



US00D930358S

(12) **United States Design Patent** (10) **Patent No.:** **US D930,358 S**
Sakai (45) **Date of Patent:** **** Sep. 14, 2021**

(54) **CASE FOR TOY BEADS**

(71) Applicant: **EPOCH COMPANY LTD**, Tokyo (JP)
(72) Inventor: **Ryo Sakai**, Tokyo (JP)
(73) Assignee: **EPOCH COMPANY, LTD**, Tokyo (JP)
(**) Term: **15 Years**

(21) Appl. No.: **29/708,115**
(22) Filed: **Oct. 3, 2019**

(30) **Foreign Application Priority Data**

Apr. 3, 2019 (JP) 2019-007260

(51) **LOC (13) Cl.** **03-01**

(52) **U.S. Cl.**
USPC **D3/276; D3/302**

(58) **Field of Classification Search**

USPC D3/20, 24, 25, 274, 276, 291, 302, 905,
D3/294, 201, 203.1, 203.2, 273, 295, 298,
D3/318, 901, 902, 903, 217, 271.1, 304,
D3/307; D9/669, 661, 664, 653, 600
CPC A45F 3/48; B65D 50/04; A45C 2011/001;
A45C 2011/003

See application file for complete search history.

(56) **References Cited**

U.S. PATENT DOCUMENTS

D438,788 S * 3/2001 Rigel D9/669
D813,544 S * 3/2018 Wang D3/305
D875,545 S * 2/2020 Bagramyan D9/669
D883,669 S * 5/2020 Sakai D3/294
D915,067 S * 4/2021 Sakai D3/271.1
D915,772 S * 4/2021 Sakai D3/313
D915,902 S * 4/2021 Mastronardi D9/669

OTHER PUBLICATIONS

Amazon.co.jp, "Aqua Beads Star Beads Debut Set", First on sale Jan. 28, 2020. (<https://www.amazon.co.jp/Aqua-Beads-Star-Debut-Set/dp/B0846CT5K5>) (Year: 2020).*
Amazon, "Aquabeads Super Mario Creation Cube . . .", First on sale Jan. 15, 2021. (<https://www.amazon.com/Aquabeads-Creation-Complete-Crafts-Children/dp/B08RB1RCHT>) (Year: 2021).*

* cited by examiner

Primary Examiner — April Rivas

(74) *Attorney, Agent, or Firm* — Fitzgerald IP Law; John K Fitzgerald, Esq.

(57) **CLAIM**

The ornamental design for a case for toy beads, as shown and described.

DESCRIPTION

FIG. 1 is a perspective view of portions of the front, top, and right side of a case for toy beads showing my new design; FIG. 2 is a perspective view of portions of the rear, bottom, and left side thereof;

FIG. 3 is a front view thereof;

FIG. 4 is a rear view thereof;

FIG. 5 is a top view thereof;

FIG. 6 is a bottom view thereof;

FIG. 7 is a right side view thereof;

FIG. 8 is a left side view thereof; and,

FIG. 9 is a perspective view of the case for toy beads in a state that a lid is detached from the case.

The broken lines shown are included for the purpose of illustrating portions of the article which form no part of the claimed design. The case is shown without the lid in FIG. 9 for convenience of illustration.

1 Claim, 9 Drawing Sheets

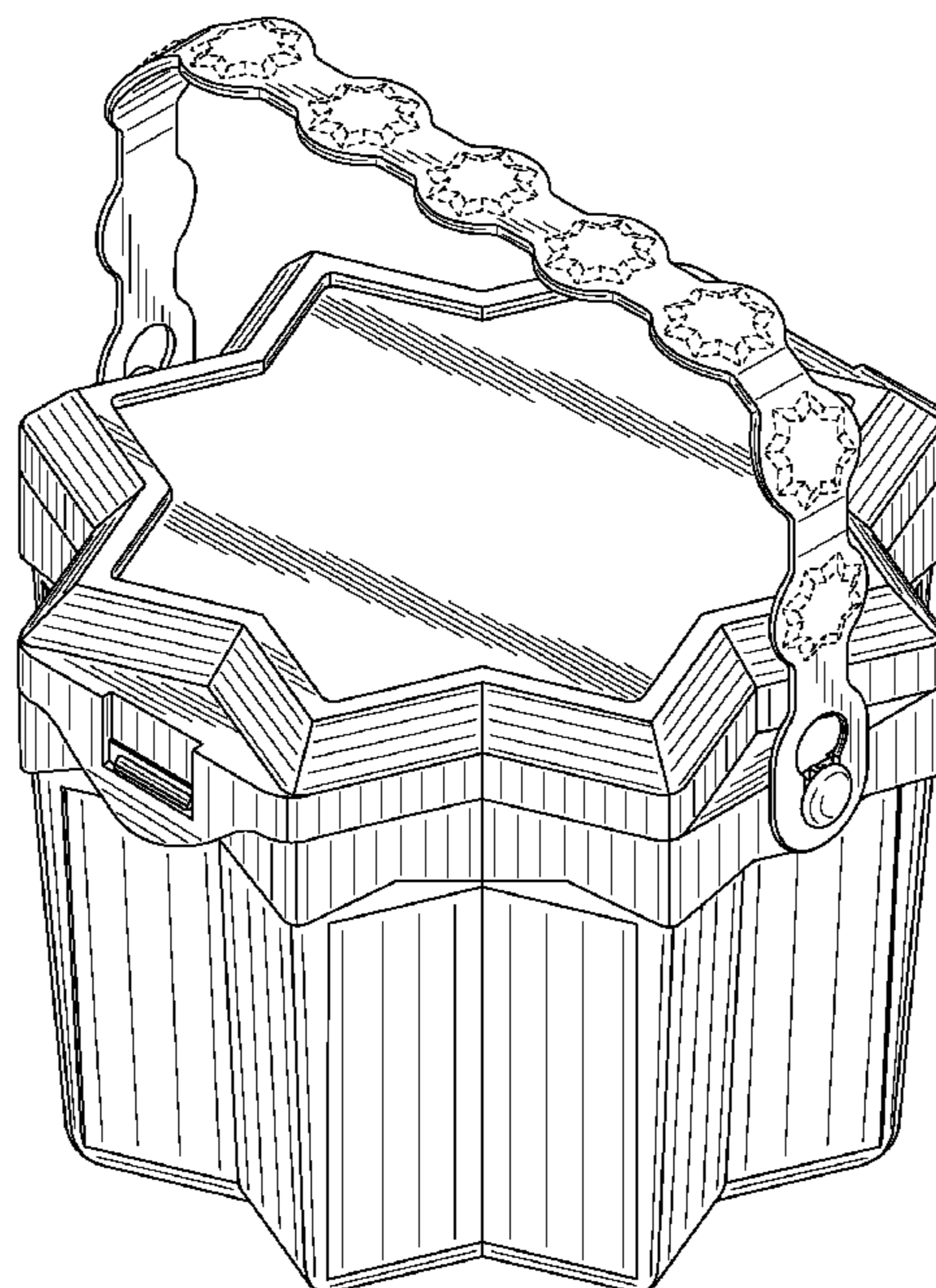


FIG. 1

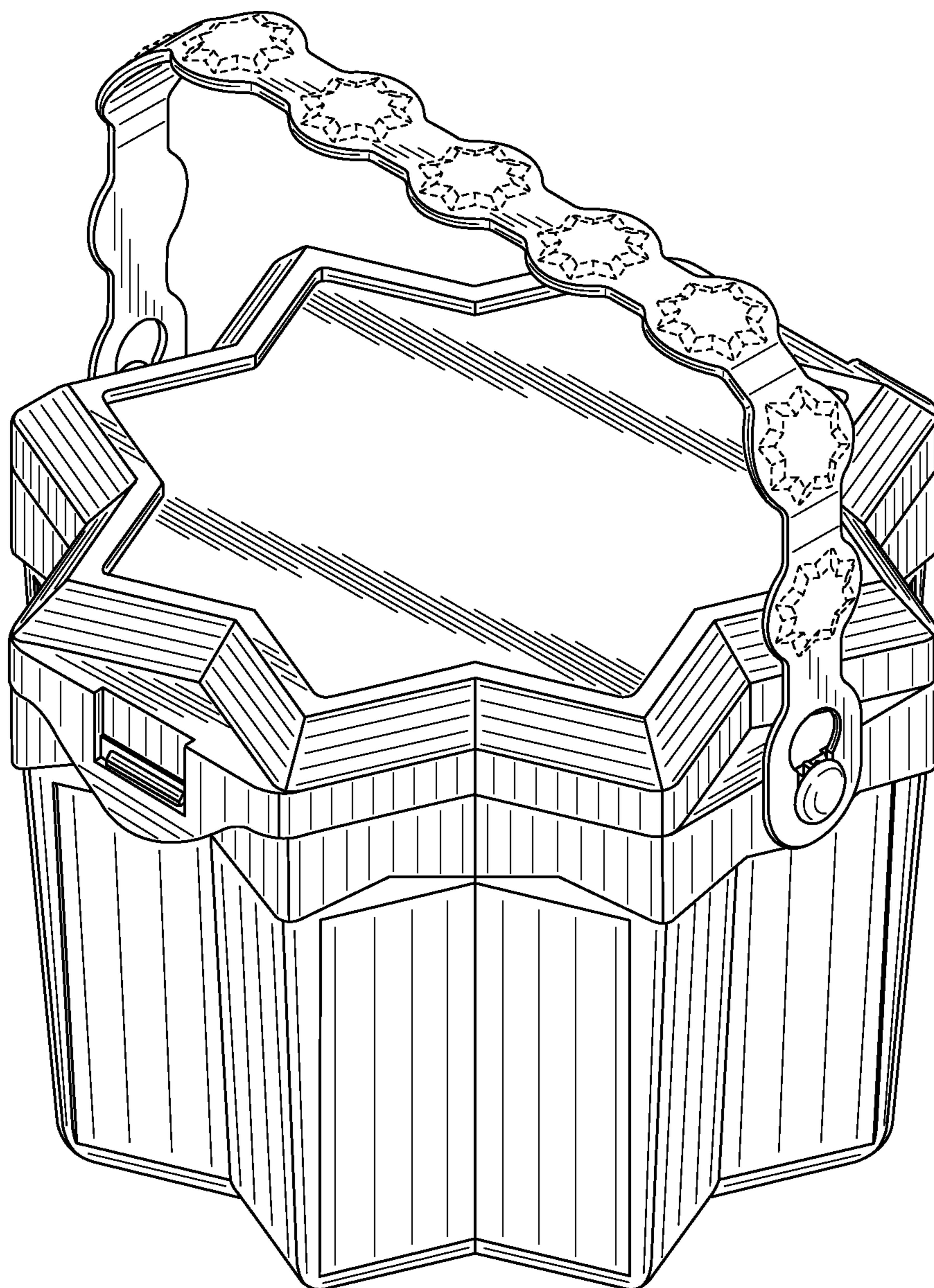


FIG. 2

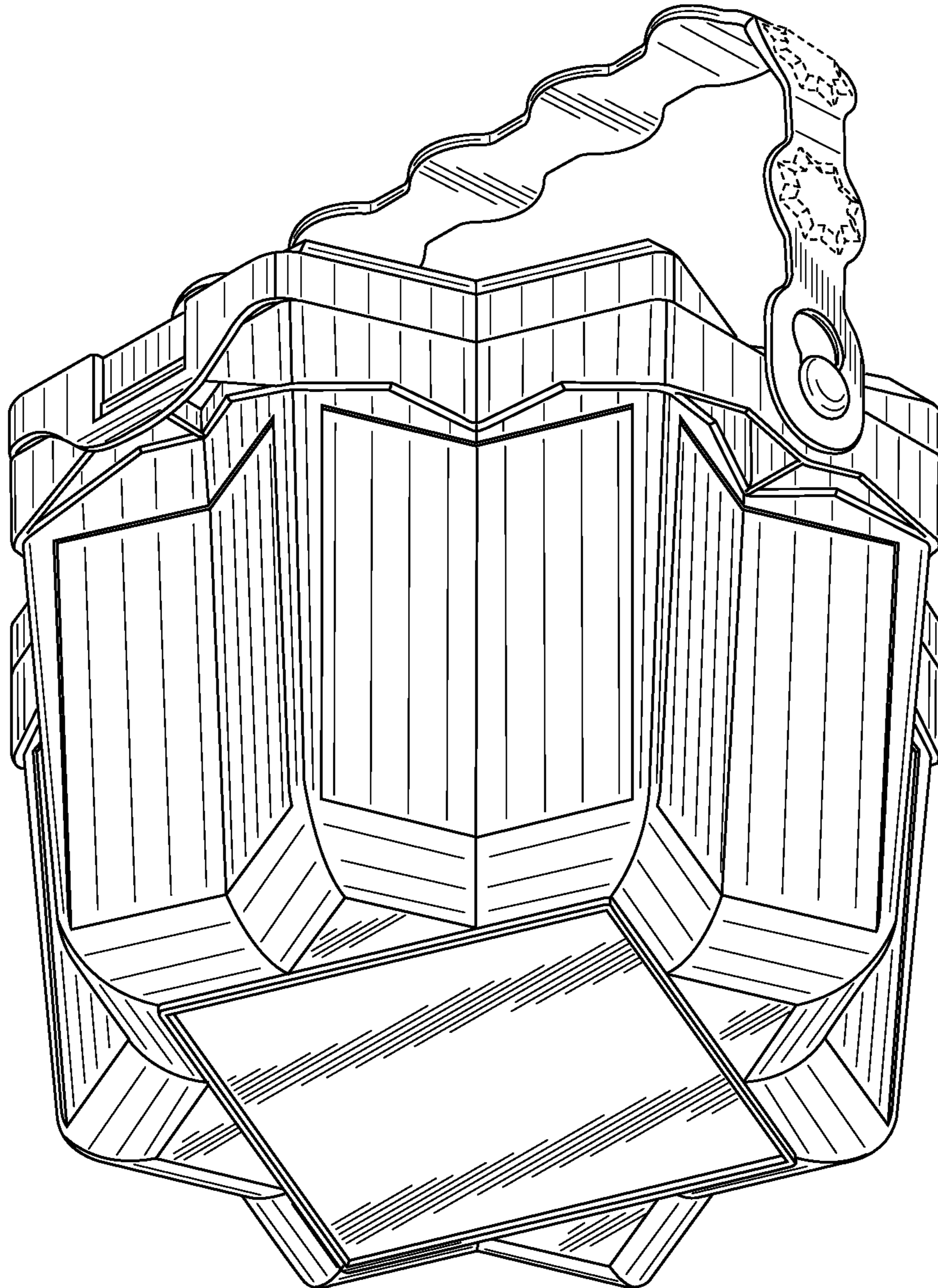


FIG. 3

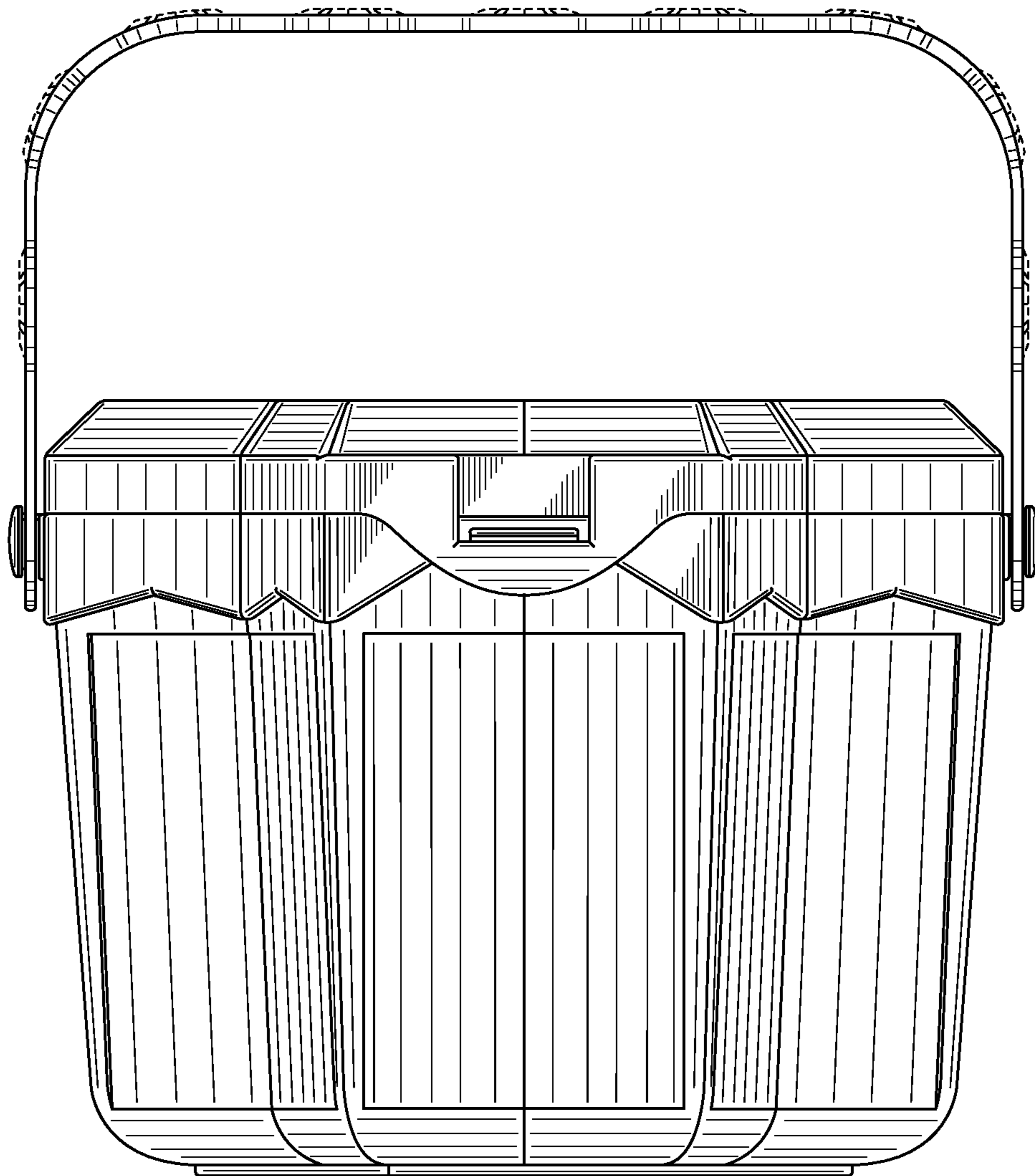


FIG. 4

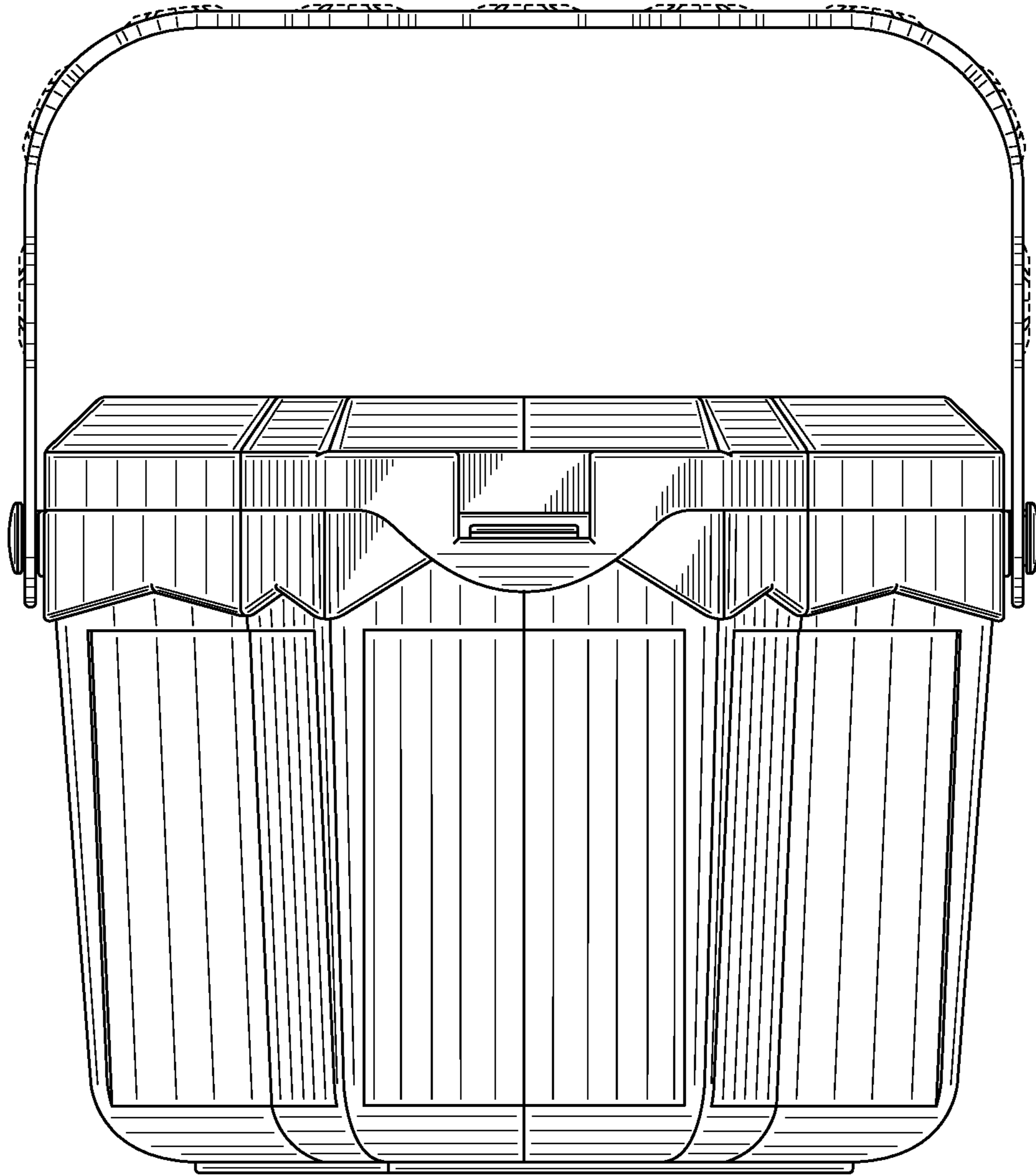


FIG. 5

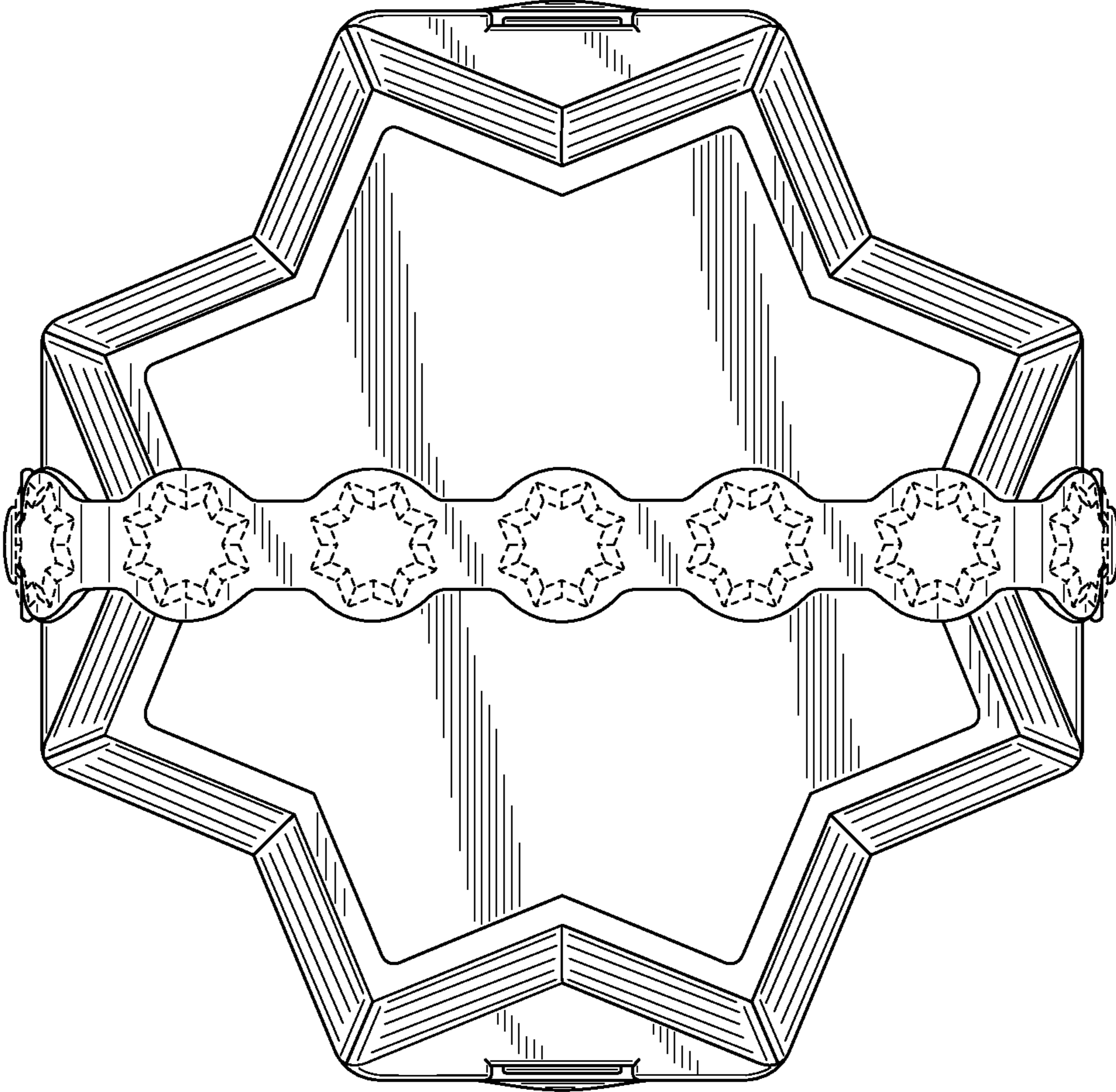


FIG. 6

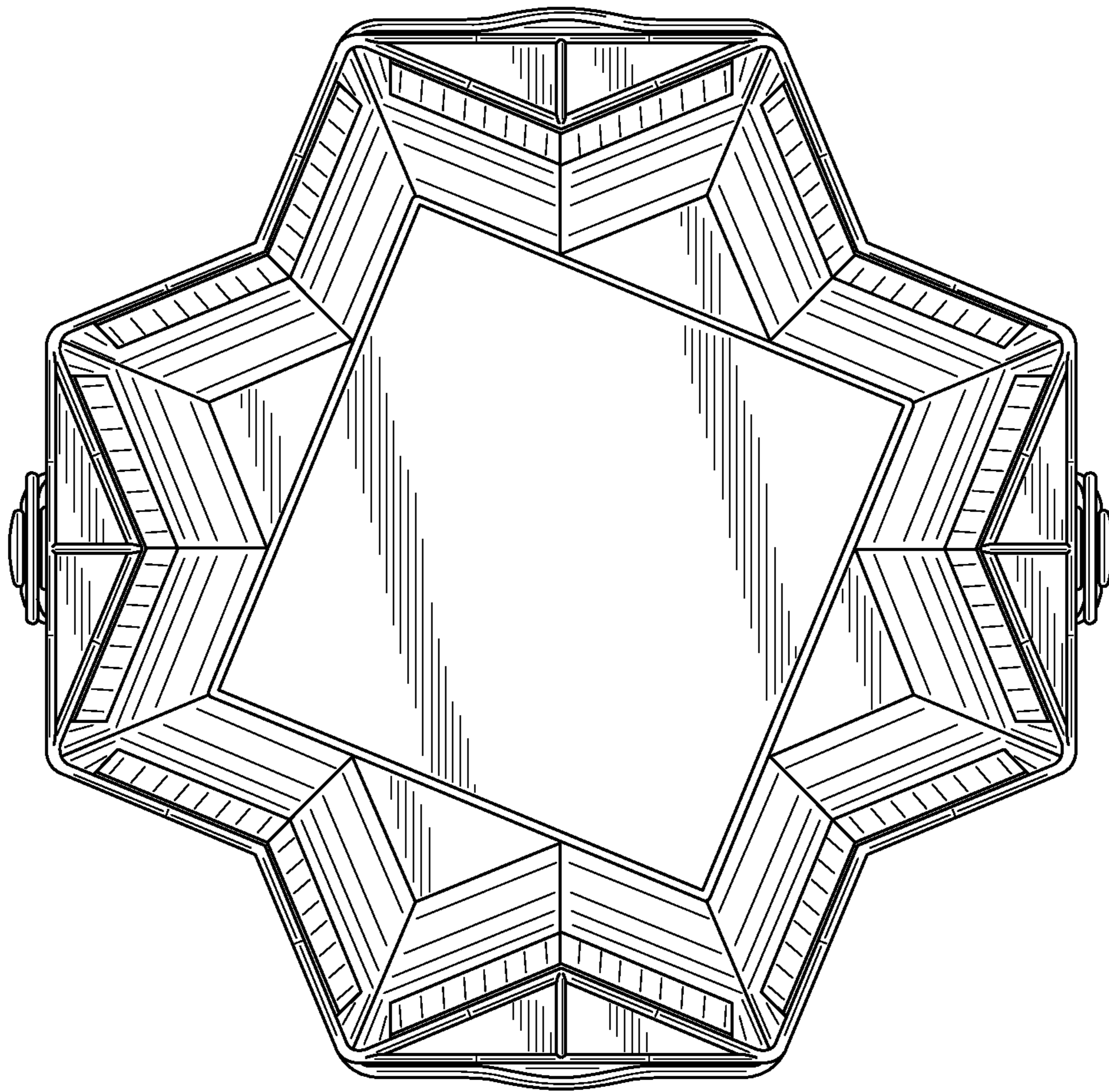


FIG. 7

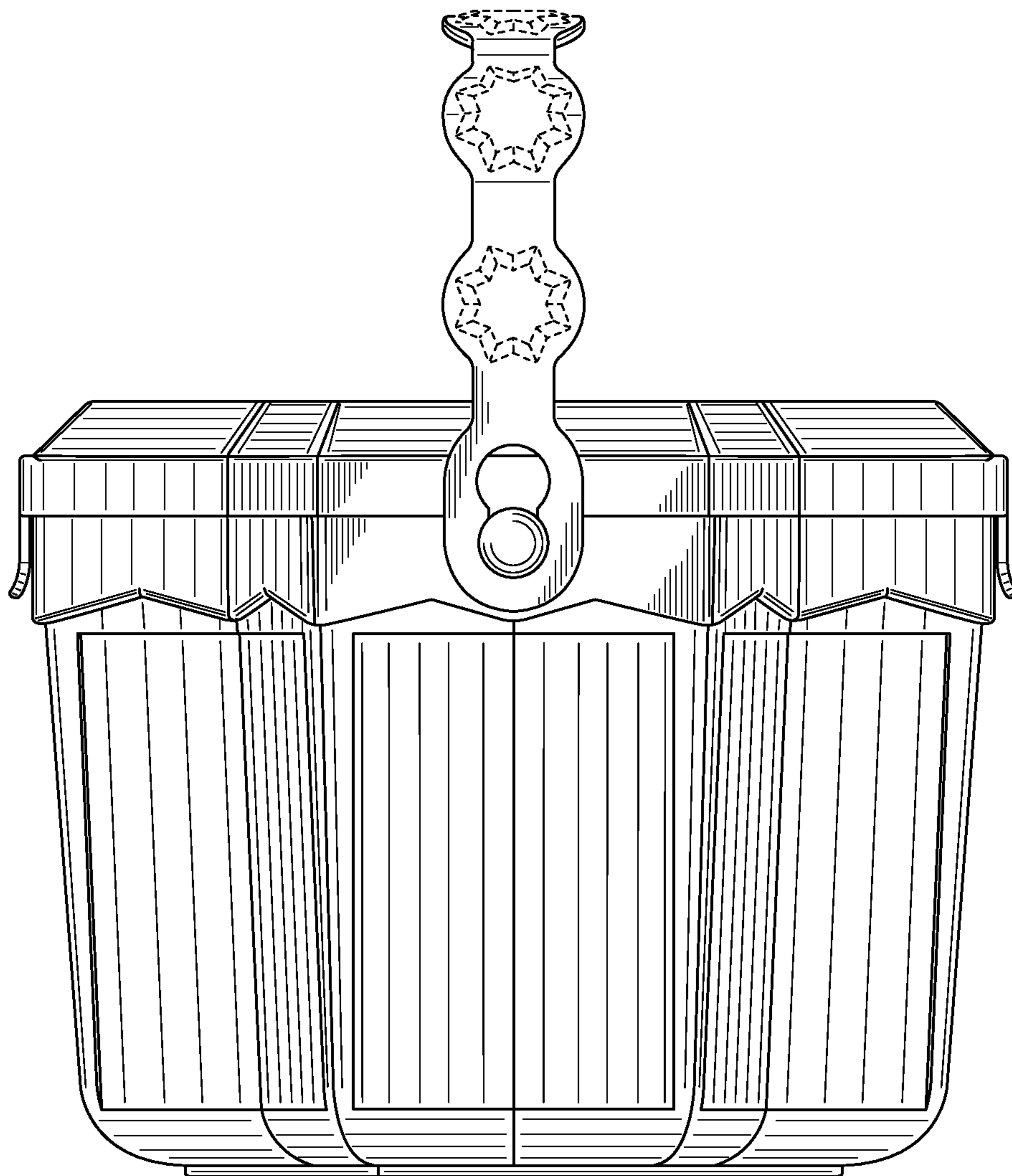


FIG. 8

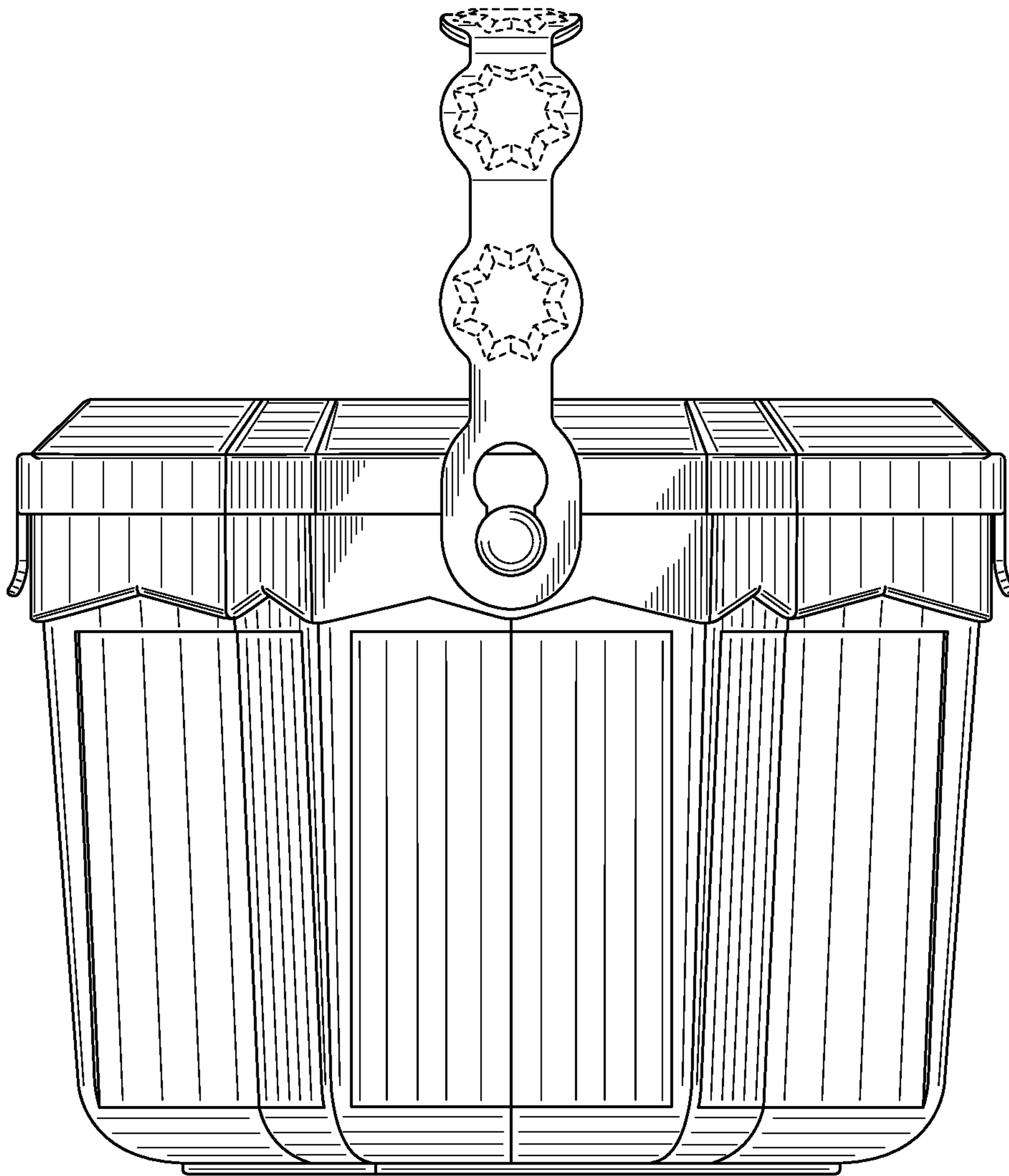


FIG. 9

