



US00D930356S

(12) **United States Design Patent** (10) **Patent No.:** **US D930,356 S**  
**Eremita** (45) **Date of Patent:** **\*\* \*Sep. 14, 2021**

(54) **MODIFIED PHONE CLIP**  
(71) Applicant: **Brian Eremita**, Sylmar, CA (US)  
(72) Inventor: **Brian Eremita**, Sylmar, CA (US)  
(\* ) Notice: This patent is subject to a terminal disclaimer.  
(\*\* ) Term: **15 Years**  
(21) Appl. No.: **29/696,711**  
(22) Filed: **Jun. 30, 2019**  
(51) **LOC (13) Cl.** ..... **03-01**  
(52) **U.S. Cl.**  
USPC ..... **D3/218**  
(58) **Field of Classification Search**  
USPC ..... D3/221, 218, 229; 224/148.8, 191,  
224/196-197, 272, 669, 930; 24/3.12,  
24/580.1, 580.11, 578.13, 664; 455/575.1  
CPC .... A45F 5/02; A45F 5/021; A45F 2200/0516;  
A41F 1/10; A44B 17/0011; H04B 1/385;  
H04B 2001/3855; Y10T 24/45812  
See application file for complete search history.

(56) **References Cited**  
U.S. PATENT DOCUMENTS  
1,172,703 A \* 2/1916 Grooms ..... A44B 17/0011  
24/669  
3,878,589 A \* 4/1975 Schaefer ..... A45F 5/021  
24/669  
5,014,892 A \* 5/1991 Copeland ..... A45F 5/02  
224/242  
5,347,653 A \* 9/1994 Flynn ..... G06F 16/219  
707/695  
5,839,173 A \* 11/1998 Otrusina ..... A45F 5/02  
24/595.1  
6,006,969 A \* 12/1999 Kim ..... A45F 5/021  
224/197  
6,098,858 A \* 8/2000 Laugesen ..... A45F 5/02  
224/197

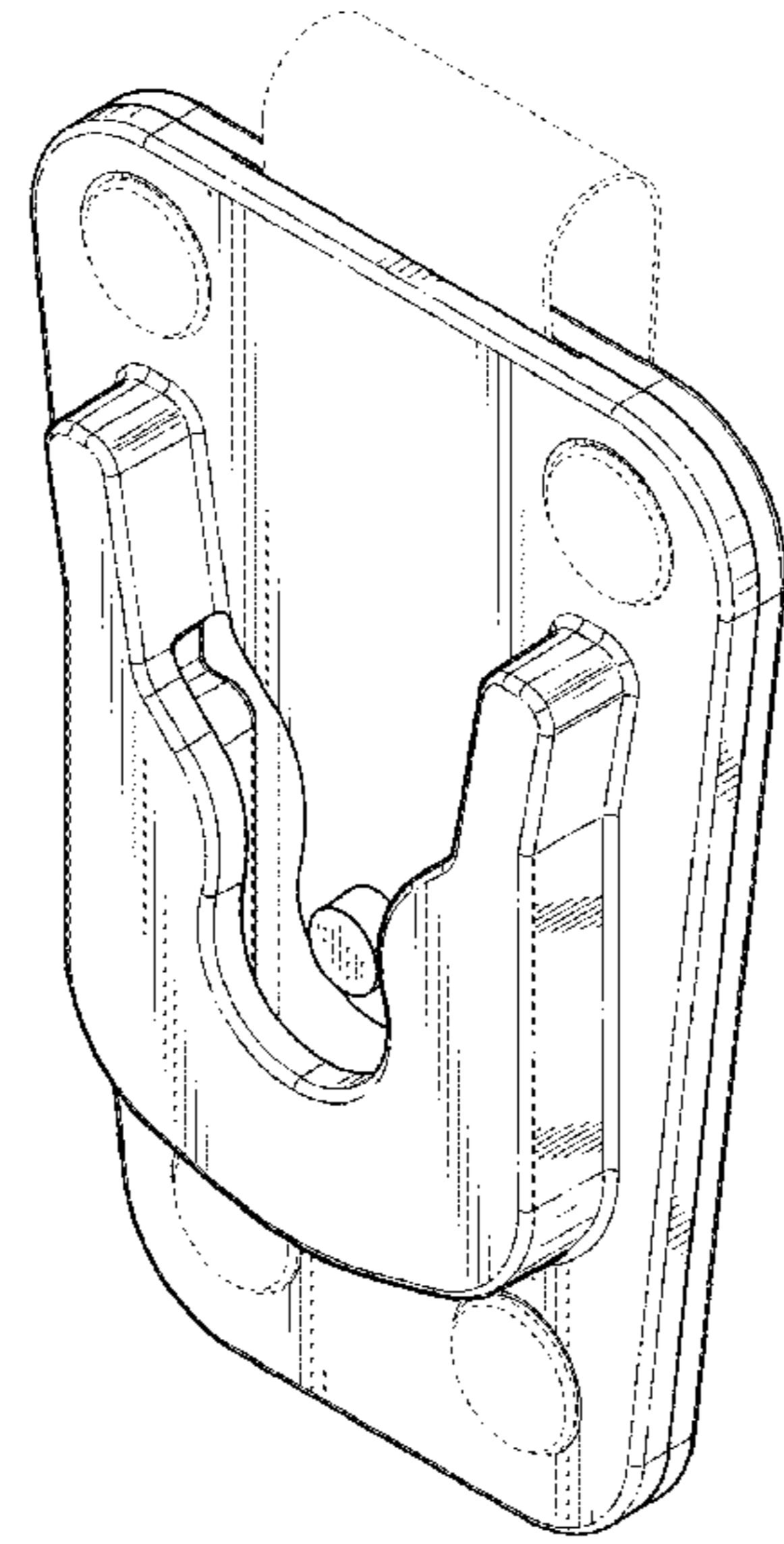
D433,563 S \* 11/2000 Capanna ..... D3/215  
6,286,737 B1 \* 9/2001 Whitley ..... H04M 1/04  
224/196  
D474,594 S 5/2003 Casparian  
D548,960 S \* 8/2007 Tages ..... D3/218  
7,624,901 B1 \* 12/2009 Mozes ..... A45F 5/02  
206/305

(Continued)  
*Primary Examiner* — Catherine R Oliver-Garcia  
(74) *Attorney, Agent, or Firm* — Ross Brandborg

(57) **CLAIM**  
I claim the ornamental design for a modified phone clip, as shown and described.

**DESCRIPTION**  
FIG. 1 is an exploded front perspective view of the modified phone clip with rear plate and front clip plate; FIG. 2 is a perspective view shown assembled; FIG. 3 is a rear perspective view shown exploded; FIG. 4 is a front elevation view thereof; FIG. 5 is a left elevation view thereof; FIG. 6 is a right elevation view thereof; FIG. 7 is a top plan view thereof; FIG. 8 is a bottom plan view thereof; FIG. 9 is a front elevation view of the inner side of the rear plate disclosed in FIG. 1. FIG. 10 is a perspective view of the front clip plate thereof; FIG. 11 is a rear perspective view of the front clip plate thereof; FIG. 12 is a rear elevation view of the front clip plate thereof; FIG. 13 is a front perspective view of the inner rear plate thereof; FIG. 14 is a rear perspective view of the outer side of the rear plate thereof; FIG. 15 is a rear elevation view of the outer rear plate thereof; and, FIG. 16 is a perspective view of the design shown in use.

**1 Claim, 16 Drawing Sheets**



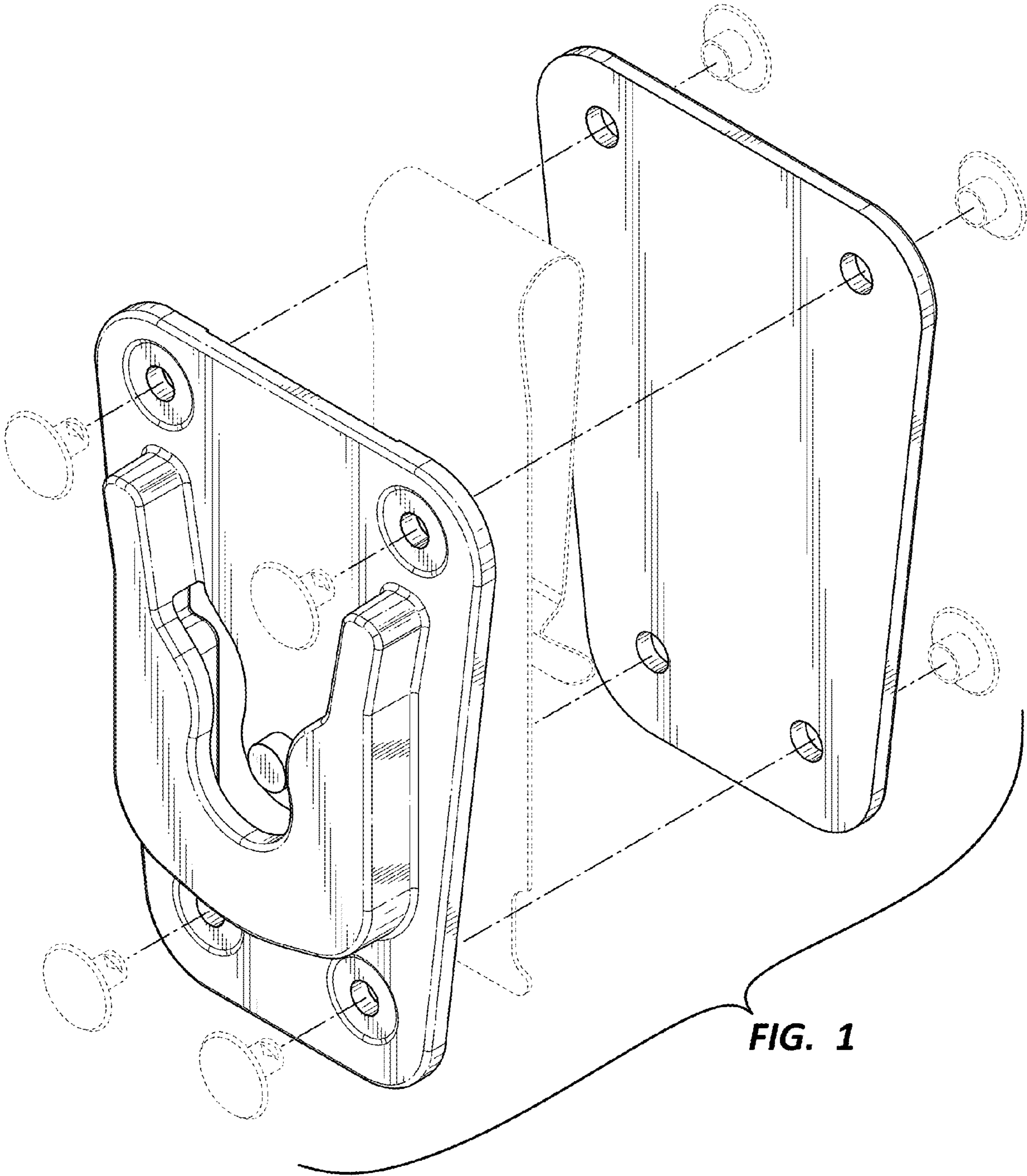
(56)

**References Cited**

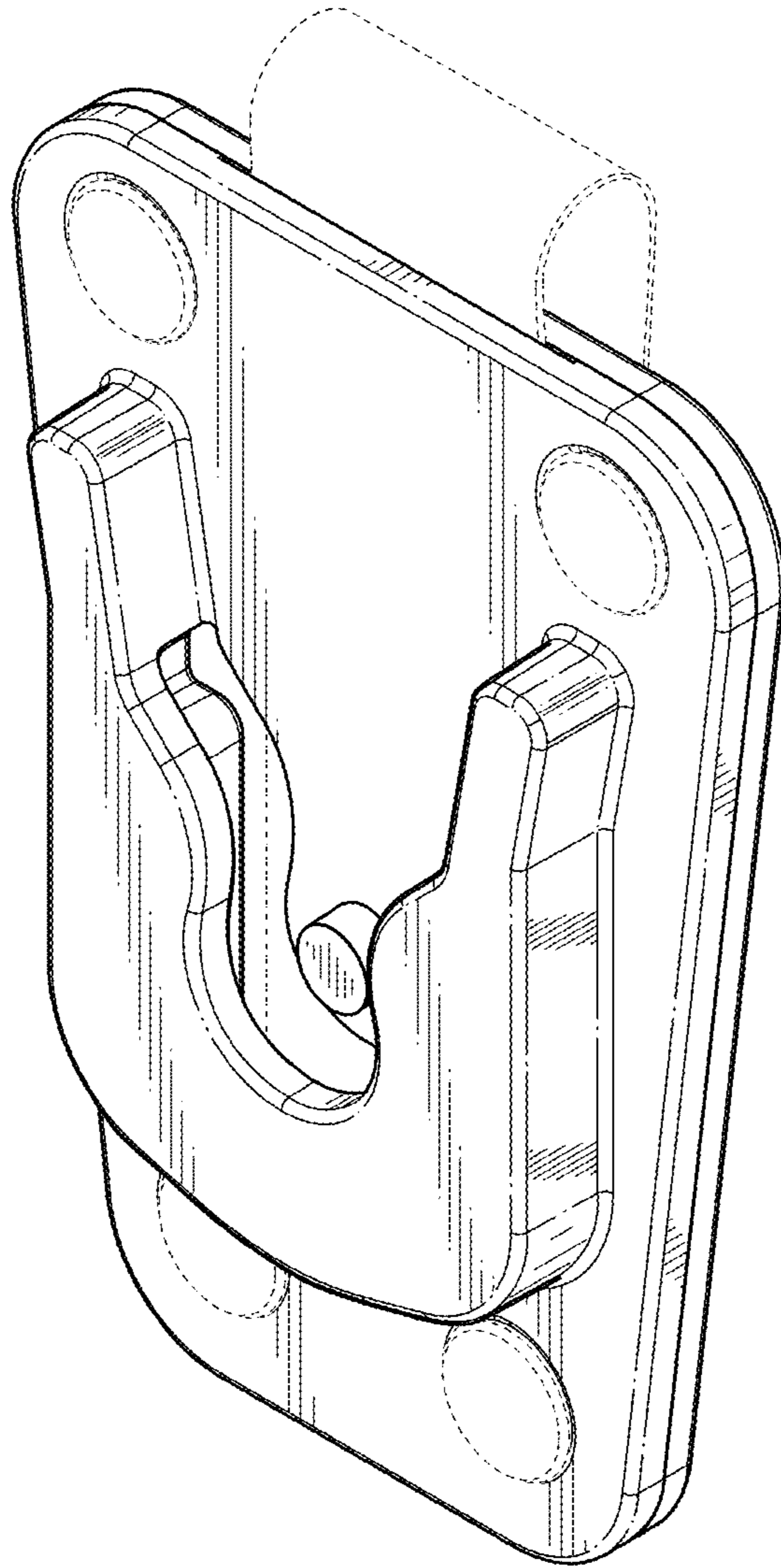
U.S. PATENT DOCUMENTS

D635,354 S *	4/2011	Uchida .....	D3/218
D643,210 S *	8/2011	Littleton .....	D3/218
8,141,210 B2 *	3/2012	Colorado .....	A45F 5/021
			24/3.12
D685,571 S *	7/2013	Chang .....	D3/218
D755,764 S	5/2016	Dong	
D807,634 S *	1/2018	Eremita .....	D3/215
D877,492 S *	3/2020	Eynav .....	D3/215
2002/0132592 A1 *	9/2002	Fan .....	A45F 5/02
			455/575.1
2003/0098323 A1 *	5/2003	Taylor .....	A45F 5/02
			224/197
2006/0237494 A1	10/2006	Fichera	
2008/0078792 A1 *	4/2008	Tages .....	A45F 5/02
			224/271
2008/0314941 A1 *	12/2008	Knych .....	H04B 1/385
			224/191
2019/0104830 A1 *	4/2019	Cortellacci .....	A45F 5/00

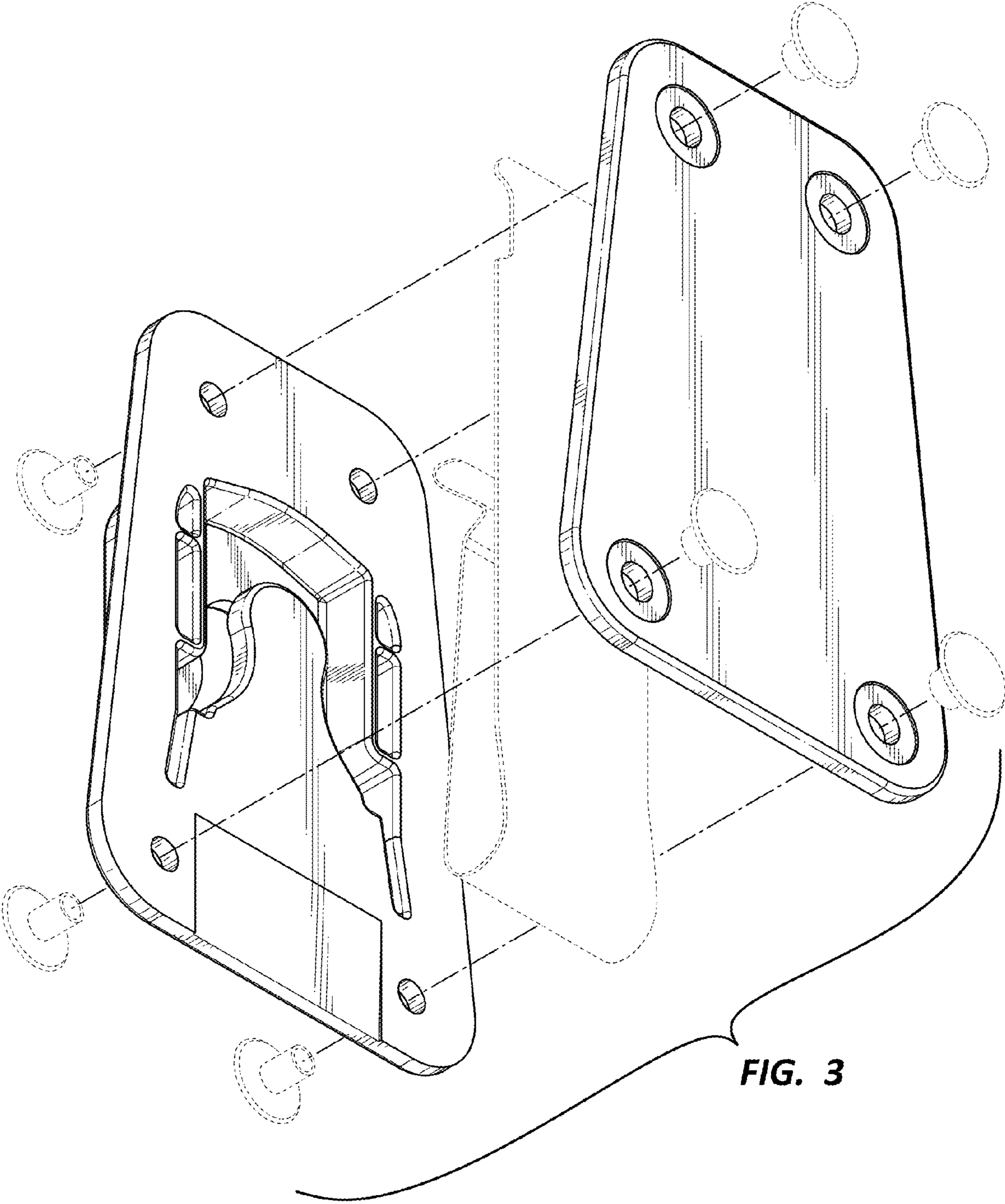
\* cited by examiner



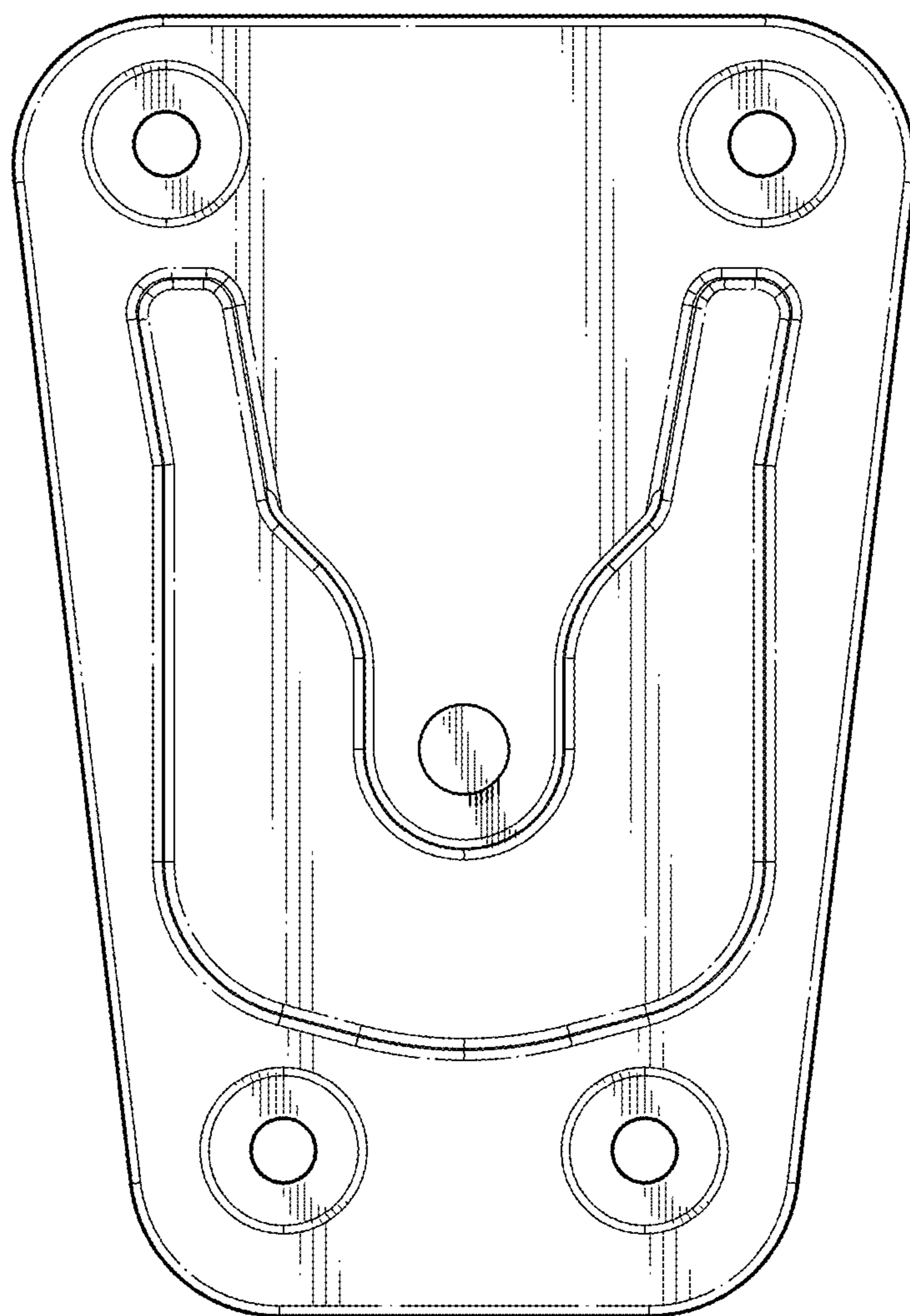
**FIG. 1**



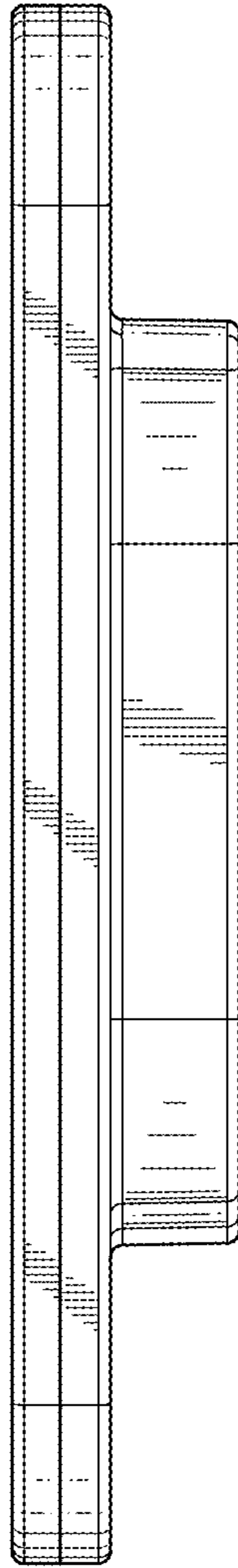
**FIG. 2**



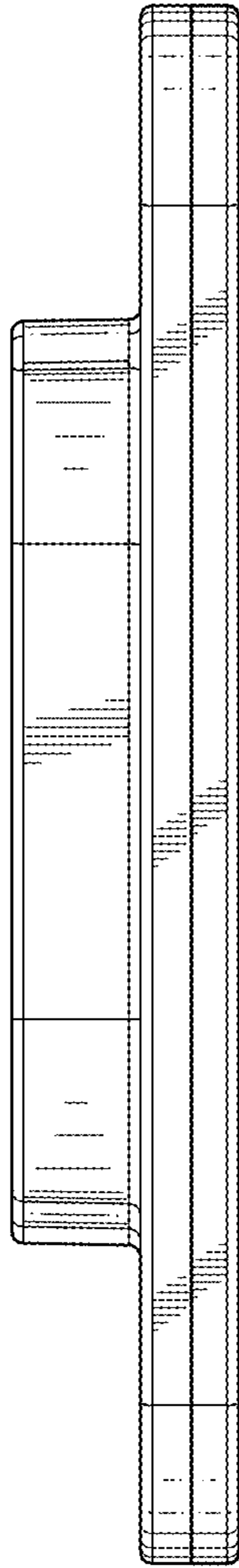
**FIG. 3**



**FIG. 4**

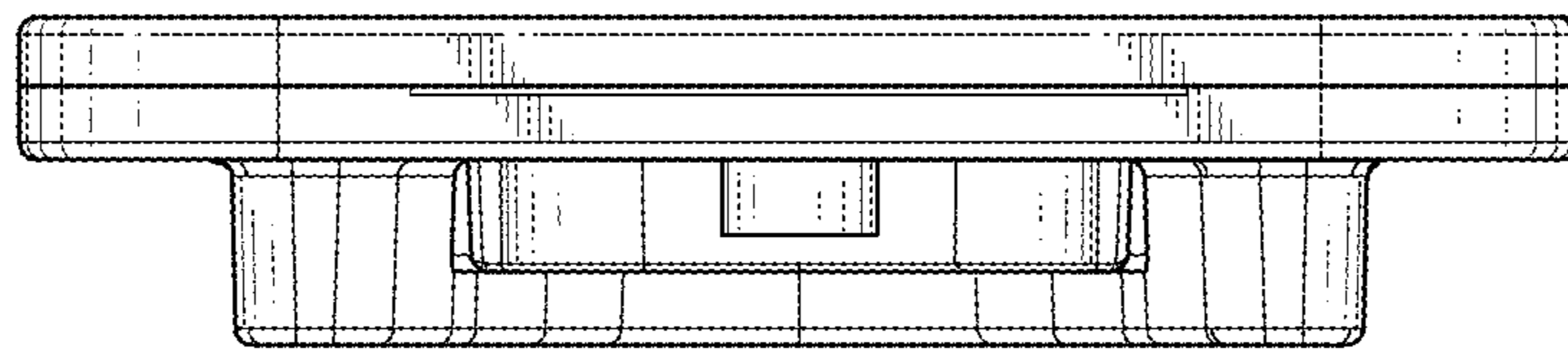


**FIG. 5**

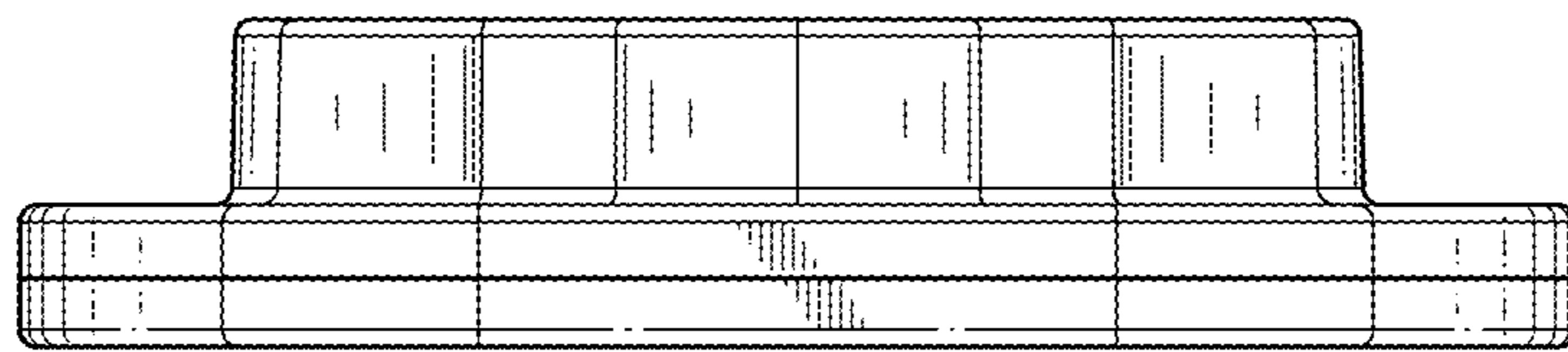


**FIG. 6**

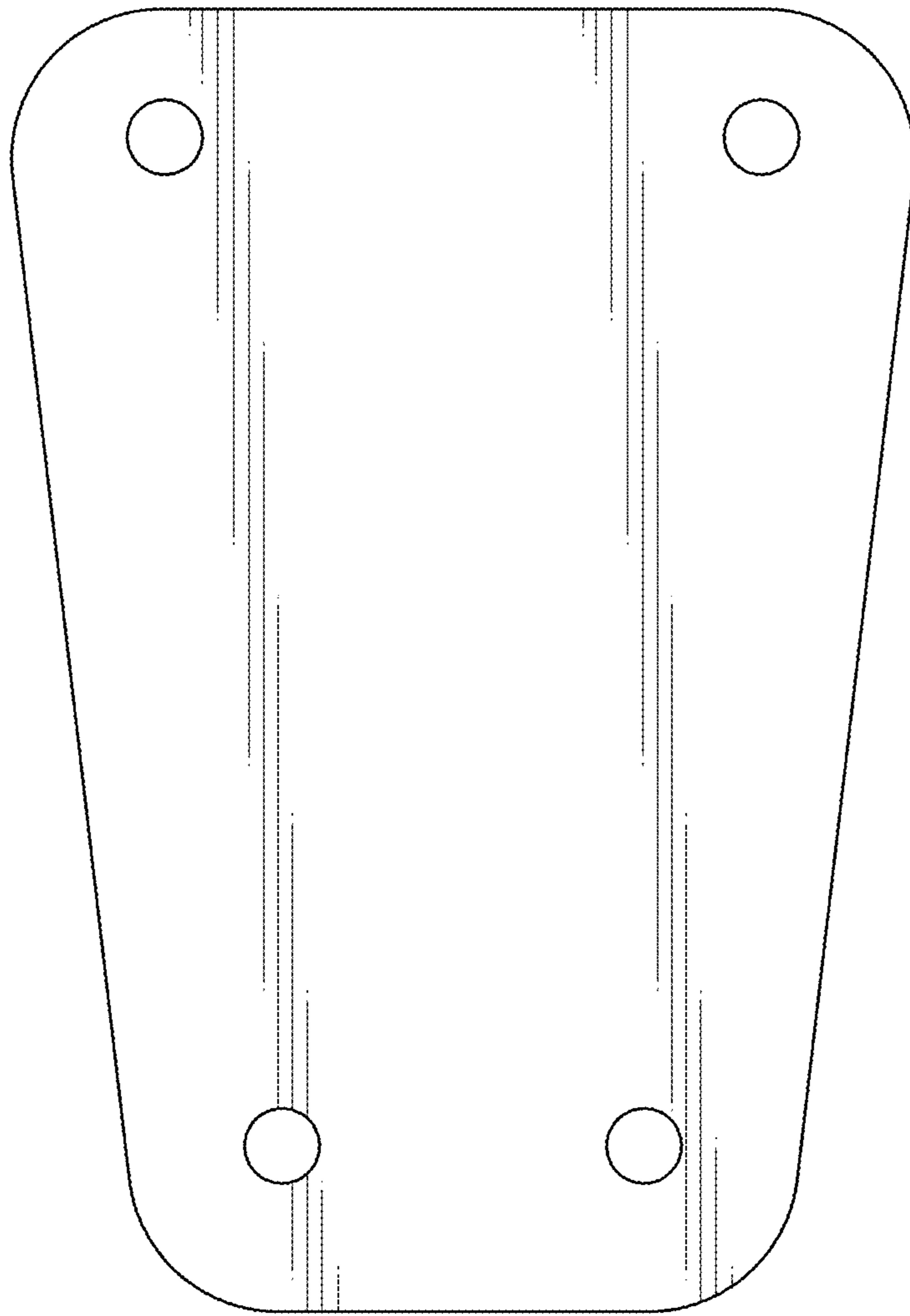




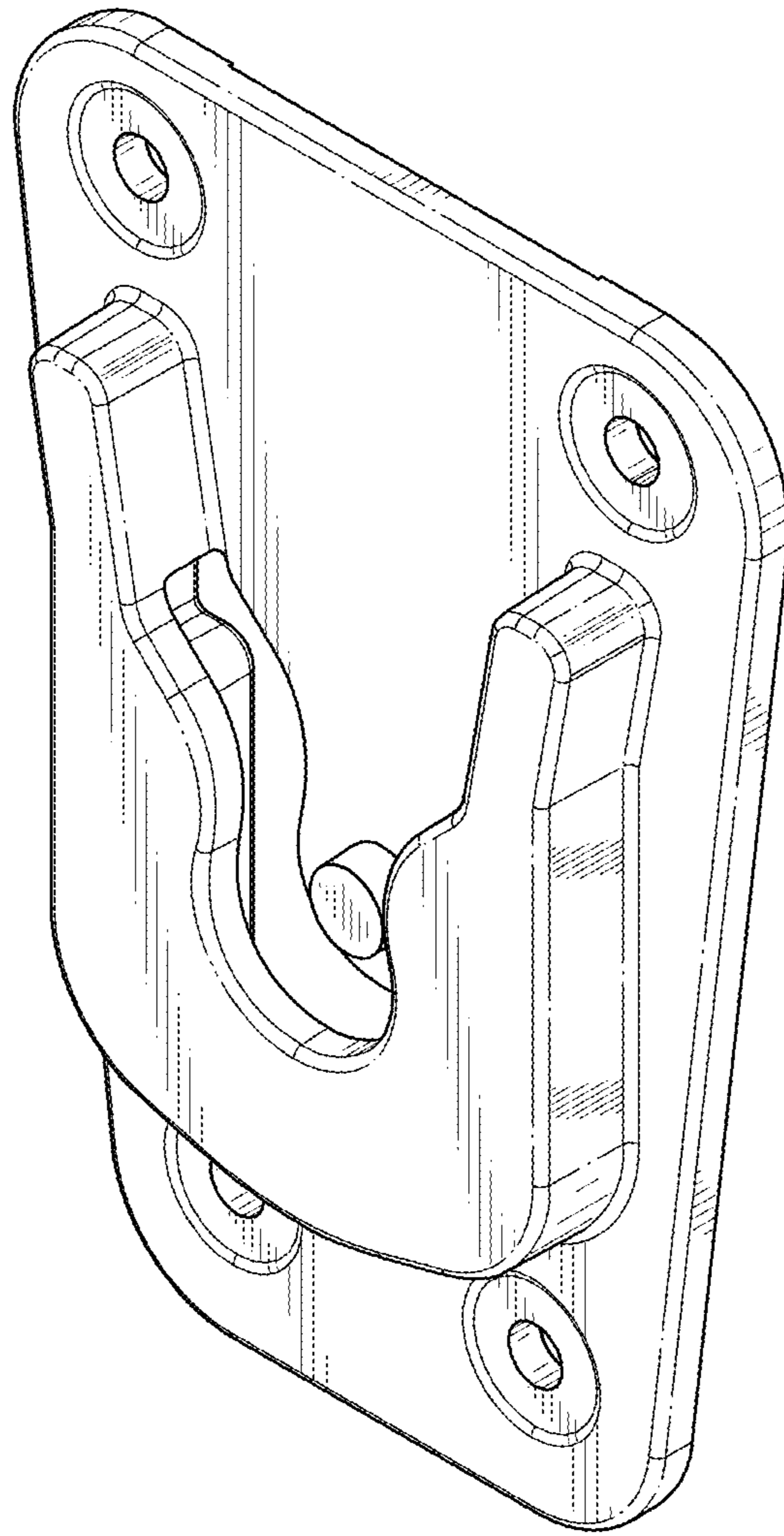
**FIG. 7**



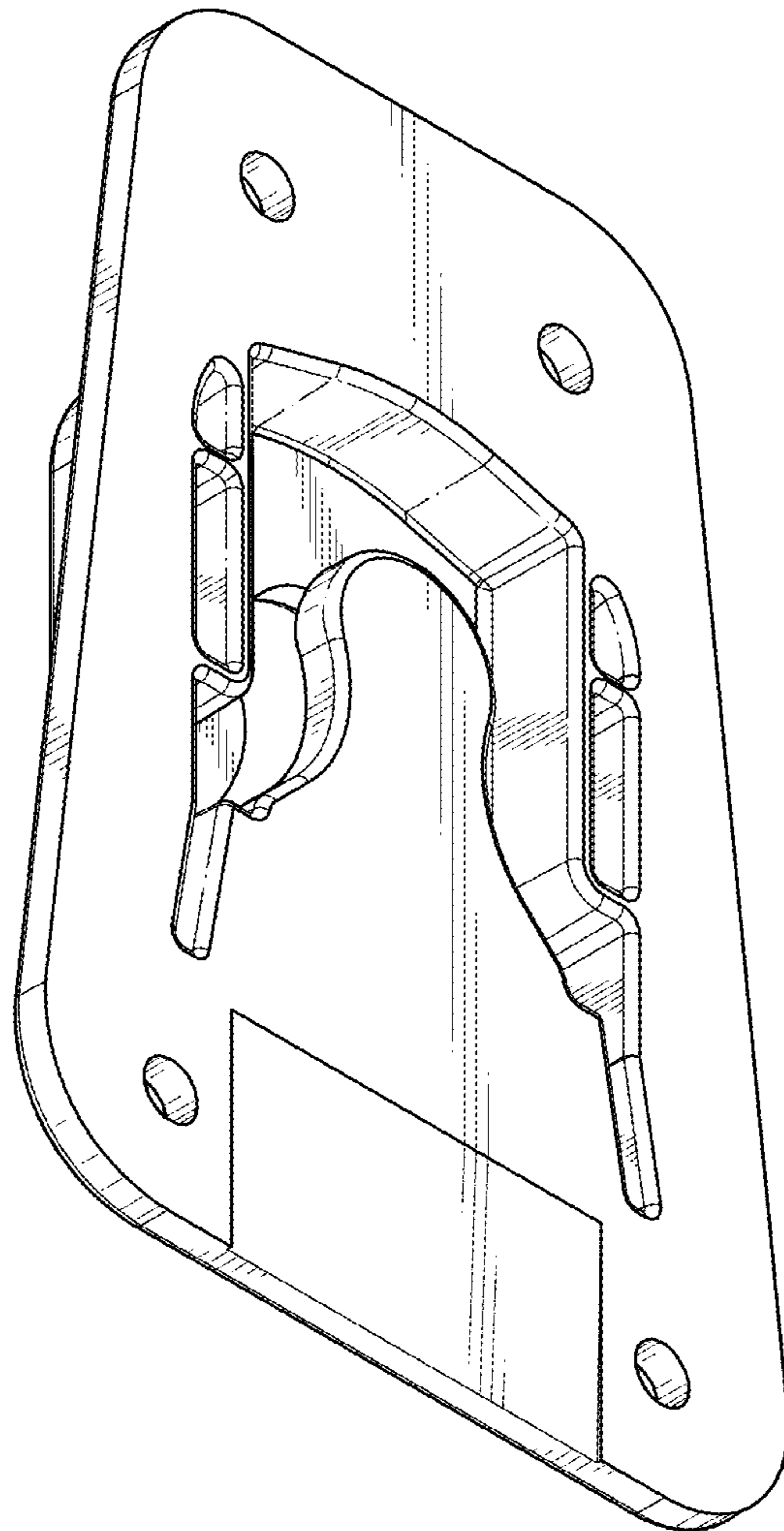
**FIG. 8**



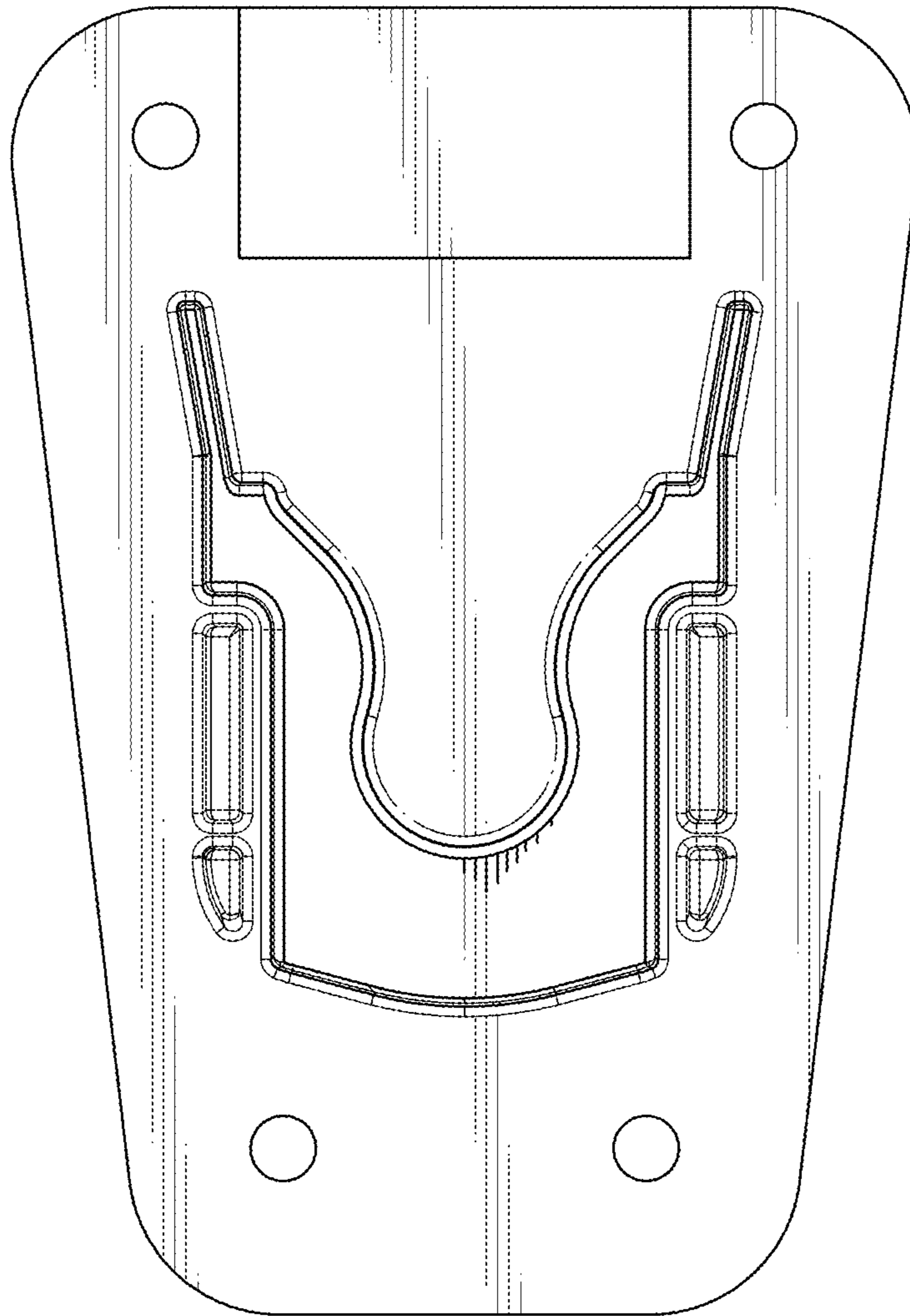
**FIG. 9**



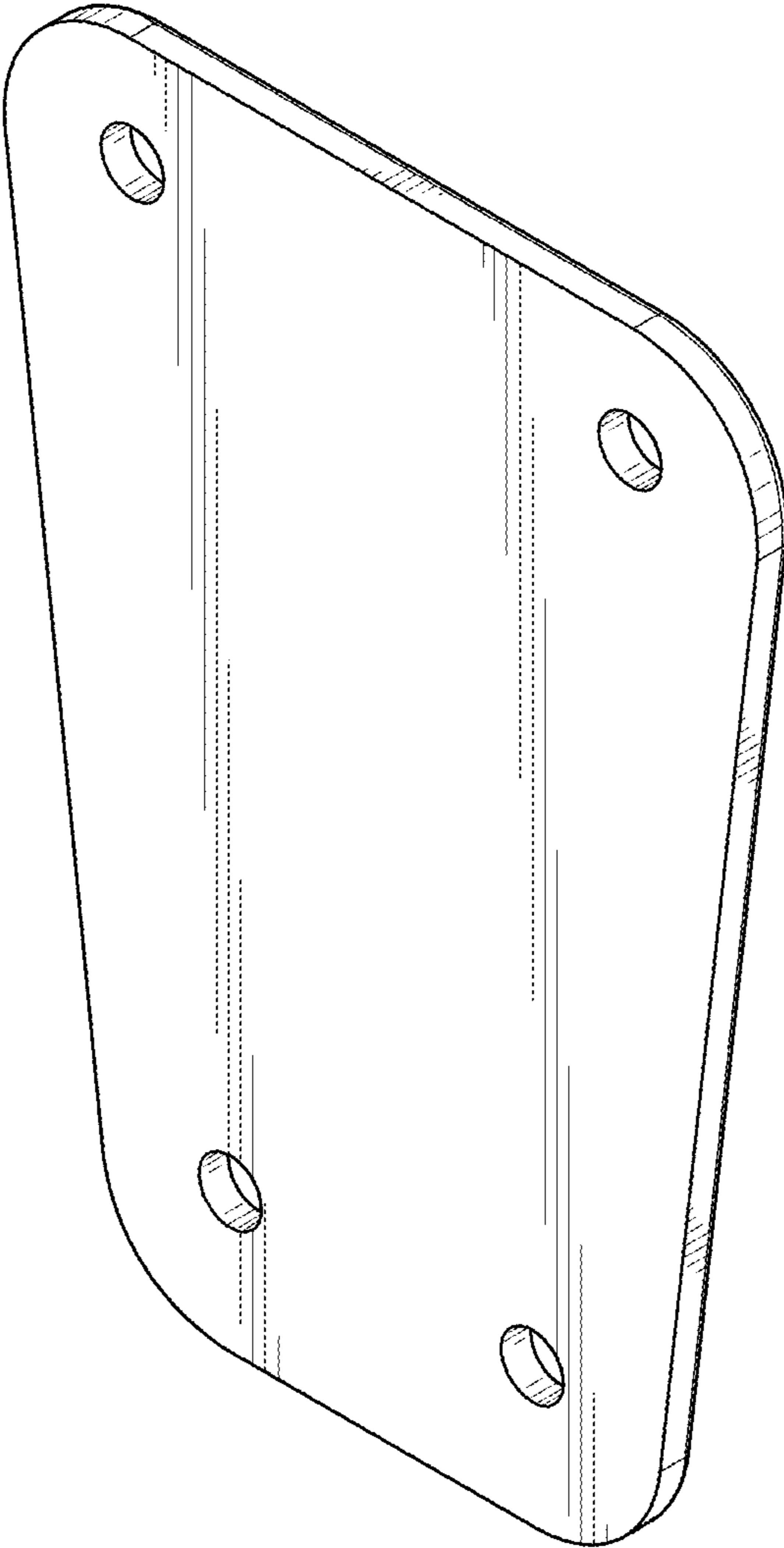
**FIG. 10**



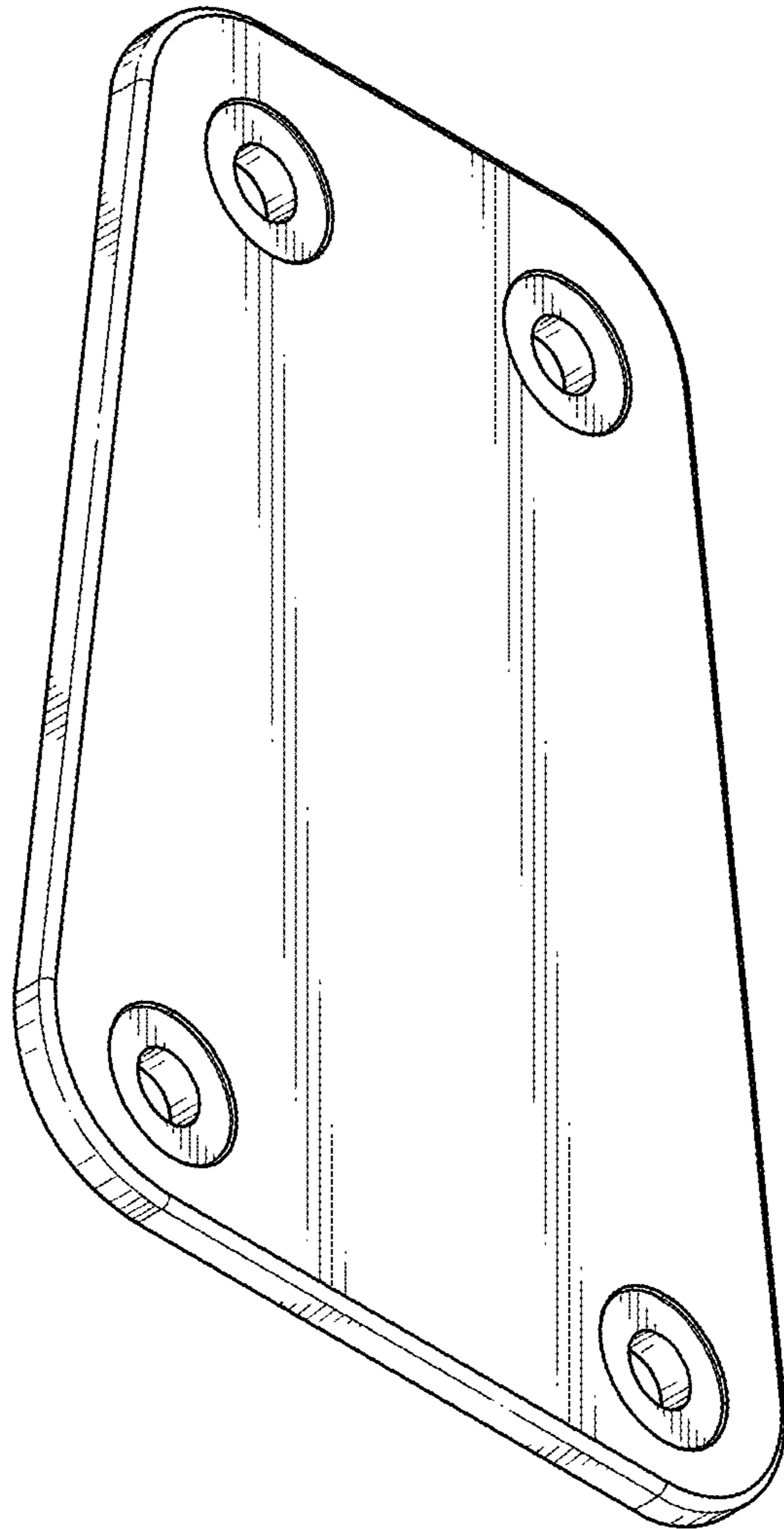
**FIG. 11**



**FIG. 12**

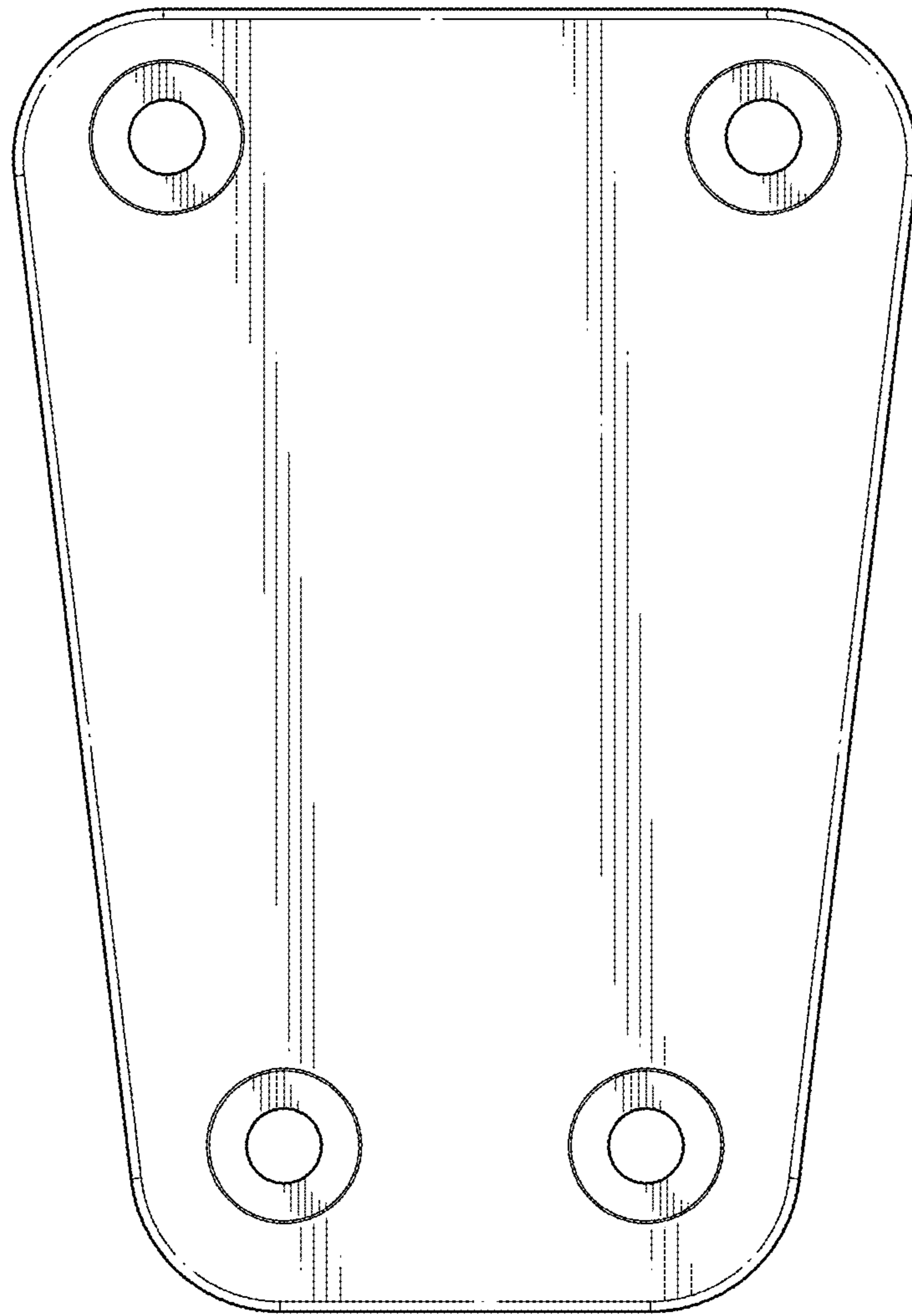


**FIG. 13**

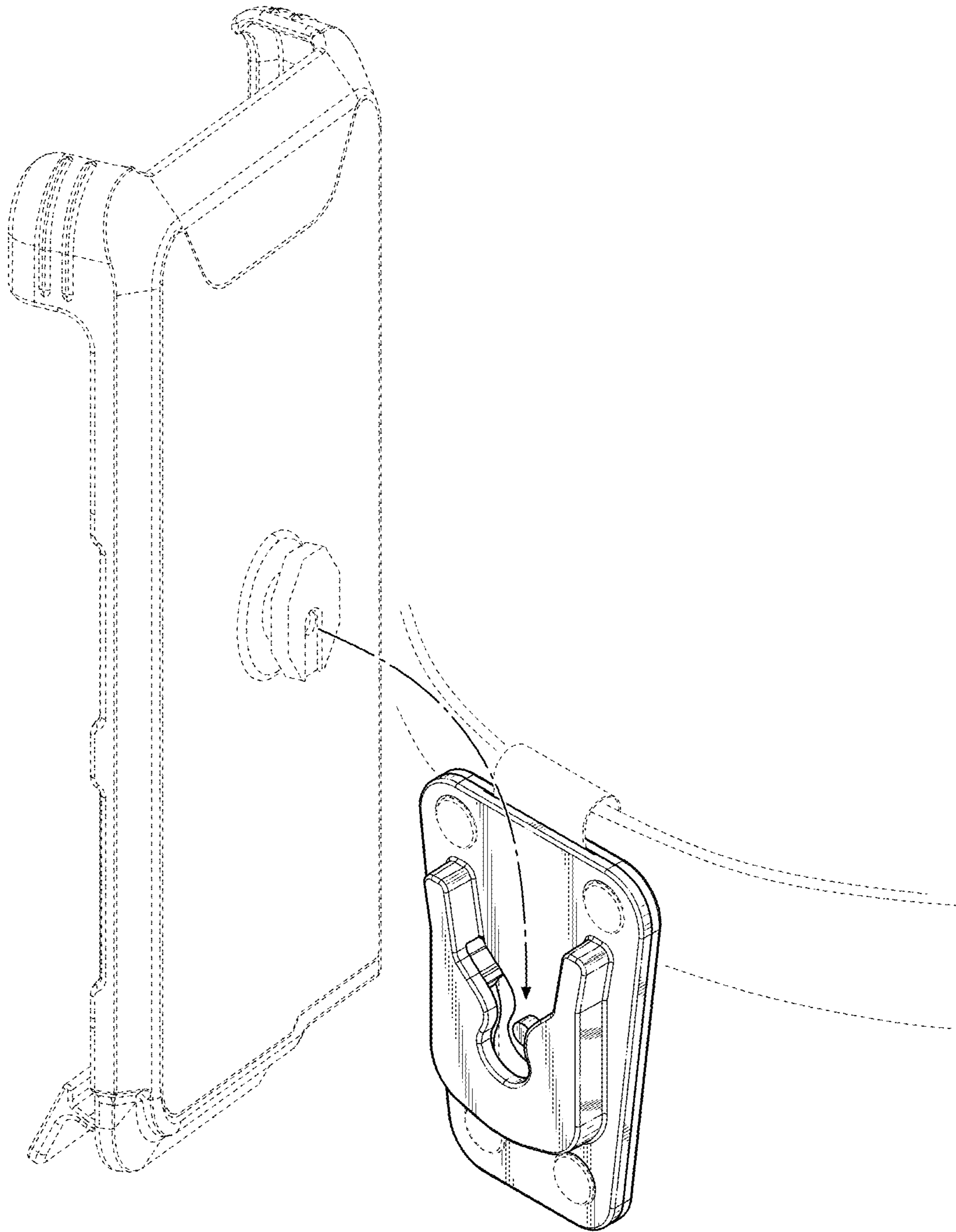


**FIG. 14**





**FIG. 15**



**FIG. 16**