



US00D930354S

(12) **United States Design Patent** (10) **Patent No.:** **US D930,354 S**
Morton et al. (45) **Date of Patent:** **** Sep. 14, 2021**

(54) **MAGNETIC KEYCHAIN**

(71) Applicant: **Magswitch Technology Worldwide
PTY LTD.**, Lafayette, CO (US)

(72) Inventors: **David Morton**, Boulder, CO (US);
Yiwei Yan, Broomfield, CO (US)

(73) Assignee: **Magswitch Technology Worldwide
PTY LTD.**, Lafayette, CO (US)

(**) Term: **15 Years**

(21) Appl. No.: **29/718,161**

(22) Filed: **Dec. 20, 2019**

(51) **LOC (13) Cl.** **03-01**

(52) **U.S. Cl.**
USPC **D3/207**

(58) **Field of Classification Search**
USPC D3/203.1, 207, 208, 209, 210, 211, 212,
D3/249; D8/34, 38, 105; D14/218
CPC ... H01H 36/00; A63B 29/02; Y10T 24/45366;
Y10T 70/873; Y10T 70/8757; Y10T
24/45319; Y10T 24/1379; Y10T
24/45026; Y10T 70/8676; Y10T 70/8703;
F16B 45/02; A44B 15/00; A44B 15/005;
A45C 11/325

See application file for complete search history.

(56) **References Cited**

U.S. PATENT DOCUMENTS

2,709,738 A * 5/1955 Walter H01H 36/00
335/53
2,992,307 A * 7/1961 Reifel H01H 50/54
335/97
3,443,043 A * 5/1969 Thormann H01H 36/004
335/205

(Continued)

OTHER PUBLICATIONS

Highlandhawker Rare Earth N52 Neodymium Pocket Keychain, announced Apr. 4, 2012 [online], [site visited Jan. 26, 2021], available from internet. URL <https://www.amazon.com/Neodymium-Pocket-Silver-Jewelry-Magnet/dp/B007RGTP92/> (Year: 2012).*

(Continued)

Primary Examiner — Kevin K Rudzinski

Assistant Examiner — Amber J Rabie

(74) *Attorney, Agent, or Firm* — Faegre Drinker Biddle & Reath LLP

(57) **CLAIM**

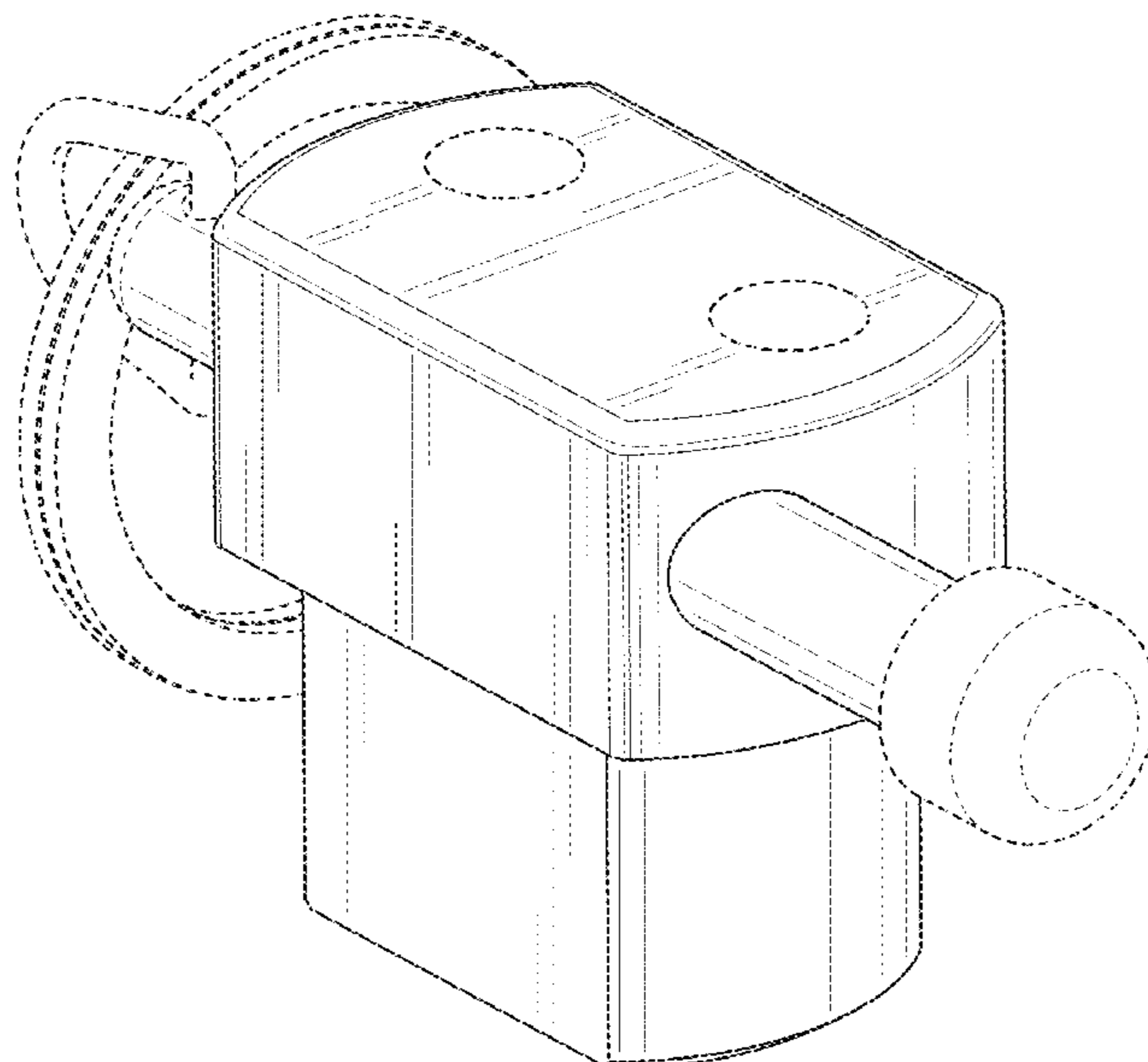
The ornamental design for a magnetic keychain, as shown and described.

DESCRIPTION

FIG. 1 is a top, front perspective view of a magnetic keychain showing our new design in a first embodiment; FIG. 2 is a bottom, rear perspective view thereof; FIG. 3 is a left side elevational view thereof; FIG. 4 is a right side elevational view thereof; FIG. 5 is a rear elevational view thereof; FIG. 6 is a front elevational view thereof; FIG. 7 is a top plan view thereof; and FIG. 8 is a bottom plan view thereof. FIG. 9 is a top, front perspective view of a magnetic keychain showing our new design in a second embodiment; FIG. 10 is a bottom, rear perspective view thereof; FIG. 11 is a left side elevational view thereof; FIG. 12 is a right side elevational view thereof; FIG. 13 is a rear elevational view thereof; FIG. 14 is a front elevational view thereof; FIG. 15 is a top plan view thereof; and, FIG. 16 is a bottom plan view thereof.

The broken lines in the drawings depict portions of the magnetic keychain that form no part of the claimed design.

1 Claim, 16 Drawing Sheets



(56)

References Cited

U.S. PATENT DOCUMENTS

2010/0238028 A1* 9/2010 Woods H01H 3/161
340/545.6

OTHER PUBLICATIONS

Magswitch MagJig 60 Keychain—8100514; <https://magswitch.com/product/magjig60keychain/>; available at least Dec. 19, 2019, 6 pages.

Magswitch MagJig 235—8100377; <https://magswitch.com/product/magjig235/>; available at least Dec. 19, 2019, 6 pages.

Magswitch MagJig 60—8100818; <https://magswitch.com/product/magjig-60/>; available at least Dec. 19, 2019, 6 pages.

Magswitch MagJig 150—8110005; <https://magswitch.com/product/magjig150/>; available at least Dec. 19, 2019, 6 pages.

Industrial Magnetics, Inc. Magnetic Jigs and Fixture Magnets; <https://www.magnetics.com/produces.asp?ProductID=156>; available at least Dec. 19, 2019, 10 pages.

Magnet Source Neodymium On/Off Magnetic Workholding Jig MJG095; <https://www.magnetsource.com/collections/welding-on-off-workholding-12/products/mjg095>; available at least Dec. 19, 2019, 6 pages.

Magnet Source Neodymium On/Off Magnetic Workholding Jig with Mounting Tabs; <https://www.magnetsource.com/collections/welding-on-off-workholding-12/products/mjg095mt>; available at least Dec. 19, 2019, 6 pages.

Magnet Source Neodymium On/Off Magnetic Workholding Jig MJG150; <https://www.magnetsource.com/collections/welding-on-off-workholding-12/products/mjg150>; available at least Dec. 19, 2019, 6 pages.

* cited by examiner

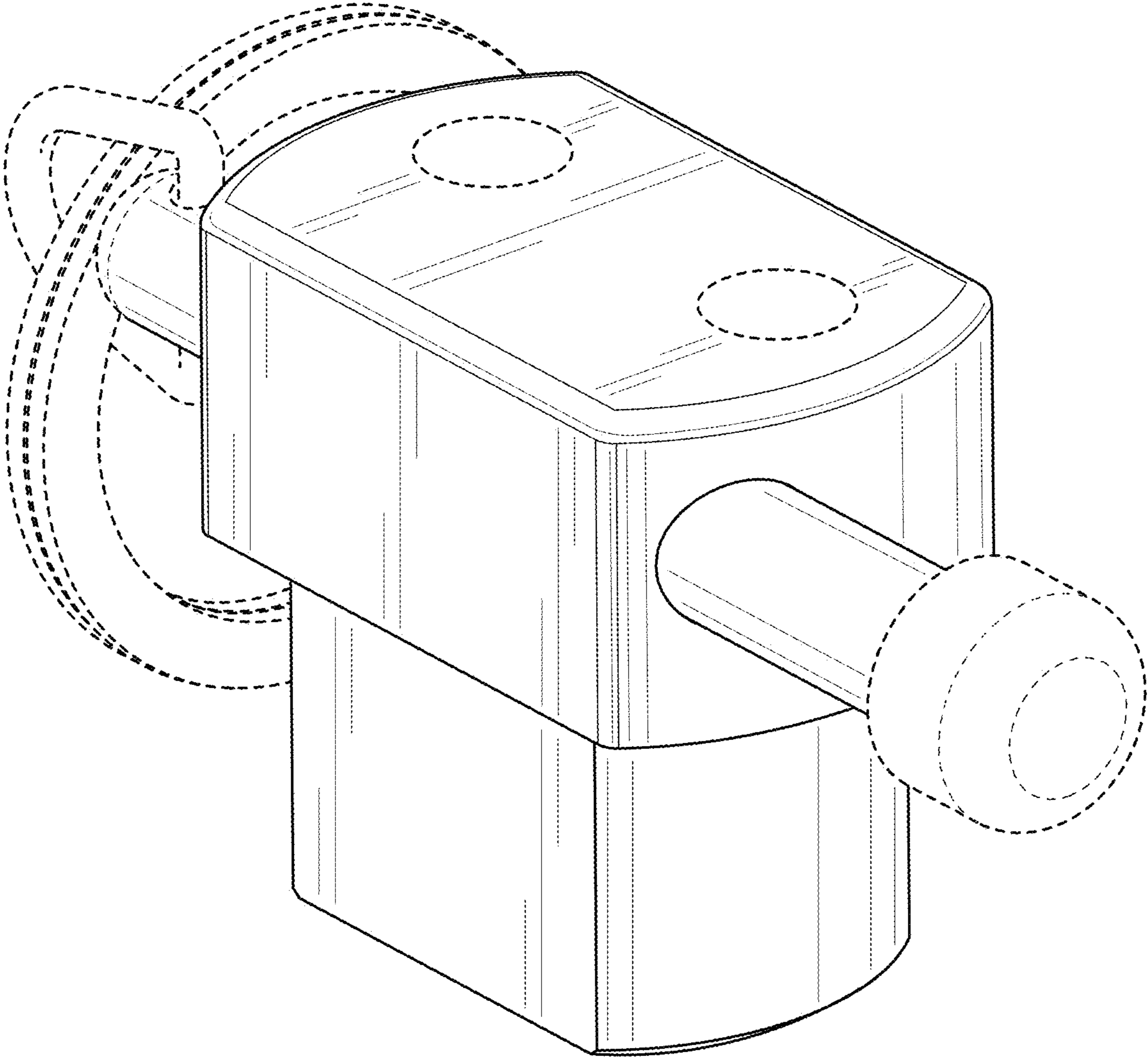


FIG. 1

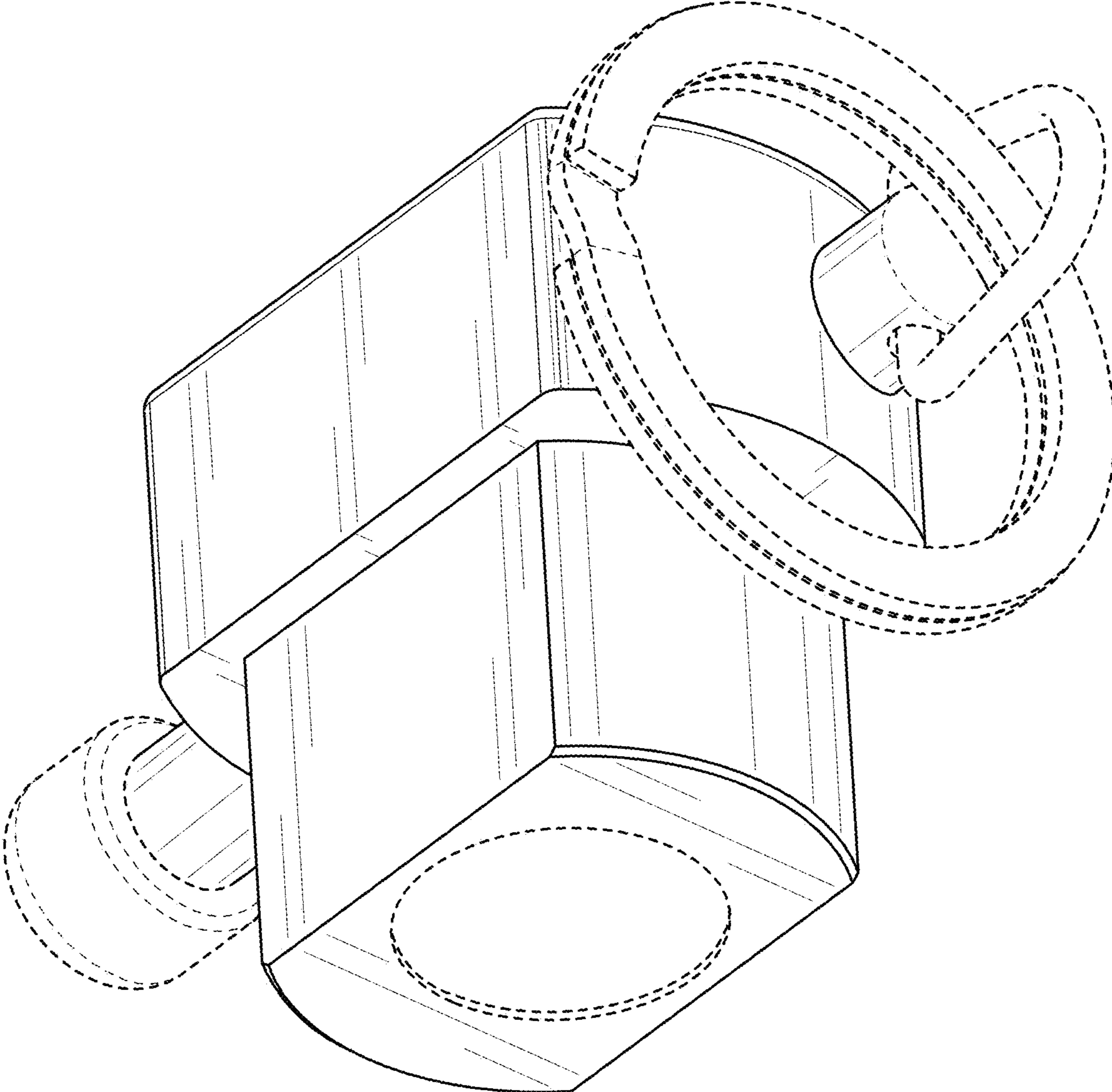


FIG. 2

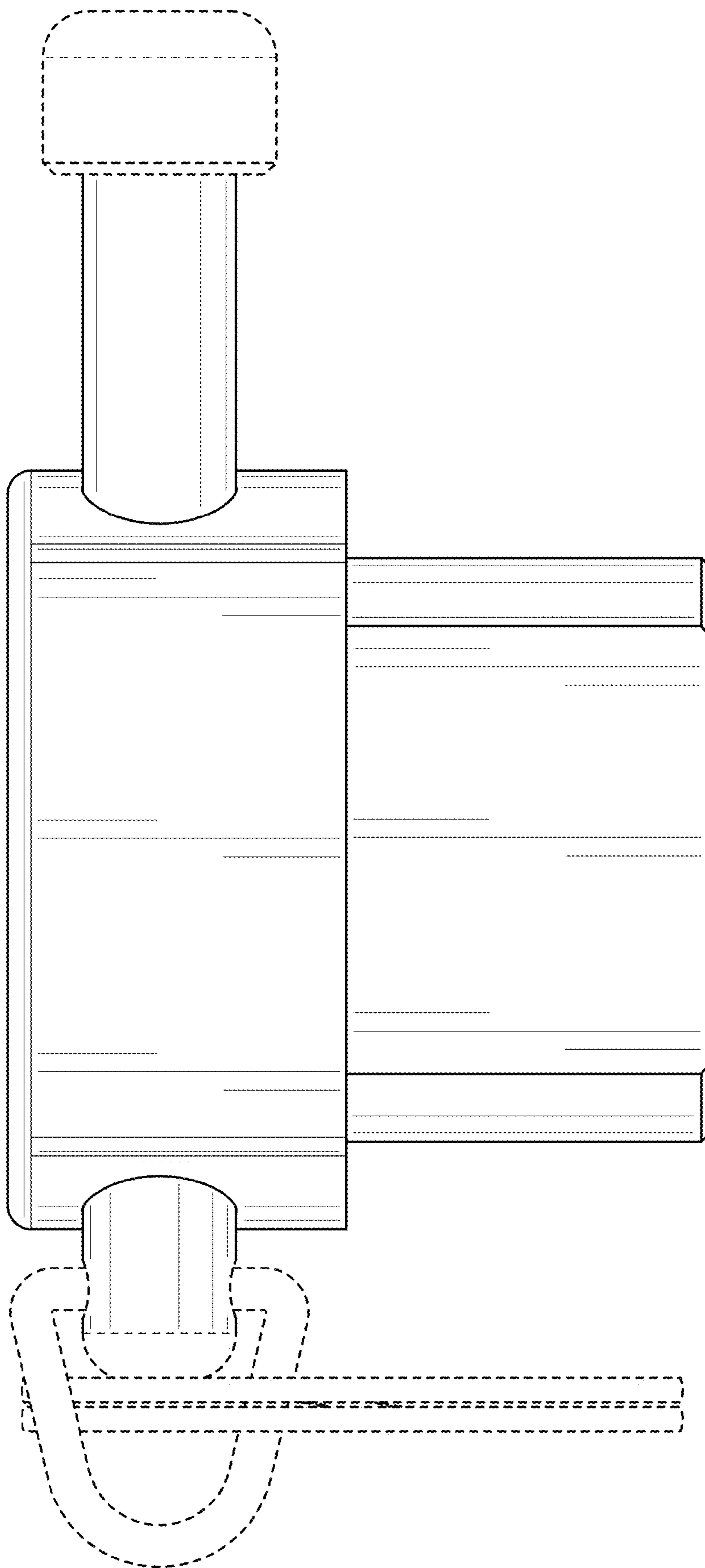


FIG. 3

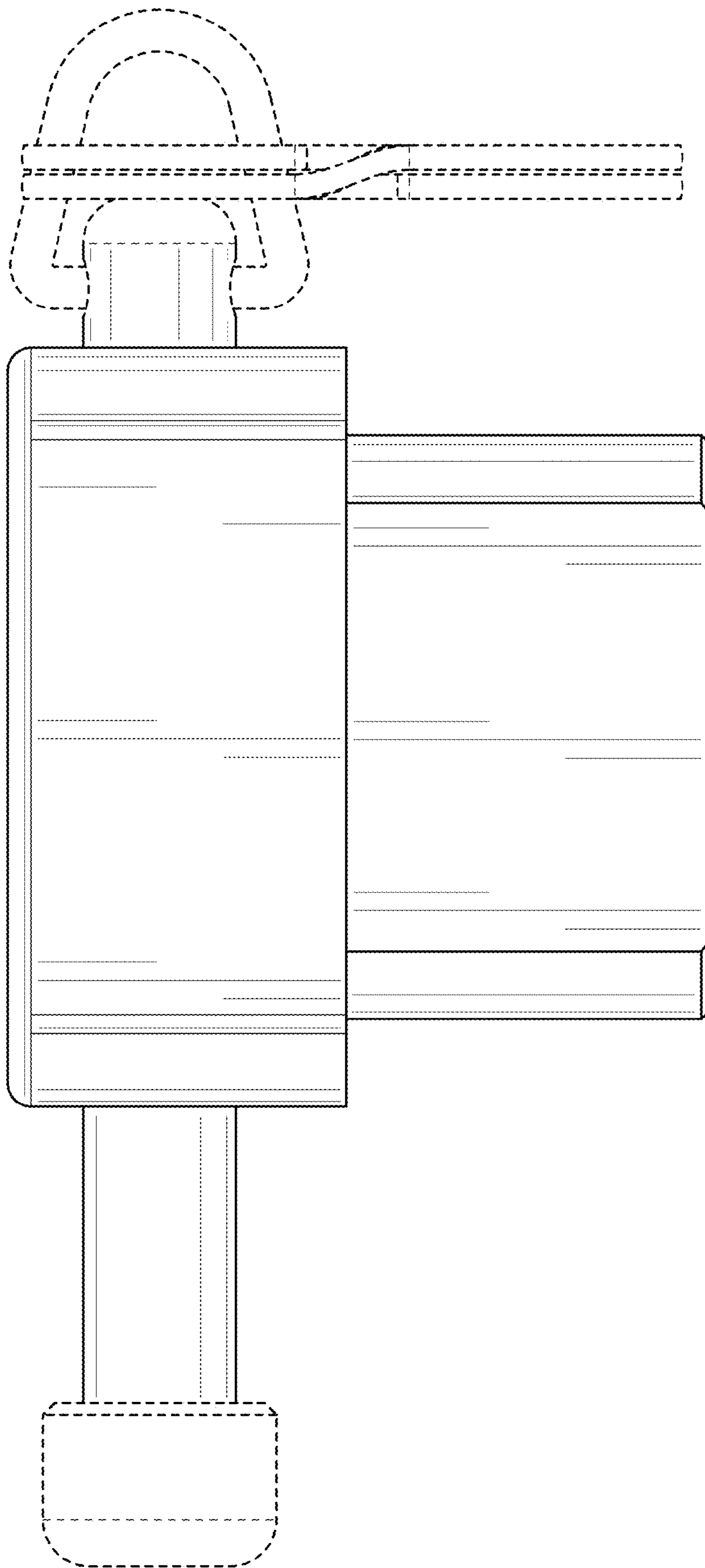


FIG. 4

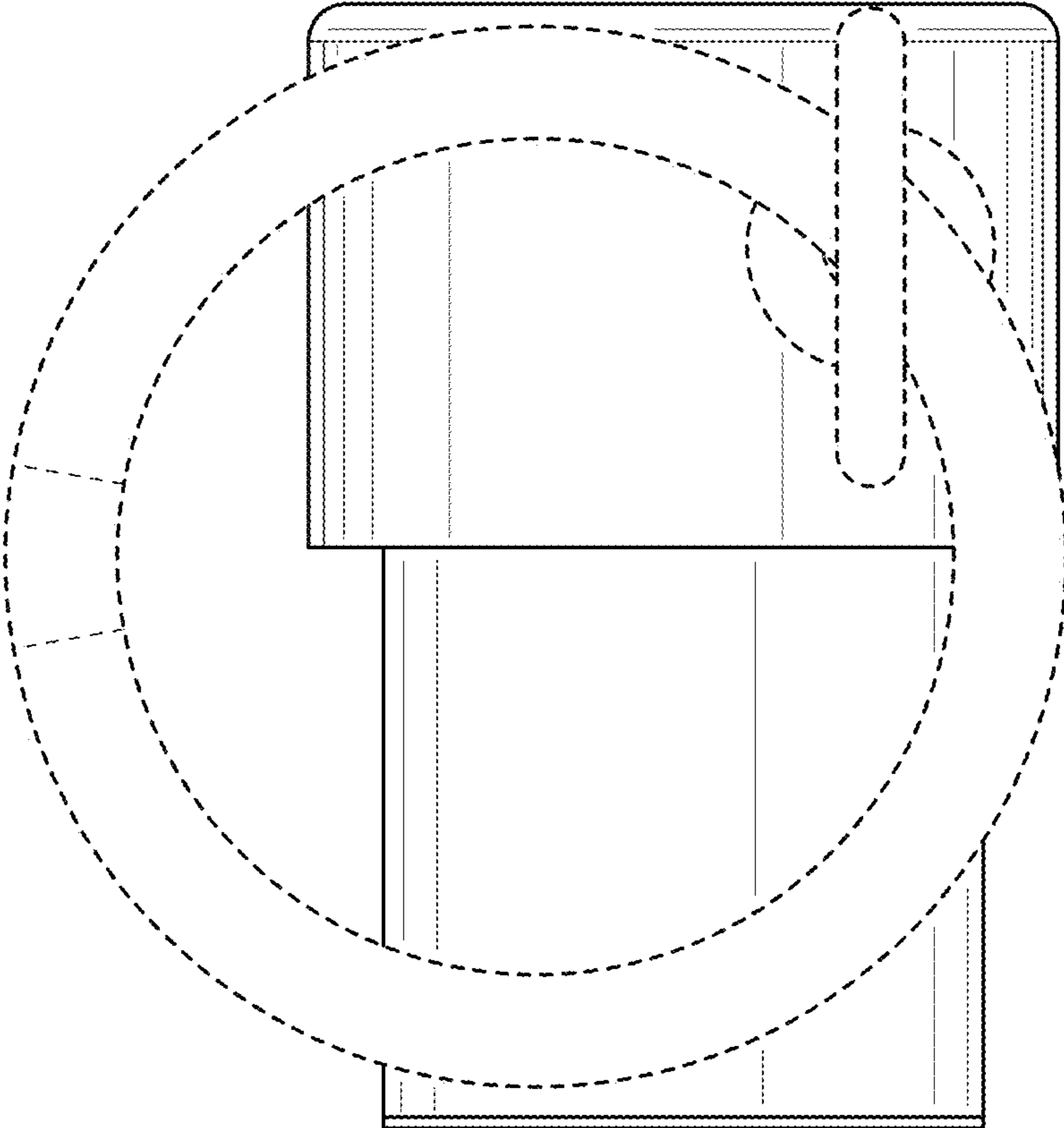


FIG. 5

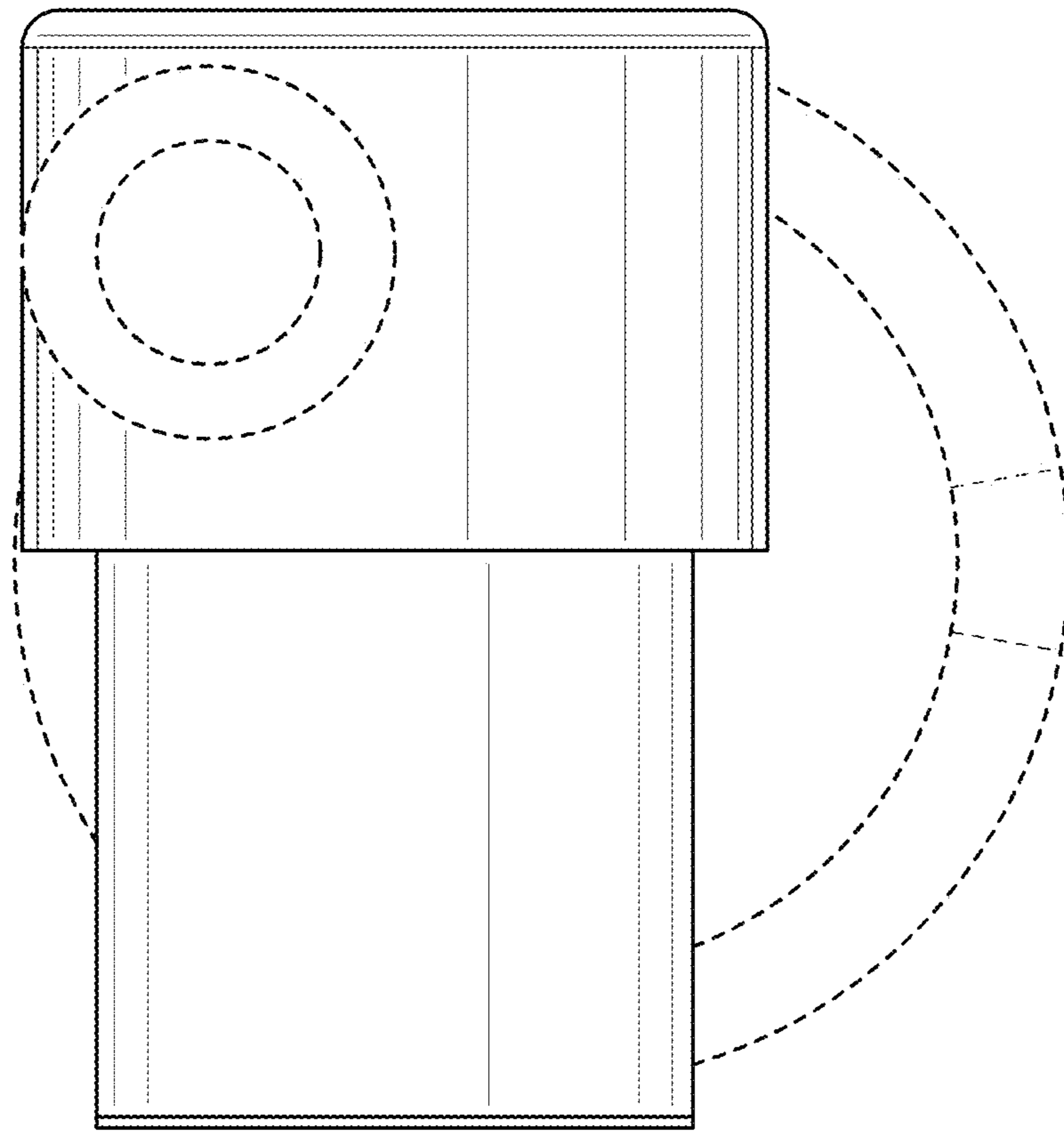


FIG. 6

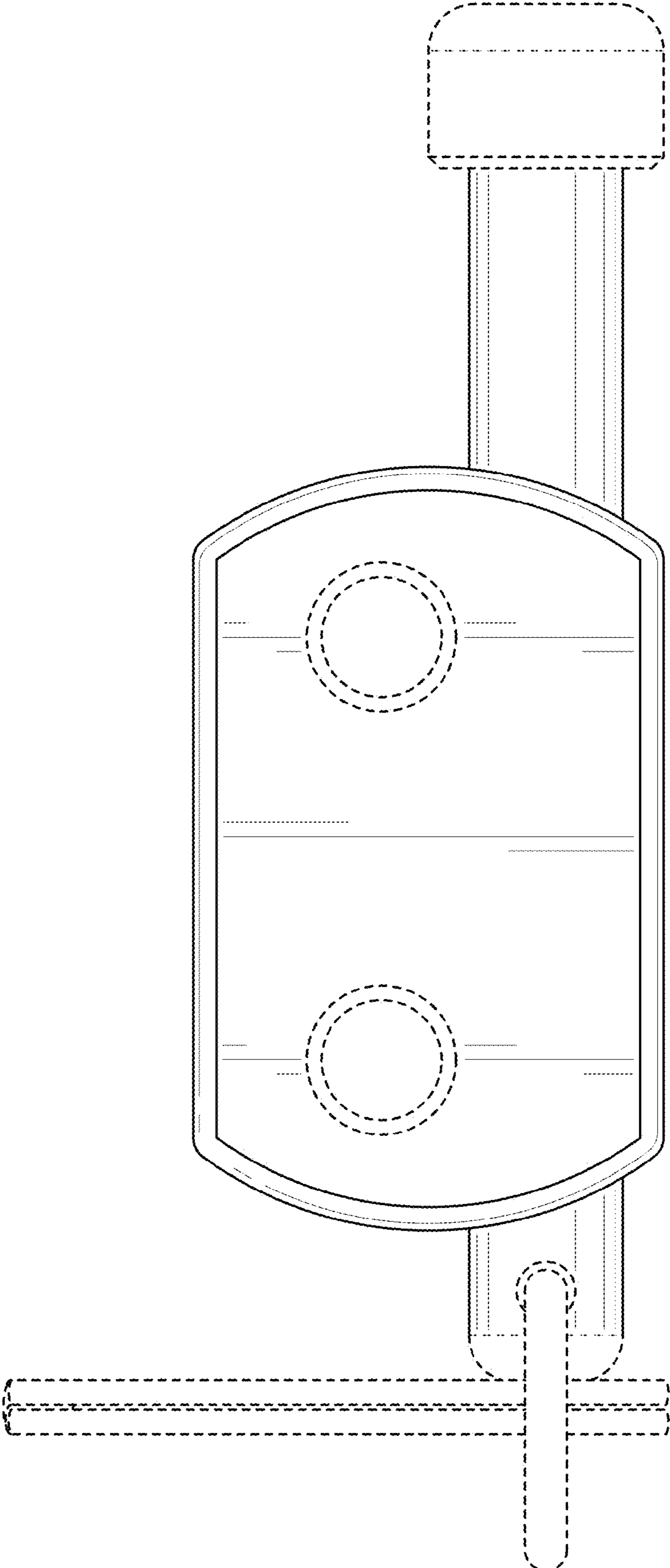


FIG. 7

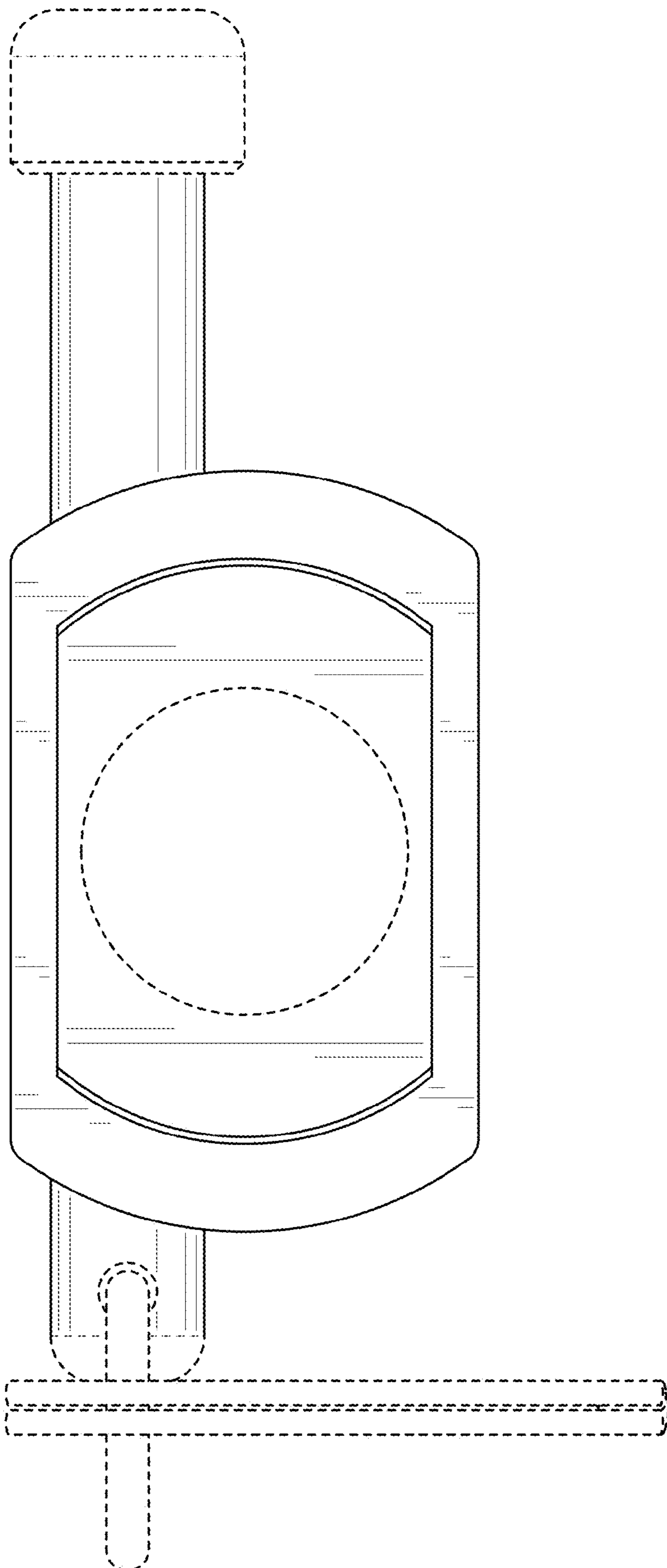


FIG. 8

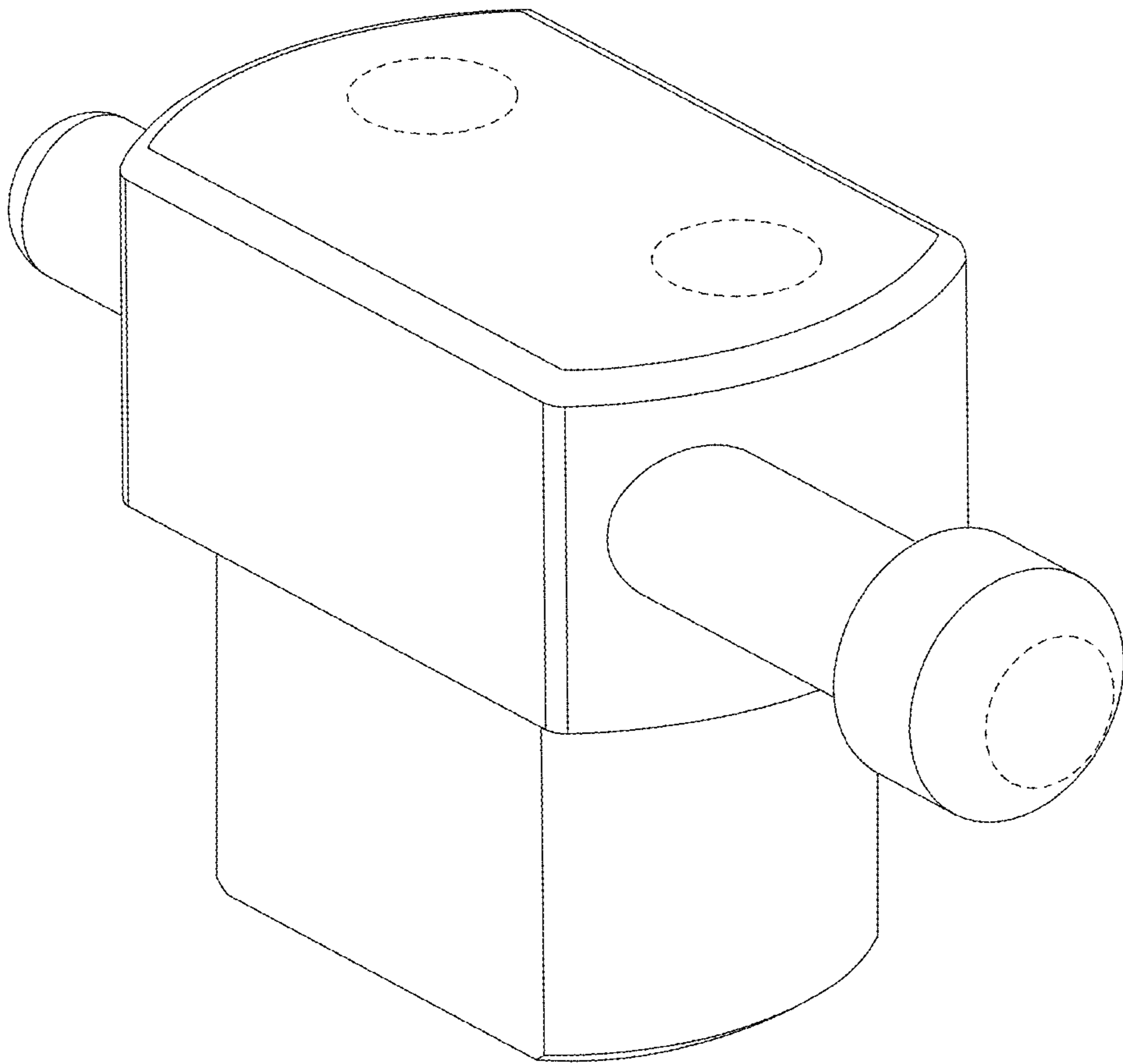


FIG. 9

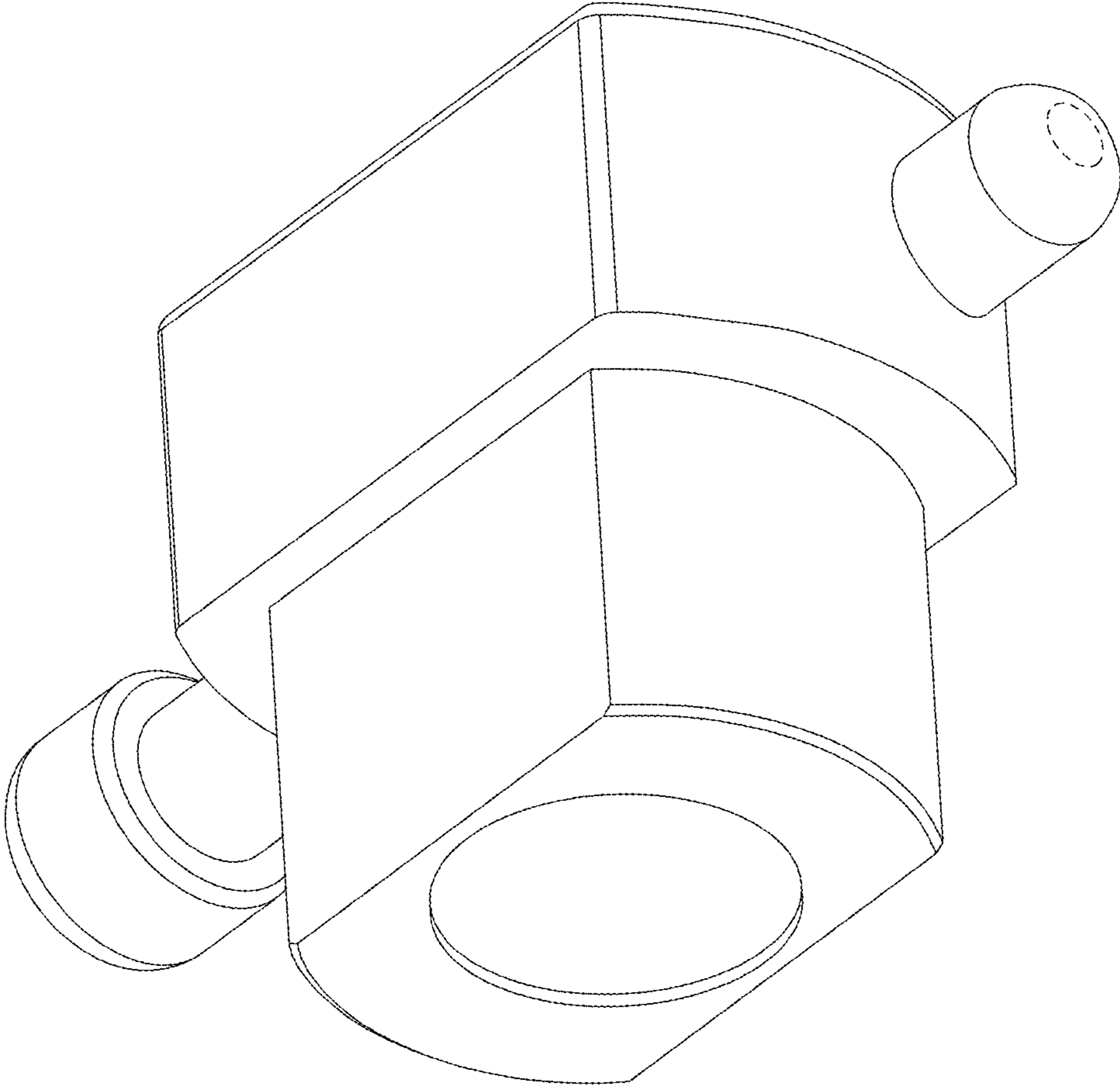


FIG. 10

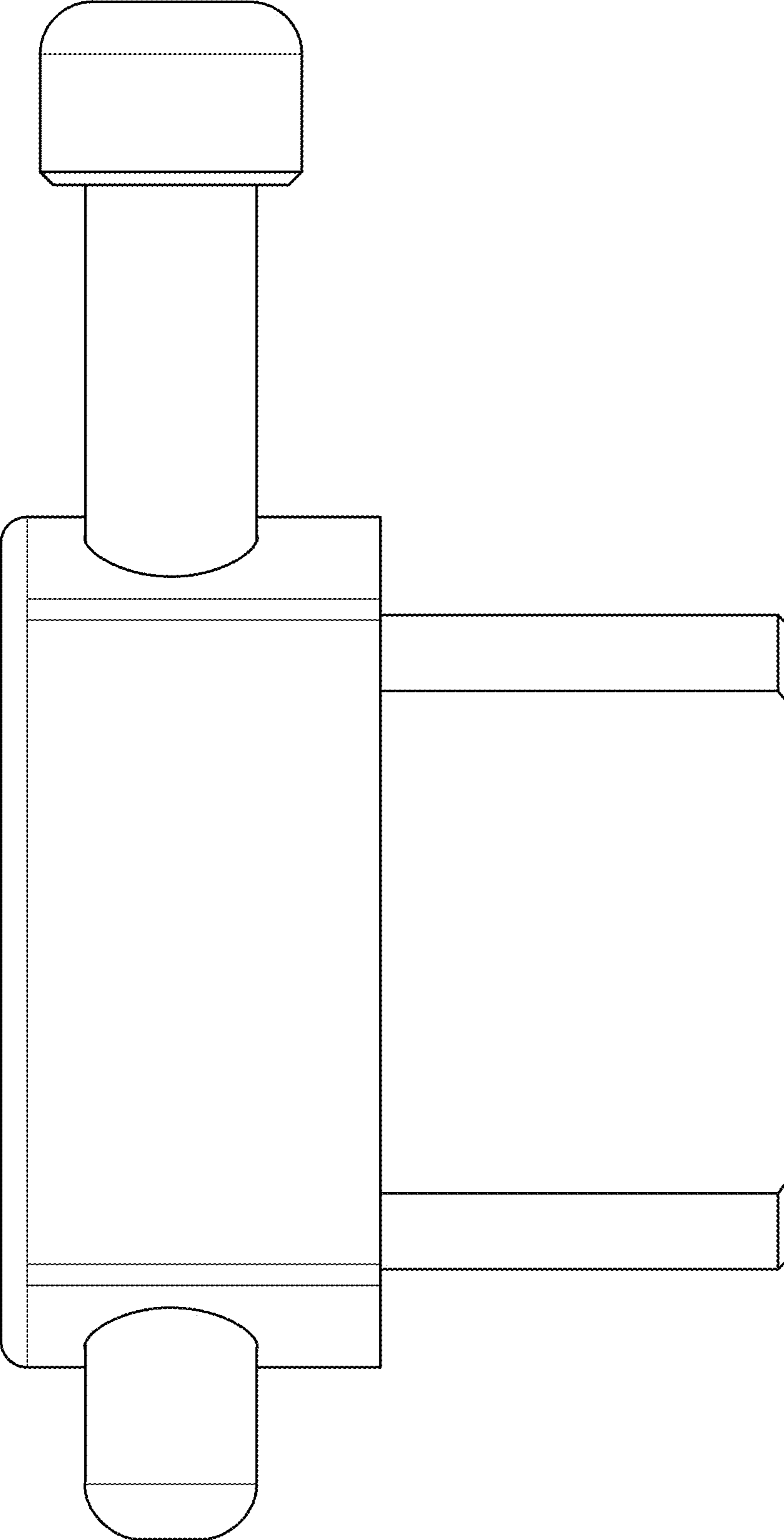


FIG. 11

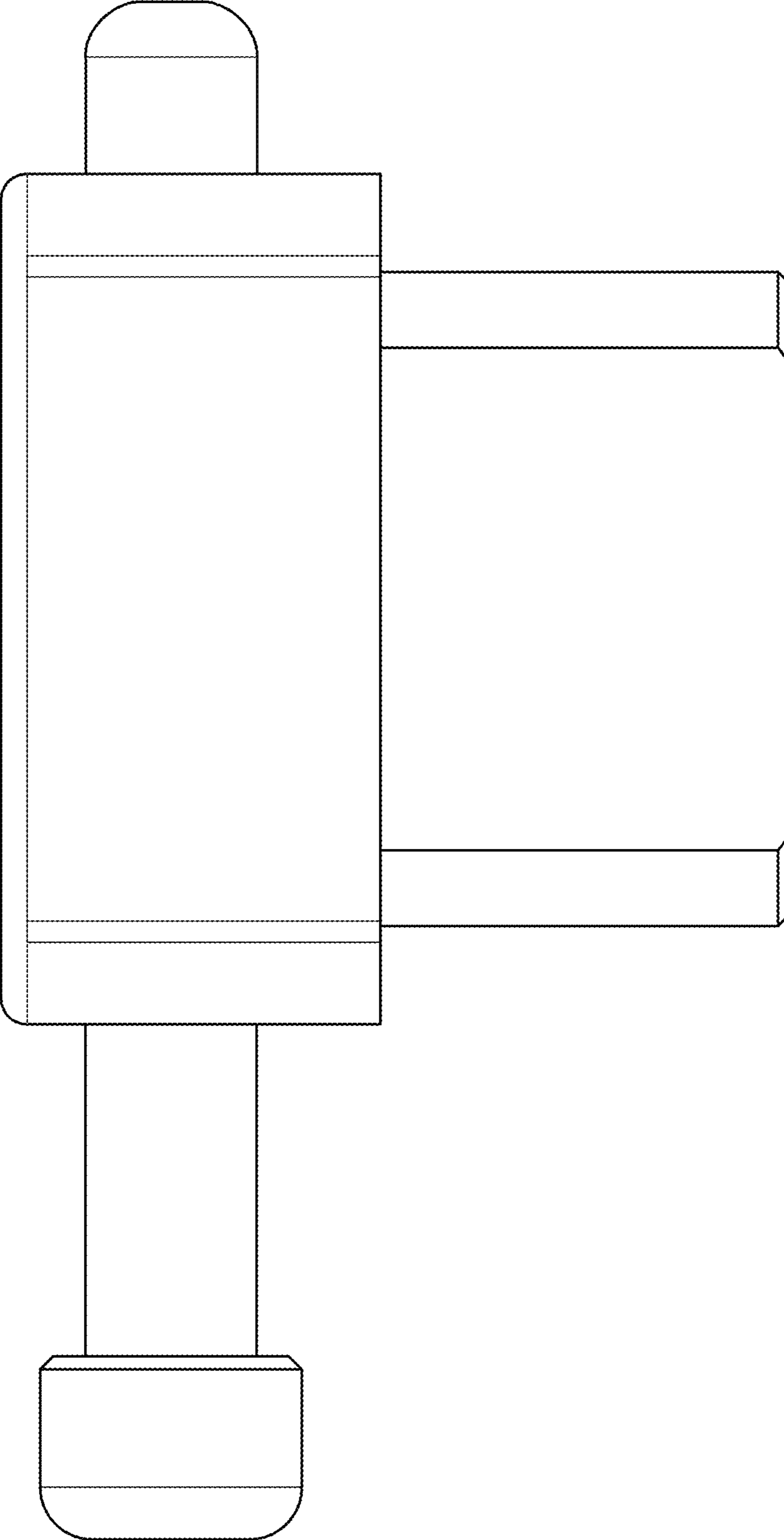


FIG. 12

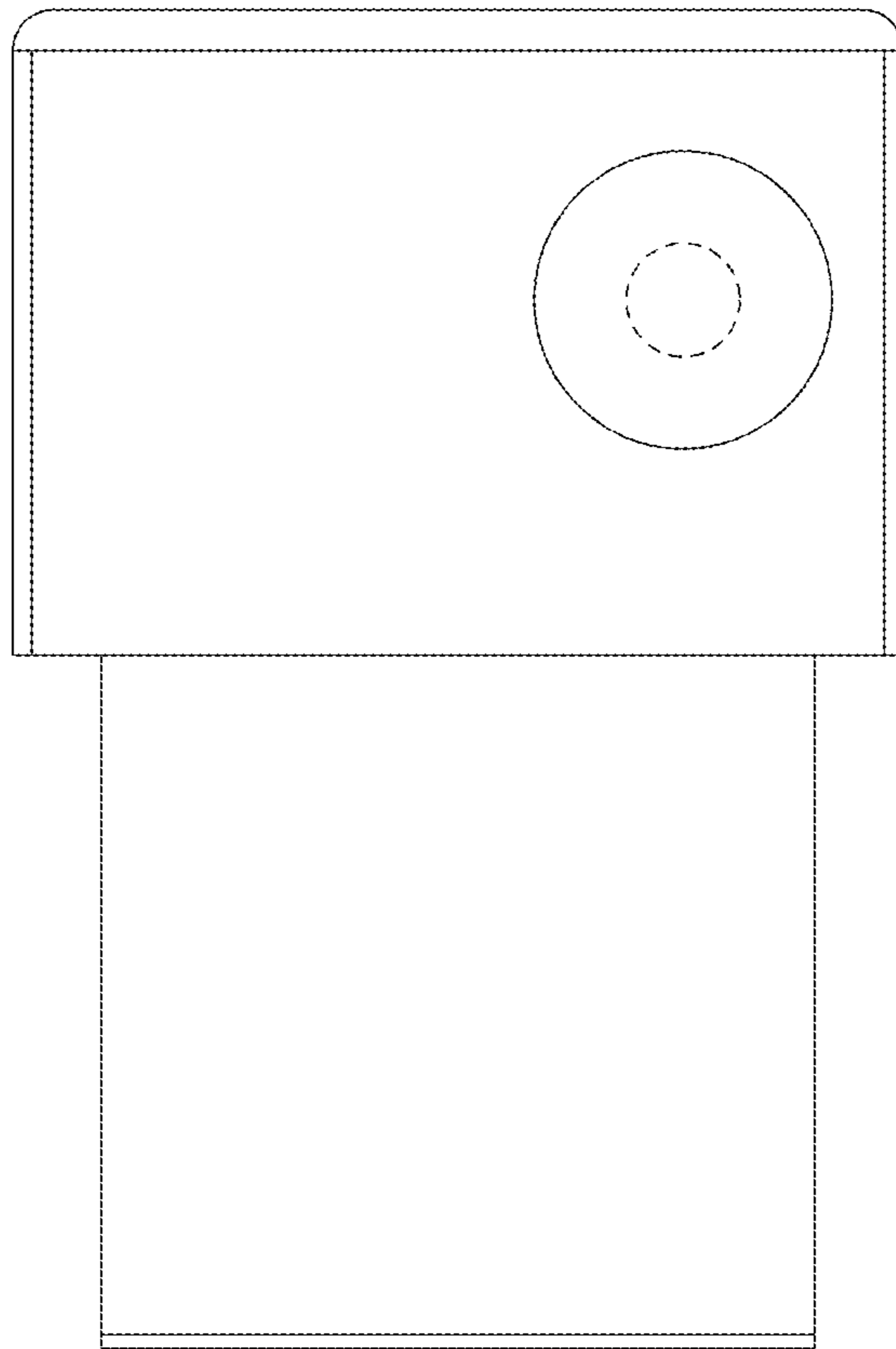


FIG. 13

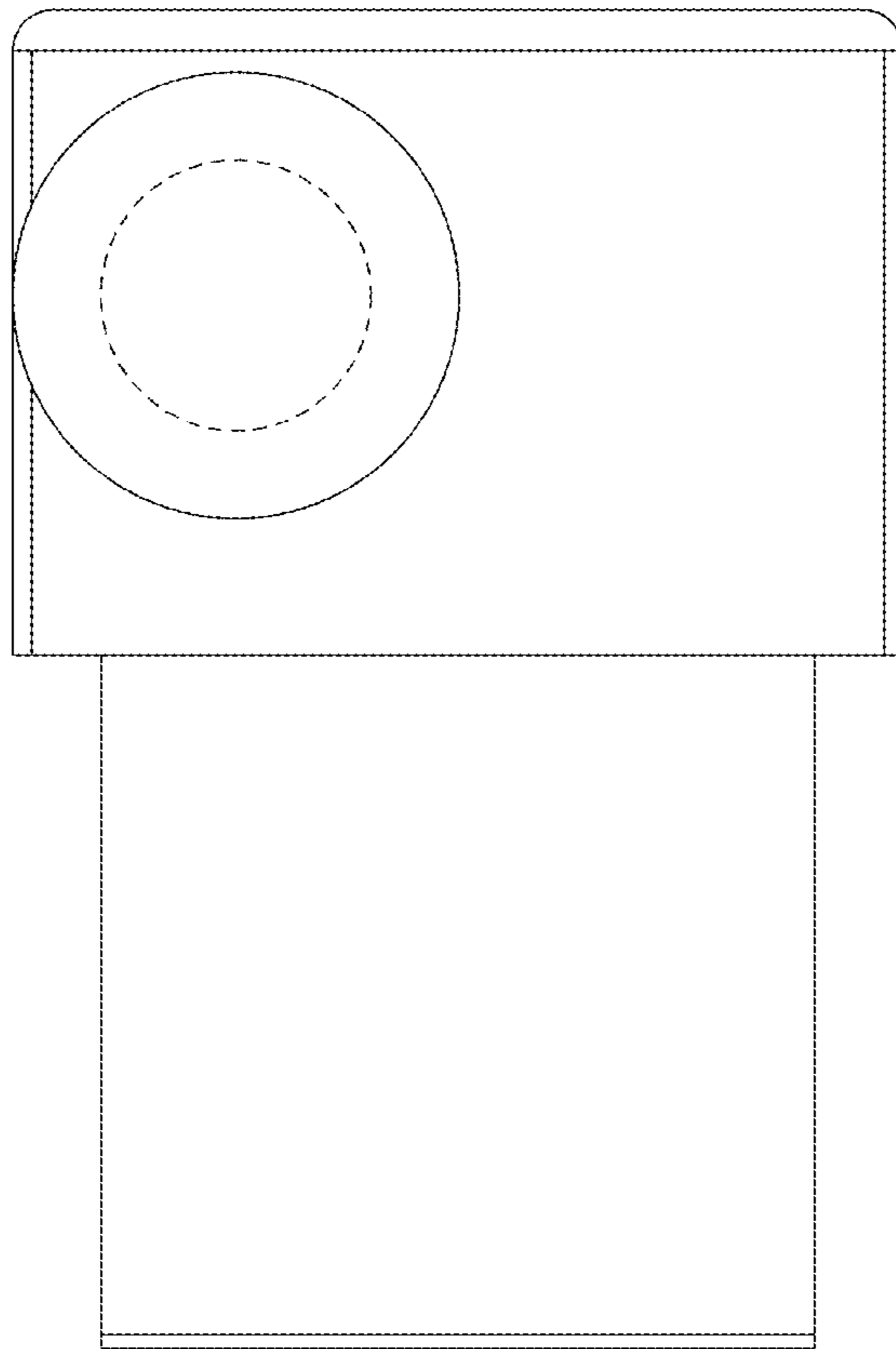


FIG. 14

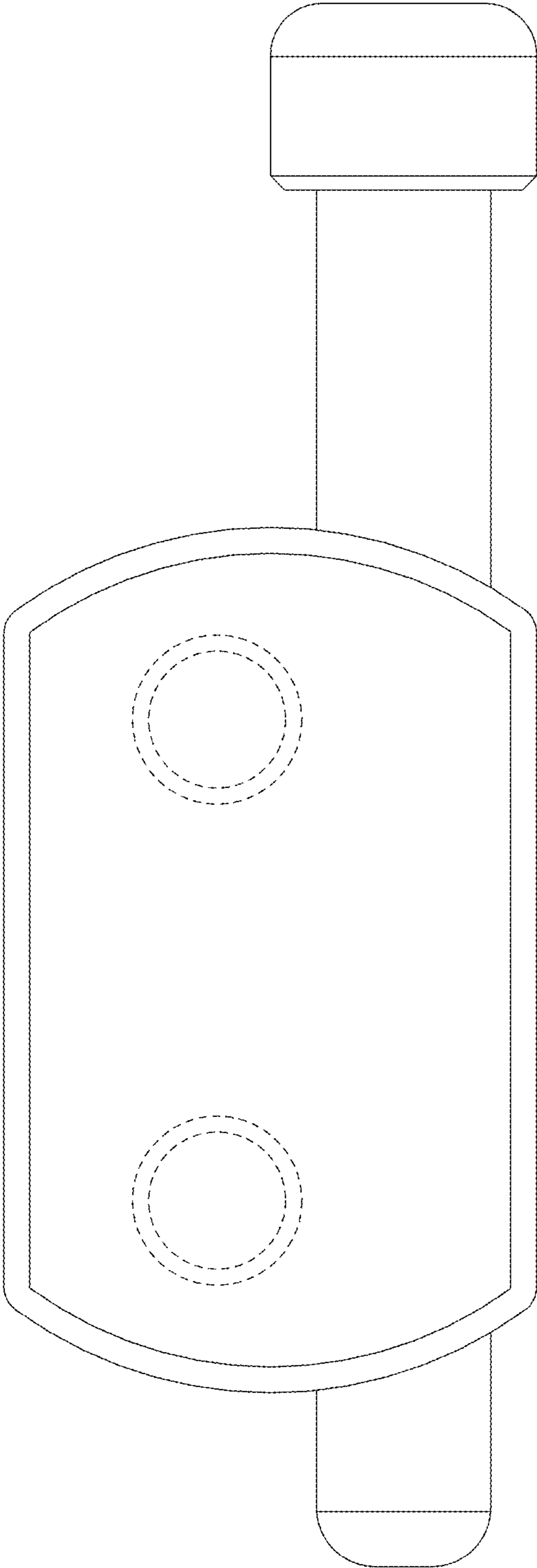


FIG. 15

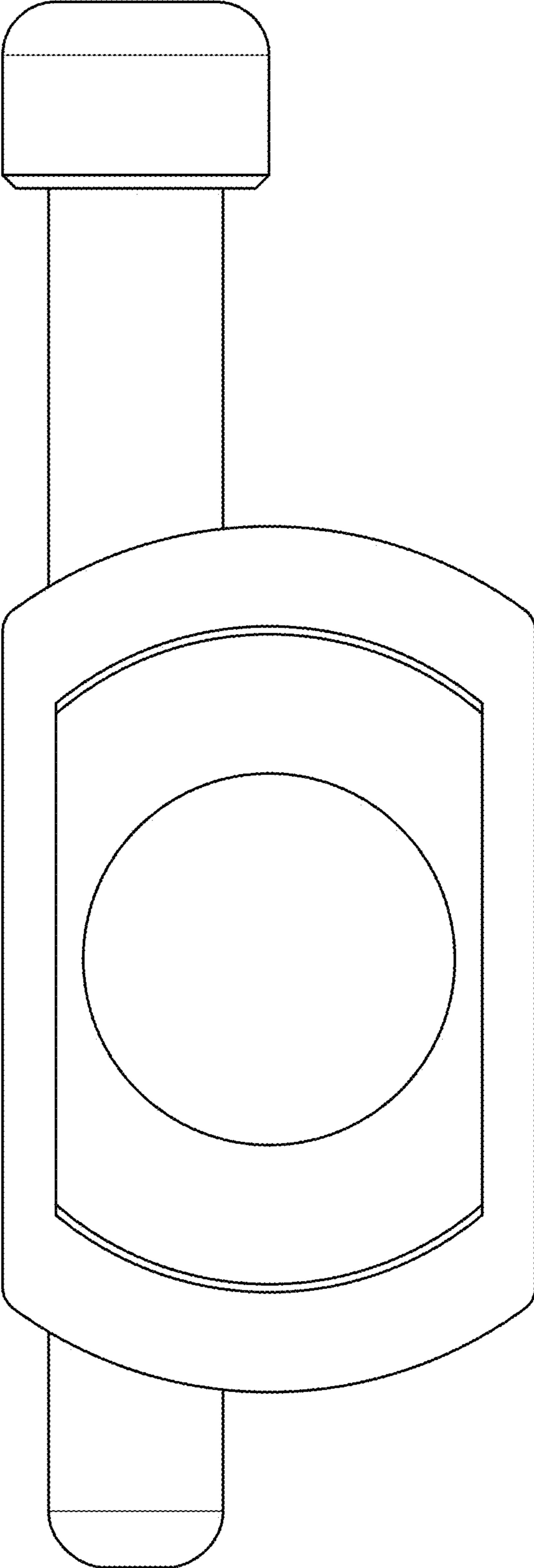


FIG. 16