



US00D930353S

(12) **United States Design Patent** (10) **Patent No.:** **US D930,353 S**
Guo (45) **Date of Patent:** **** Sep. 14, 2021**

(54) **TOOTHBRUSH COVER**
(71) Applicant: **Qing Guo**, Xiangyang (CN)
(72) Inventor: **Qing Guo**, Xiangyang (CN)
(**) Term: **15 Years**
(21) Appl. No.: **29/764,946**
(22) Filed: **Jan. 5, 2021**

(51) **LOC (13) Cl.** **03-03**
(52) **U.S. Cl.**
USPC **D3/205; D4/113**
(58) **Field of Classification Search**
USPC D3/205; D4/113
CPC A46B 2200/1066; A46B 2200/1086; A46B
17/04; A46B 15/0053
See application file for complete search history.

(56) **References Cited**

U.S. PATENT DOCUMENTS

5,048,144 A * 9/1991 Andrews A46B 17/04
15/184
D334,290 S 3/1993 Gruberg
D351,286 S 10/1994 Tapocik
5,924,567 A * 7/1999 Wenum A46B 17/04
206/362.3
D622,963 S * 9/2010 Paik D4/199
D646,897 S 10/2011 Nanda
D670,506 S * 11/2012 Kayser D4/113

D791,472 S * 7/2017 Krok D3/205
D826,475 S * 8/2018 Denzinger D28/47
D850,115 S * 6/2019 Rojas D4/108
D899,385 S * 10/2020 Luo D4/113
D901,900 S * 11/2020 Kollar D4/113
2007/0181455 A1* 8/2007 Davis A61L 9/12
206/362.3
2009/0288972 A1* 11/2009 Kayser A46B 17/04
206/362.3
2010/0243493 A1* 9/2010 Harris A61C 19/02
206/361

* cited by examiner

Primary Examiner — Charles D Hanson

(74) *Attorney, Agent, or Firm* — Che-Yang Chen; Law Office of Michael Chen

(57) **CLAIM**

The ornamental design for a toothbrush cover, as shown and described.

DESCRIPTION

FIG. 1 is a perspective view of the toothbrush cover showing my new design;

FIG. 2 is a front elevational view thereof;

FIG. 3 is a rear elevational view thereof;

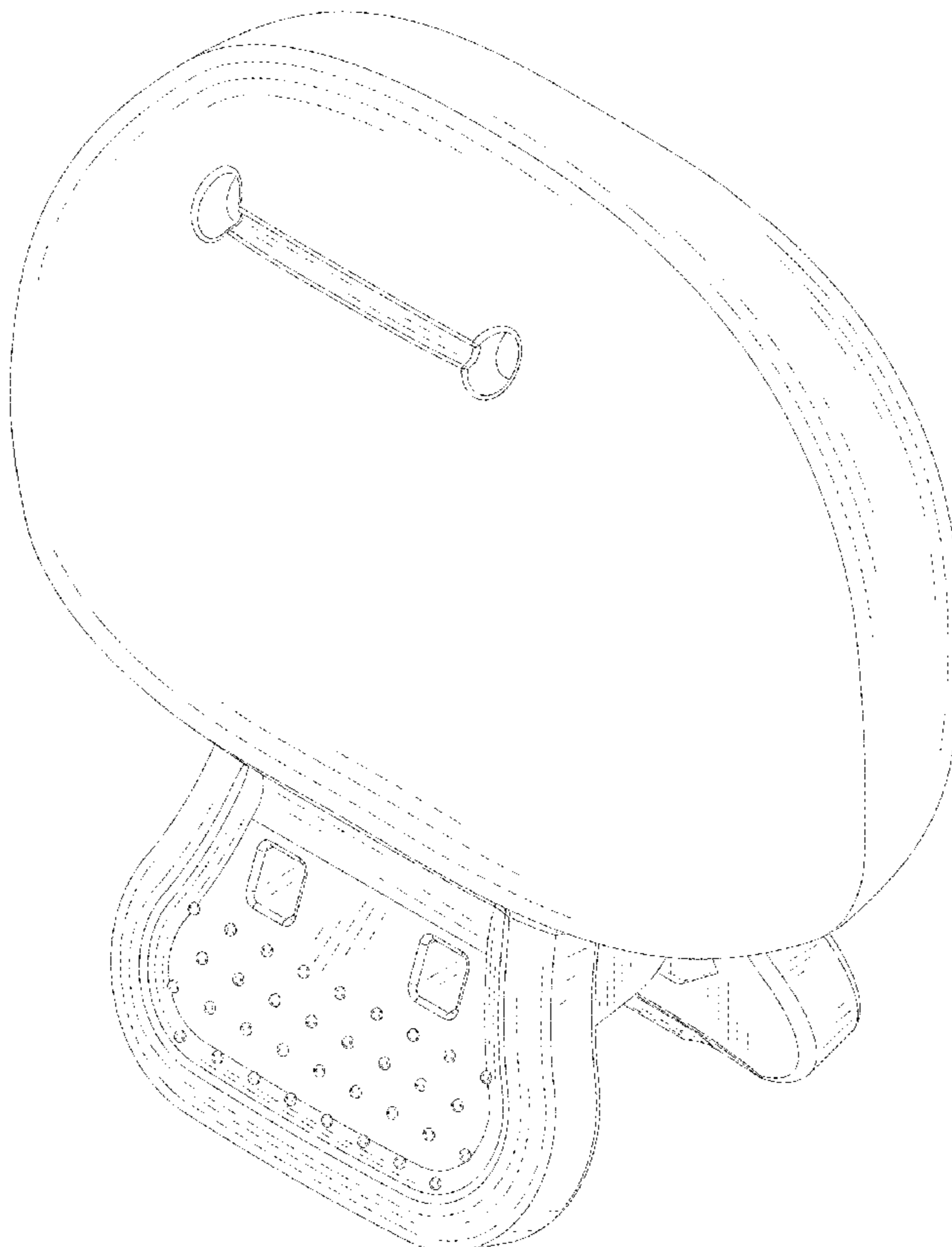
FIG. 4 is a left side elevational view thereof;

FIG. 5 is a right side elevational view thereof;

FIG. 6 is a top plan view thereof; and,

FIG. 7 is a bottom plan view thereof.

1 Claim, 7 Drawing Sheets



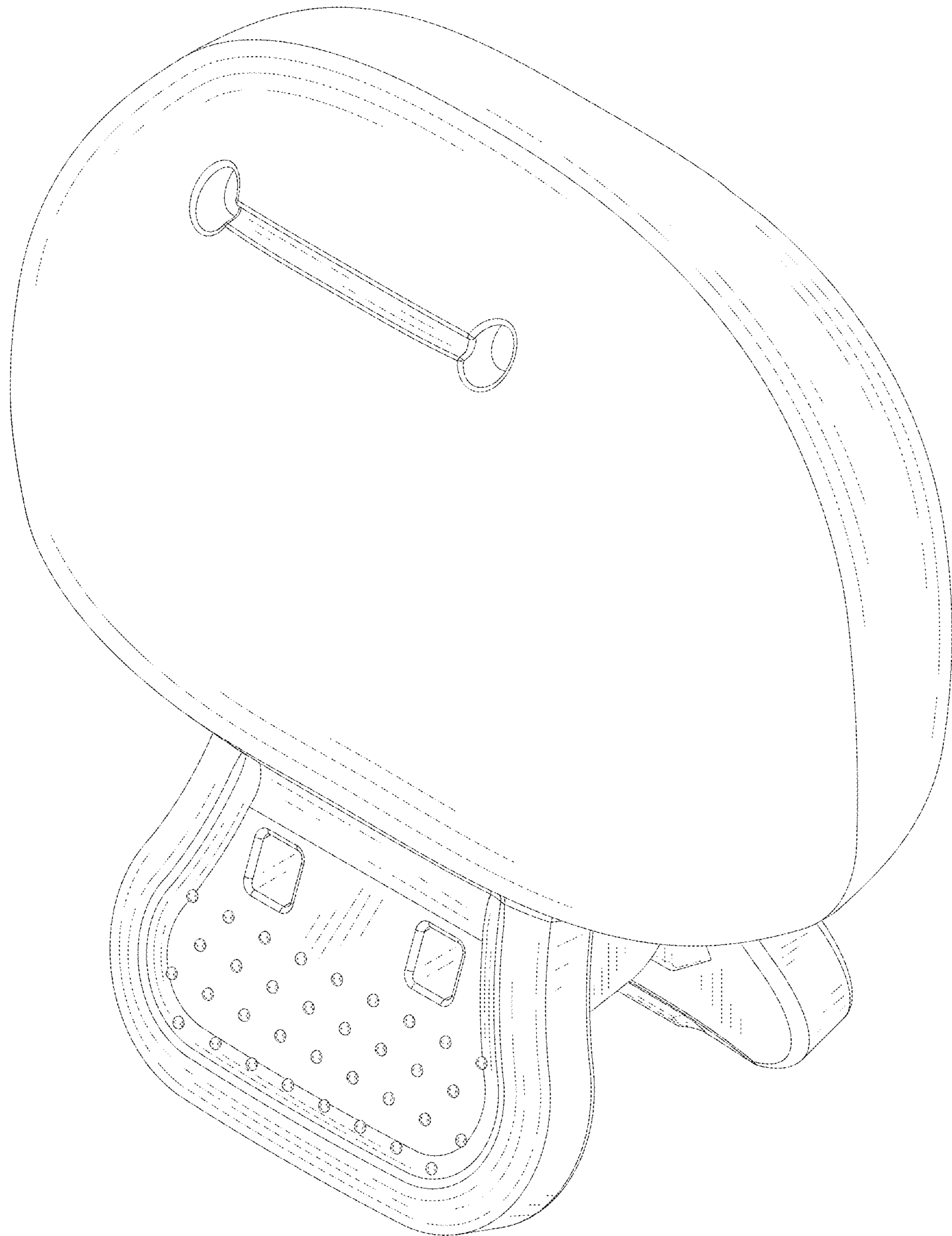


FIG. 1

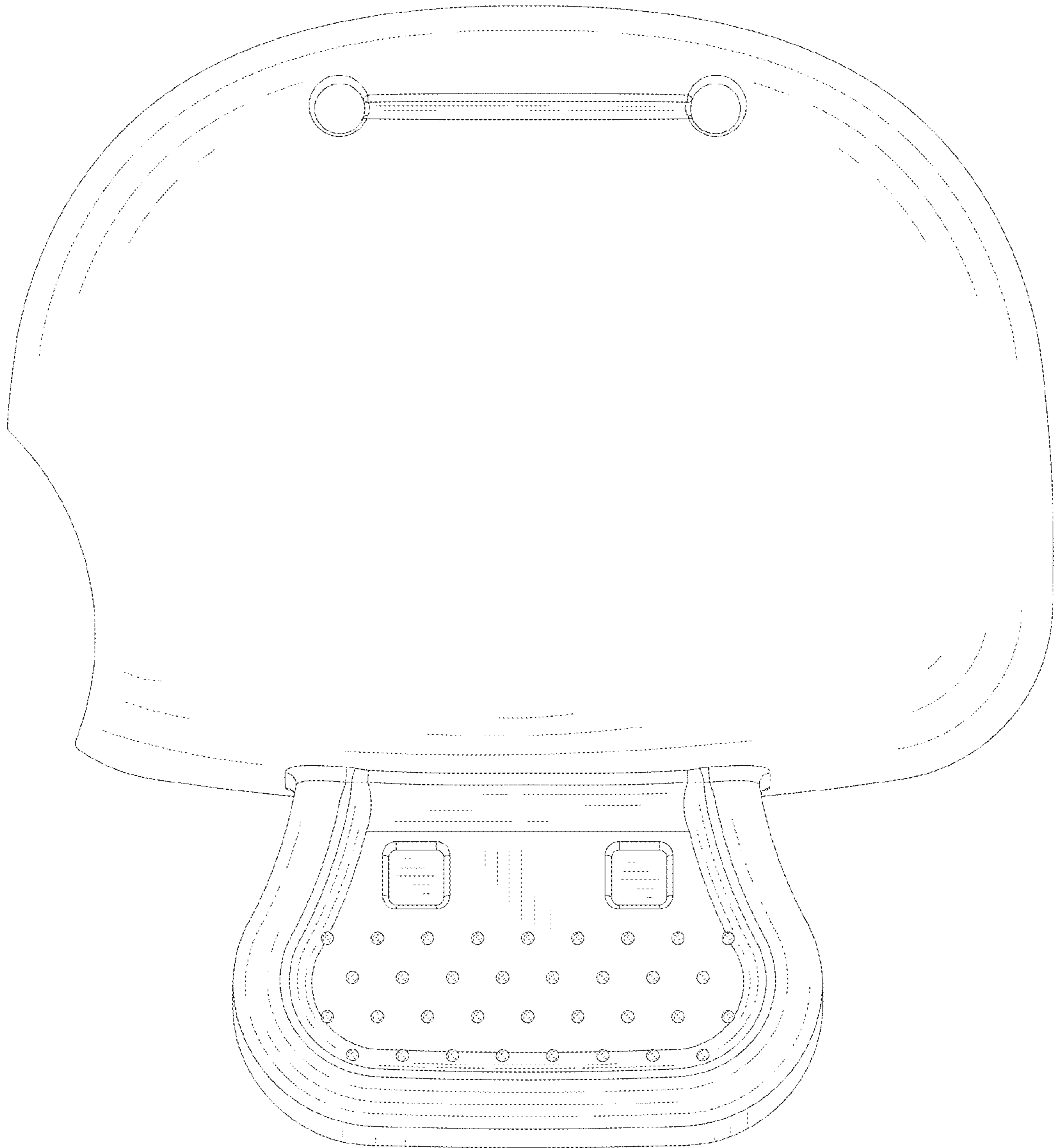


FIG. 2

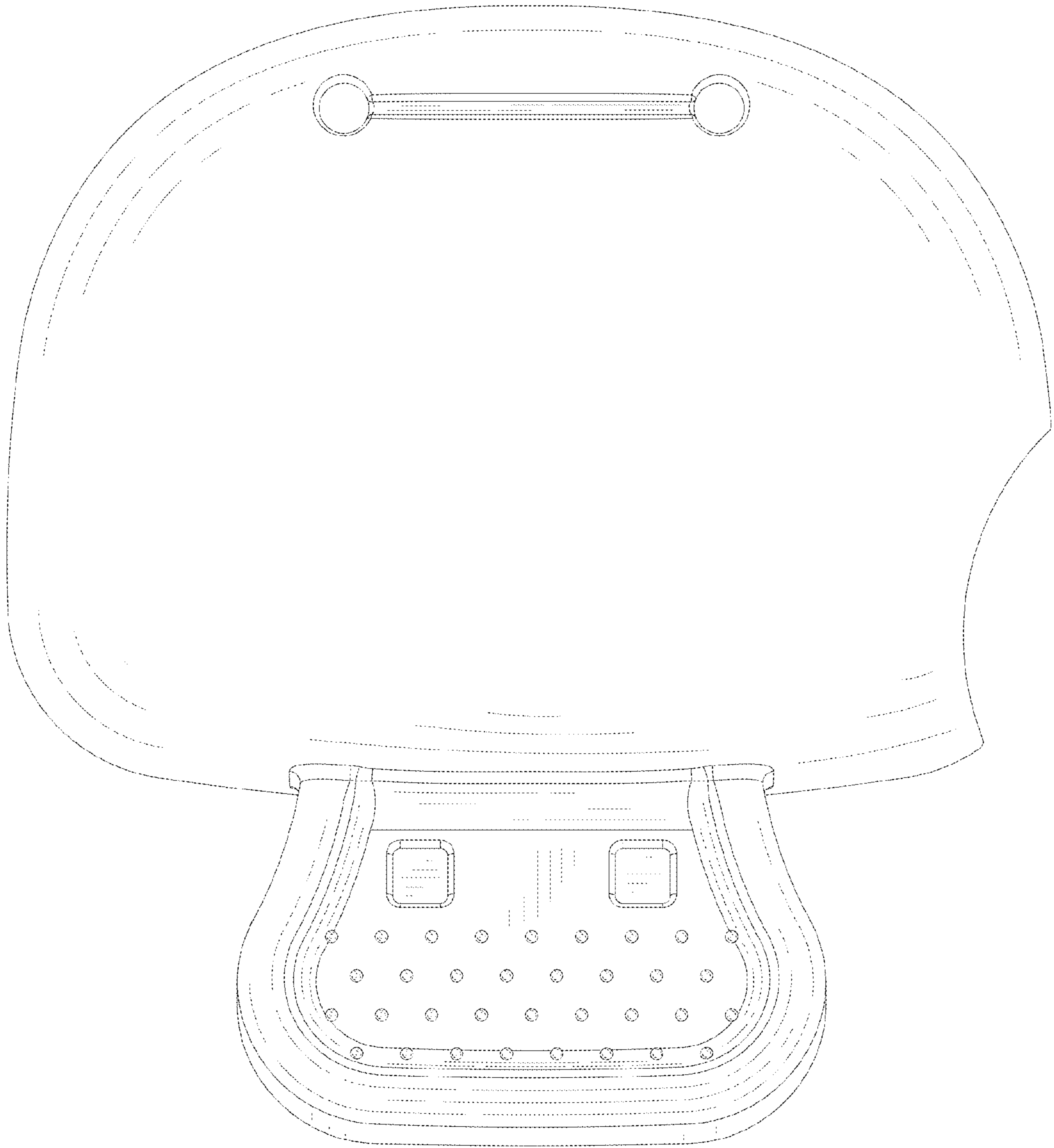


FIG. 3

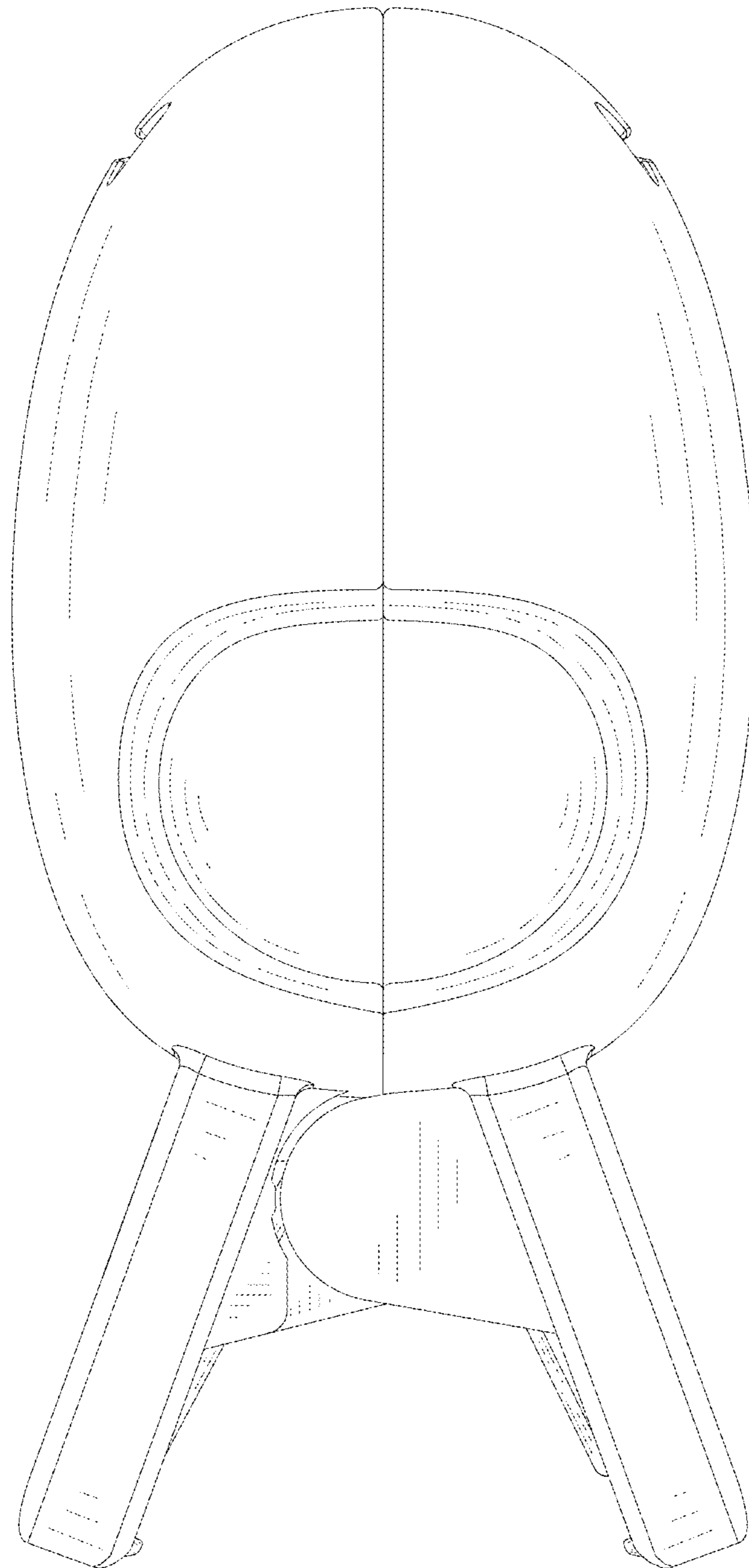


FIG. 4

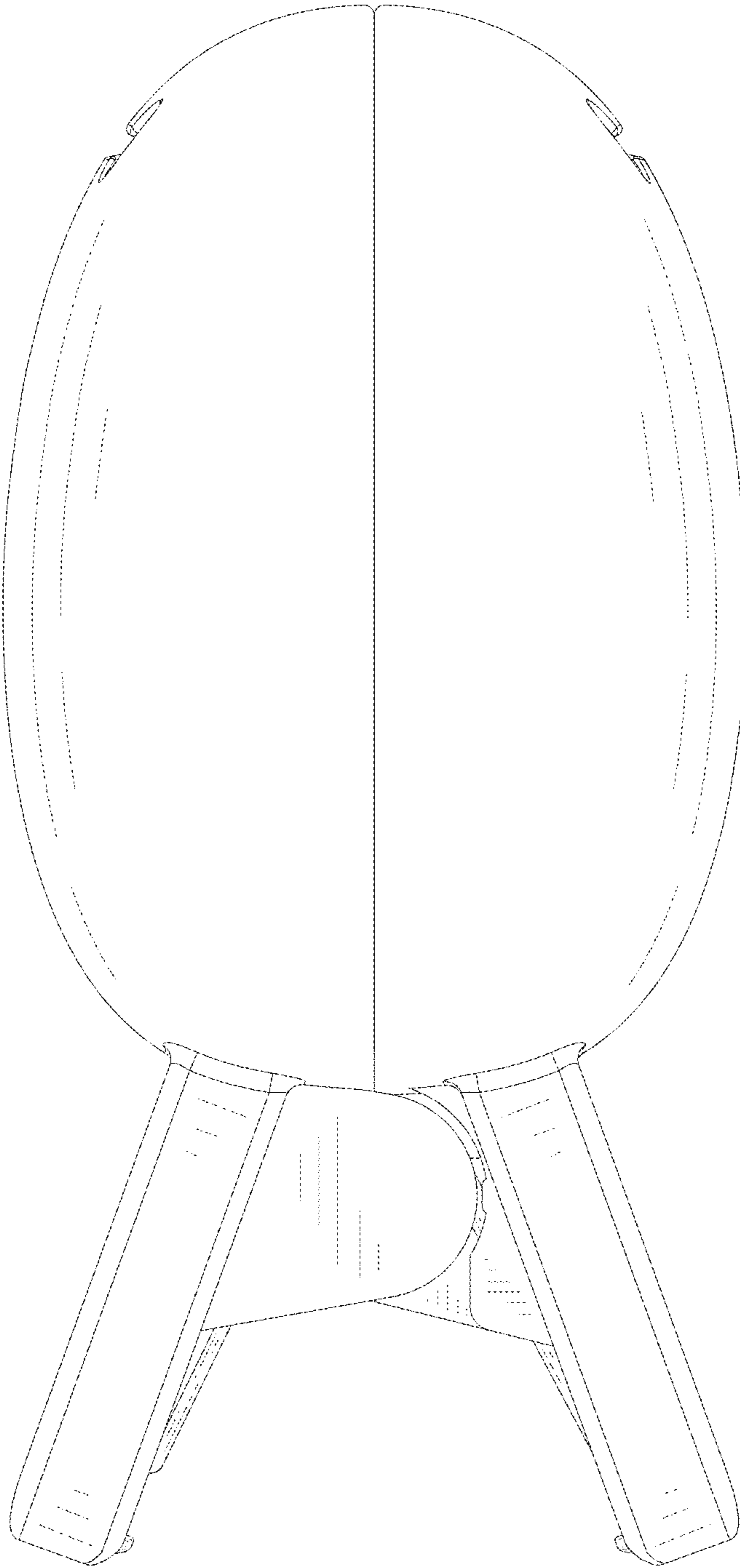


FIG. 5

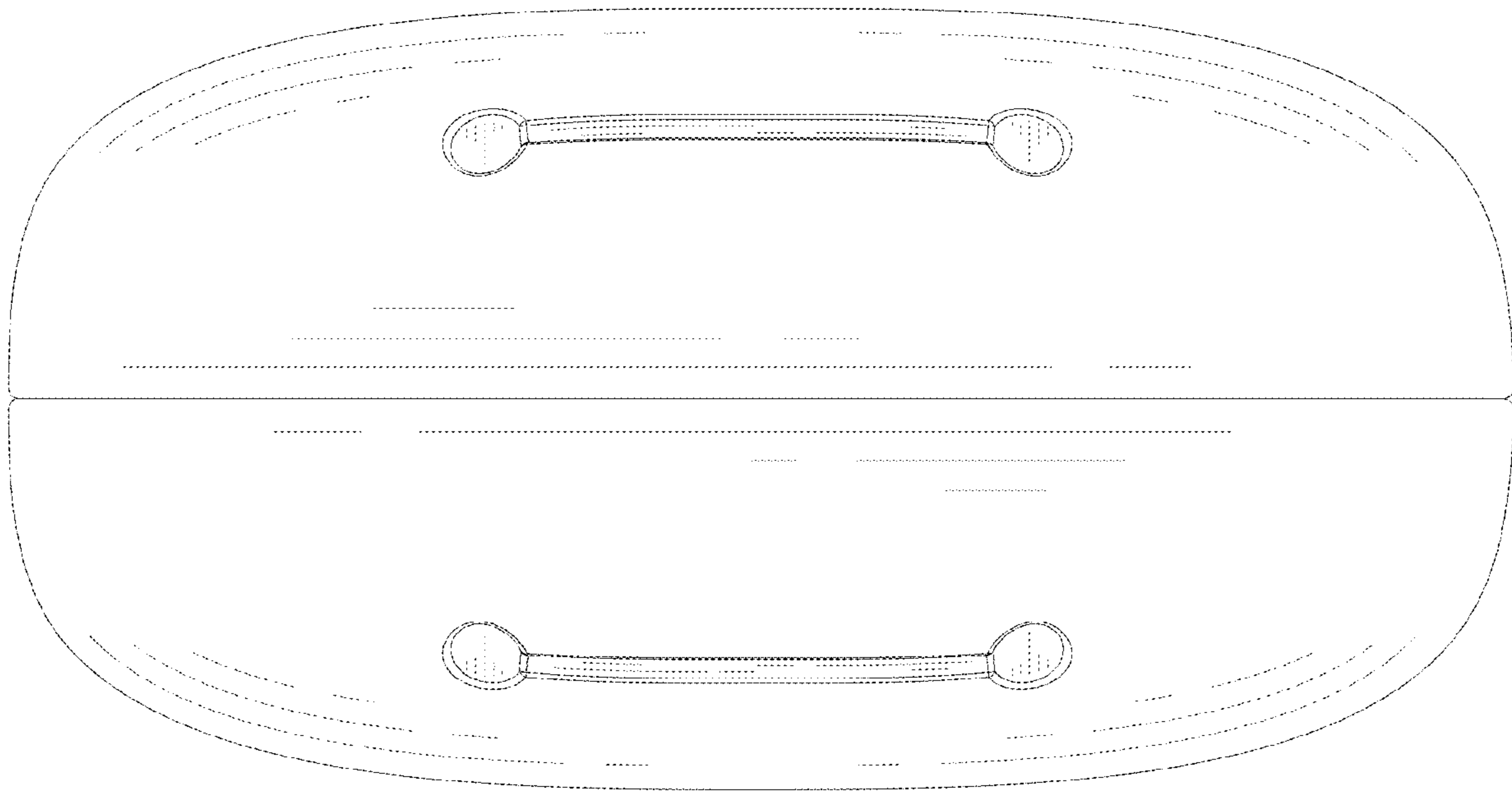


FIG. 6

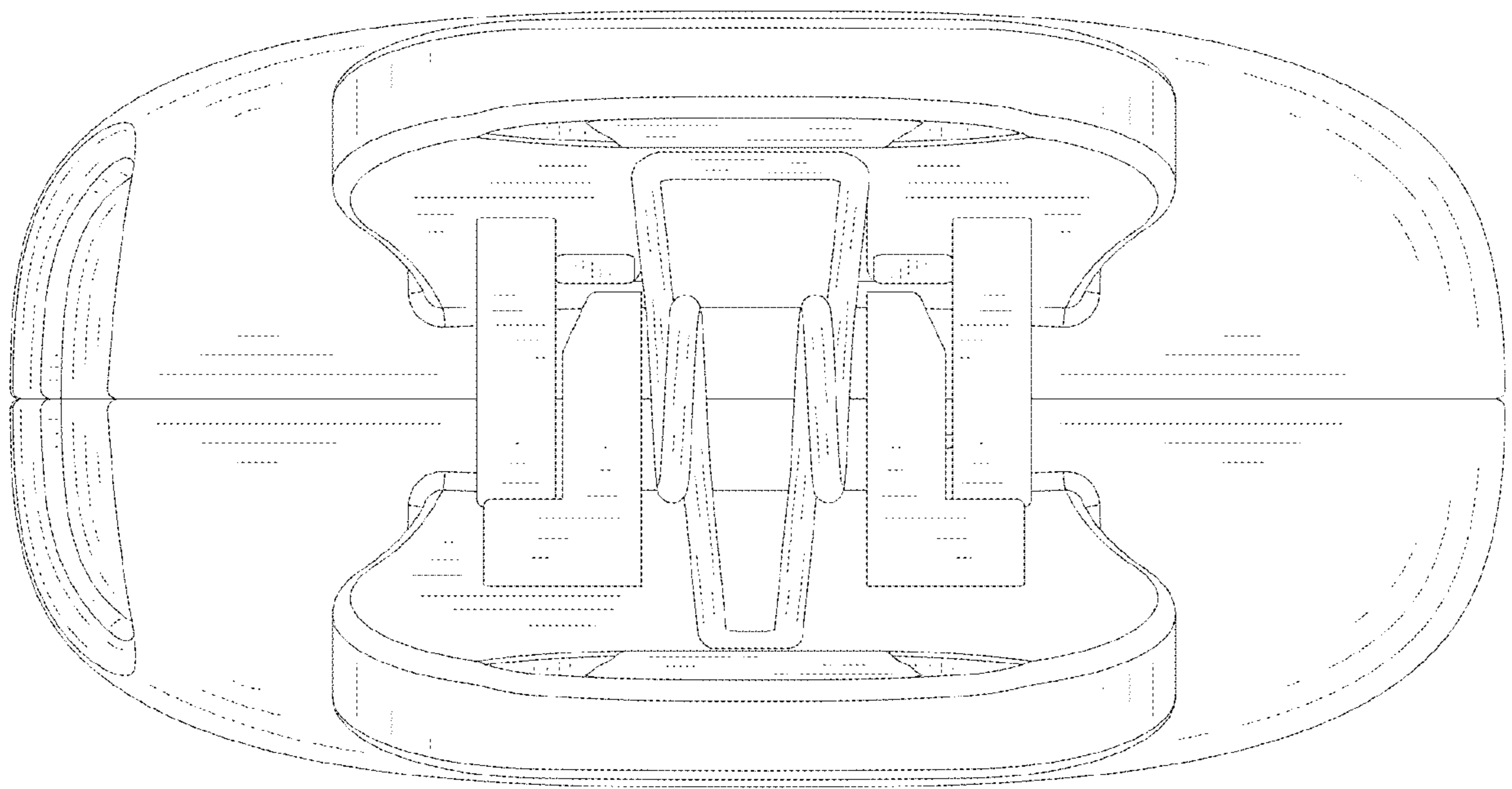


FIG. 7