



US00D930352S

(12) **United States Design Patent** (10) **Patent No.:** **US D930,352 S**  
**Jiang** (45) **Date of Patent:** **\*\* Sep. 14, 2021**

(54) **CASE FOR MOUTH GUARD**  
(71) Applicant: **Flash Electric Trade Inc**, Brighton, CO (US)  
(72) Inventor: **Gang Jiang**, Brighton, CO (US)  
(73) Assignee: **Flash Electric Trade Inc.**, Brighton, CO (US)  
(\*\*) Term: **15 Years**  
(21) Appl. No.: **29/762,962**  
(22) Filed: **Dec. 18, 2020**  
(51) **LOC (13) Cl.** ..... **03-01**  
(52) **U.S. Cl.**  
USPC ..... **D3/203.1**  
(58) **Field of Classification Search**  
USPC ..... D3/201, 203.1, 203.2, 203.3, 203.4, D3/203.5, 203.6, 205, 273, 294; D9/414, D9/420, 421  
CPC ..... B65D 25/04; B65D 25/10; B65D 43/16; A45C 5/005; A45C 5/08; A45C 2011/007; A61J 1/00  
See application file for complete search history.

D483,559 S \* 12/2003 Eldon, III ..... D3/203.1  
D494,359 S \* 8/2004 Eldon, III ..... D3/203.5  
D502,807 S \* 3/2005 Jaron ..... D3/273  
D503,831 S \* 4/2005 Ames ..... D28/78  
D506,611 S \* 6/2005 Hiller ..... D3/281  
D531,400 S \* 11/2006 Hornsby ..... D3/203.4  
D534,423 S \* 1/2007 Tanner ..... D9/426  
D540,038 S \* 4/2007 Hussaini ..... D3/201  
(Continued)

**OTHER PUBLICATIONS**

Ziznba Retainer Case, amazon.com, [https://www.amazon.com/Pack-Retainer-Solid-Orthodontic-Case-PINK/dp/B08BYMYZ5D/ref=sr\\_1\\_5?dchild=1&keywords=ziznba%2Bretainer%2Bcase&qid=1617130936&sr=8-5&th=1](https://www.amazon.com/Pack-Retainer-Solid-Orthodontic-Case-PINK/dp/B08BYMYZ5D/ref=sr_1_5?dchild=1&keywords=ziznba%2Bretainer%2Bcase&qid=1617130936&sr=8-5&th=1) (Year: 2020).\*  
(Continued)

*Primary Examiner* — Steven J Czyz  
(74) *Attorney, Agent, or Firm* — Rahman LLC

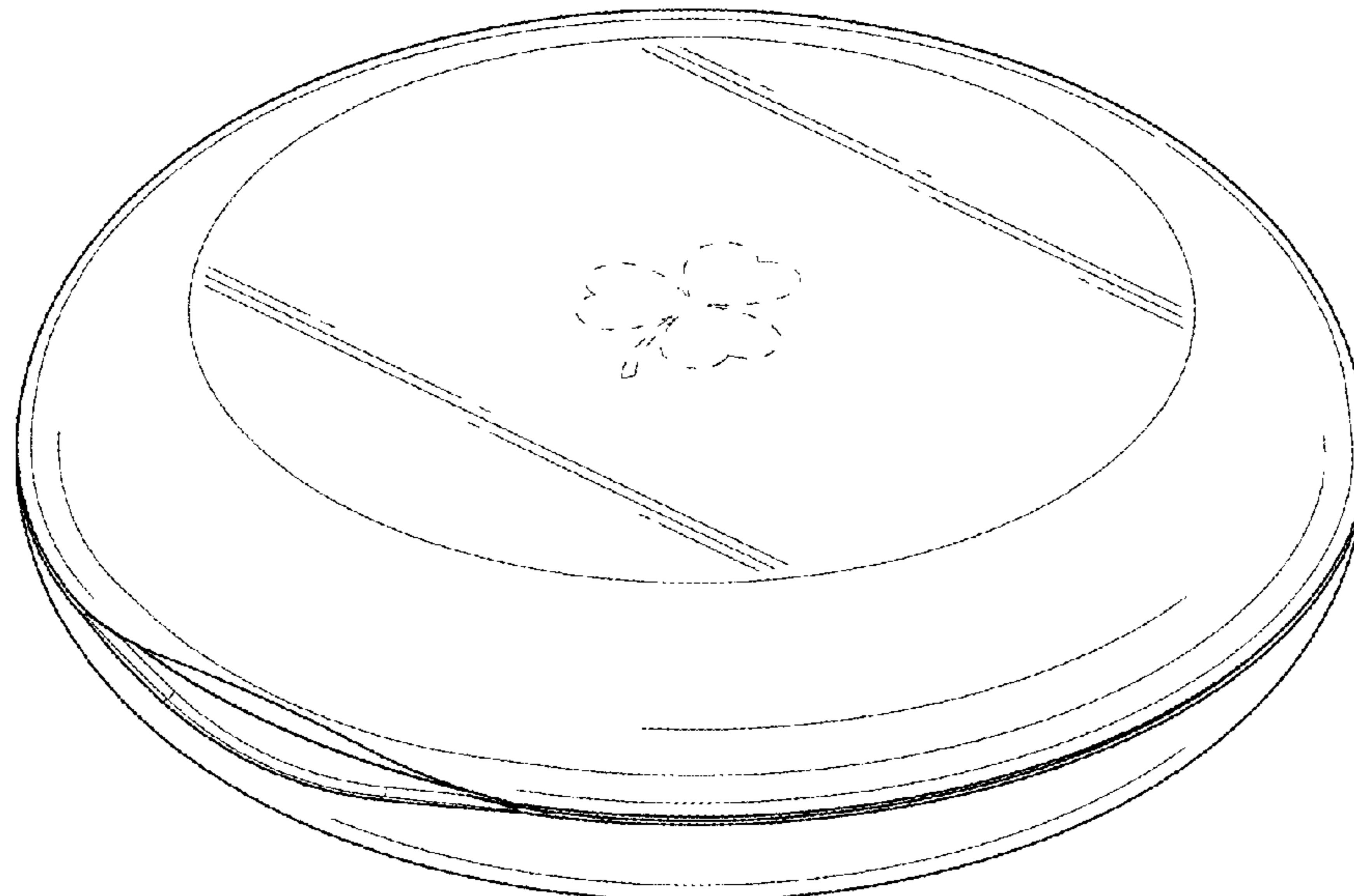
(57) **CLAIM**  
The ornamental design for a case for mouth guard, as shown and described.

**DESCRIPTION**

FIG. 1 is a top and front perspective view of a case for mouth guard, showing my design.  
FIG. 2 is a bottom and rear perspective view of thereof.  
FIG. 3 is a front elevation view thereof.  
FIG. 4 is a rear elevation view thereof.  
FIG. 5 is a left side elevation thereof.  
FIG. 6 is a right side elevation thereof.  
FIG. 7 is a top plan view thereof.  
FIG. 8 is a bottom plan view thereof; and,  
FIG. 9 is a perspective view of the case for mouth guard of FIG. 1 wherein the top of the case for mouth guard is open. The broken lines illustrate portions of the case for mouth guard that form no part of the claimed design.

**1 Claim, 9 Drawing Sheets**

(56) **References Cited**  
U.S. PATENT DOCUMENTS  
D257,790 S \* 1/1981 Kesling ..... D24/227  
D258,575 S \* 3/1981 Stettler ..... D28/78  
D286,137 S \* 10/1986 Huck ..... D3/203.3  
D307,388 S \* 4/1990 Newell ..... D3/203.2  
D322,031 S \* 12/1991 Fleming ..... D9/424  
D353,744 S \* 12/1994 Ferris ..... D7/629  
D363,661 S \* 10/1995 Lambelet, Jr. .... D3/203.4  
D381,124 S \* 7/1997 Blachut ..... D28/78  
D382,198 S \* 8/1997 Mulhauser ..... D3/203.4  
D400,011 S \* 10/1998 Palmer ..... D3/294  
D406,396 S \* 3/1999 Granwehr ..... D28/76  
D443,981 S \* 6/2001 DiVincenzo ..... D3/205  
D480,864 S \* 10/2003 Sayers ..... D3/203.1



(56)

References Cited

U.S. PATENT DOCUMENTS

7,201,271 B1 \* 4/2007 Saad ..... A45C 11/00  
 132/315  
 D588,908 S \* 3/2009 Silvenis ..... D3/203.1  
 D595,839 S \* 7/2009 Miazga ..... D24/107  
 D595,899 S \* 7/2009 Krause-Neufeldt ..... D28/82  
 D612,595 S \* 3/2010 McCurdy ..... D3/218  
 D621,603 S \* 8/2010 Traylor ..... D3/203.2  
 D641,970 S \* 7/2011 Xu ..... D3/203.2  
 D697,302 S \* 1/2014 Pourcho ..... D3/203.1  
 D716,951 S \* 11/2014 Farrell ..... D24/176  
 D774,904 S \* 12/2016 Elston ..... D9/428  
 D816,994 S \* 5/2018 Fischer ..... D3/294  
 D851,913 S \* 6/2019 Yu ..... D3/201  
 D870,452 S \* 12/2019 Bedell ..... D3/203.1  
 D871,055 S \* 12/2019 Fornarelli ..... D3/203.3  
 D874,062 S \* 1/2020 McGarry ..... D28/47  
 D874,126 S \* 2/2020 Peters ..... D3/201  
 D876,818 S \* 3/2020 Lieberman ..... D3/203.1  
 D876,820 S \* 3/2020 Griffin ..... D3/203.1  
 D879,461 S \* 3/2020 Burts ..... D3/203.1  
 D883,654 S \* 5/2020 Cain ..... D3/203.1  
 D887,137 S \* 6/2020 Burek ..... D3/273  
 D890,511 S \* 7/2020 Dericco ..... D3/203.1  
 D891,082 S \* 7/2020 Wan ..... D3/203.2  
 D893,167 S \* 8/2020 Edmunds ..... D3/203.5

D896,515 S \* 9/2020 Cooper ..... D3/273  
 D899,085 S \* 10/2020 Bristol ..... D3/289  
 D902,578 S \* 11/2020 Bloch ..... D3/203.1  
 D904,024 S \* 12/2020 Koneru ..... D3/294  
 D904,763 S \* 12/2020 Koneru ..... D3/274  
 D904,764 S \* 12/2020 Koneru ..... D3/294  
 D912,474 S \* 3/2021 Hazelton ..... D7/602  
 D913,681 S \* 3/2021 Grimsley ..... D3/203.1  
 2008/0190444 A1 \* 8/2008 Bennett ..... A45D 33/16  
 132/306  
 2012/0305606 A1 \* 12/2012 Lee ..... A45D 33/02  
 222/256  
 2017/0305601 A1 \* 10/2017 Hall ..... A45C 13/26

OTHER PUBLICATIONS

Wellgler's Solid Orthodontic Retainer Case, amazon.com, [https://www.amazon.com/Wellglers-Solid-Orthodontic-Retainer-Case/dp/B08LN6PC9T?ref\\_ast\\_sto\\_dp](https://www.amazon.com/Wellglers-Solid-Orthodontic-Retainer-Case/dp/B08LN6PC9T?ref_ast_sto_dp) (Year: 2021).\*  
 Melonsun Retainer Case, amazon.com, [https://www.amazon.com/Aligner-Retainer-Special-Magnetic-Closure/dp/B08LKYRLQS/ref=sr\\_1\\_3?dchild=1&keywords=melonsun&qid=1617127826&sr=8-3](https://www.amazon.com/Aligner-Retainer-Special-Magnetic-Closure/dp/B08LKYRLQS/ref=sr_1_3?dchild=1&keywords=melonsun&qid=1617127826&sr=8-3) (Year: 2021).\*  
 Invisalign Aligner and Retainer Case, amazon.com, <https://www.amazon.com/INVISALIGN-Invisalign-Aligner-Case/dp/B07HCQH2N4> (Year: 2021).\*

\* cited by examiner

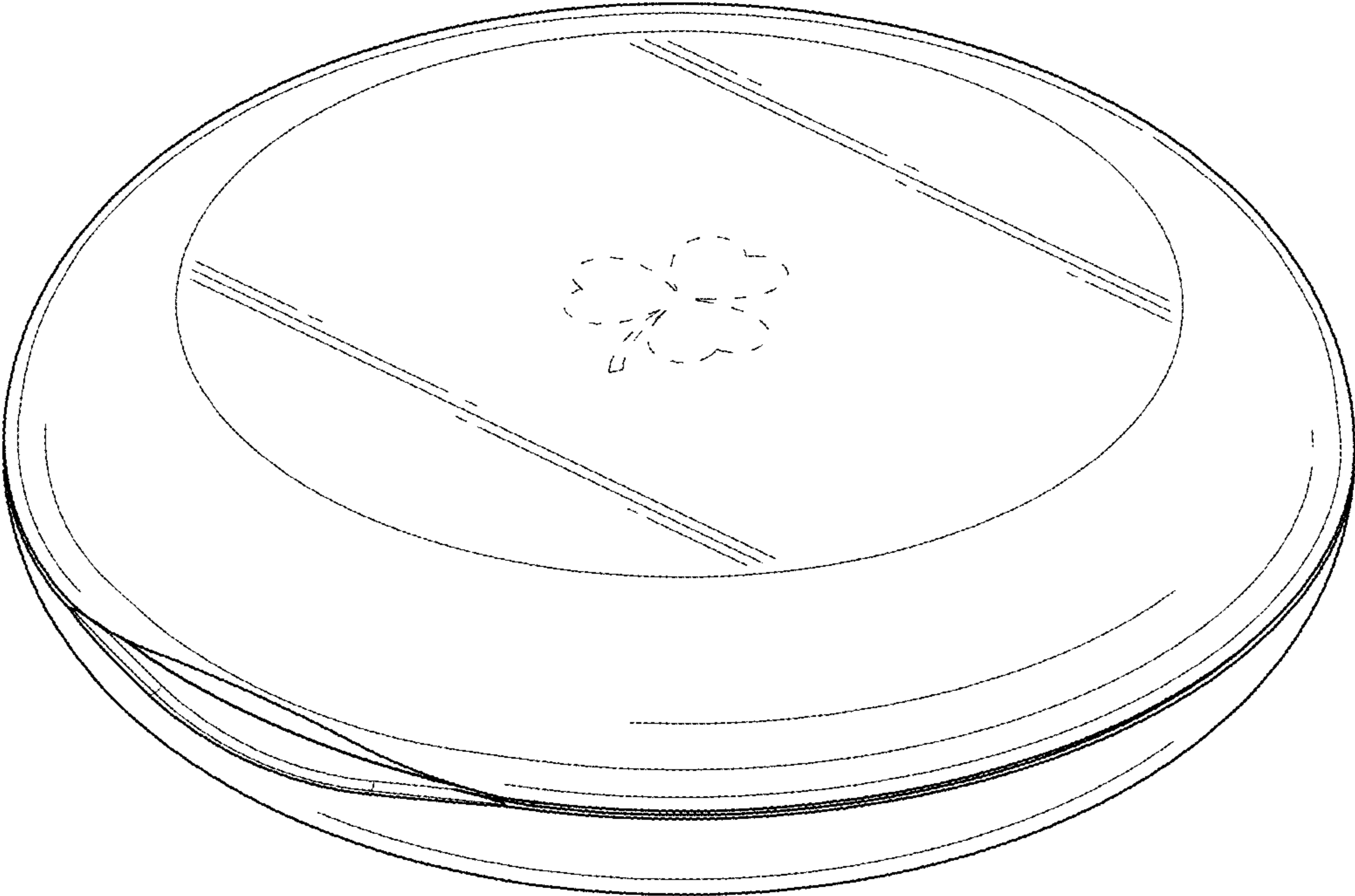


FIG.1

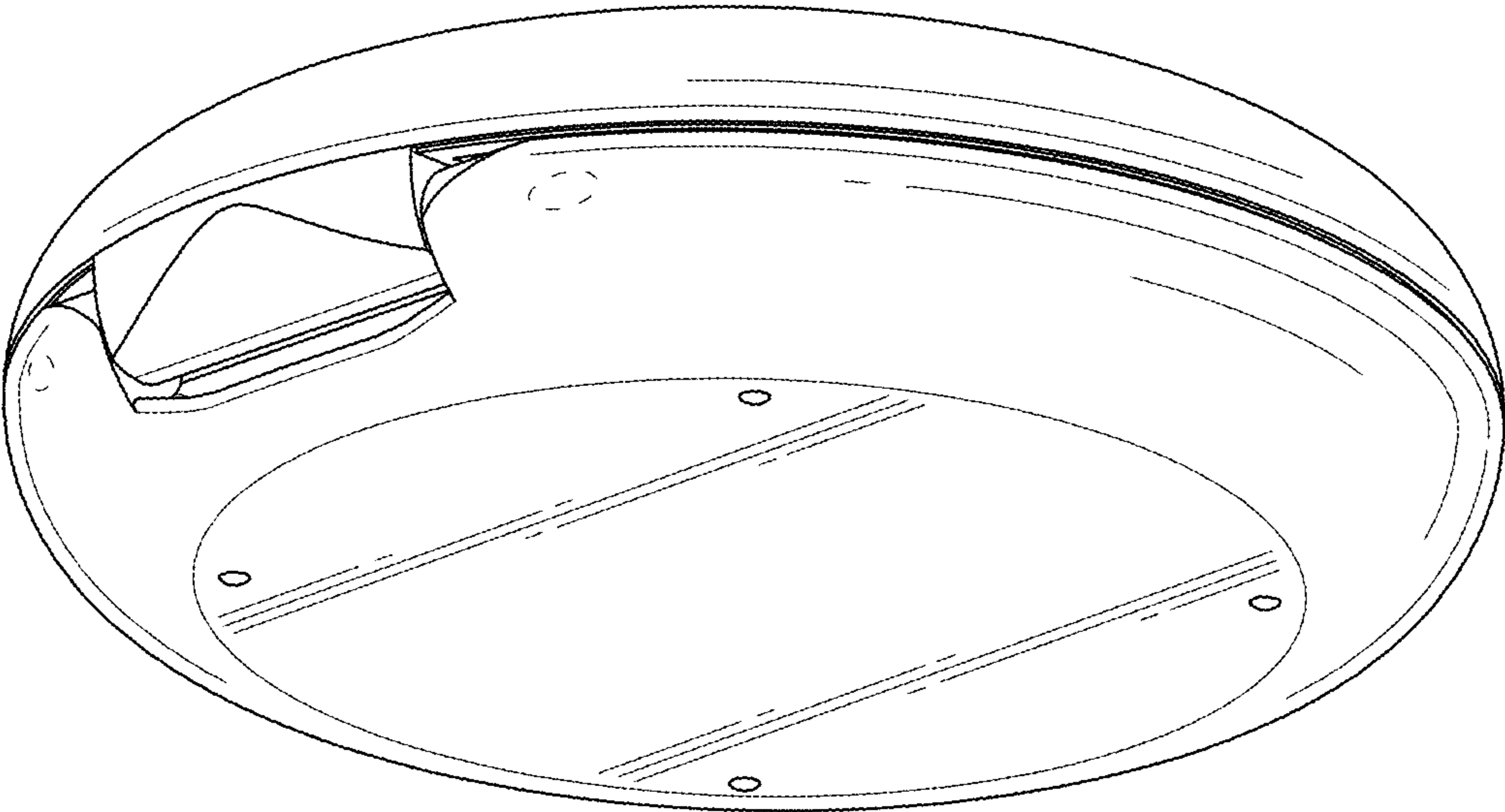


FIG.2



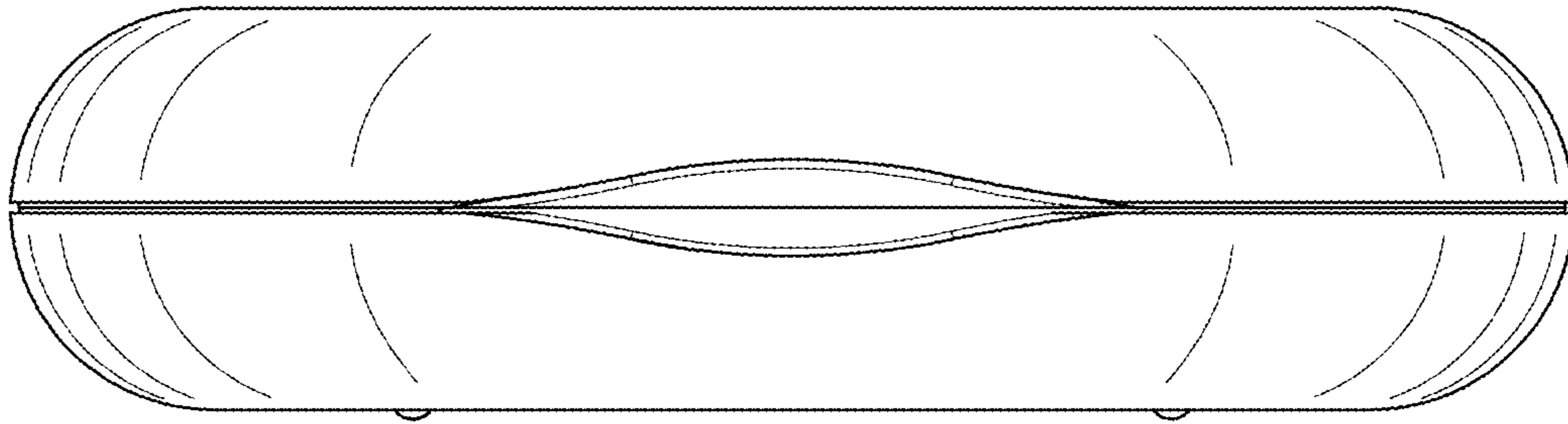


FIG.3

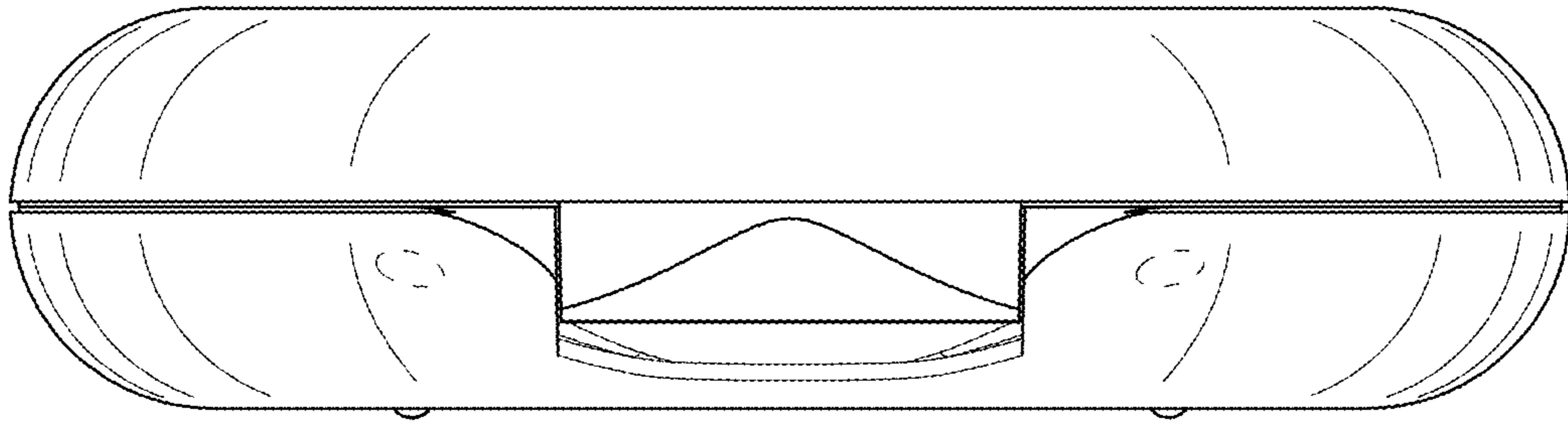


FIG.4

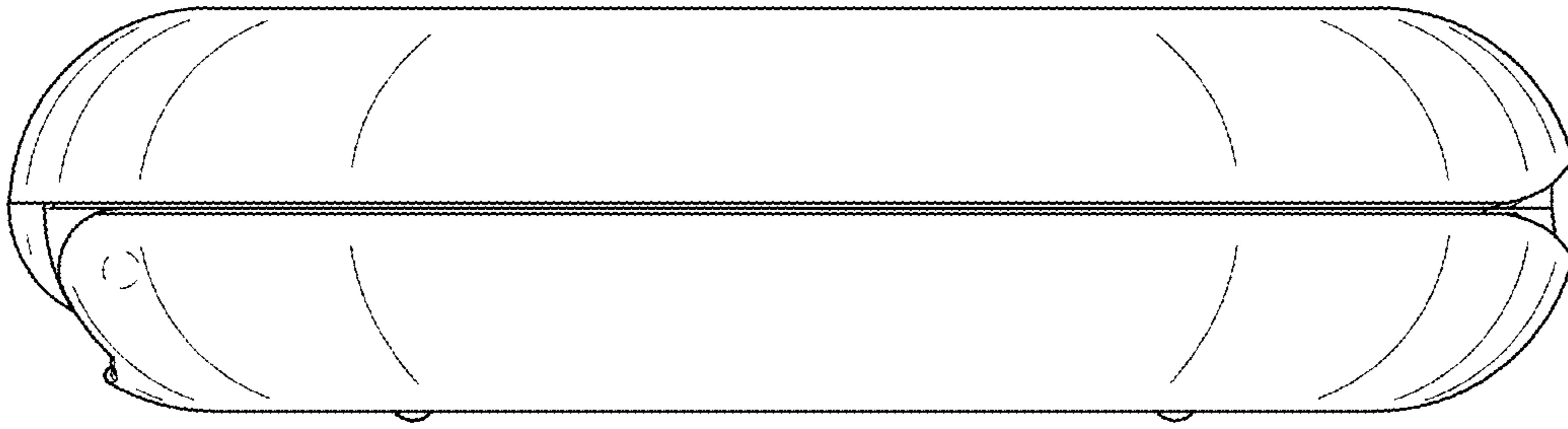


FIG.5

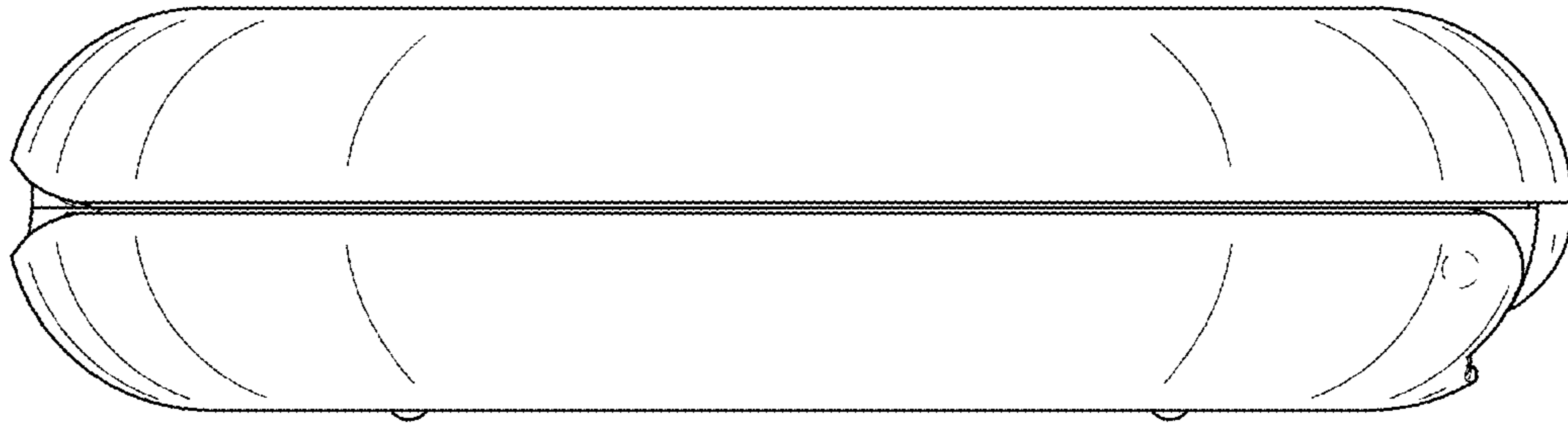


FIG.6



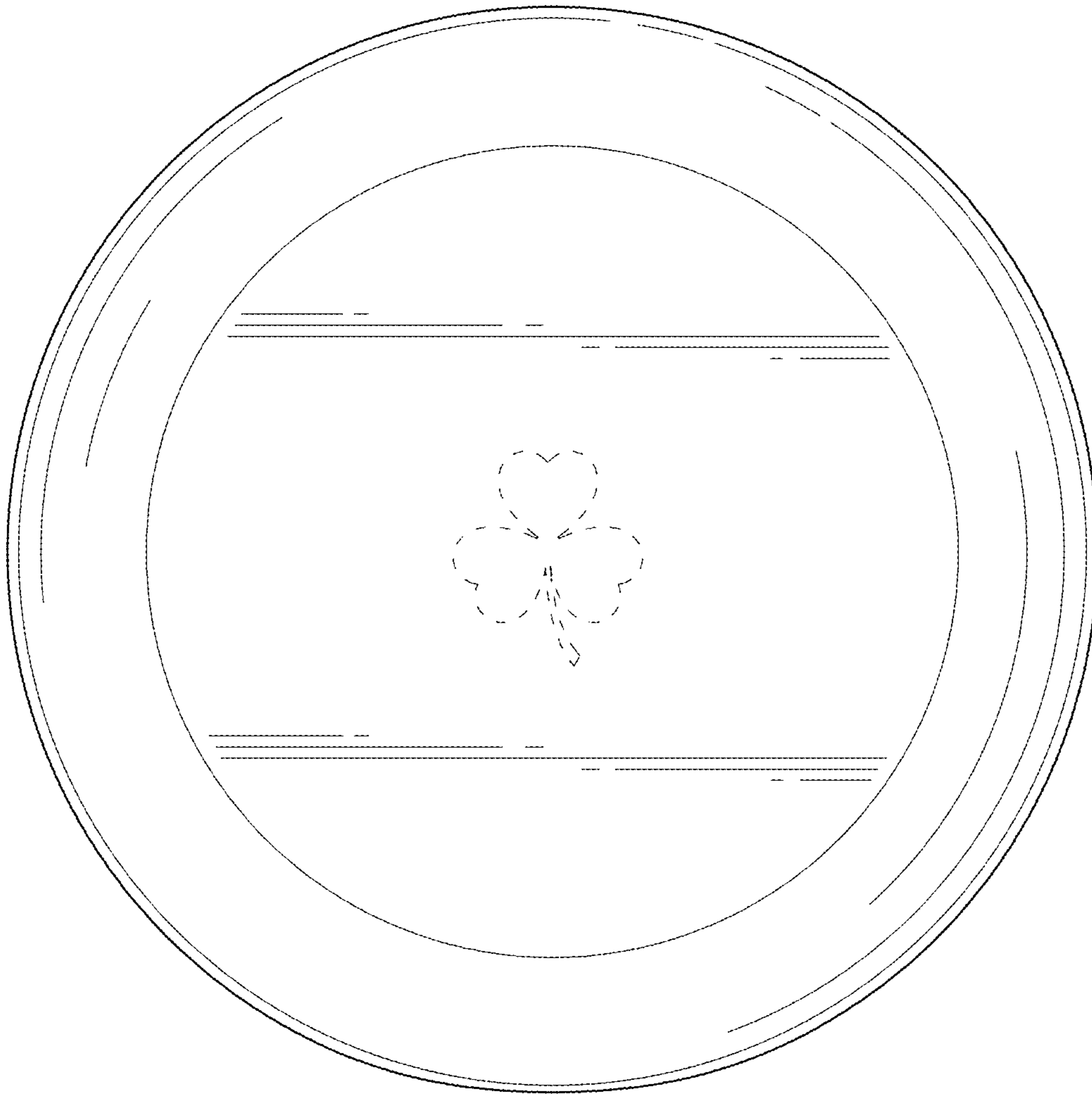


FIG.7

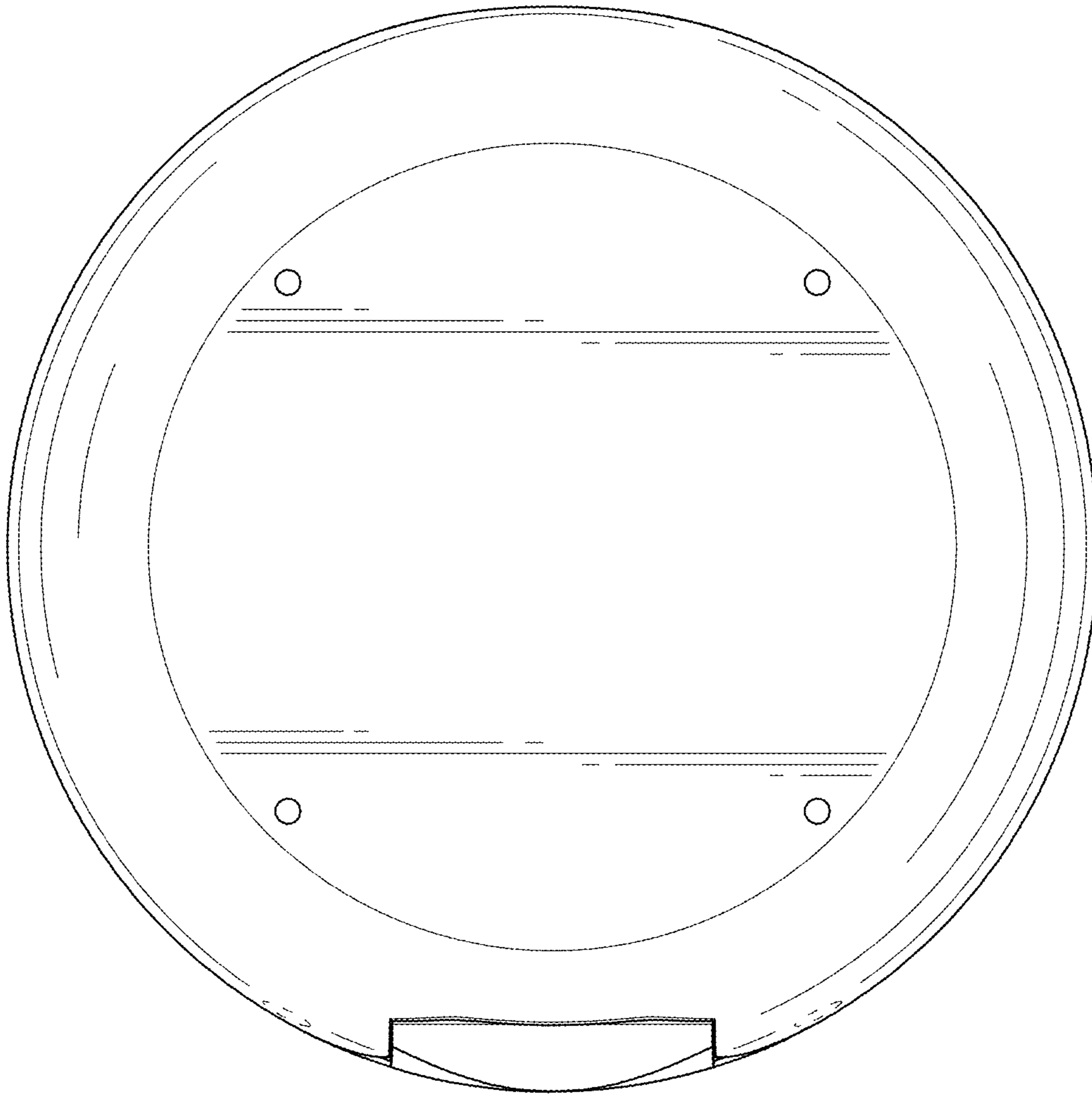


FIG.8

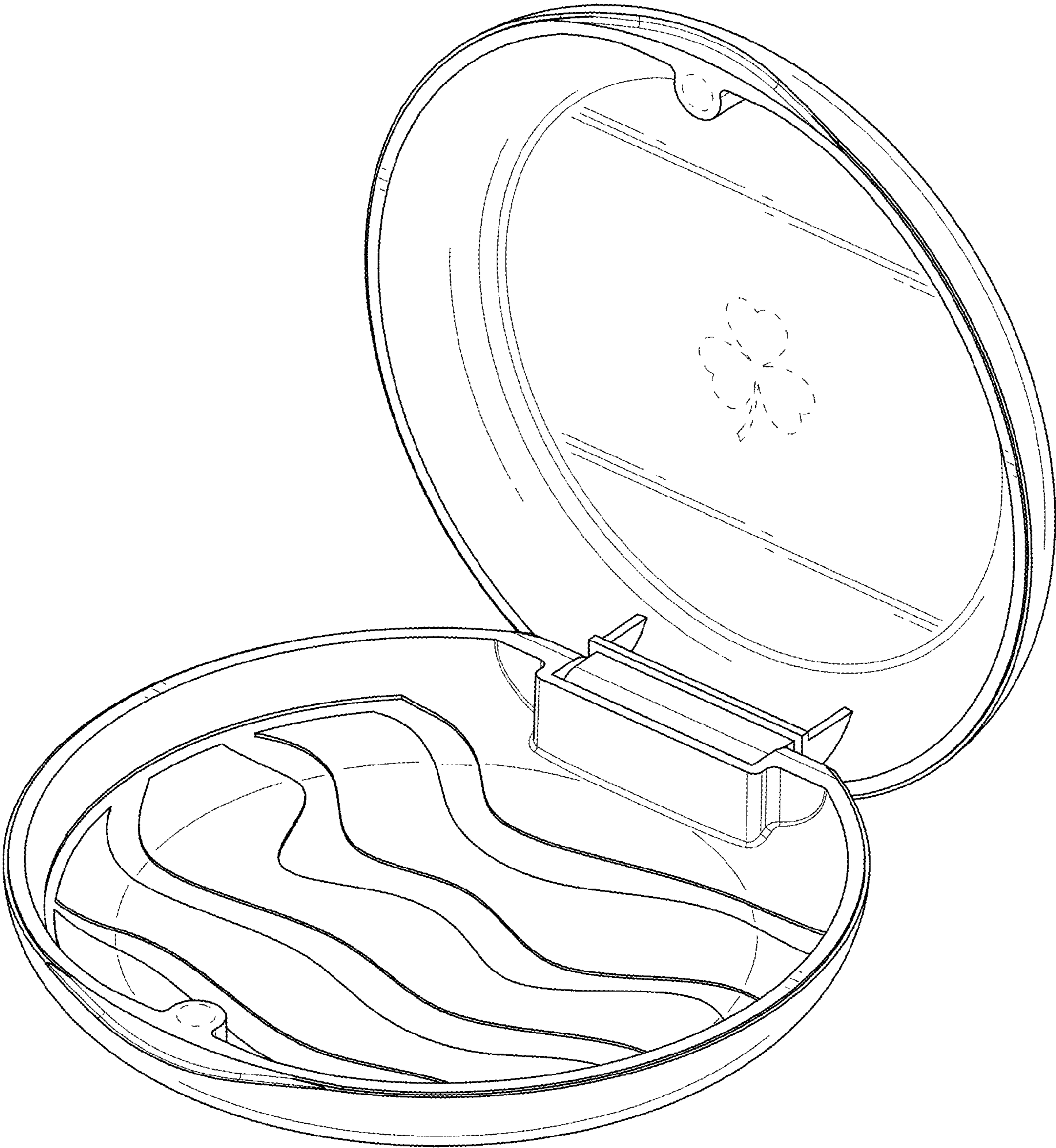


FIG.9