



US00D930351S

(12) **United States Design Patent**  
**Campbell et al.**

(10) **Patent No.:** **US D930,351 S**

(45) **Date of Patent:** **\*\* Sep. 14, 2021**

- (54) **AQUA POUCH**
- (71) Applicant: **Pouch Australia Pty Ltd**, Willunga (AU)
- (72) Inventors: **Kate Campbell**, Willunga (AU); **Kate O'Donoghue**, Willunga (AU)
- (73) Assignee: **Pouch Australia Pty Ltd**, Willunga (AU)
- (\*\*) Term: **15 Years**
- (21) Appl. No.: **29/723,550**
- (22) Filed: **Feb. 7, 2020**
- (51) **LOC (13) Cl.** ..... **09-02**
- (52) **U.S. Cl.**  
USPC ..... **D3/202**
- (58) **Field of Classification Search**  
USPC ..... D3/201, 202, 226, 229, 244; D21/398;  
D7/607, 628, 619.1, 624.3  
CPC ... A45C 11/00; A45C 2200/20; A45C 7/0059;  
A45F 3/18; A45F 3/02; B65D 81/3876;  
B65D 33/28; Y10S 220/903  
See application file for complete search history.

- D355,300 S \* 2/1995 Smith ..... D3/287
- D373,016 S \* 8/1996 Welsh ..... D3/202
- D374,975 S \* 10/1996 Vargas ..... D3/202
- D392,095 S \* 3/1998 Myers ..... D3/229
- D395,951 S \* 7/1998 Gianatiempo ..... D3/229
- D408,624 S \* 4/1999 Earvin ..... D3/202
- D414,930 S \* 10/1999 Rausch ..... D3/229
- D415,390 S \* 10/1999 Winnington-Ingram ..... D3/202
- D437,481 S \* 2/2001 Vazquez ..... A45C 7/0063  
D3/232
- D456,605 S \* 5/2002 Vazquez ..... D3/244
- 6,401,993 B1 \* 6/2002 Andrino ..... A45F 5/00  
224/148.5
- D460,616 S \* 7/2002 Vazquez ..... D3/244
- D472,047 S \* 3/2003 Vazquez ..... D3/244
- D473,374 S \* 4/2003 Vazquez ..... A45C 7/0063  
D3/244
- 6,550,271 B2 \* 4/2003 Silbert ..... A45C 11/20  
62/371
- 6,701,947 B1 \* 3/2004 Ramos ..... A45B 25/24  
135/34.2

(Continued)

*Primary Examiner* — Steven J Czyz  
(74) *Attorney, Agent, or Firm* — Bay State IP, LLC

(57) **CLAIM**

The ornamental design for an aqua pouch, as shown and described.

**DESCRIPTION**

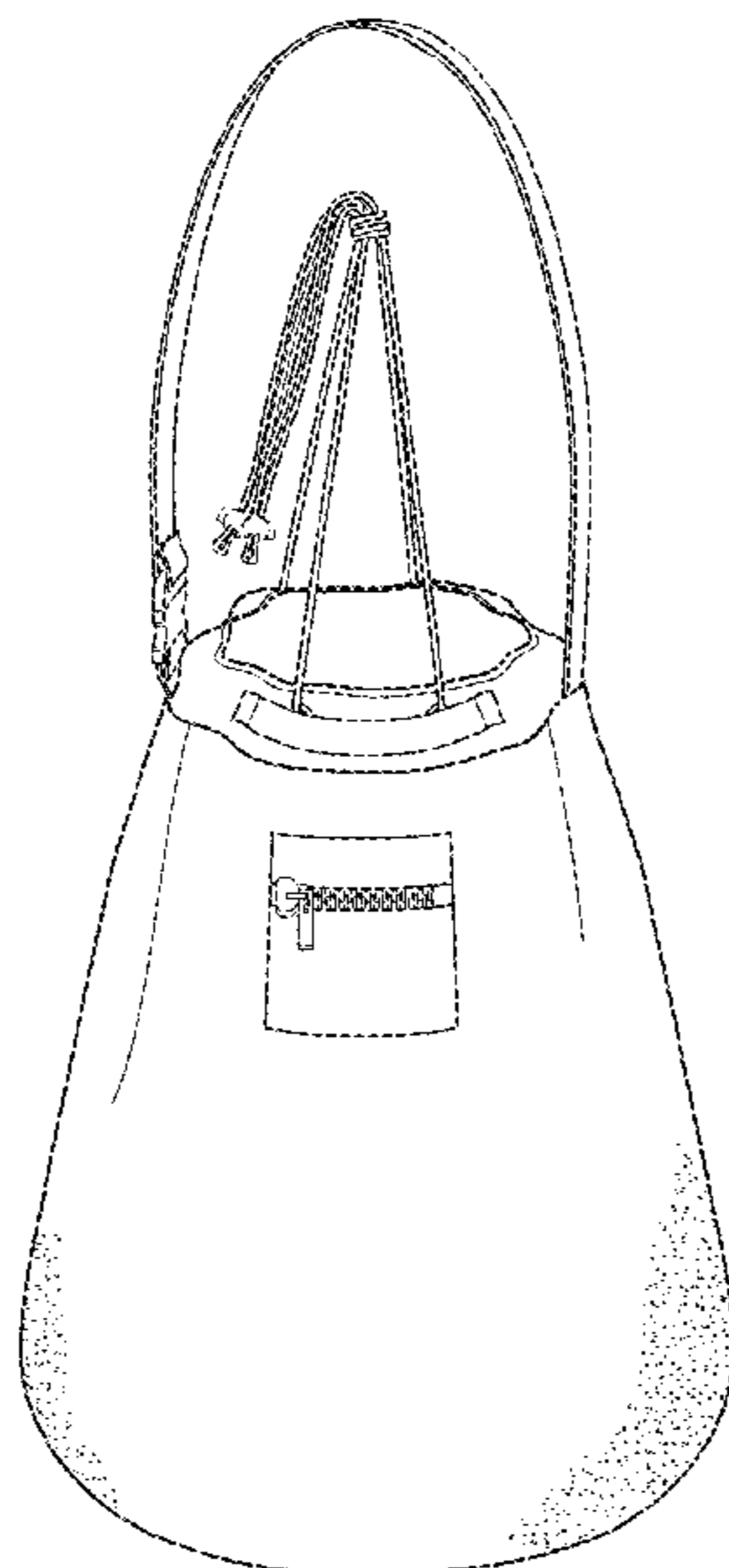
FIG. 1 is a perspective view of an aqua pouch showing our new design;  
FIG. 2 is a front view thereof;  
FIG. 3 is a back view thereof;  
FIG. 4 is a left side view thereof;  
FIG. 5 is a right side view thereof;  
FIG. 6 is a top view thereof; and,  
FIG. 7 is a bottom view thereof.  
The broken lines in the drawings depict portions of the aqua pouch that form no part of the claimed design.

**1 Claim, 4 Drawing Sheets**

(56) **References Cited**

U.S. PATENT DOCUMENTS

- 3,339,794 A \* 9/1967 Radtke ..... A47J 41/0083  
220/760
- D261,075 S \* 10/1981 Dolas ..... D3/244
- D273,833 S \* 5/1984 Taylor ..... D3/244
- 5,033,613 A \* 7/1991 Liggett ..... B65D 33/28  
206/77.1
- 5,183,183 A \* 2/1993 Hernandez ..... A45F 3/16  
206/221
- D334,870 S \* 4/1993 Griffin ..... D3/202
- D340,583 S \* 10/1993 Kahn ..... D3/202
- D344,413 S \* 2/1994 Bedrosian ..... D3/202
- D347,365 S \* 5/1994 McKay ..... D3/202



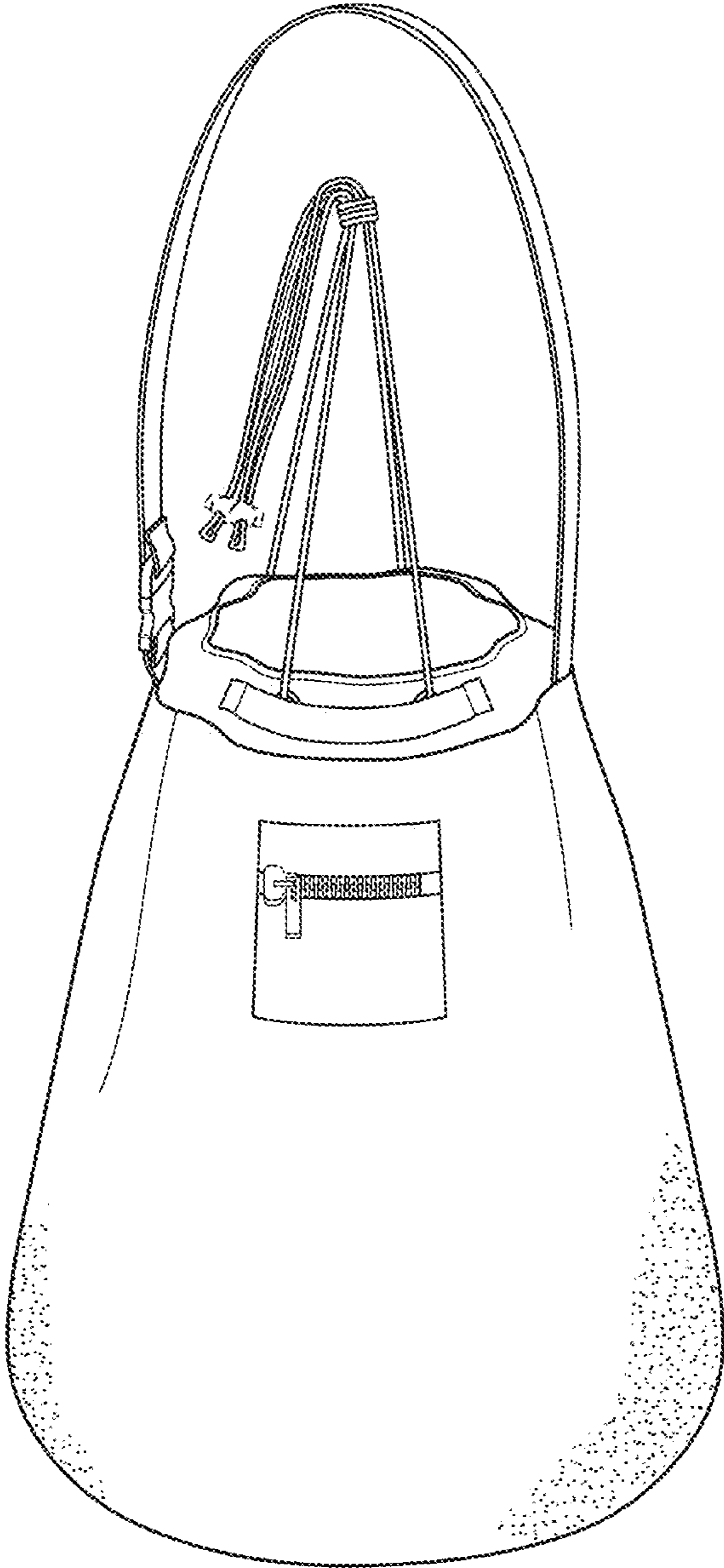
(56)

References Cited

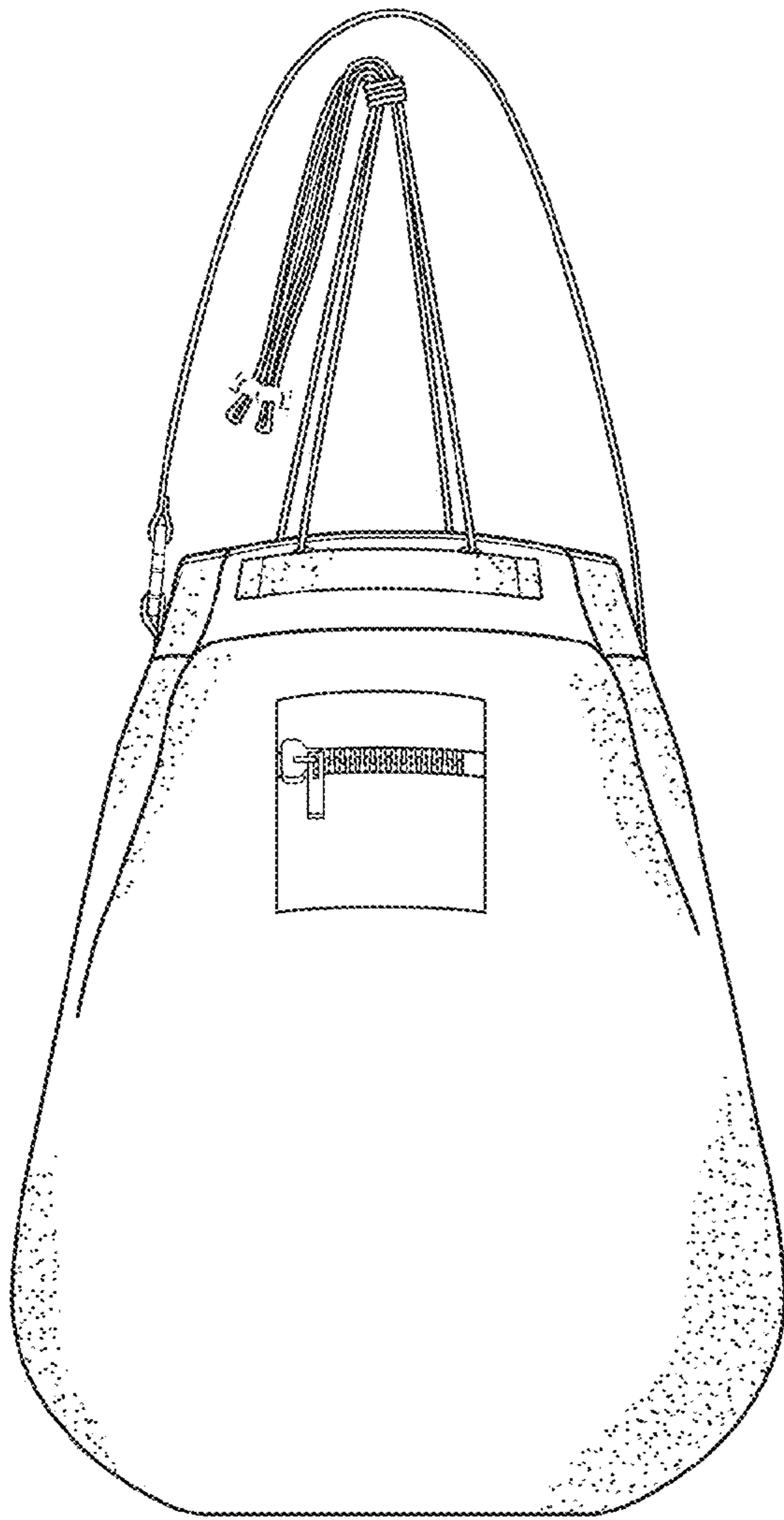
U.S. PATENT DOCUMENTS

D494,366 S *	8/2004	Gognat	.....	D3/300	D732,821 S *	6/2015	Baron	.....	D3/244
D534,040 S *	12/2006	Cope	.....	D7/607	D755,502 S *	5/2016	Halter	.....	D3/202
D537,627 S *	3/2007	Vazquez	.....	D3/244	D767,272 S *	9/2016	Gibson	.....	D3/244
D538,040 S *	3/2007	Vazquez	.....	D3/303	D770,164 S *	11/2016	Gamble	.....	D3/202
D544,312 S *	6/2007	Dill-Schmidt	.....	D7/624.3	D774,747 S *	12/2016	Gamble	.....	D3/202
D587,895 S *	3/2009	Patadia	.....	D3/201	D780,442 S *	3/2017	Tidwell	.....	D3/229
D588,812 S *	3/2009	Springston	.....	A45B 25/24	D787,175 S *	5/2017	Winters Giesting ...	A45B 25/24	D3/202
				D3/202					
D615,364 S *	5/2010	Fryman	.....	D7/607	D790,209 S *	6/2017	Thai	.....	D3/202
D622,954 S *	9/2010	Porter-Young	.....	A45C 7/0063	D794,951 S *	8/2017	Gavriel	.....	D3/244
				D3/202	D835,407 S *	12/2018	Philo	.....	D3/244
D627,158 S *	11/2010	Dreyfuss	.....	D3/244	D840,674 S *	2/2019	Earhart	.....	D3/202
D669,654 S *	10/2012	Rogerson	.....	D34/39	D849,392 S *	5/2019	Duran	.....	D3/202
D681,948 S *	5/2013	Lion	.....	D3/244	D859,809 S *	9/2019	Boone	.....	A45B 25/24
9,010,591 B2 *	4/2015	Paulitsch	.....	A45F 5/00					D3/11
				224/148.6	D862,070 S *	10/2019	Dumas	.....	D3/217
					D866,172 S *	11/2019	Vaccarello	.....	D3/244
					D866,952 S *	11/2019	Duran	.....	D3/202
					D874,127 S *	2/2020	Wang	.....	D3/202

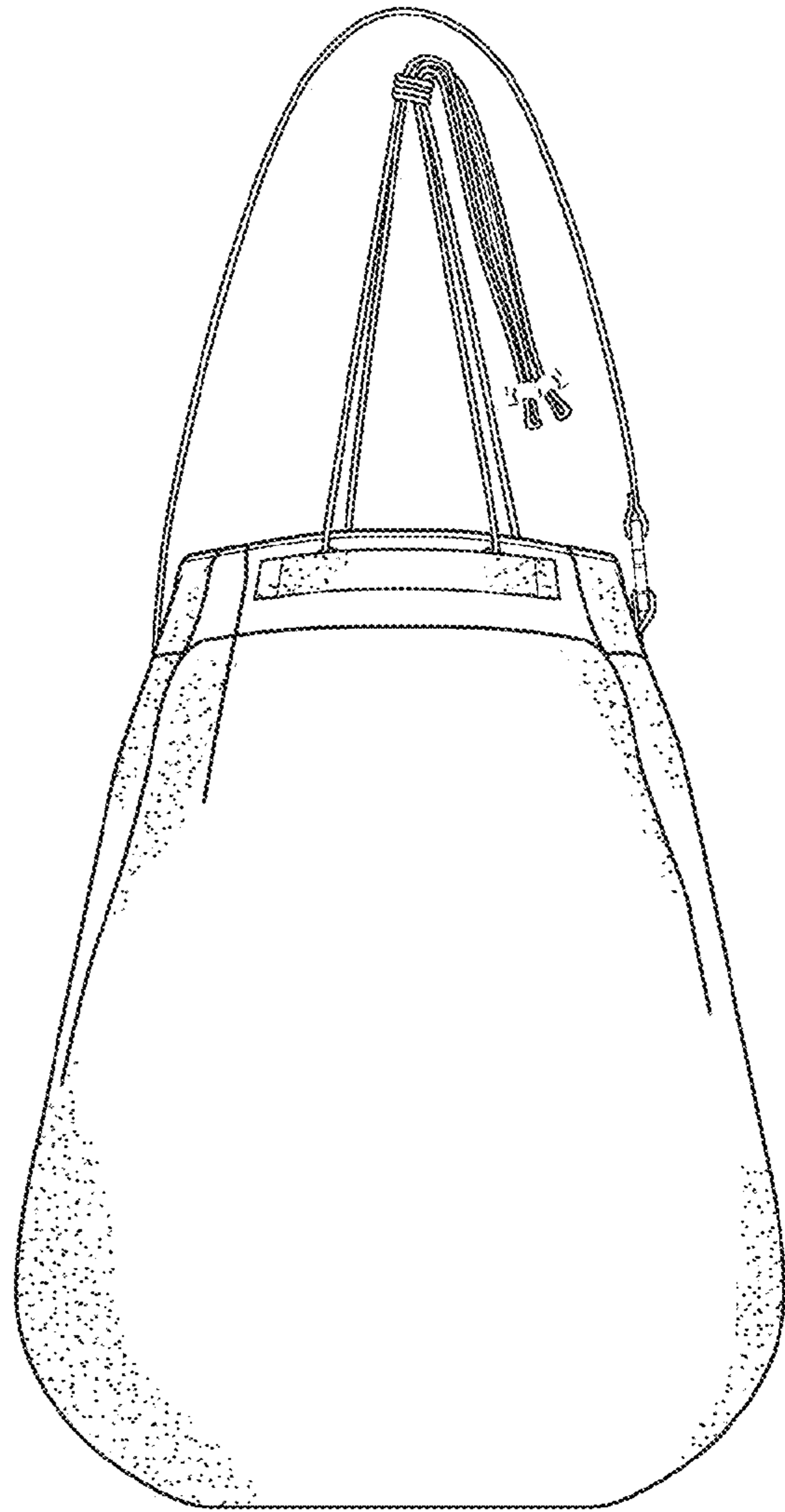
\* cited by examiner



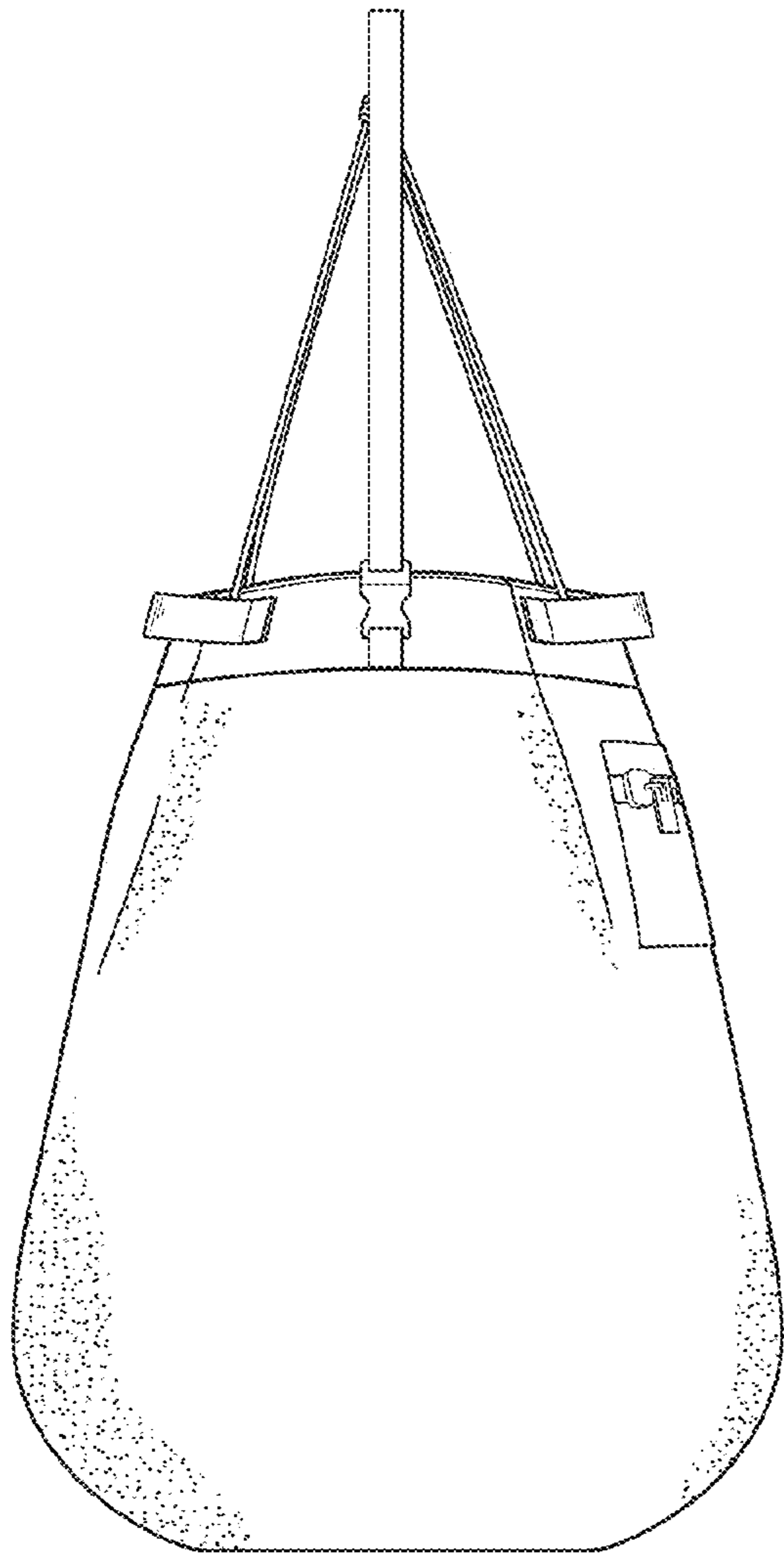
*Fig. 1*



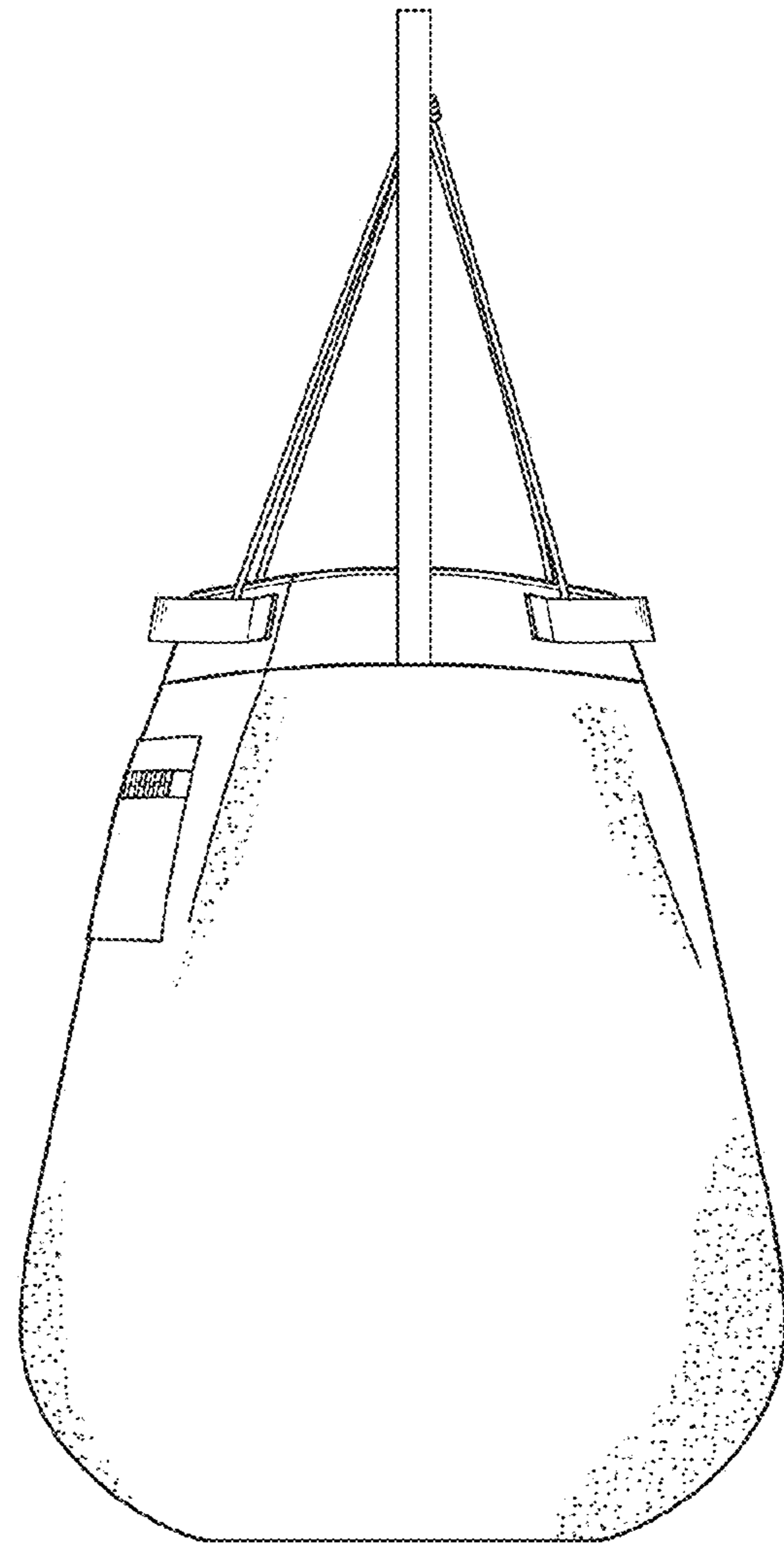
*Fig. 2*



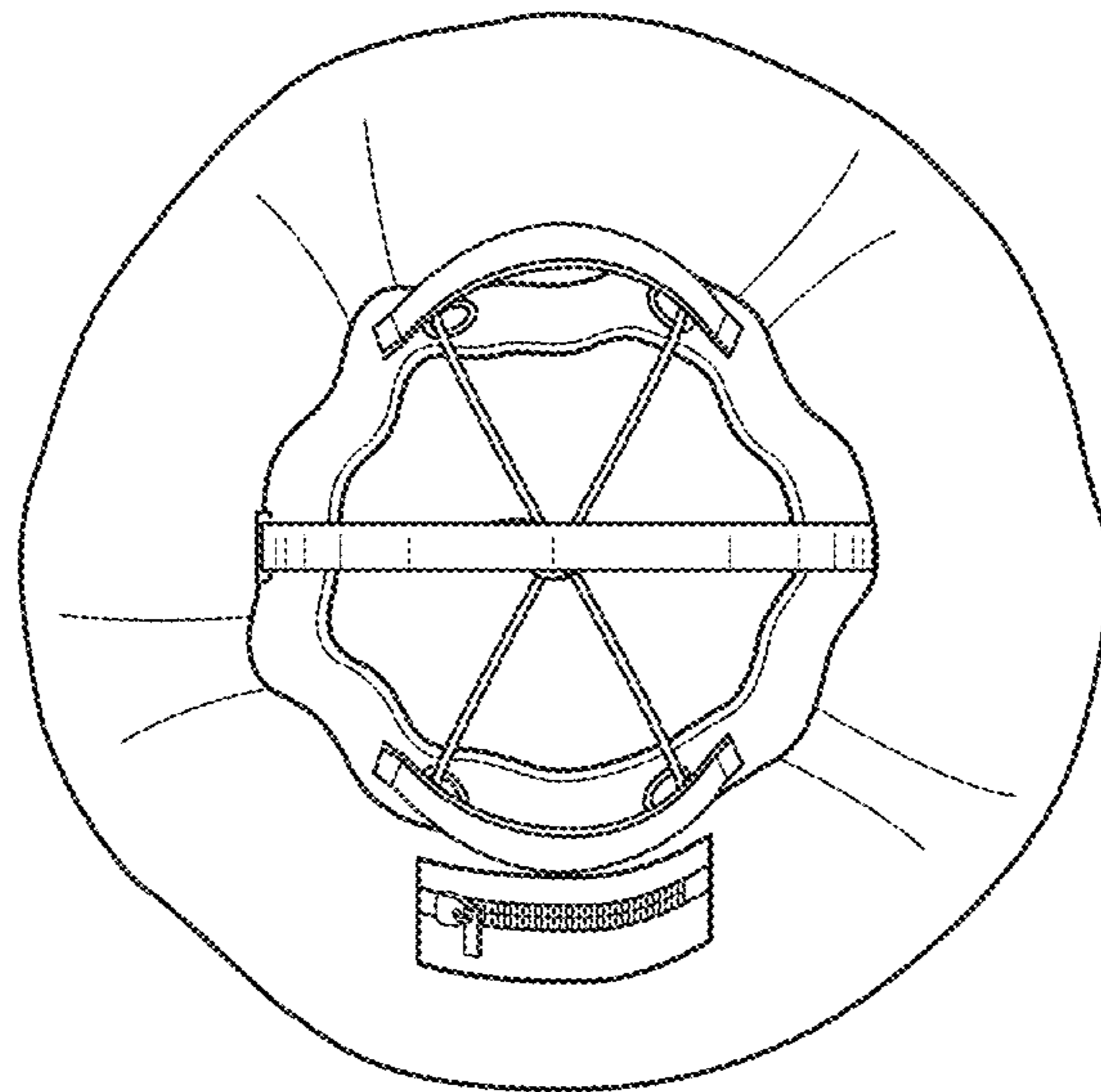
*Fig. 3*



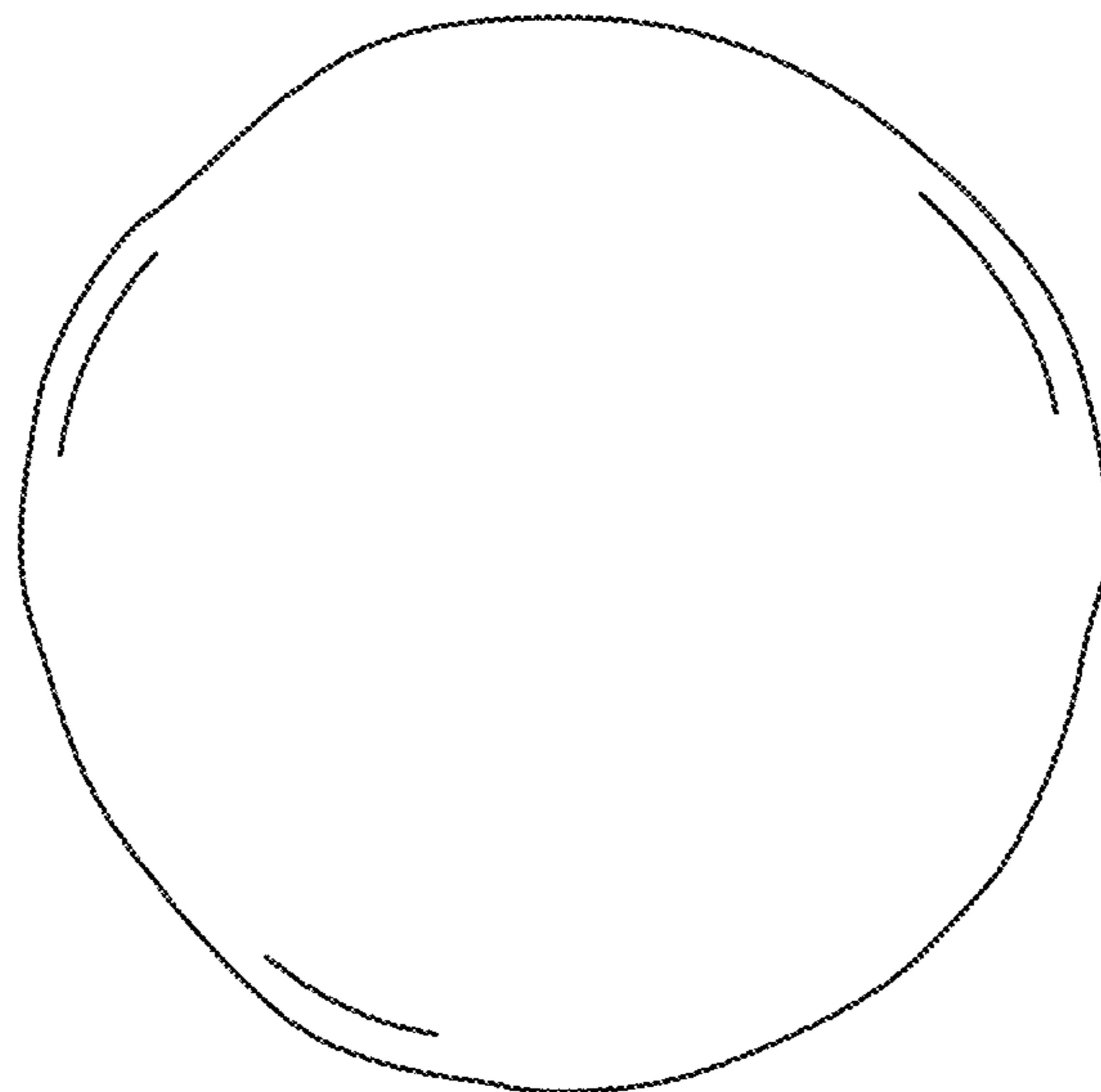
*Fig. 4*



*Fig. 5*



*Fig. 6*



*Fig. 7*