



US00D930329S

(12) **United States Design Patent**
Waldman

(10) **Patent No.:** **US D930,329 S**

(45) **Date of Patent:** **** Sep. 14, 2021**

(54) **SWIMSUIT**

(71) Applicant: **Global Trademarks, Inc.**, Easton, PA
(US)

(72) Inventor: **Mark Waldman**, New Hope, PA (US)

(73) Assignee: **Global Trademarks, Inc.**

(**) Term: **15 Years**

(21) Appl. No.: **29/771,043**

(22) Filed: **Feb. 19, 2021**

Related U.S. Application Data

(62) Division of application No. 29/703,746, filed on Aug. 29, 2019.

(51) **LOC (13) Cl.** **02-02**

(52) **U.S. Cl.**
USPC **D2/731**

(58) **Field of Classification Search**

USPC D2/700, 702, 703, 706, 708, 731, 732,
D2/733, 734, 735, 736, 737, 738, 840,
D2/756, 757, 785, 790, 811, 819

CPC .. A41B 9/00; A41C 1/00; A41C 1/003; A41C
1/06; A41C 3/00; A41C 3/0057; A41C
3/08; A41D 7/00; A41D 13/04; A41D
2400/24; A41D 2400/38; A41D 31/00

See application file for complete search history.

(56) **References Cited**

U.S. PATENT DOCUMENTS

1,931,822 A 4/1933 Hoffman
2,060,689 A 10/1935 Read
D111,201 S 9/1938 Imerman
D117,439 S * 10/1939 Fusco D2/757
D119,715 S * 3/1940 Berman D2/819
D132,339 S 5/1942 Miller

D138,718 S * 9/1944 Kohlhepp D2/790
D150,992 S 9/1948 Laszlo
D160,221 S 9/1950 Sinsley
2,635,244 A * 4/1953 Lewis A41B 13/00
2/75
D173,927 S 2/1955 Anthony et al.
D174,115 S 3/1955 Imerman
D179,553 S 1/1957 Anderson
4,377,007 A * 3/1983 Sudjian A41D 15/002
2/105
4,528,699 A 7/1985 Hughes
D285,622 S 9/1986 Greene
(Continued)

OTHER PUBLICATIONS

Amazon Fashion; Miraclesuit, Luxe Leopard Siren One-Piece;
internet at <https://www.amazon.com/Miraclesuit-6511517-Leopard-Siren-One-Piece/dp/B076C6DKYS>. Printed Nov. 20, 2018. US.

(Continued)

Primary Examiner — Jasmine Mlinarcik

(74) *Attorney, Agent, or Firm* — Belles Katz LLC

(57) **CLAIM**

The ornamental design for a swimsuit, as shown and described.

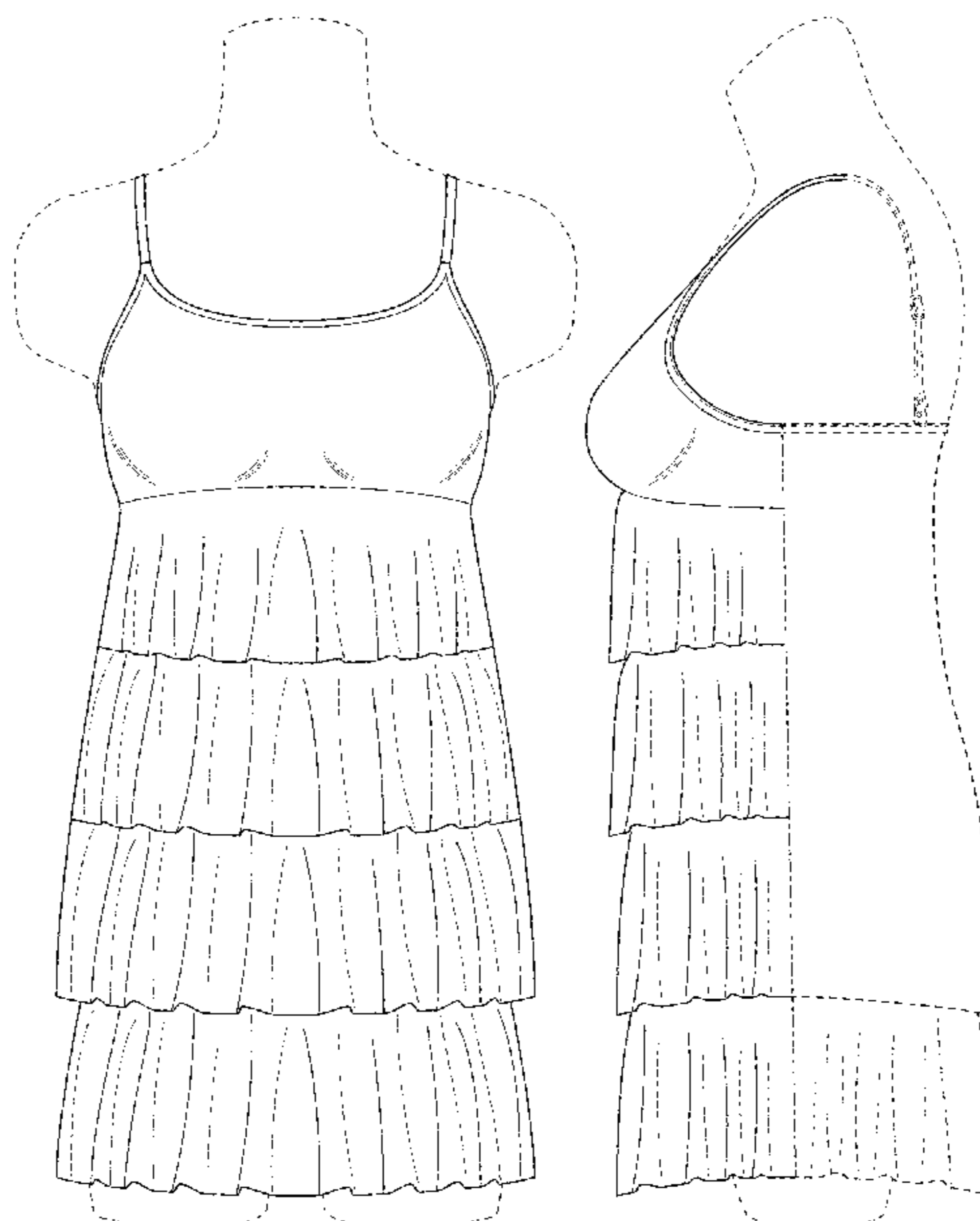
DESCRIPTION

FIG. 1 is a front view of a swimsuit showing my new design. FIG. 2 is a rear view thereof.

FIG. 3 is a left side view thereof; and, FIG. 4 is a right side view thereof.

The broken lines illustrating a model are for environmental purposes only and form no part of the claimed design. The broken lines illustrating portions of the swimsuit form no part of the claimed design. The dot-dash broken lines define the bounds of the claimed design and form no part thereof.

1 Claim, 4 Drawing Sheets



(56)

References Cited

U.S. PATENT DOCUMENTS

4,815,145 A * 3/1989 Chow A41D 7/00
2/67

5,083,316 A 1/1992 Kuehner et al.
5,184,968 A 2/1993 Michalochick et al.
5,359,732 A 11/1994 Waldman et al.
D600,880 S 9/2009 Waldman
D600,889 S 9/2009 Schlueter Langdon
D609,882 S 2/2010 Holder
D613,036 S 4/2010 Waldman
D613,477 S 4/2010 Waldman
D616,627 S 6/2010 Schindler
D620,229 S 7/2010 Waldman
D622,477 S 8/2010 Schindler
D625,079 S 10/2010 Souza
D630,821 S 1/2011 Anderson
D634,510 S 3/2011 Waldman
D635,740 S 4/2011 Waldman
D636,559 S 4/2011 Maestrales
D641,958 S 7/2011 Waldman
D654,665 S 2/2012 Lam
D679,071 S 4/2013 Waldman
D687,212 S 8/2013 Waldman et al.
D693,542 S 11/2013 Waldman
D701,675 S 4/2014 Waldman
8,726,700 B2 5/2014 Waldman et al.
D706,019 S 6/2014 Waldman
8,769,718 B2 7/2014 Riehl
8,806,359 B2 8/2014 Garibaldi et al.
D717,523 S 11/2014 Waldman
D727,594 S 4/2015 Waldman
D728,896 S 5/2015 Waldman
D728,897 S 5/2015 Waldman
D729,496 S 5/2015 Tucker
D730,620 S 6/2015 Tucker
D731,145 S 6/2015 Davis
D731,146 S 6/2015 Dweck
D731,749 S 6/2015 Waldman
D733,401 S 7/2015 Coburn
D735,971 S 8/2015 Saylor et al.
D742,620 S 11/2015 Waldman et al.
D746,021 S 12/2015 Saylor et al.
D755,475 S 5/2016 Waldman
D755,476 S 5/2016 Waldman
D773,776 S 12/2016 Waldman
D774,730 S 12/2016 Waldman
D775,783 S 1/2017 Waldman
D785,905 S 5/2017 Savage et al.
D790,805 S 7/2017 Waldman
D794,906 S 8/2017 Waldman
D794,907 S 8/2017 Waldman
D795,531 S 8/2017 Waldman
D795,532 S 8/2017 Waldman et al.
D795,533 S 8/2017 Waldman et al.
D797,404 S 9/2017 Waldman
D797,405 S 9/2017 Waldman
D799,789 S 10/2017 Waldman
D799,790 S 10/2017 Waldman

D804,144 S 12/2017 Waldman et al.
D806,357 S 1/2018 Waldman
D806,359 S 1/2018 Waldman
D816,946 S 5/2018 Waldman
D817,601 S 5/2018 Waldman
D817,602 S 5/2018 Waldman
D834,786 S 12/2018 Waldman
D843,083 S 3/2019 Waldman
D844,289 S 4/2019 Waldman
D844,290 S 4/2019 Waldman
D844,291 S 4/2019 Waldman
D844,292 S 4/2019 Waldman
D844,293 S 4/2019 Waldman
D844,294 S 4/2019 Waldman
D844,295 S 4/2019 Waldman
D844,934 S 4/2019 Waldman
D844,935 S 4/2019 Waldman
D844,936 S 4/2019 Waldman
D844,937 S 4/2019 Waldman
D845,585 S 4/2019 Waldman
D846,235 S 4/2019 Waldman
D846,236 S 4/2019 Waldman
D846,835 S 4/2019 Waldman
RE47,397 E 5/2019 Waldman et al.
D847,458 S 5/2019 Waldman
D847,459 S 5/2019 Waldman
D847,460 S 5/2019 Waldman
D847,461 S 5/2019 Waldman
D847,462 S 5/2019 Waldman
D848,114 S 5/2019 Waldman
D849,365 S 5/2019 Waldman
D849,366 S 5/2019 Waldman
D859,786 S 9/2019 Waldman
D861,290 S 10/2019 Waldman
D861,291 S 10/2019 Waldman
D861,292 S 10/2019 Waldman
D862,037 S 10/2019 Waldman
D862,038 S 10/2019 Waldman
D862,039 S 10/2019 Waldman
D862,040 S 10/2019 Waldman
D862,041 S 10/2019 Waldman
D866,123 S 11/2019 Waldman
D866,124 S 11/2019 Waldman
D877,455 S 3/2020 Waldman
D881,517 S 4/2020 Waldman
D889,773 S 7/2020 Waldman
D893,833 S 8/2020 Franklin

OTHER PUBLICATIONS

Island Escape Montage Gardens Tiered Tankini Top, [online]; [first available on Mar. 8, 2019]; [retrieved from the Internet on Nov. 19, 2020]; URL: (3 pgs).
Swim Solutions Swimsuit, Tiered-Ruffle Tankini Top & Solid High-Waist Brief Bottom, [online]; [review published to the internet approximately Nov. 19, 2013]; [retrieved from the Internet on Nov. 19, 2020]; URL: (1 pg.).

* cited by examiner

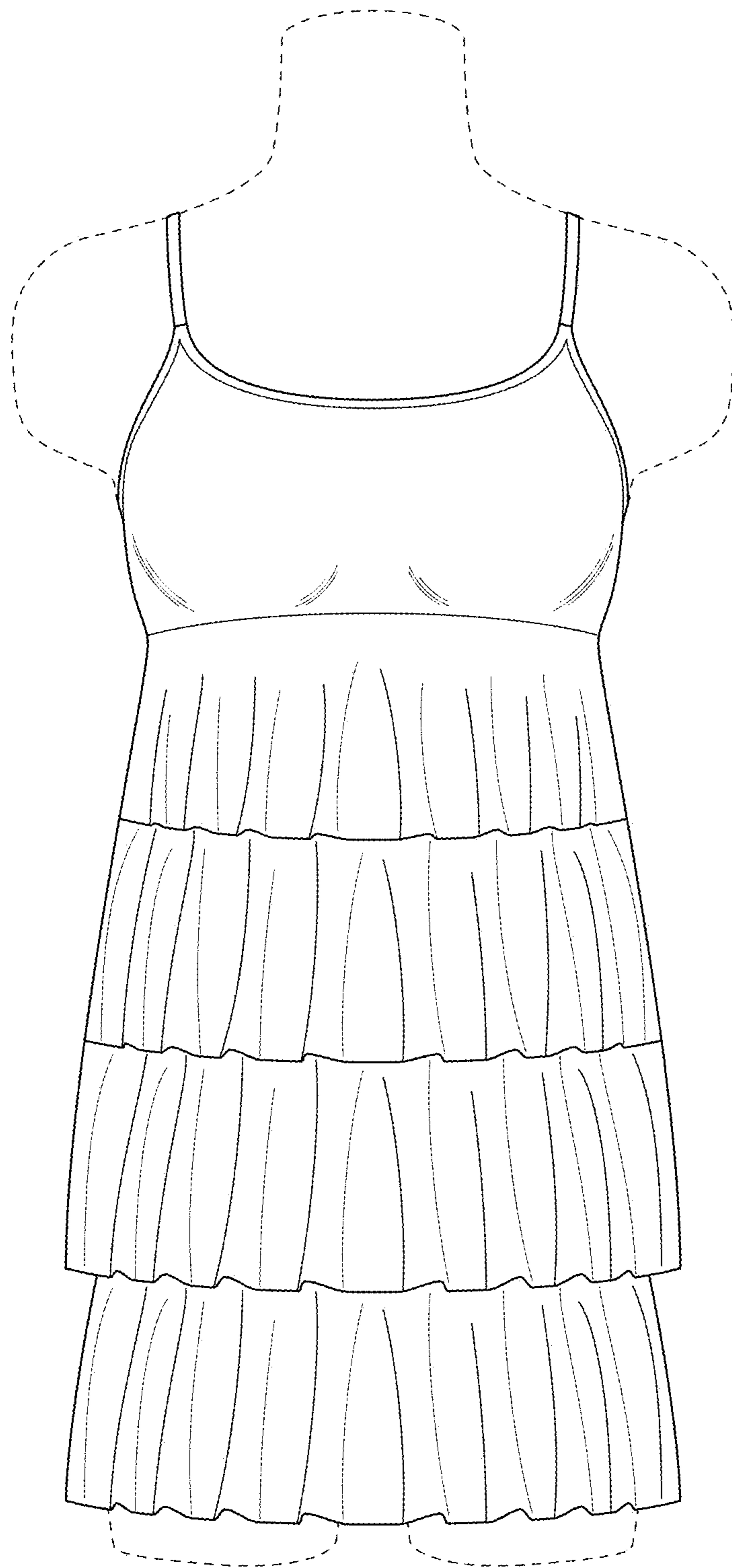


FIG. 1

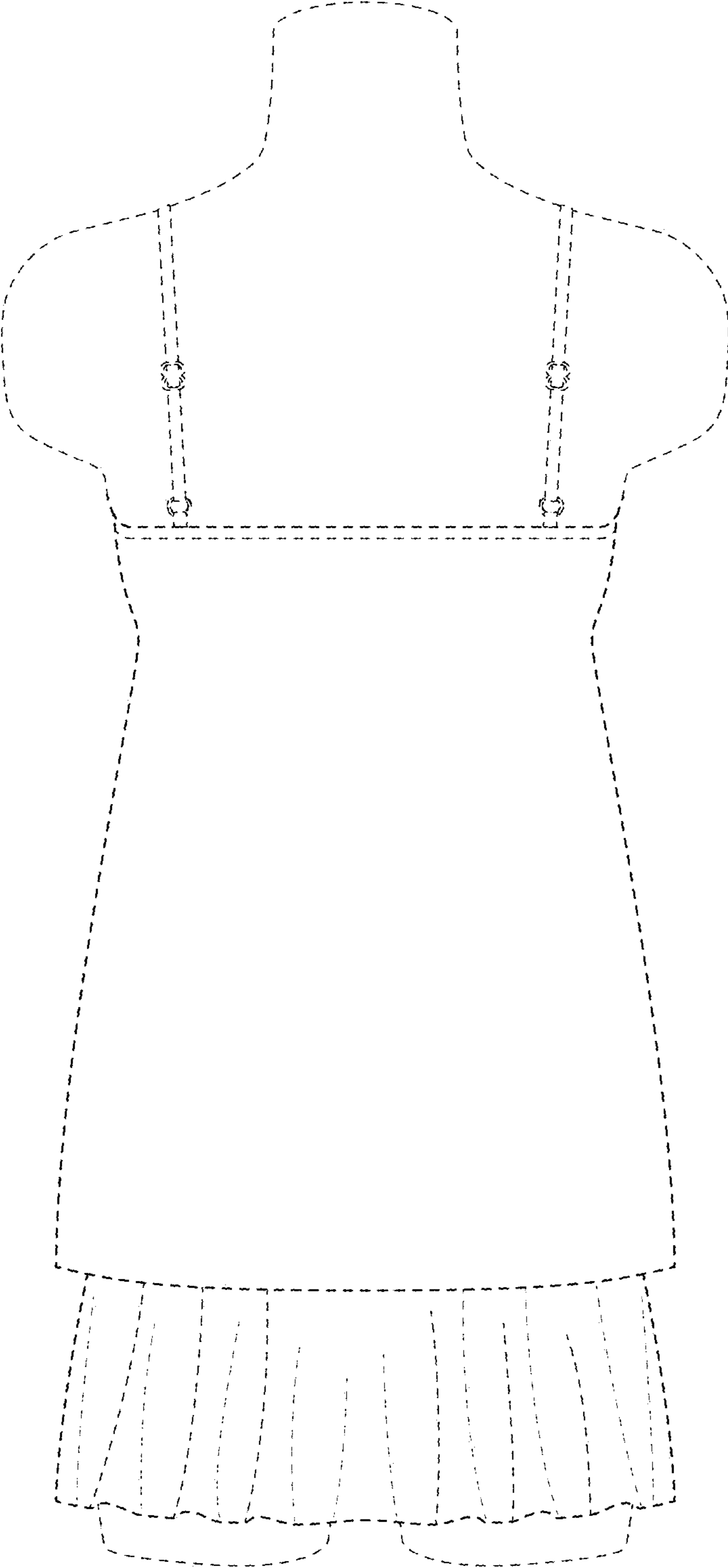


FIG. 2

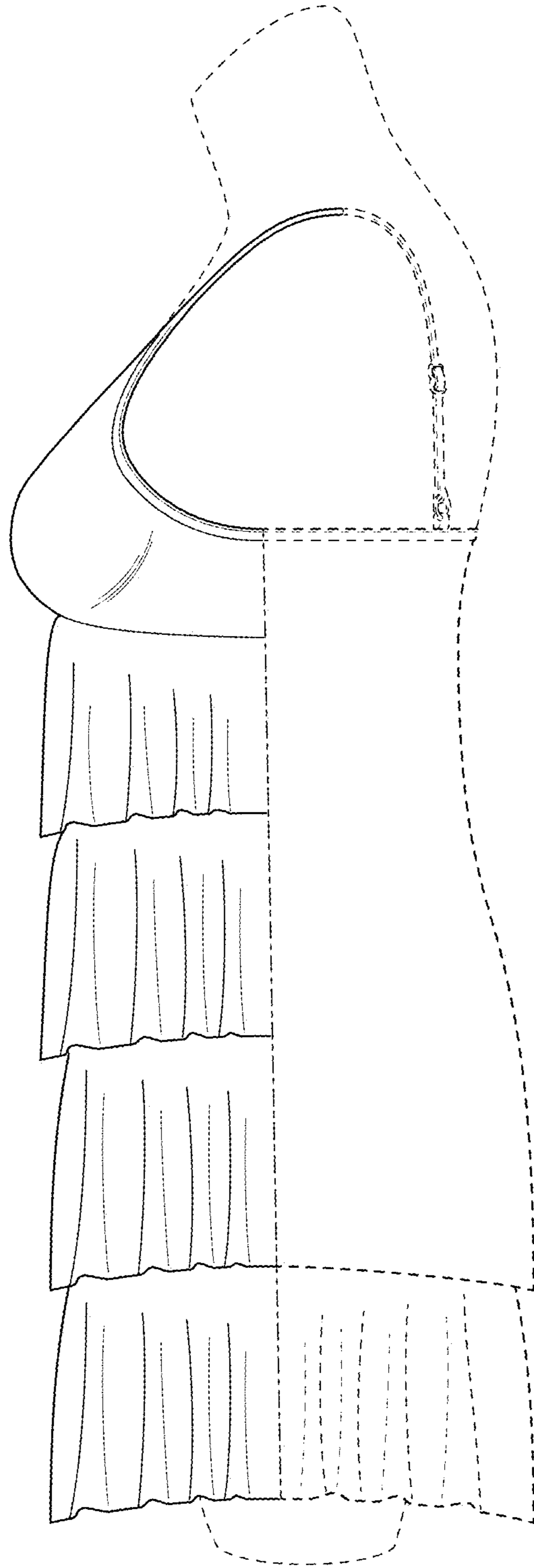


FIG. 3

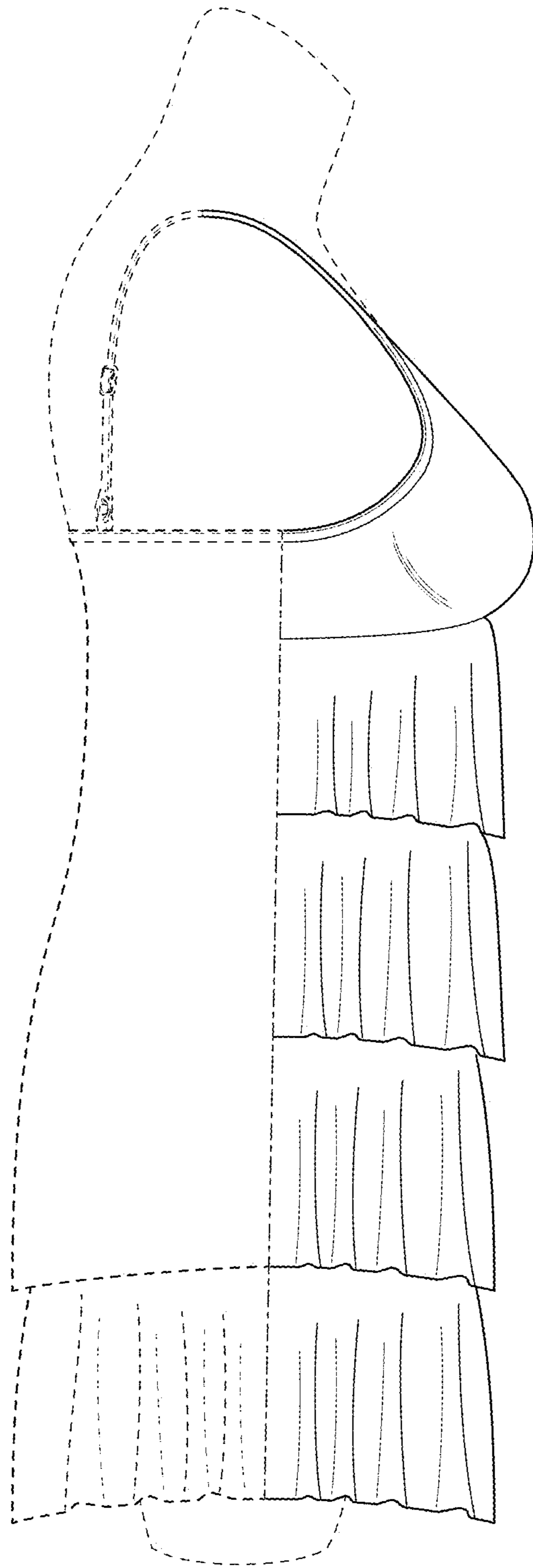


FIG. 4