



US00D930324S

(12) **United States Design Patent**
Dobrovolny et al.

(10) **Patent No.:** **US D930,324 S**
(45) **Date of Patent:** **** Sep. 14, 2021**

- (54) **PET TREAT**
- (71) Applicant: **Tao Brands Inc.**, Cincinnati, OH (US)
- (72) Inventors: **Mark Dobrovolny**, Scarborough, ME (US); **Thomas O'Brien**, Cincinnati, OH (US)
- (73) Assignee: **TAO BRANDS INC.**, Cincinnati, OH (US)

D542,506 S *	5/2007	Springer	A01K 15/026
				D1/106
D572,426 S *	7/2008	McCollum	D1/106
D690,897 S *	10/2013	Toolan	D1/199
D708,817 S *	7/2014	Axelrod	D1/106
D708,818 S *	7/2014	Axelrod	D1/106
D712,602 S *	9/2014	Chen	D30/160
D779,136 S *	2/2017	Eisenbarth	D30/160
D858,787 S *	9/2019	Ten Eyck	D24/214
D858,907 S *	9/2019	Gick	D30/160
D918,668 S *	5/2021	Morrow, Sr.	D7/628
2007/0224131 A1 *	9/2007	McCollum	A23K 20/158
				424/49

(**) Term: **15 Years**

* cited by examiner

(21) Appl. No.: **29/741,914**

Primary Examiner — Katie Jane Stofko

(22) Filed: **Jul. 16, 2020**

(51) **LOC (13) Cl.** **01-01**

(57) **CLAIM**

(52) **U.S. Cl.**
USPC **D1/199**

The ornamental design for a pet treat, as shown and described.

(58) **Field of Classification Search**
USPC D1/100–130, 199; 426/5, 76, 87, 92, 94, 426/95, 101, 103, 104, 108, 134, 426/138–139, 143, 144, 279, 282, 283, 426/391, 514, 549, 559, 560, 660, 808; D30/60; D11/1, 86; D21/386, 658
CPC B26D 3/11; A47J 37/043; A47J 37/049; A47J 43/18; A22C 17/006; A22C 13/0013; A23L 1/164; A23L 1/005; A23B 4/10; B65D 81/343
See application file for complete search history.

DESCRIPTION

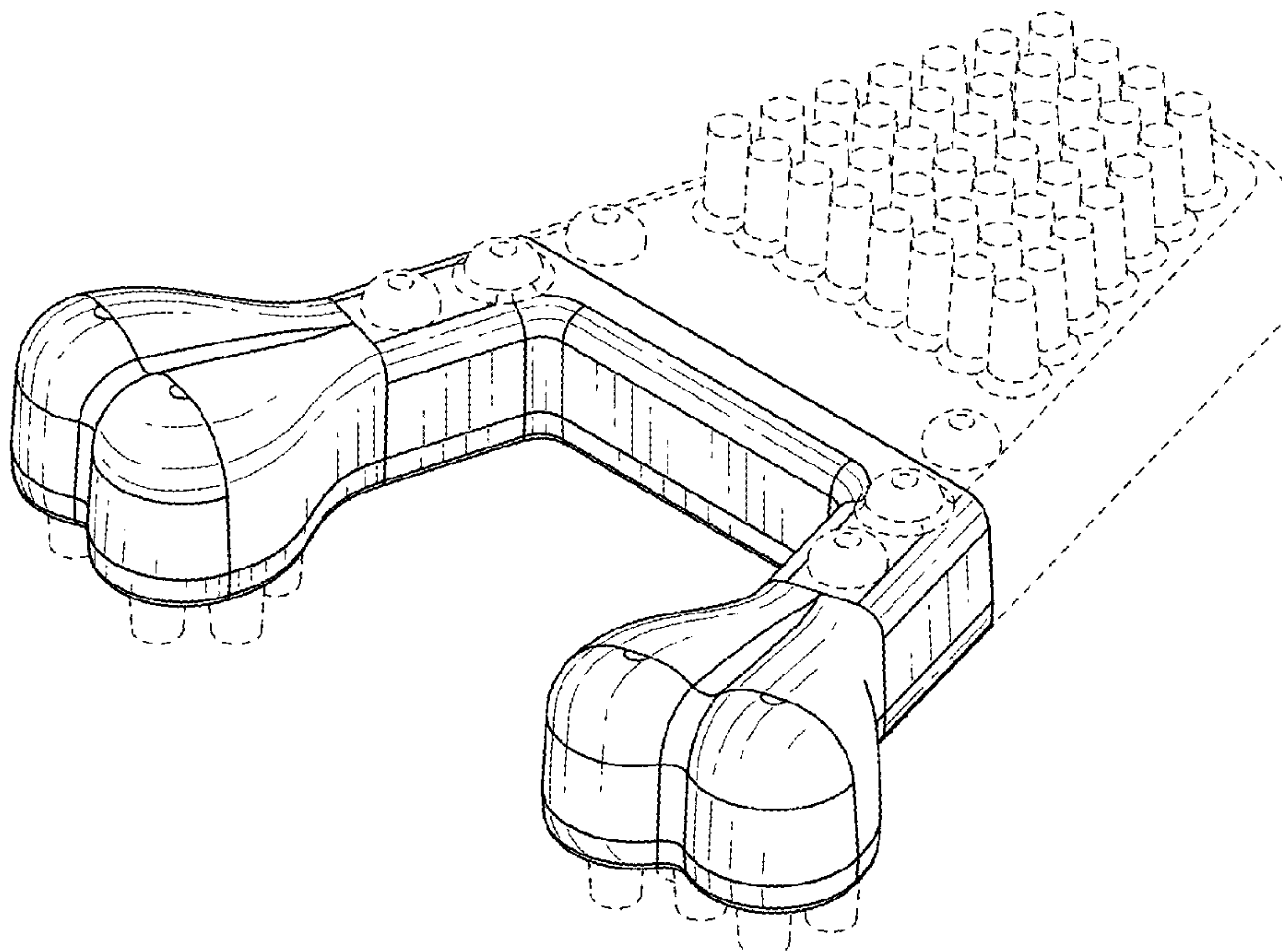
FIG. 1 is a top, front, right perspective view of a pet treat;
 FIG. 2 is a front elevational view thereof;
 FIG. 3 is a rear elevational view thereof;
 FIG. 4 is a top plan view thereof;
 FIG. 5 is a bottom plan view thereof;
 FIG. 6 is a right elevational view thereof;
 FIG. 7 is a left elevational view thereof;
 FIG. 8 is a bottom, rear, left perspective view thereof;
 FIG. 9 is an enlarged view as represented in FIG. 2 thereof;
 FIG. 10 is an enlarged view as represented in FIG. 6 thereof;
 and,
 FIG. 11 is an enlarged view as represented in FIG. 4 thereof.
 The broken lines shown in FIGS. 1-11 illustrate portions of the pet treat that form no part of the claimed design.

(56) **References Cited**

U.S. PATENT DOCUMENTS

- 2,408,735 A * 10/1946 Claffin A61J 17/02
606/235
- D523,592 S * 6/2006 Wang D30/160

1 Claim, 11 Drawing Sheets



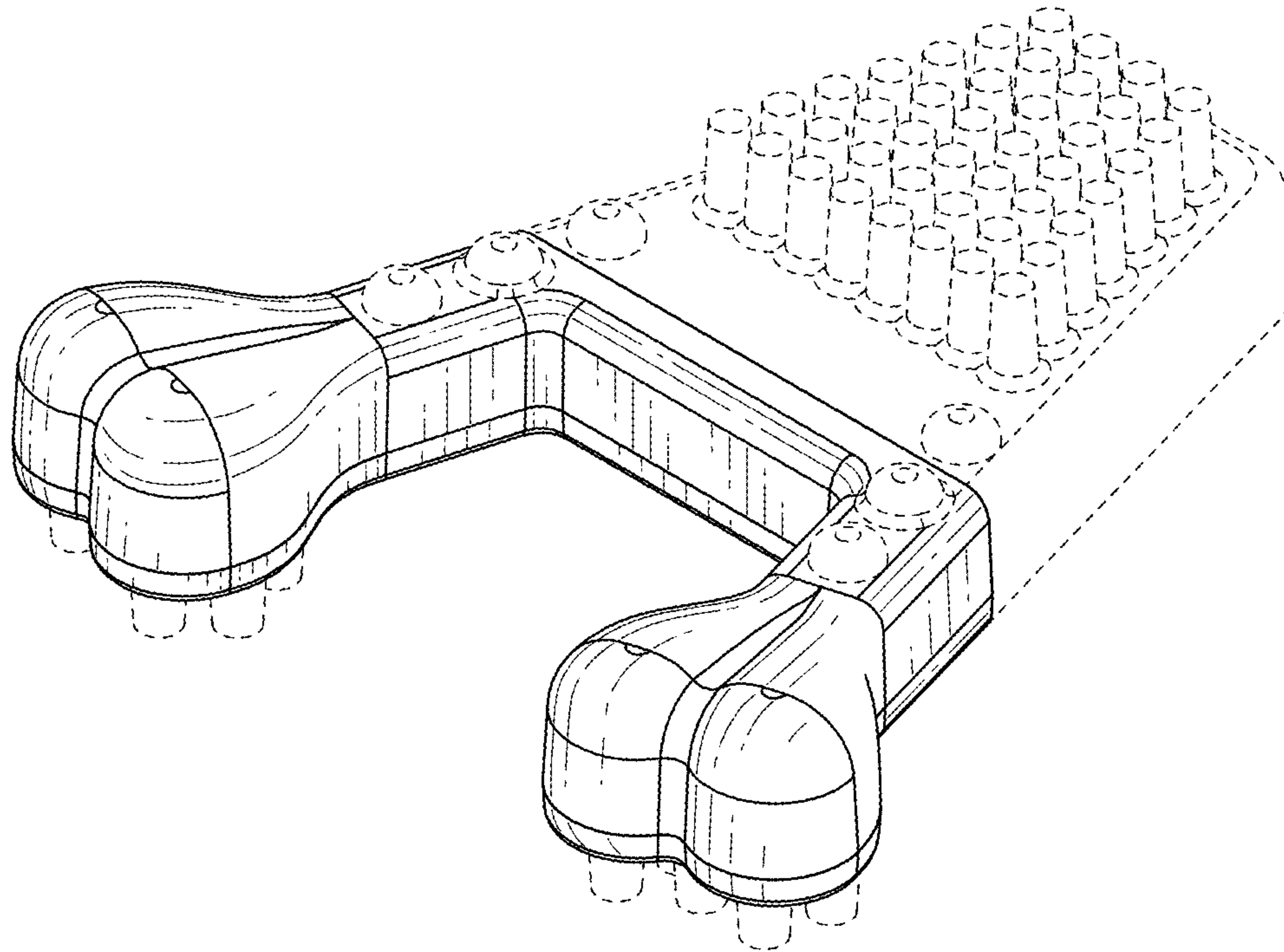


FIG. 1

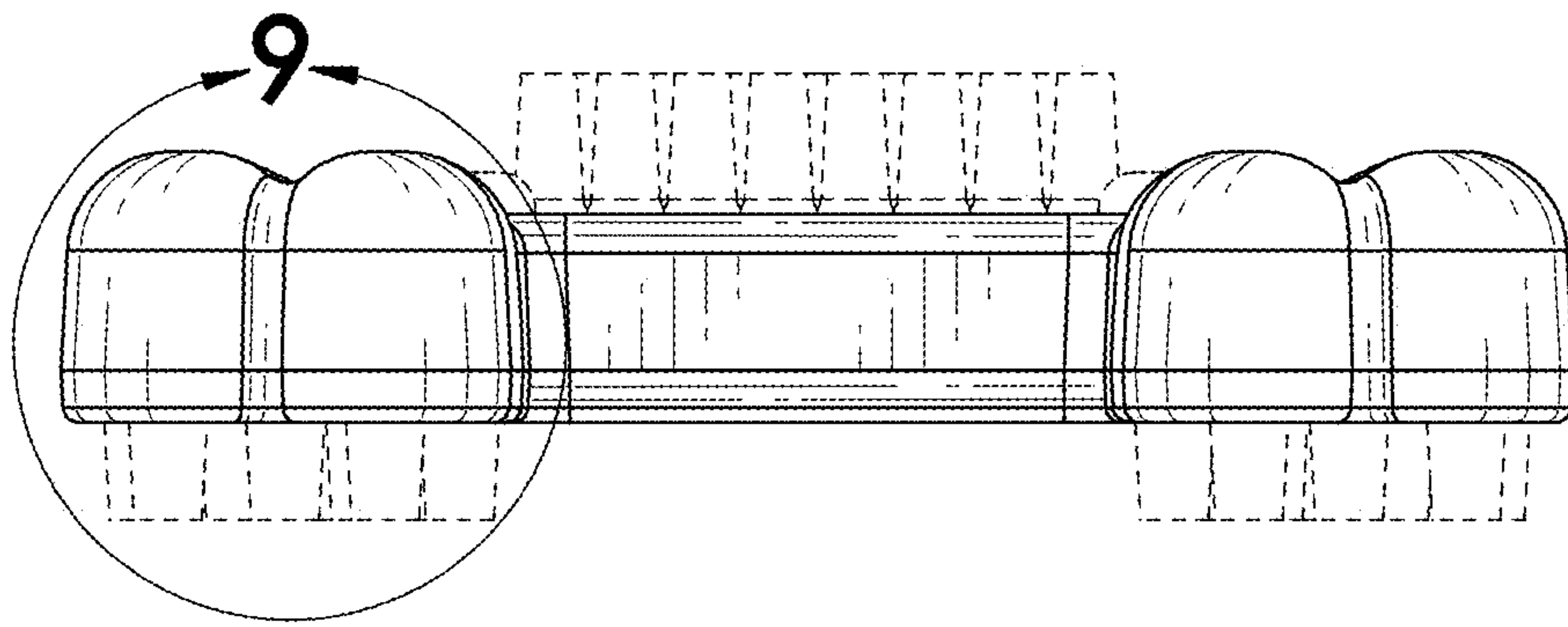


FIG. 2

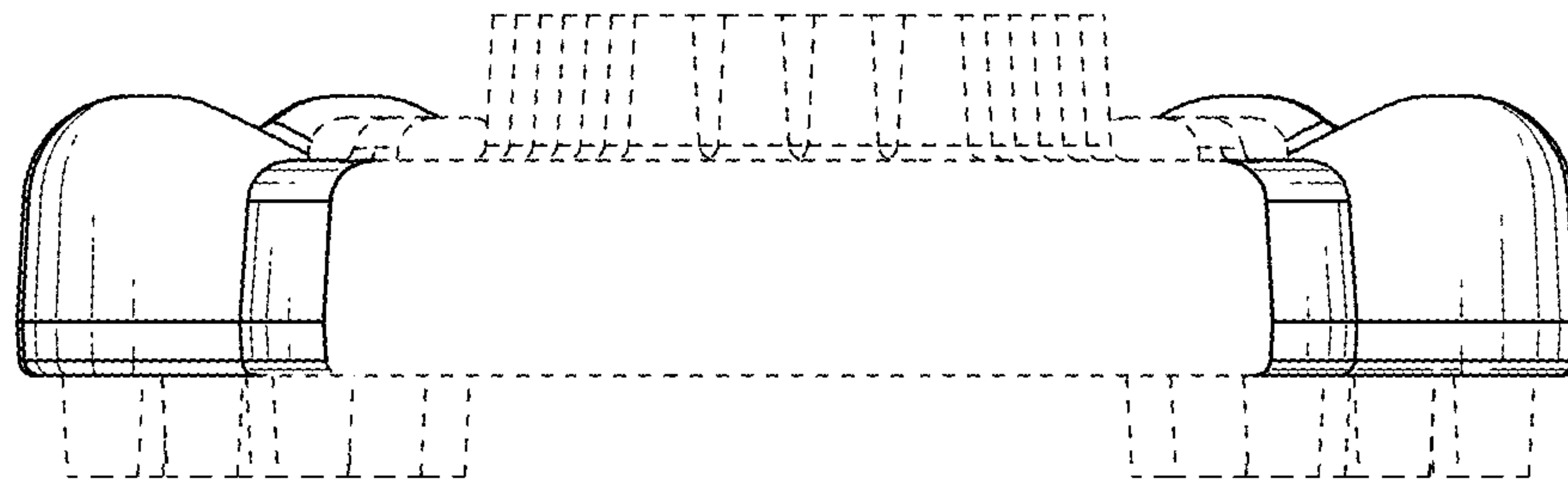


FIG. 3

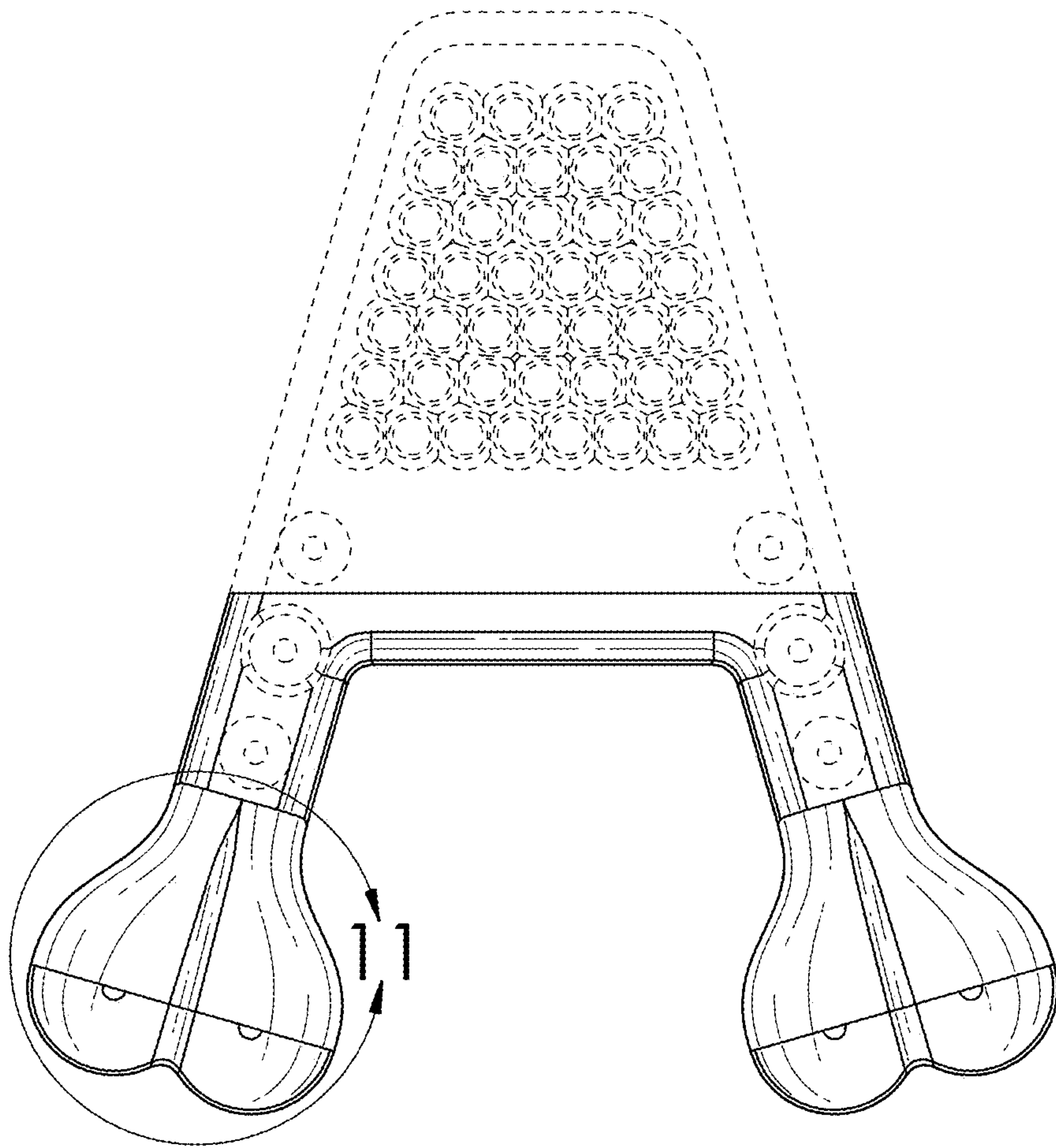


FIG. 4

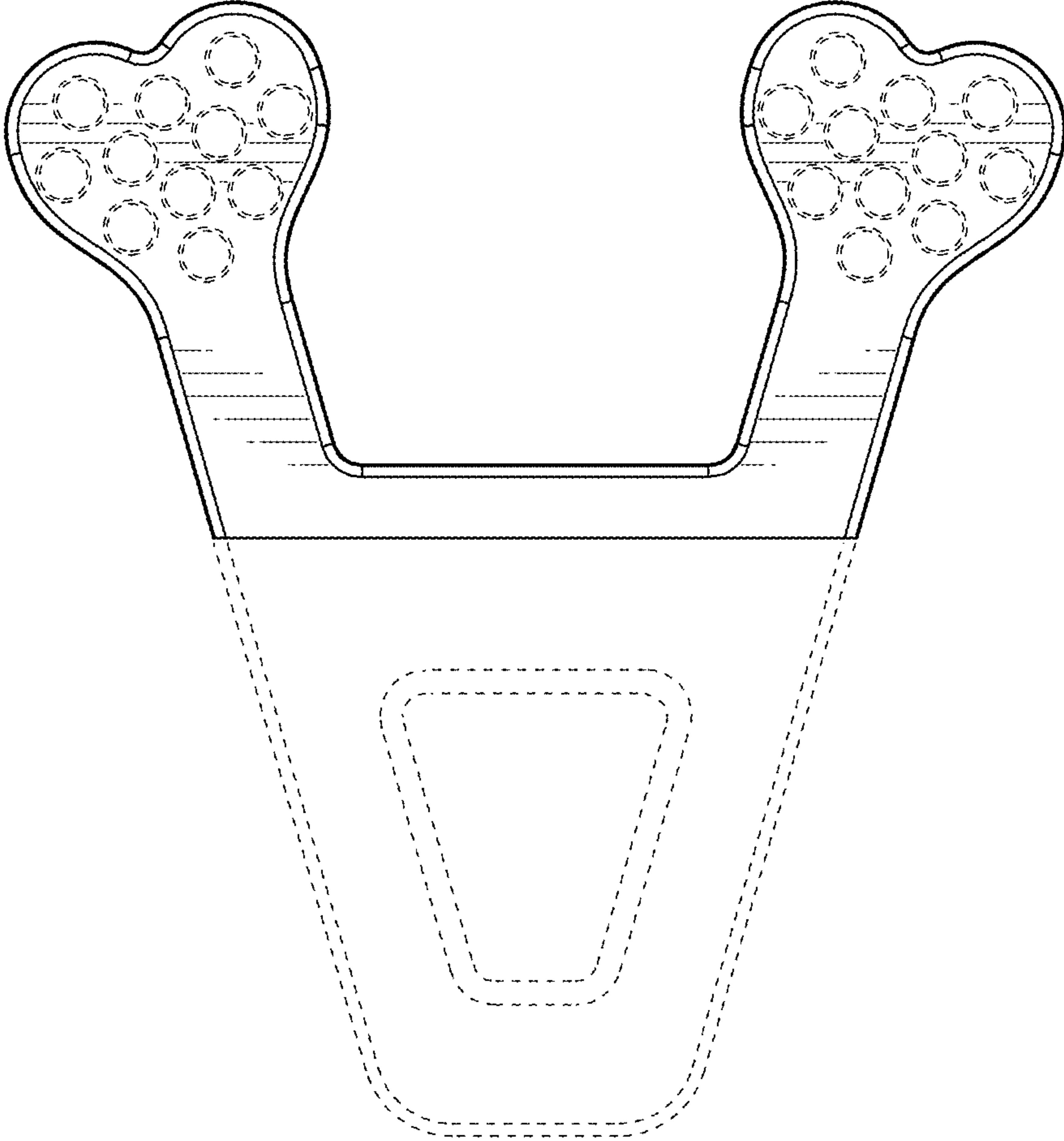


FIG. 5

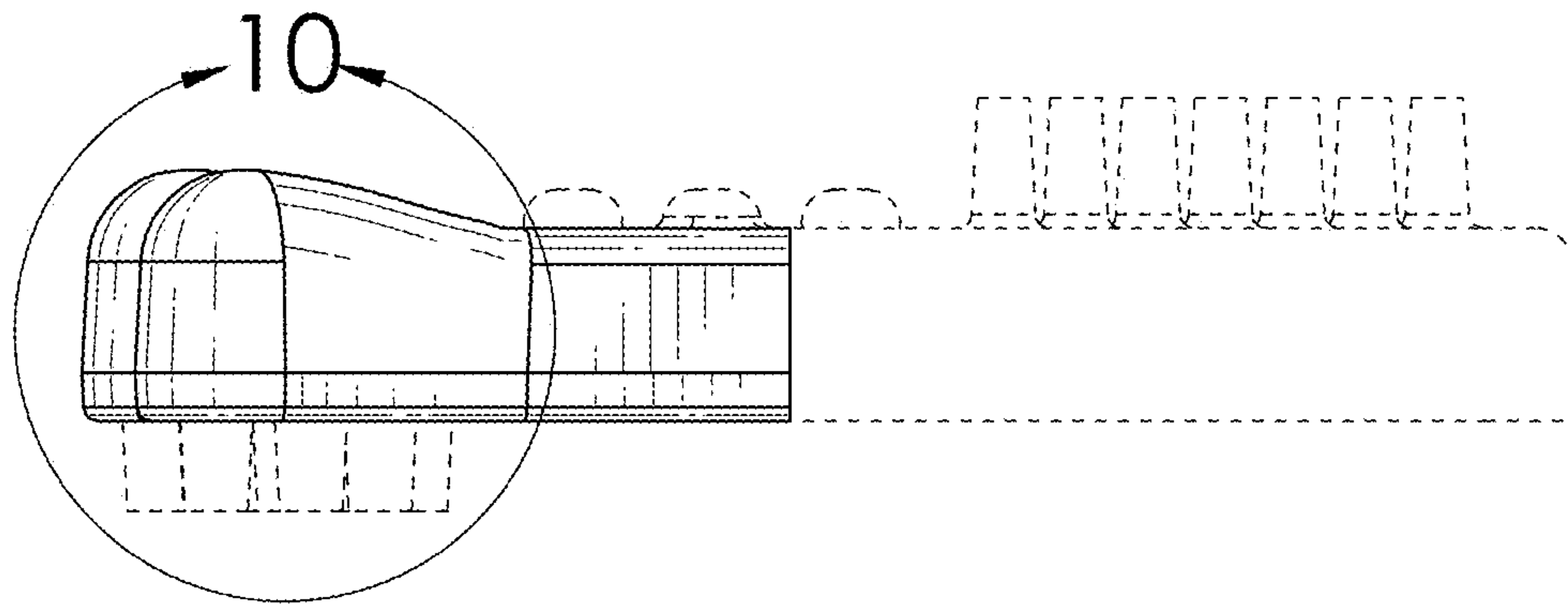


FIG. 6

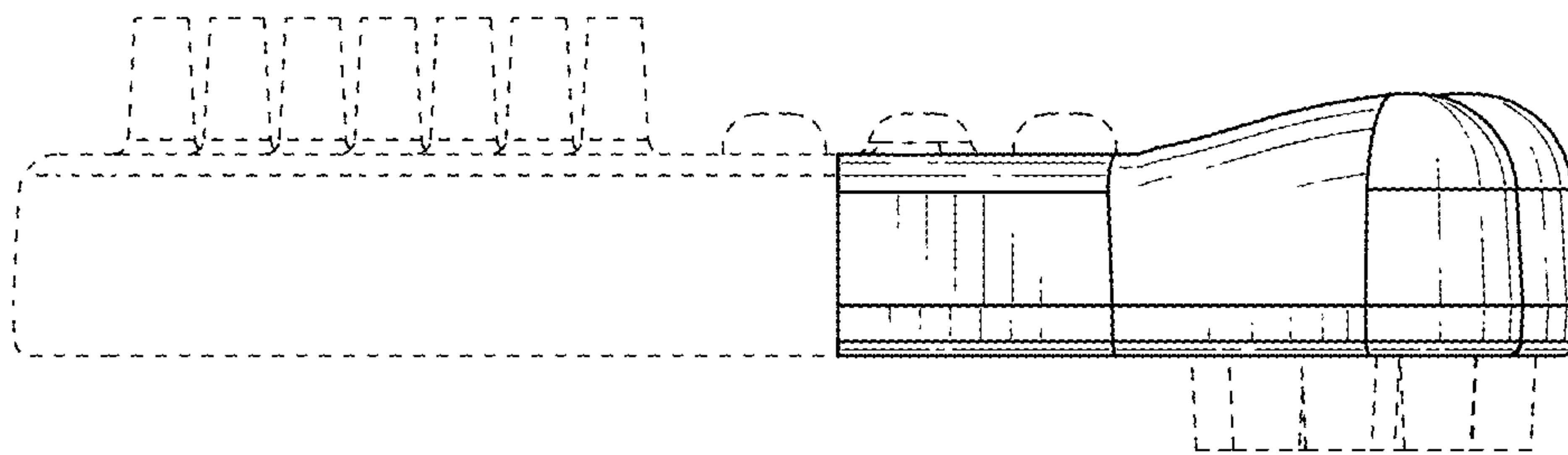


FIG. 7

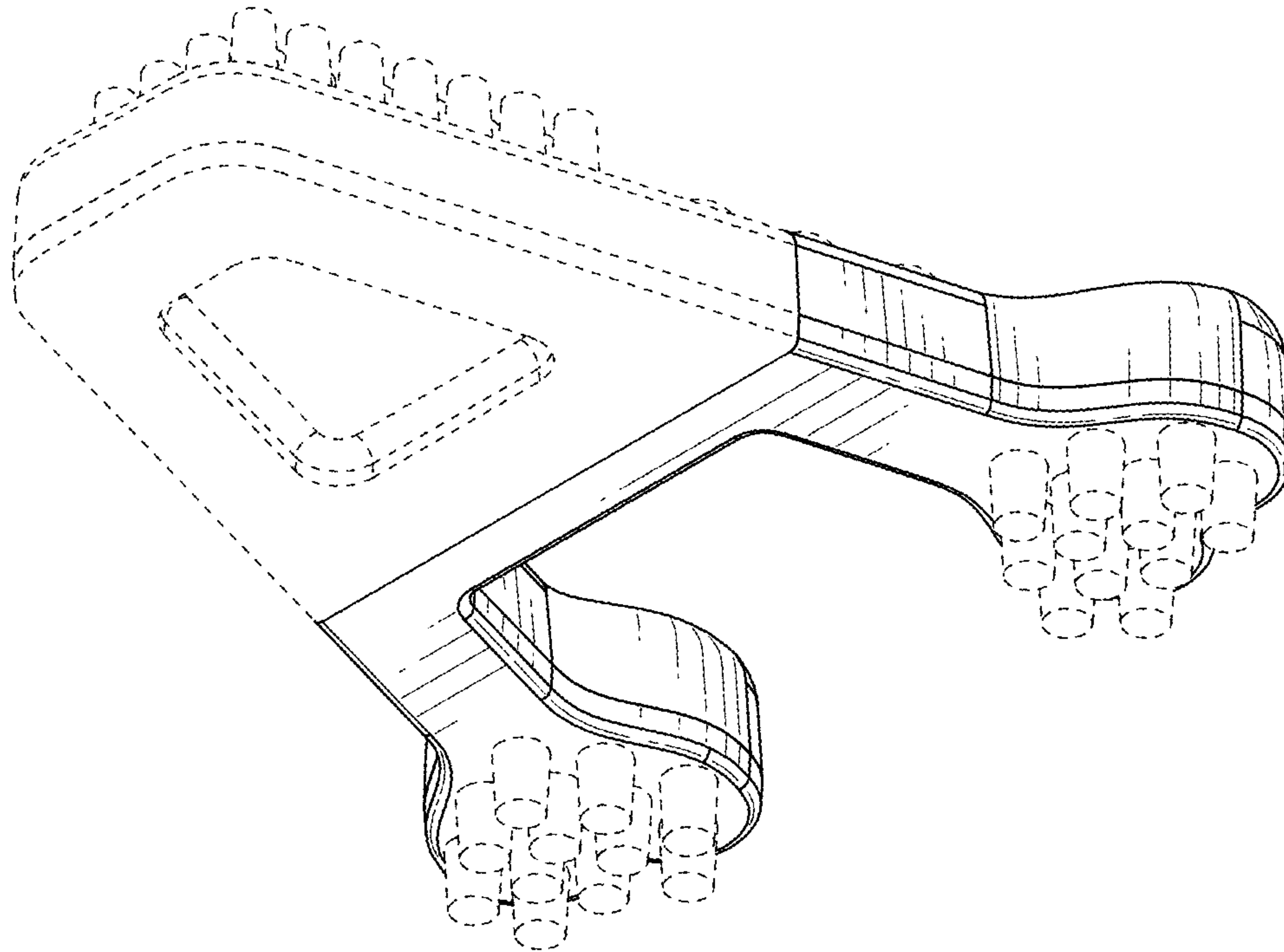


FIG. 8

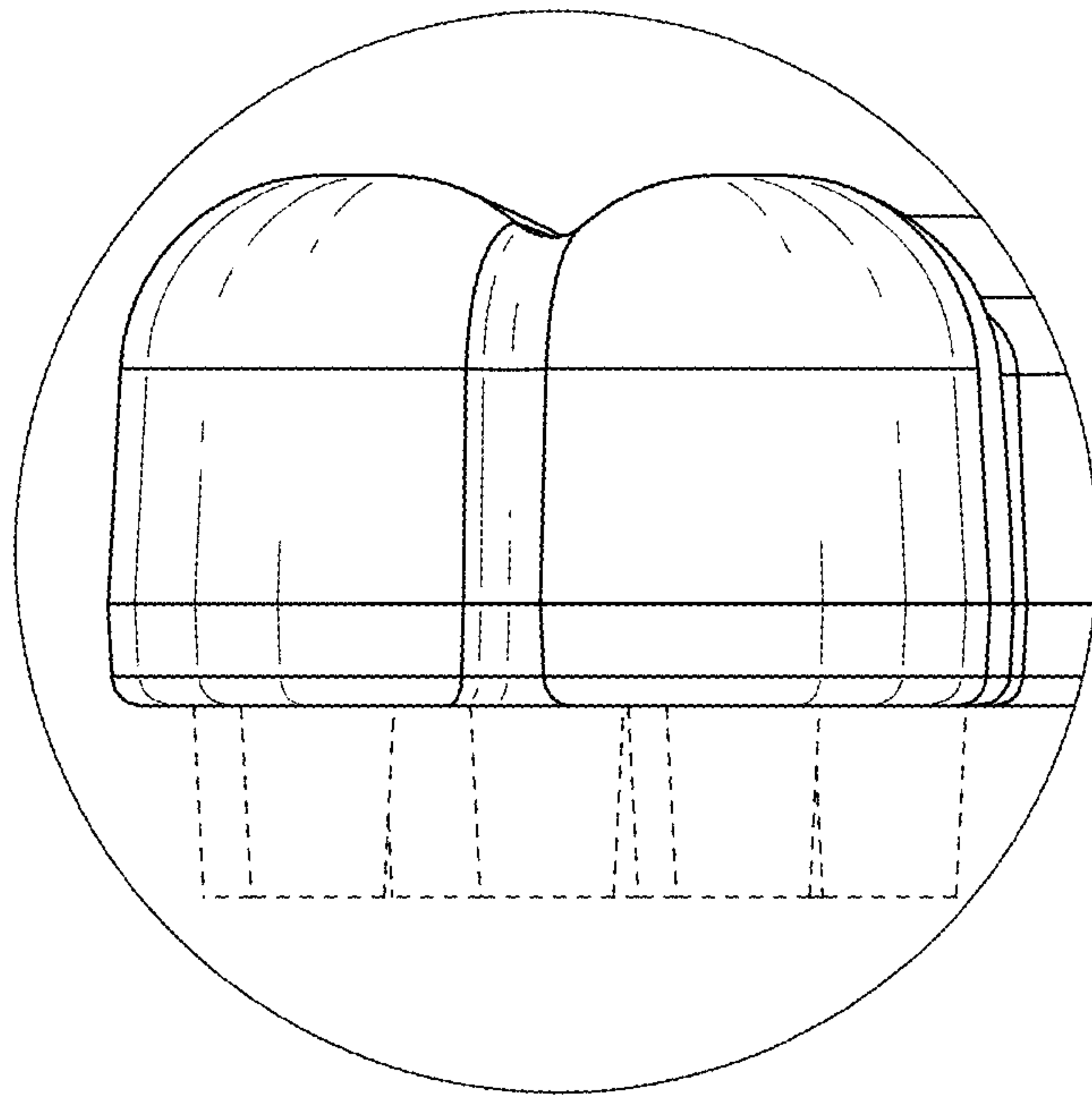


FIG. 9

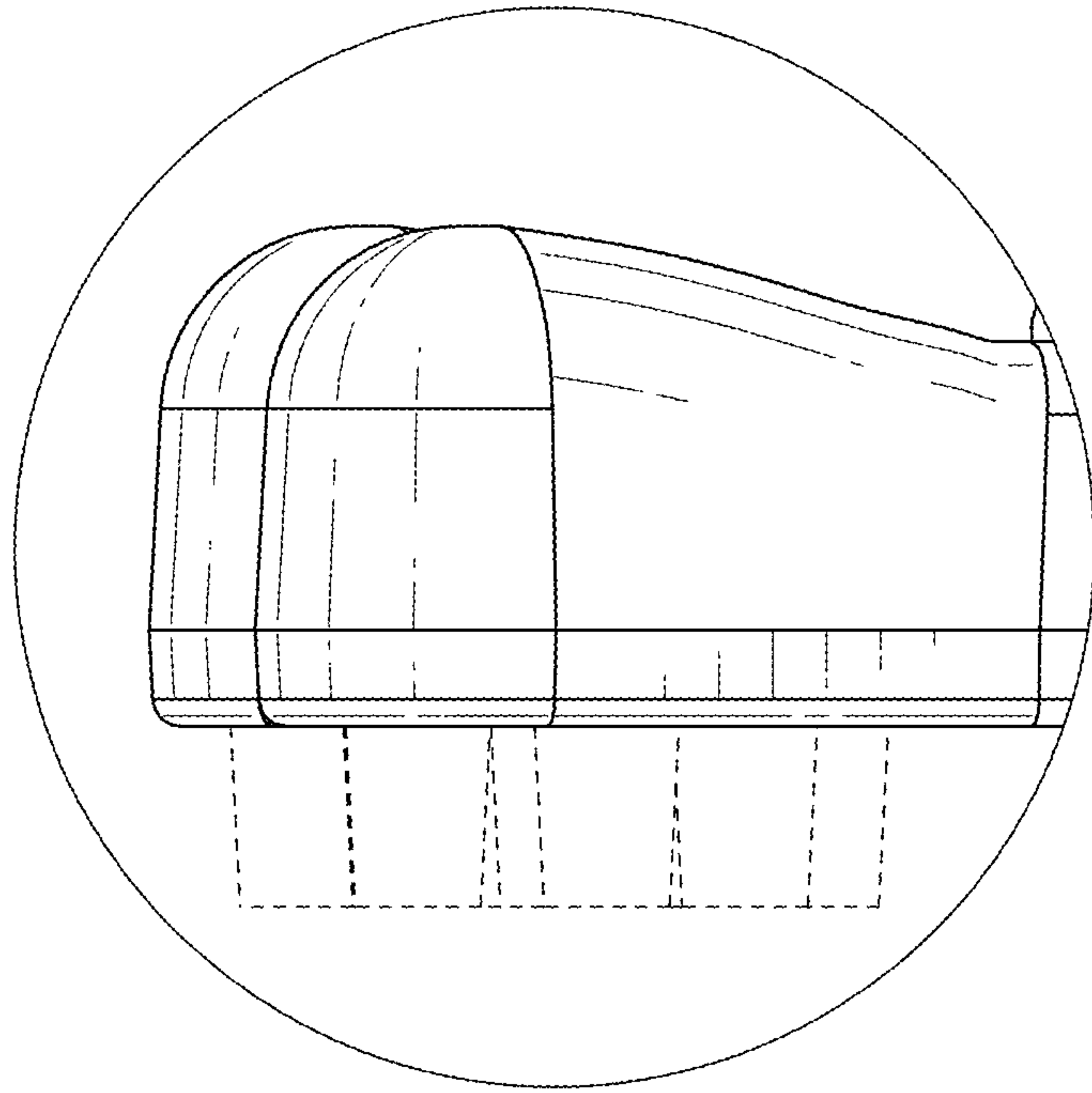


FIG. 10

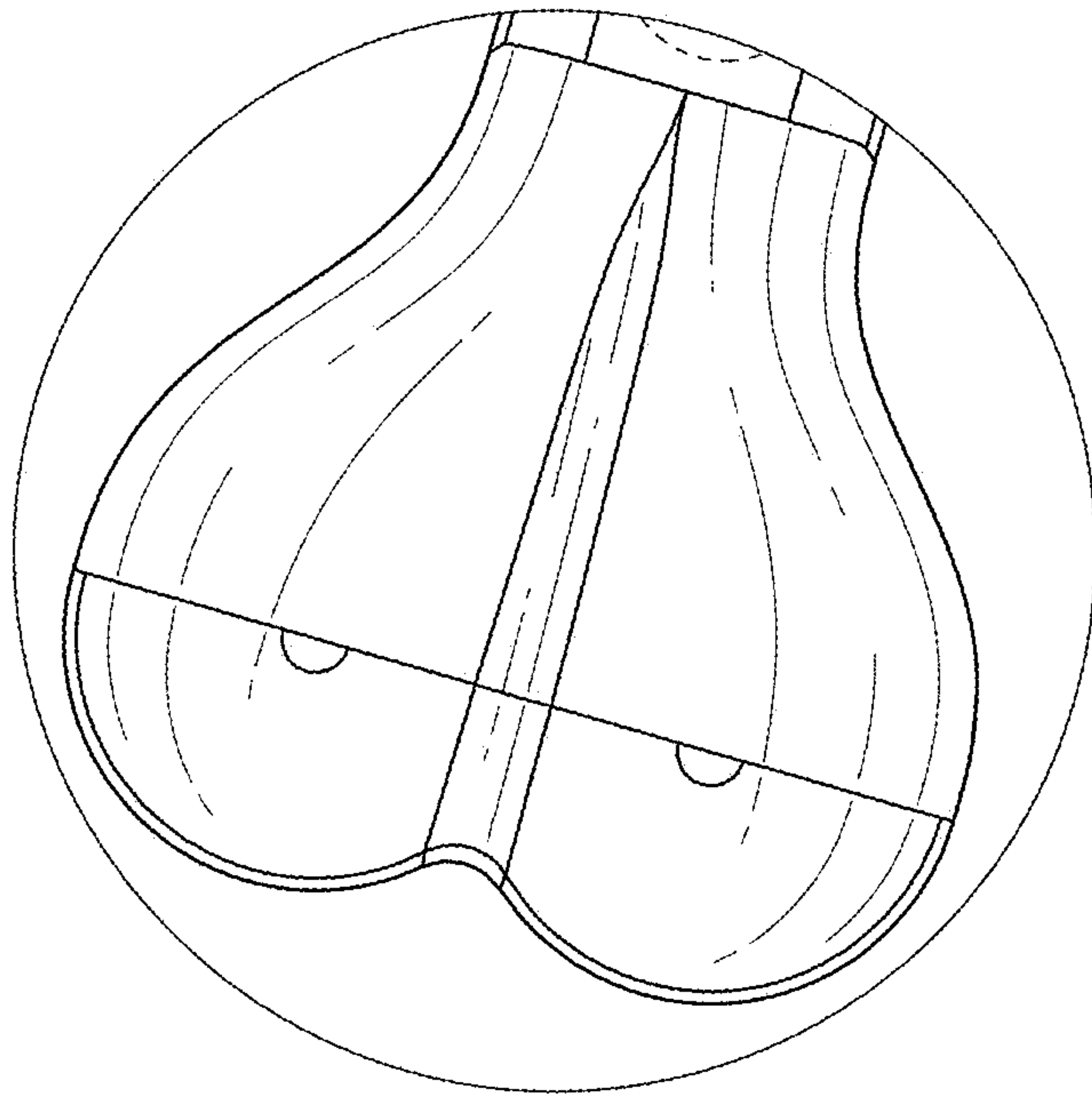


FIG. 11