



US00D930318S

(12) **United States Design Patent** (10) **Patent No.:** **US D930,318 S**  
**Cohen** (45) **Date of Patent:** **\*\* Sep. 7, 2021**

(54) **NESTABLE PALLET**  
(71) Applicant: **CleanPal Holdco, LP**, Atlanta, GA (US)  
(72) Inventor: **Amihay Cohen**, Migdal Ha'Emek (IL)  
(73) Assignee: **CLEANPAL ISRAEL LTD.**, Ramat Hasharon (IL)  
(\*\*) Term: **15 Years**  
(21) Appl. No.: **29/693,851**  
(22) Filed: **Jun. 5, 2019**  
(51) **LOC (13) Cl.** ..... **09-08**  
(52) **U.S. Cl.**  
USPC ..... **D34/38**  
(58) **Field of Classification Search**  
USPC ..... D3/272; D9/456; D34/38  
CPC ..... B65D 19/0004; B65D 19/40; B65D 19/0018; B65D 19/0038; B65D 19/0012; B65D 19/0095; B65D 19/38; B65D 19/06; B65D 19/02; B65D 19/12  
See application file for complete search history.

D822,308 S \* 7/2018 Hunt, III ..... D34/38  
D878,703 S \* 3/2020 Valdes Abramo ..... D34/34  
2003/0061974 A1\* 4/2003 Smyers ..... B65D 19/0012 108/56.1  
2004/0134391 A1\* 7/2004 Sugihara ..... B65D 19/0012 108/57.25  
2005/0145144 A1\* 7/2005 Gab ..... B65D 19/38 108/55.3  
2011/0126741 A1\* 6/2011 Sosa Bravo ..... B65D 19/0038 108/57.25  
2015/0068436 A1\* 3/2015 Zelek ..... B65D 21/0233 108/53.3  
2020/0231333 A1\* 7/2020 Holm ..... B65D 21/0233

\* cited by examiner

*Primary Examiner* — Cynthia Ramirez  
(74) *Attorney, Agent, or Firm* — Mark M. Friedman

(57) **CLAIM**

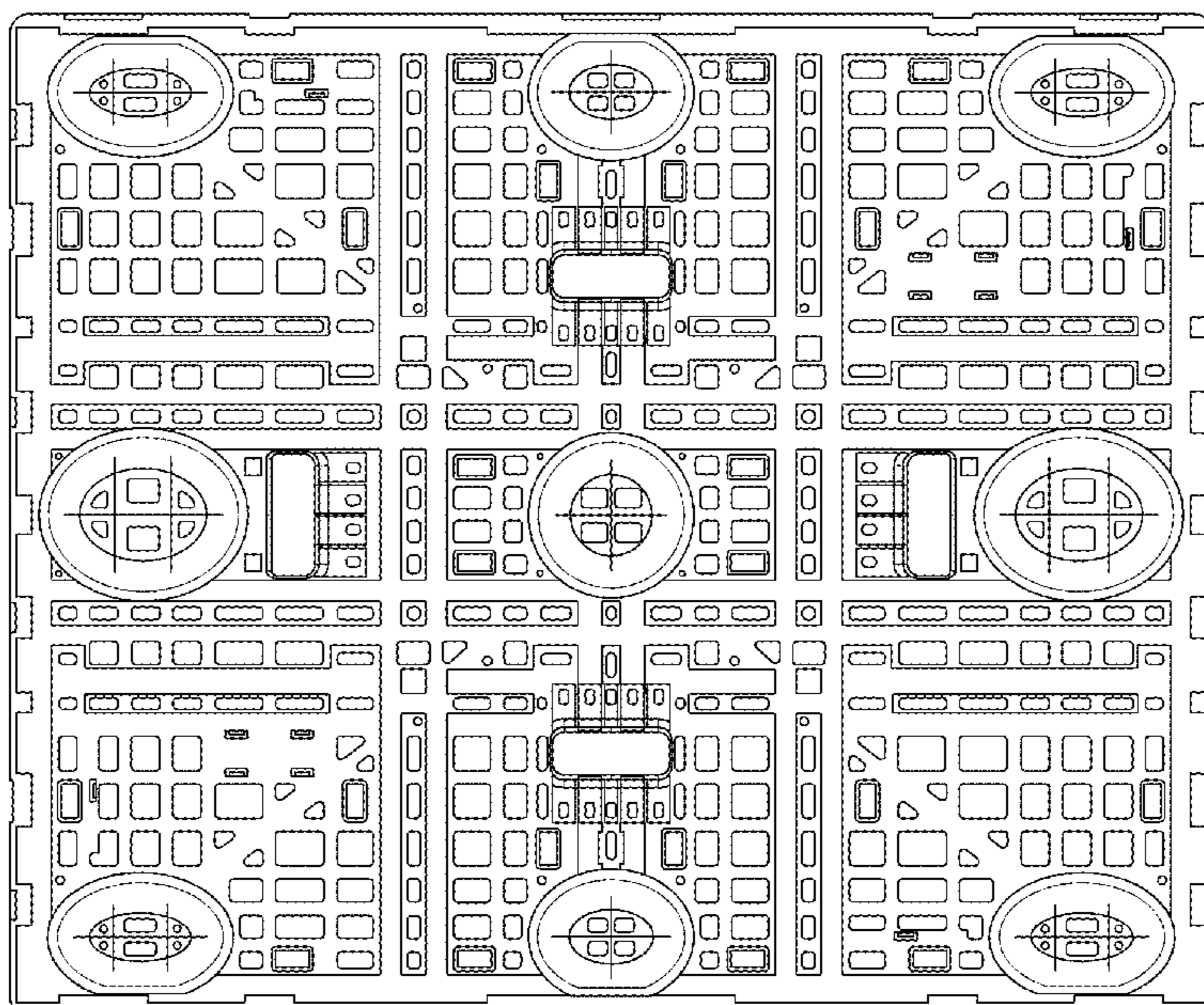
The ornamental design for a nestable pallet, as shown and described.

**DESCRIPTION**

FIG. 1 is a top view of a nestable pallet showing my new design;  
FIG. 2 is a left side view thereof, the right side being a mirror image;  
FIG. 3 is a front view thereof, the rear being a mirror image;  
FIG. 4 is a bottom view thereof;  
FIG. 5 is a top front left perspective view thereof;  
FIG. 6 is a top view of a second embodiment thereof;  
FIG. 7 is a left side view of a FIG. 6, the right side being a mirror image thereof;  
FIG. 8 is a front view of a FIG. 6, the rear being a mirror image thereof;  
FIG. 9 is a bottom view of a FIG. 6; and,  
FIG. 10 is a top front left perspective view of a FIG. 6.

**1 Claim, 10 Drawing Sheets**

(56) **References Cited**  
U.S. PATENT DOCUMENTS  
D443,969 S \* 6/2001 Apps ..... D34/38  
6,283,044 B1 \* 9/2001 Apps ..... B29C 66/54 108/57.25  
D458,000 S \* 5/2002 Medoff ..... D34/38  
D464,186 S \* 10/2002 Medoff ..... D34/38  
D472,360 S \* 3/2003 Medoff ..... D34/38  
D661,453 S \* 6/2012 Kelly ..... D34/38  
D685,564 S \* 7/2013 Haglund ..... D34/38  
D704,915 S \* 5/2014 Reyhan ..... D34/38  
D708,811 S \* 7/2014 Kelly ..... D34/38  
D798,024 S \* 9/2017 Poran ..... D34/38  
D816,287 S \* 4/2018 Hunt, III ..... D34/38



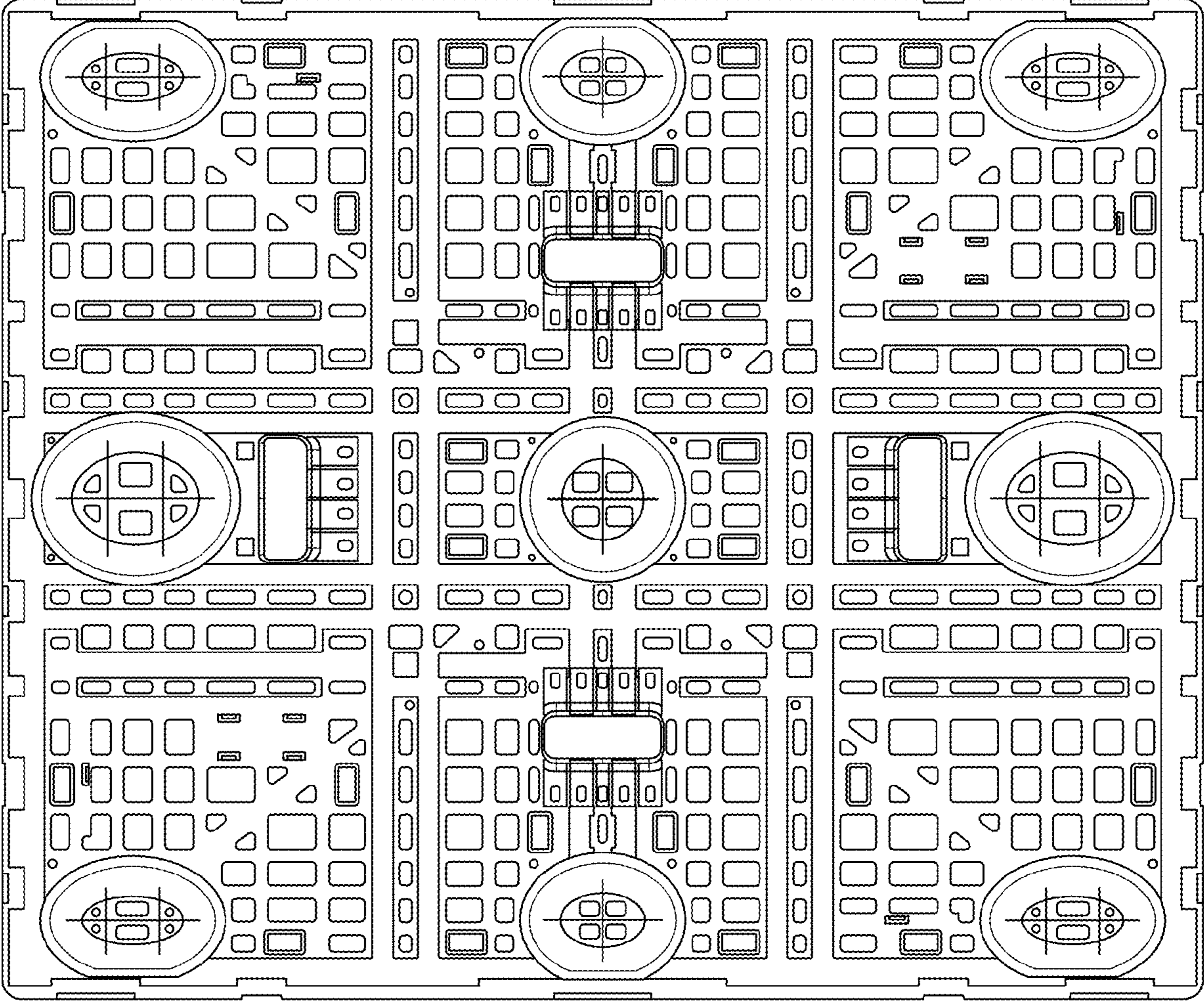


FIG. 1

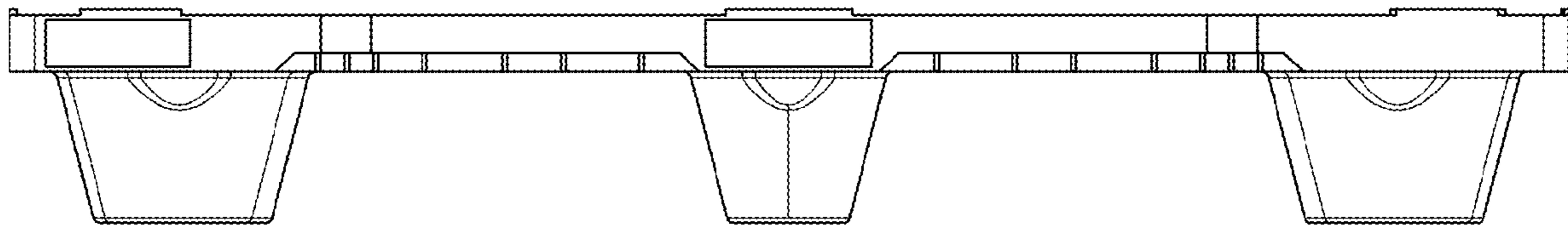


FIG. 2

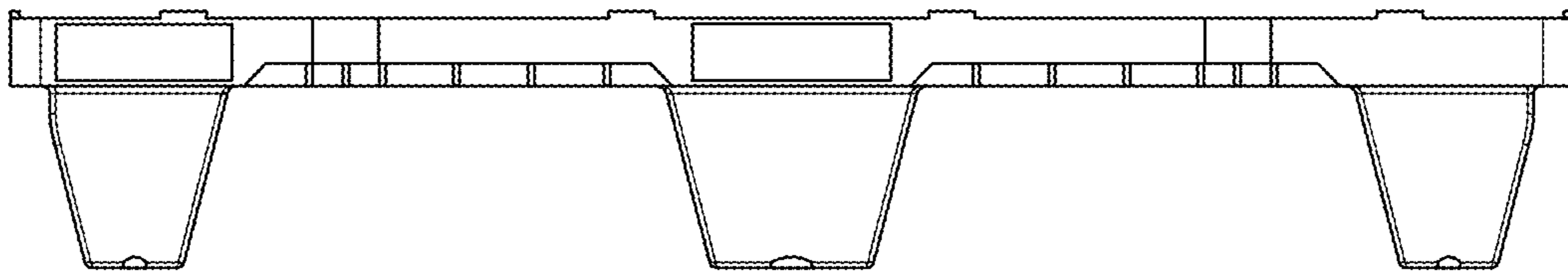


FIG. 3

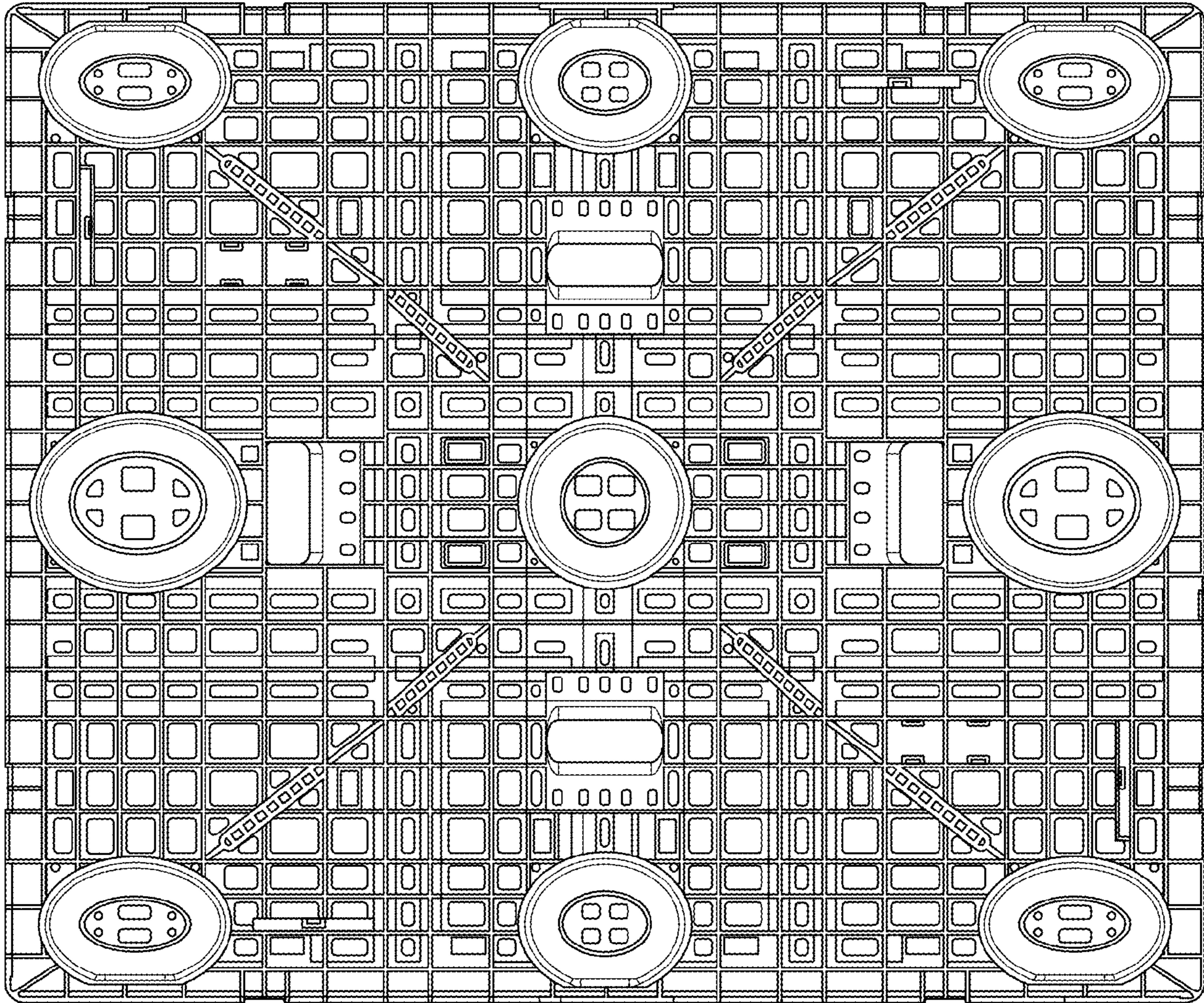


FIG. 4

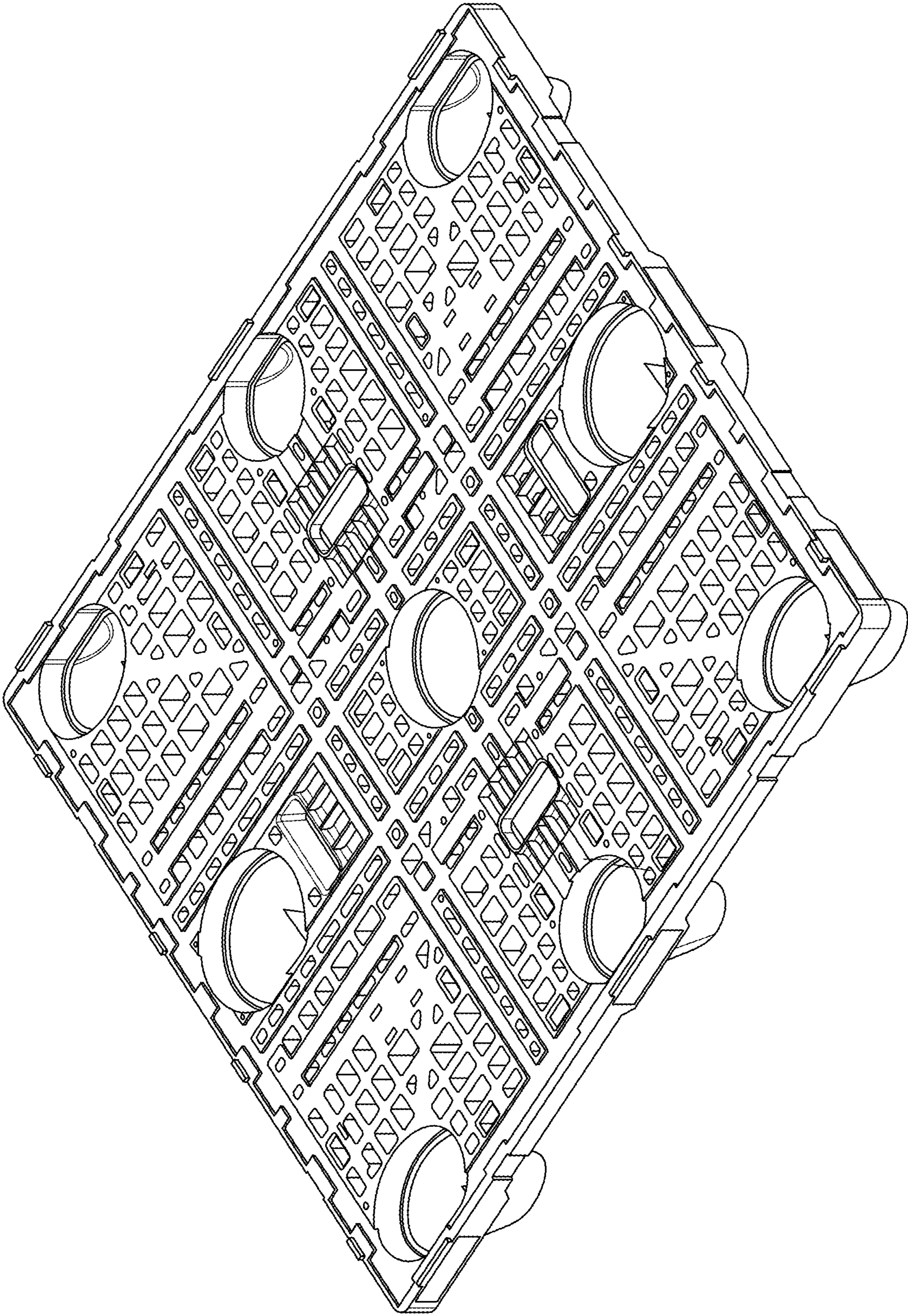


FIG. 5

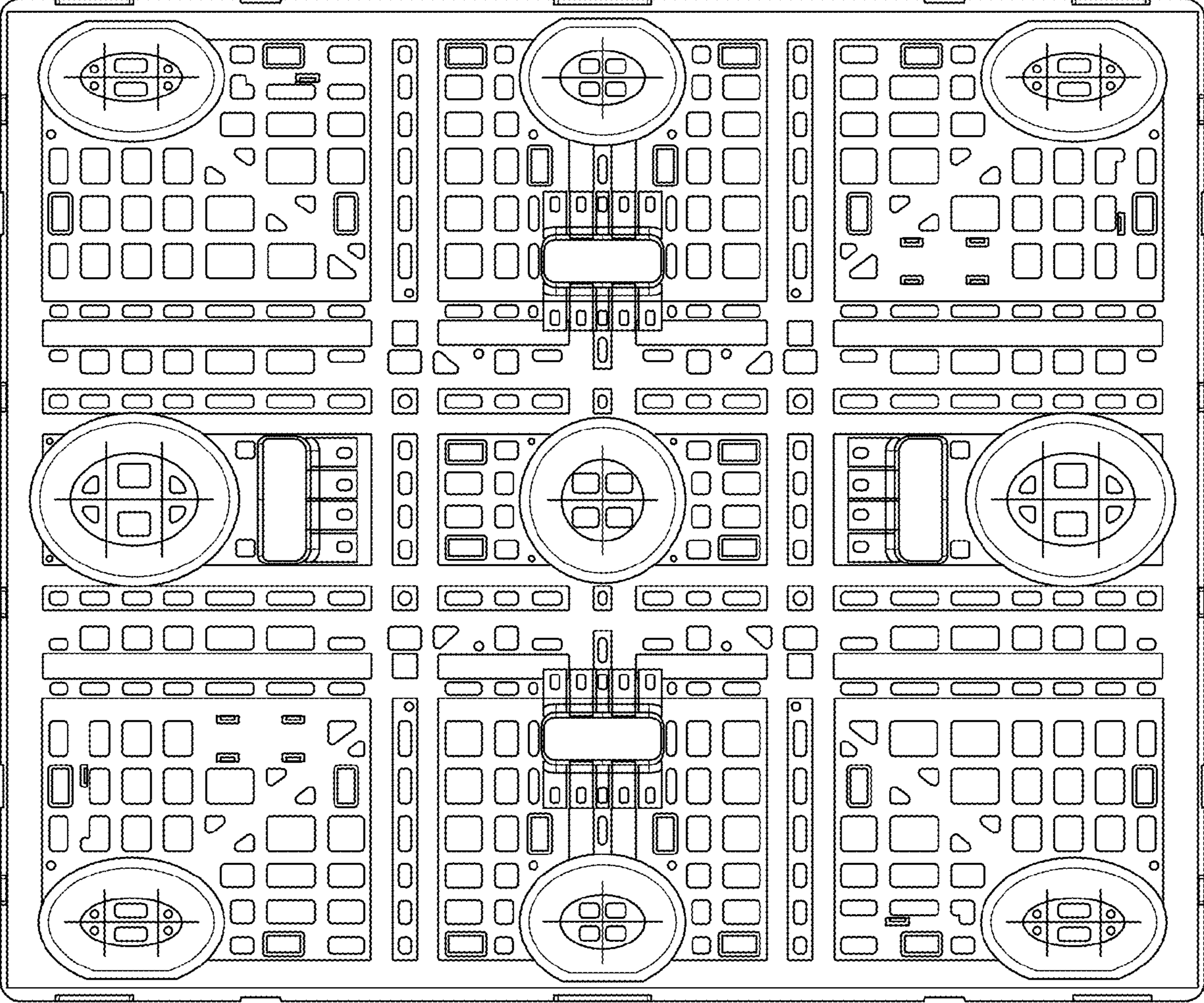


FIG. 6

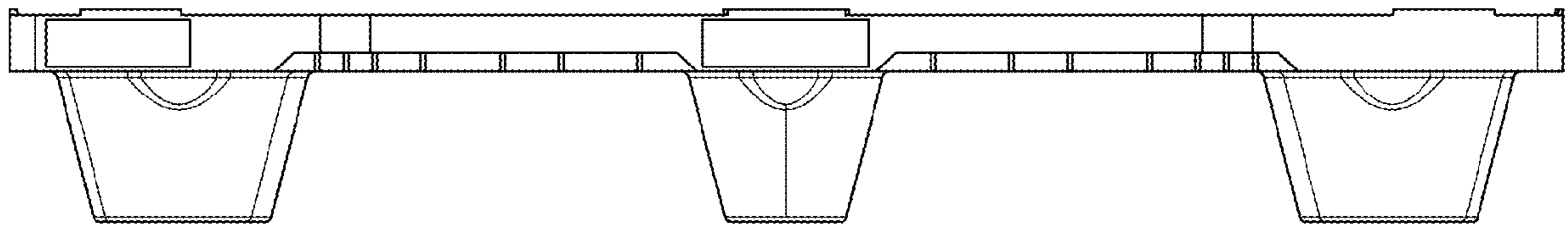


FIG. 7



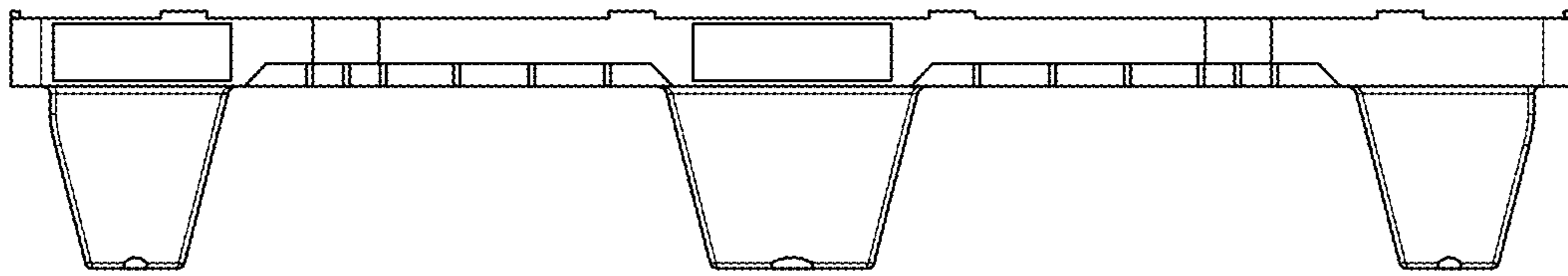


FIG. 8

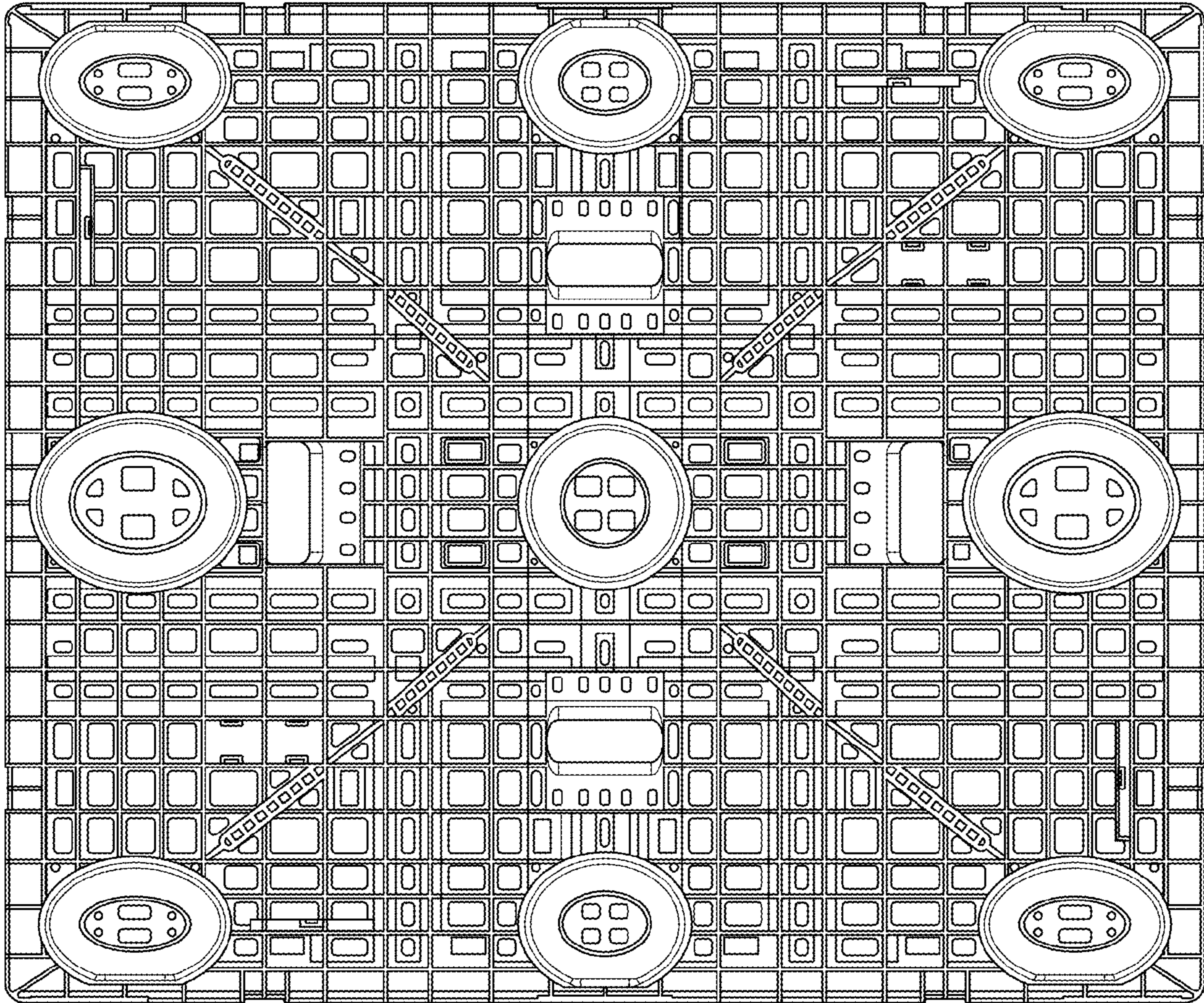


FIG. 9

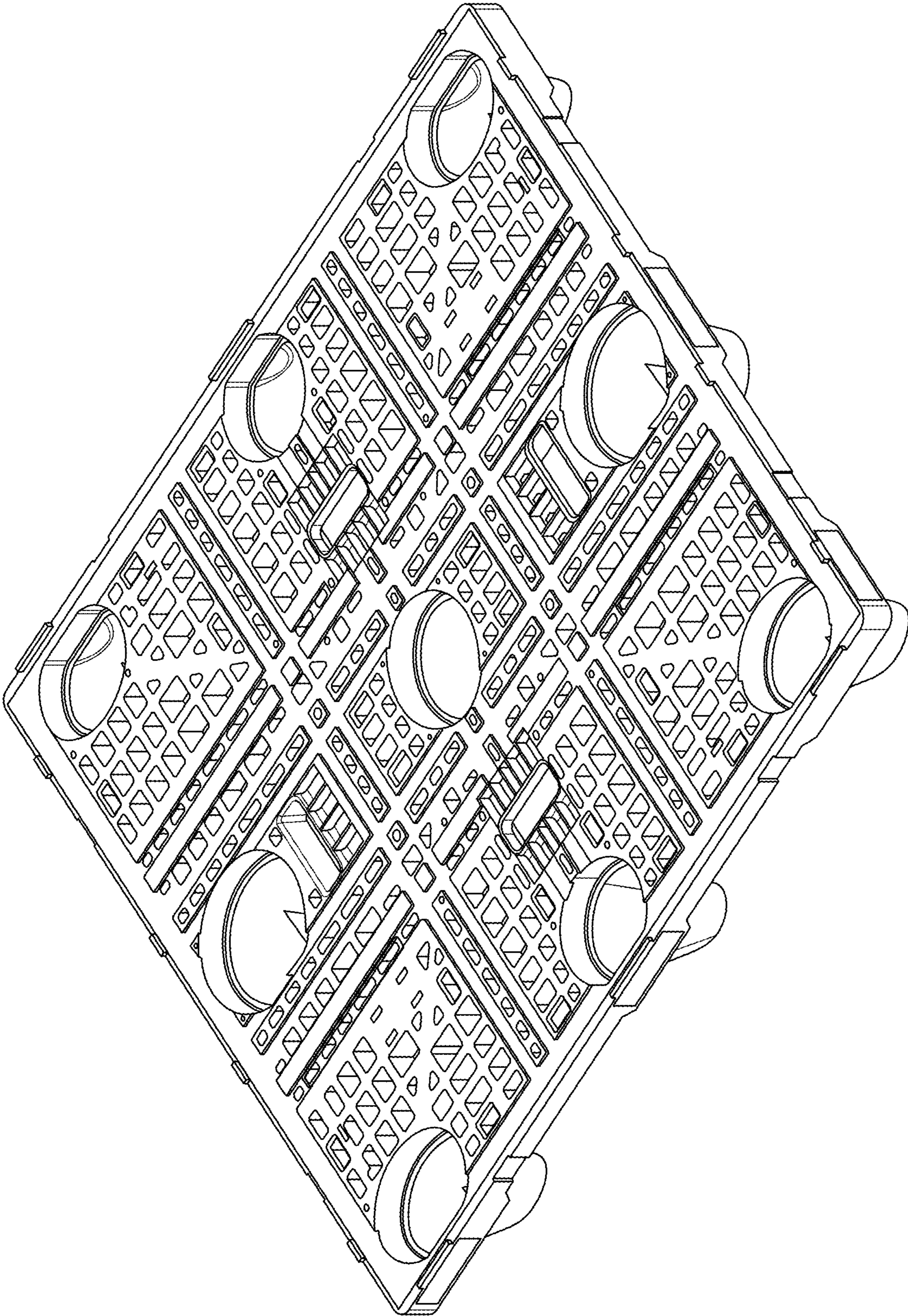


FIG. 10