



US00D930317S

(12) **United States Design Patent**
Piispanen

(10) **Patent No.:** **US D930,317 S**

(45) **Date of Patent:** **** Sep. 7, 2021**

- (54) **HOIST**
- (71) Applicant: **Konecranes Global Corporation**,
Hyvinkää (FI)
- (72) Inventor: **Tatu Piispanen**, Hyvinkää (FI)
- (73) Assignee: **Konecranes Global Corporation**,
Hyvinkää (FI)

D759,336	S	*	6/2016	Piispanen	D34/33
D867,712	S	*	11/2019	Huang	D34/33
D870,413	S	*	12/2019	Clark	D34/33
D880,804	S	*	4/2020	Frazier	D34/33
D910,961	S	*	2/2021	Forster	D34/33
2011/0215285	A1	*	9/2011	Akhavein	B66D 3/006 254/344
2014/0084229	A1	*	3/2014	Morrison	B66D 3/20 254/344

(**) Term: **15 Years**

(21) Appl. No.: **29/728,086**

(22) Filed: **Mar. 16, 2020**

(30) **Foreign Application Priority Data**

Sep. 17, 2019 (EM) 006875217

(51) **LOC (13) Cl.** **12-05**

(52) **U.S. Cl.**
USPC **D34/33**

(58) **Field of Classification Search**
USPC D34/33
CPC ... B66D 1/14; B66D 1/38; B66D 1/28; B66D
1/04; B66D 1/22; B66D 1/39; B66D
1/7405; B66D 1/00; B66D 1/08; B66D
1/26; B66D 1/36; B66D 1/505; B66D
1/7484

See application file for complete search history.

(56) **References Cited**

U.S. PATENT DOCUMENTS

D556,420	S	*	11/2007	Trihey	D34/33
D591,923	S	*	5/2009	Freitas	D34/33

* cited by examiner

Primary Examiner — Cynthia Ramirez

(74) *Attorney, Agent, or Firm* — Leason Ellis LLP

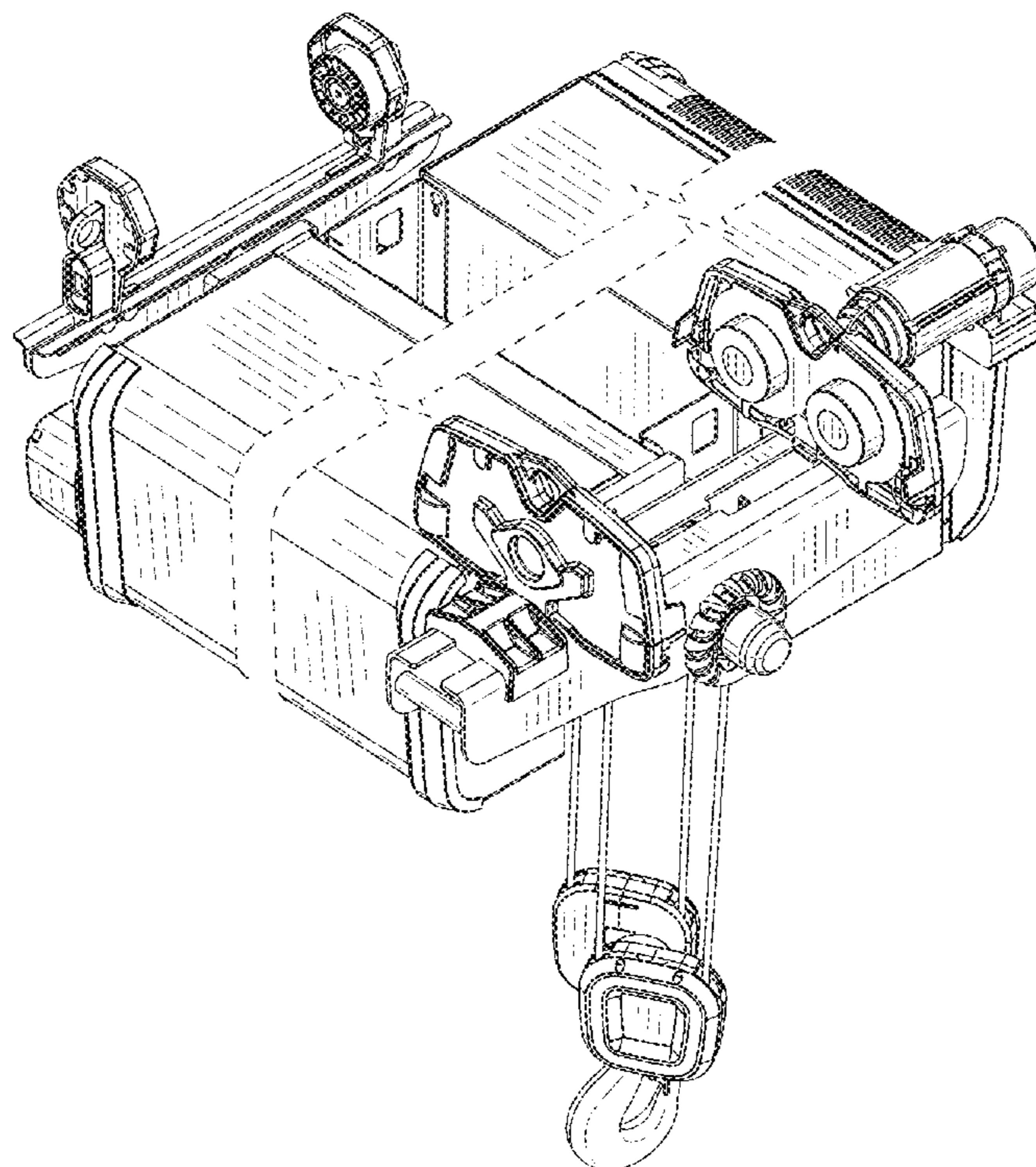
(57) **CLAIM**

The ornamental design for a hoist, as shown and described.

DESCRIPTION

FIG. 1 is a left-rear perspective view of my hoist according to my new design;
 FIG. 2 is a right-rear perspective view thereof;
 FIG. 3 is a front view thereof;
 FIG. 4 is a rear view thereof;
 FIG. 5 is a right-side view thereof;
 FIG. 6 is a left-side view thereof;
 FIG. 7 is a top plan view thereof;
 FIG. 8 is a bottom plan view thereof; and,
 FIG. 9 is a right-front perspective view thereof.
 The hoist is shown with a symbolic break in its length. The appearance of any portion of the article between the break lines forms no part of the claimed design.

1 Claim, 9 Drawing Sheets



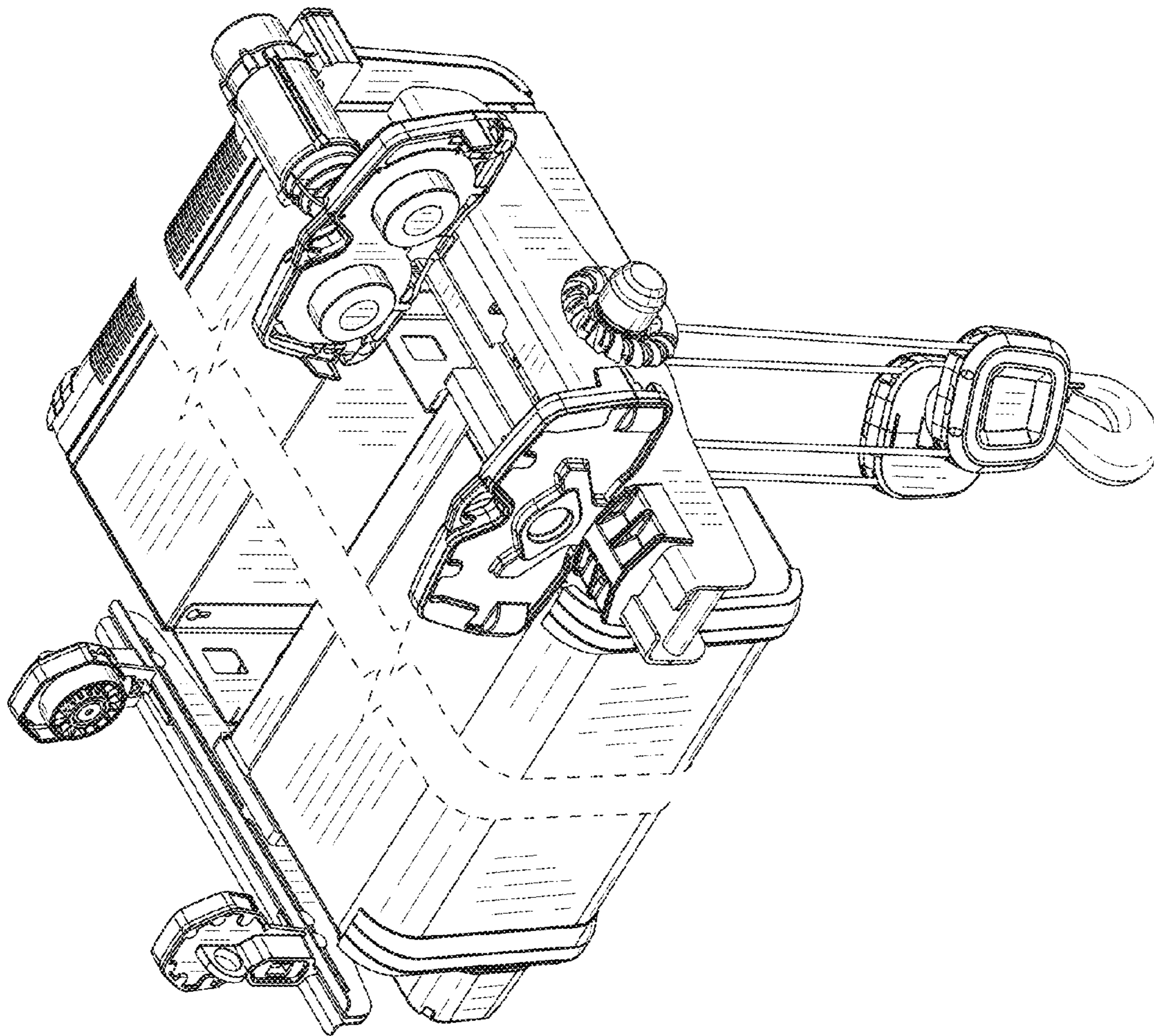


FIG. 1

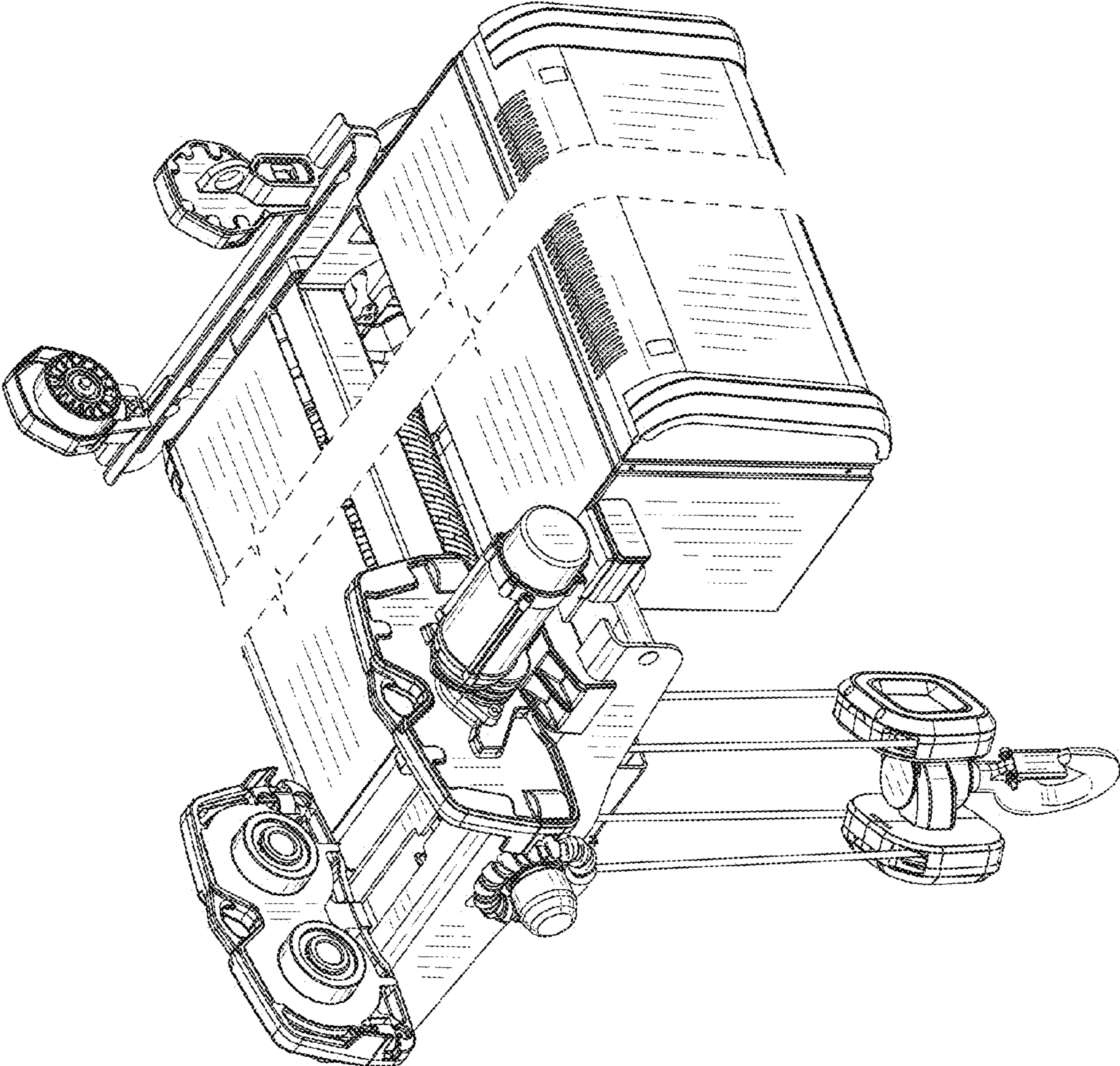


FIG. 2

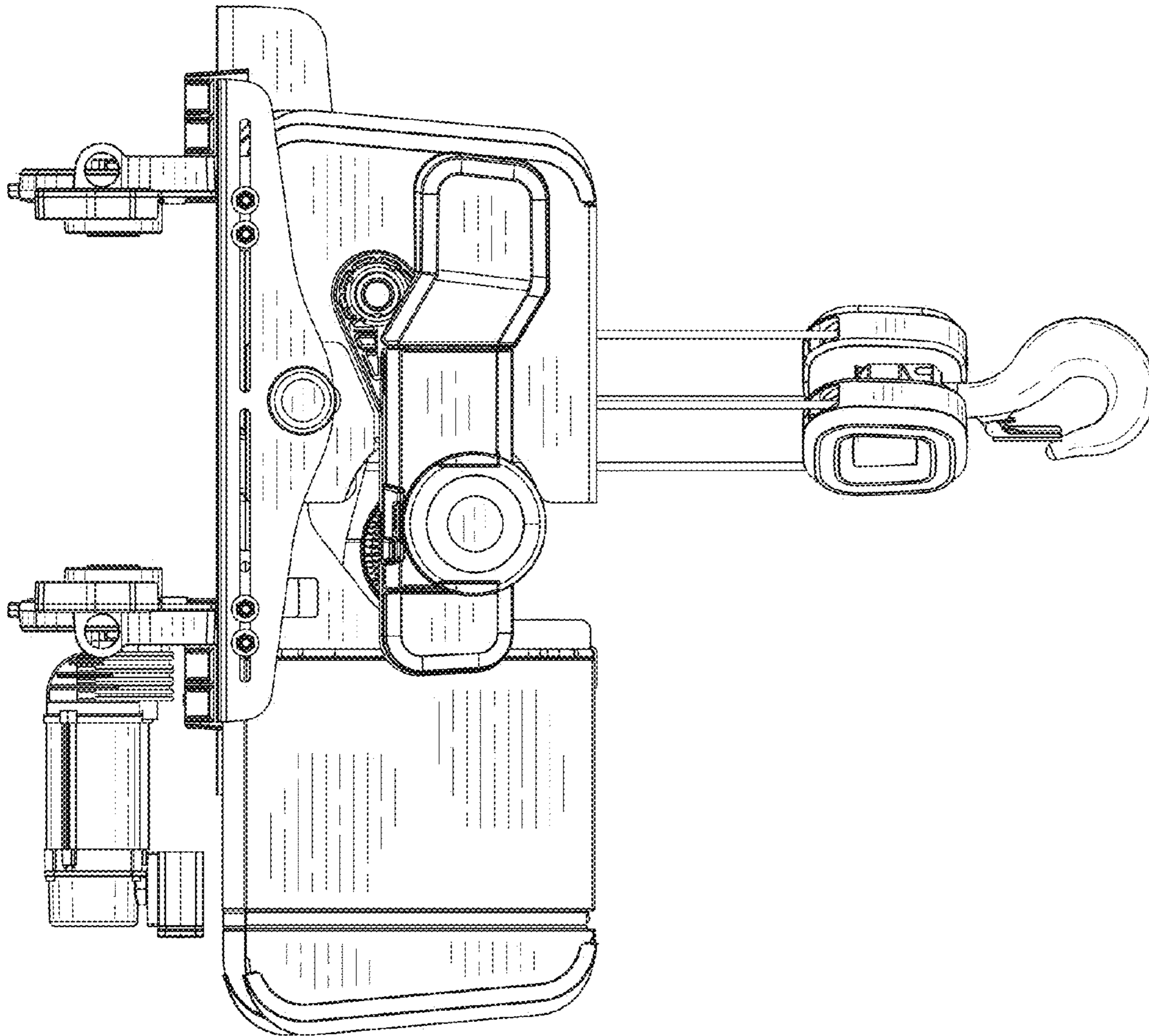


FIG. 3

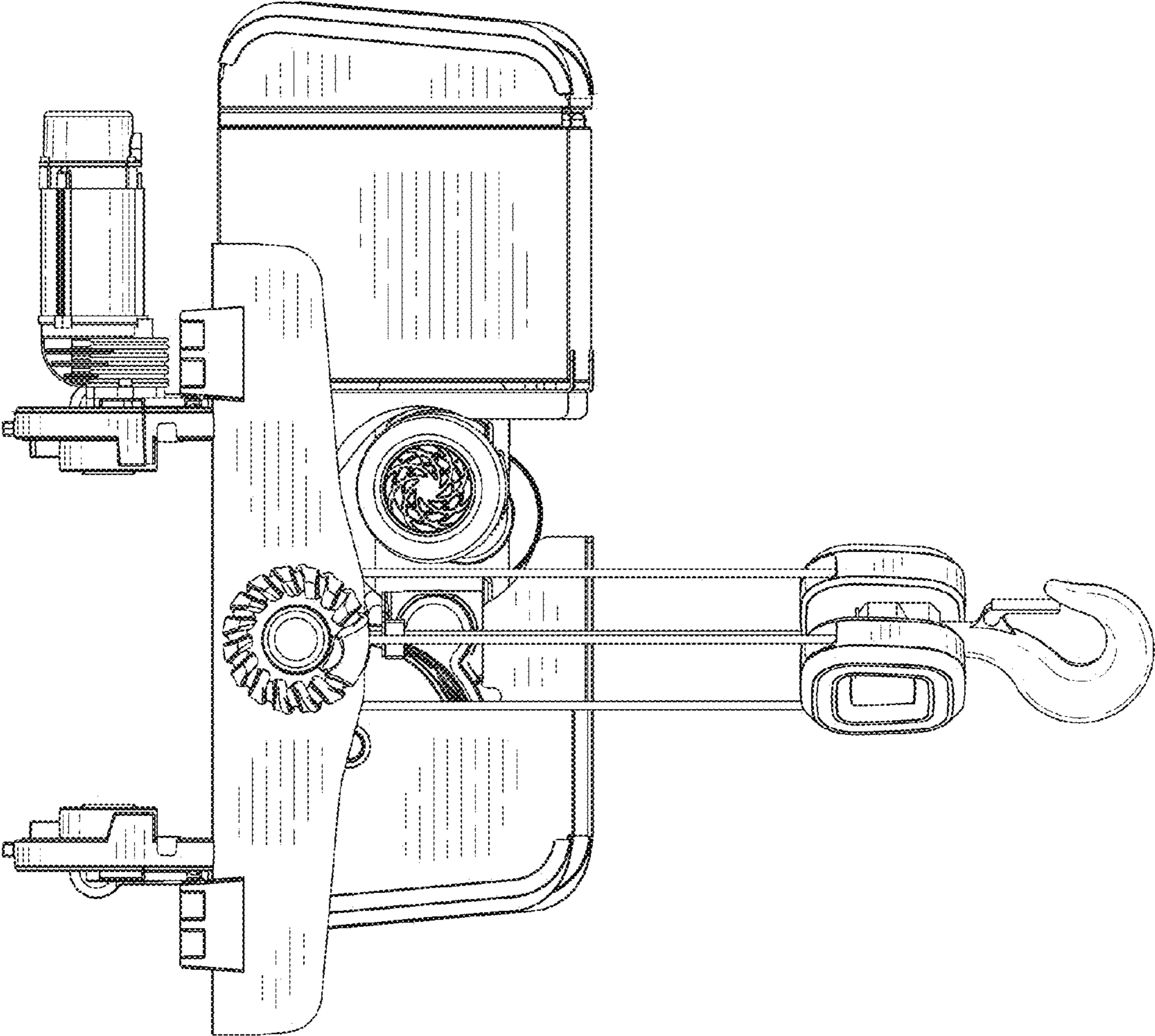


FIG. 4

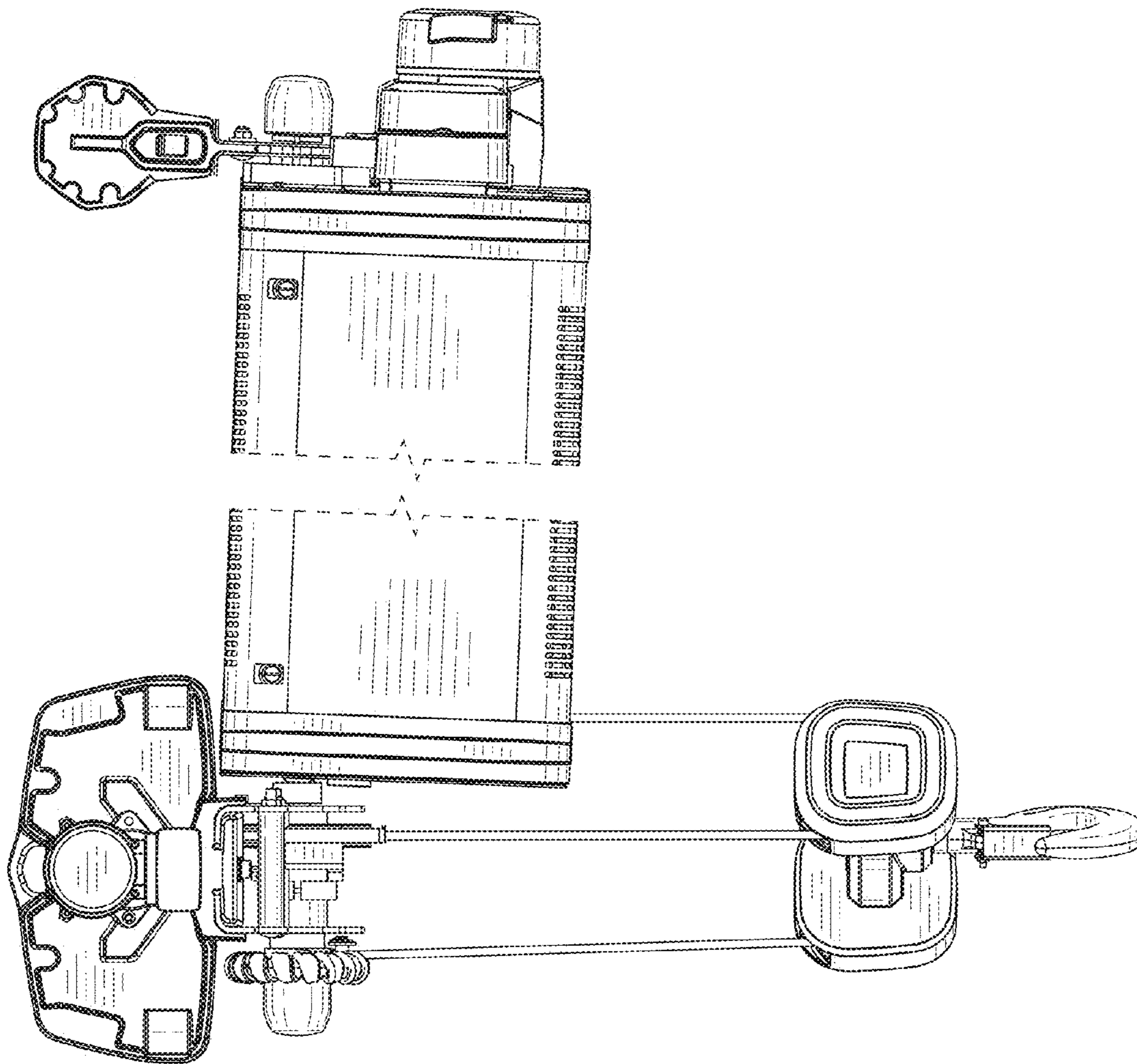


FIG. 5

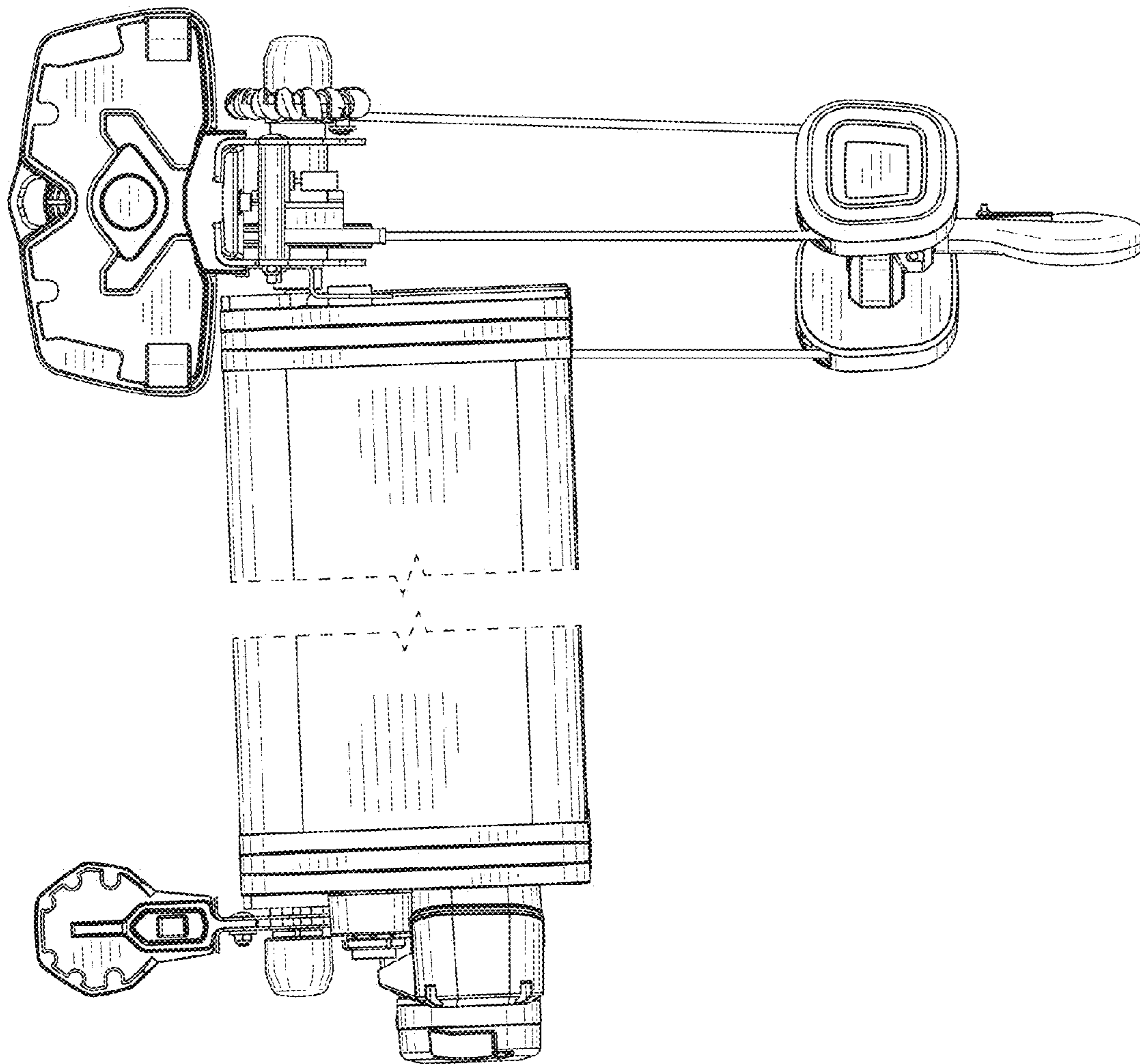


FIG. 6

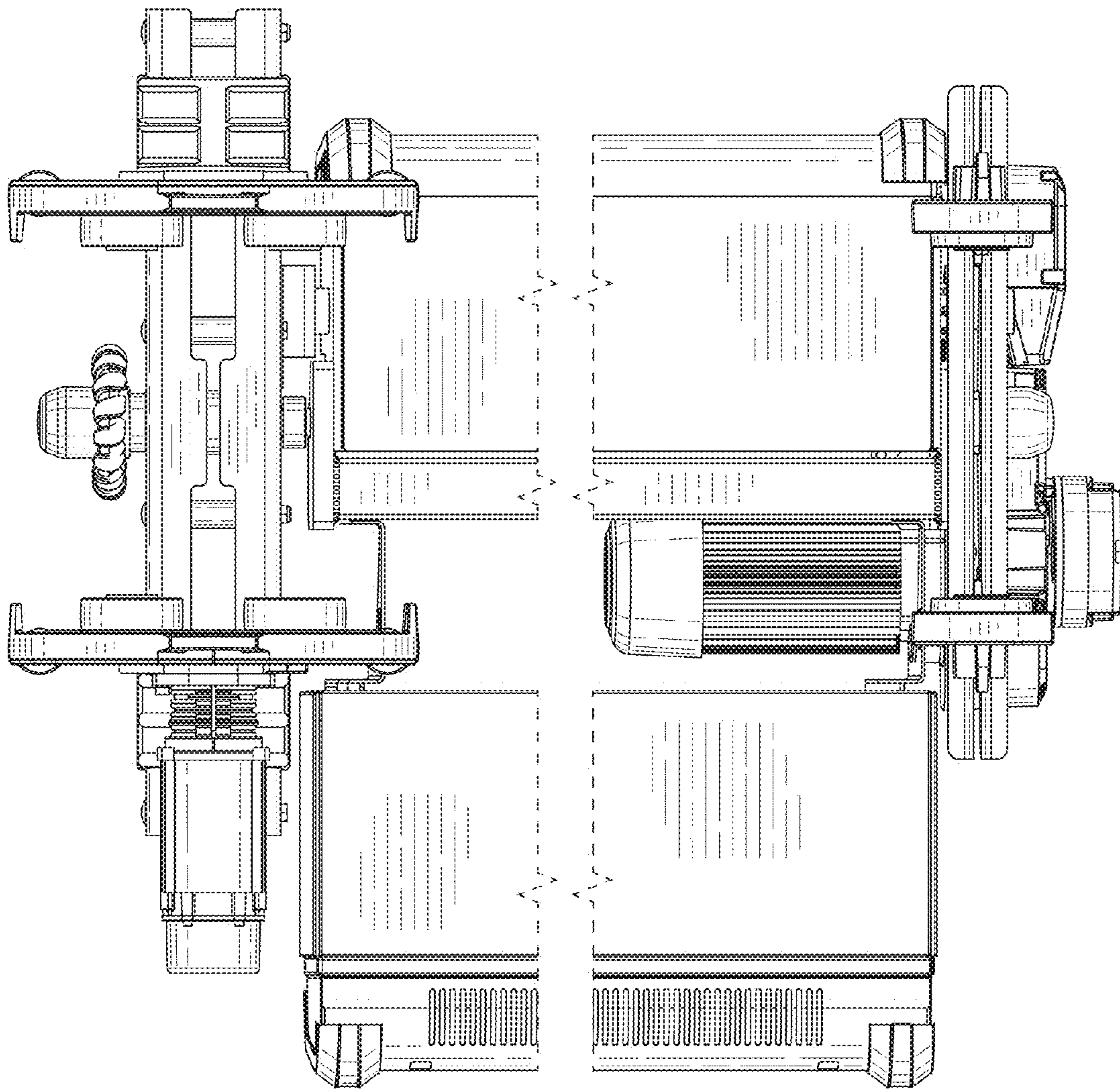


FIG. 7

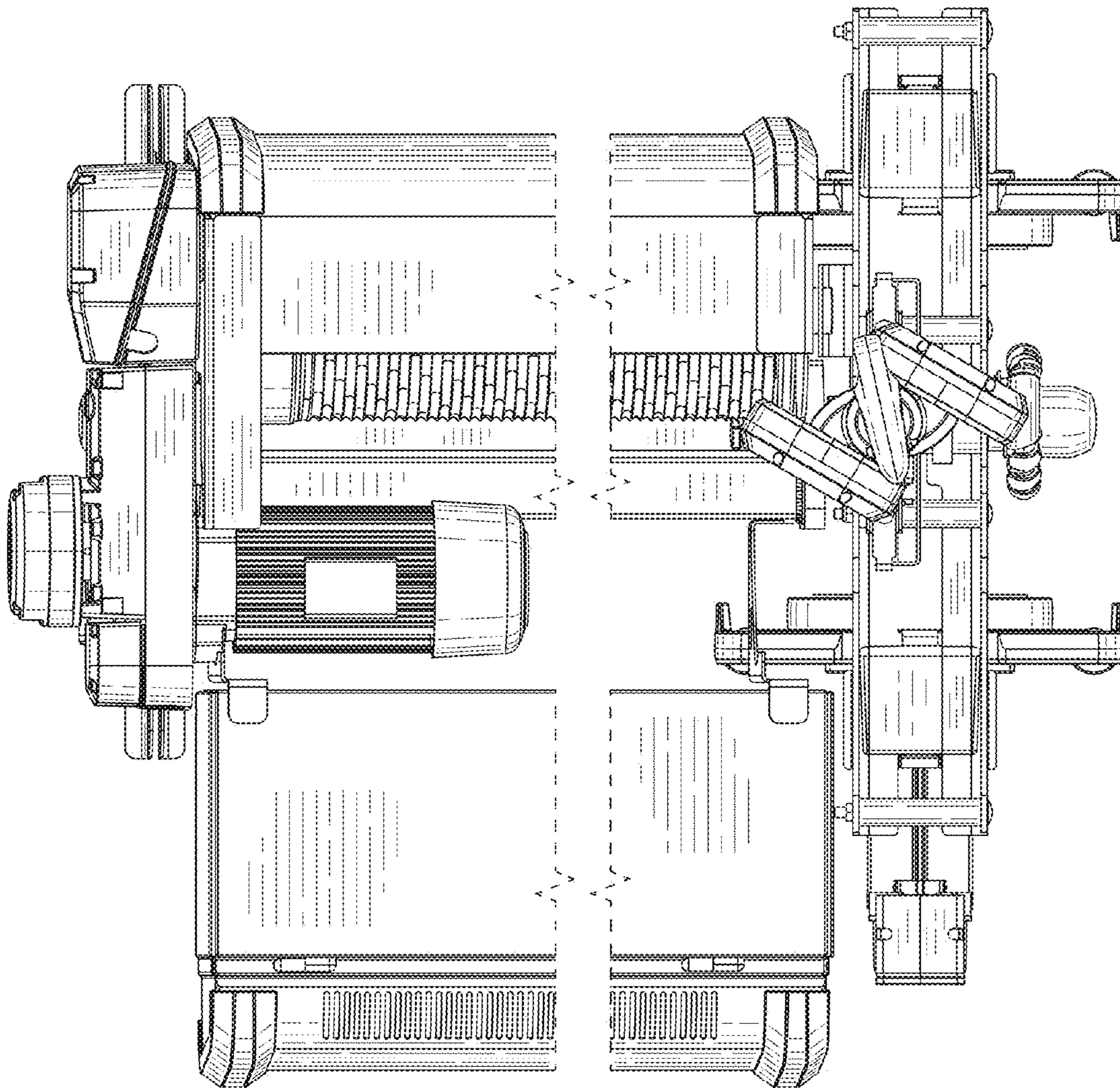


FIG. 8

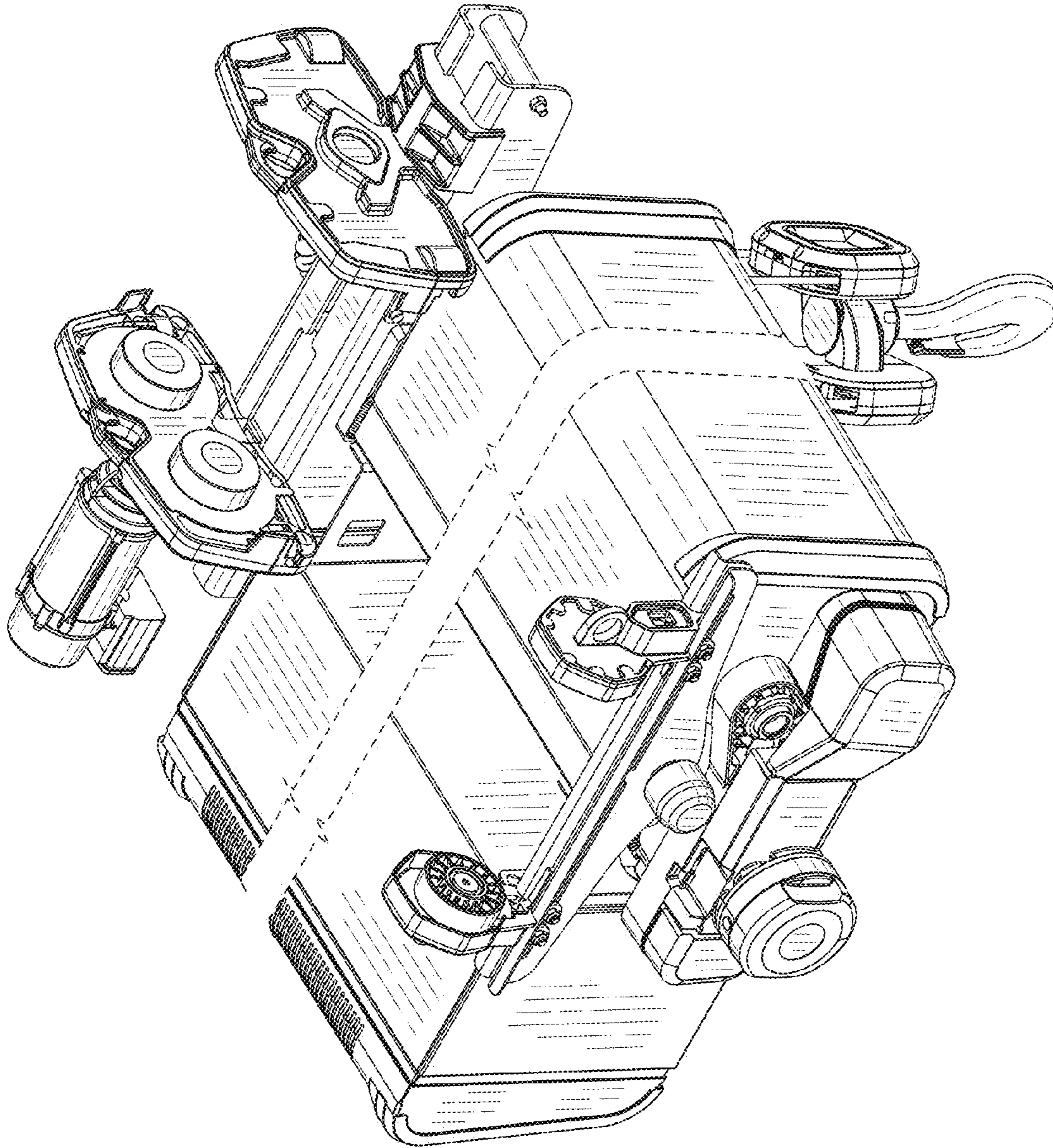


FIG. 9