



US00D930316S

(12) **United States Design Patent** (10) **Patent No.:** **US D930,316 S**
Lanini et al. (45) **Date of Patent:** **** Sep. 7, 2021**

- (54) **WINCH MOUNTING PLATFORM**
- (71) Applicant: **Westin Automotive Products, Inc.**,
San Dimas, CA (US)
- (72) Inventors: **Jeremy Lanini**, Alta Loma, CA (US);
Jimmy Gallagher, Yorba Linda, CA (US)
- (73) Assignee: **Westin Automotive Products, Inc.**,
San Dimas, CA (US)
- (**) Term: **15 Years**
- (21) Appl. No.: **29/713,014**
- (22) Filed: **Nov. 13, 2019**
- (51) **LOC (13) Cl.** **12-05**
- (52) **U.S. Cl.**
USPC **D34/33**
- (58) **Field of Classification Search**
USPC D34/33, 35; D12/162
CPC . B66D 1/12; B66D 1/485; B66D 1/00; B66D
1/38; B66D 2700/0141; B66D 1/14;
B66D 1/46; B66D 1/34; B66D 1/505;
B66D 1/30; B66D 3/006
See application file for complete search history.

Primary Examiner — Gino Colan
(74) *Attorney, Agent, or Firm* — The Dobrusin Law Firm,
PC

(57) **CLAIM**

The ornamental design for an winch mounting platform, as shown and described.

DESCRIPTION

FIG. 1 shows a front prospective view of an integrated solenoid winch mount of the present invention attached to a winch;
 FIG. 2 shows a front prospective view of the integrated solenoid winch mount as shown in FIG. 1 by itself and not attached to a winch;
 FIG. 3 shows a rear prospective view of the integrated solenoid winch mount as shown in FIG. 1 attached to a winch;
 FIG. 4 shows a rear prospective view of the integrated solenoid winch mount as shown in FIG. 2;
 FIG. 5 shows a front view of the integrated solenoid winch mount as shown in FIG. 2;
 FIG. 6 shows a rear view of the integrated solenoid winch mount as shown in FIG. 2;
 FIG. 7 shows a top view of the integrated solenoid winch mount as shown in FIG. 2;
 FIG. 8 shows a bottom view of the integrated solenoid winch mount as shown in FIG. 2;
 FIG. 9 shows a left side view of the integrated solenoid winch mount as shown in FIG. 2; and,
 FIG. 10 shows a right side view of the integrated solenoid winch mount as shown in FIG. 2.
 The broken lines shown in the drawings are for the purpose of illustrating environmental structure and form no part of the claimed design.

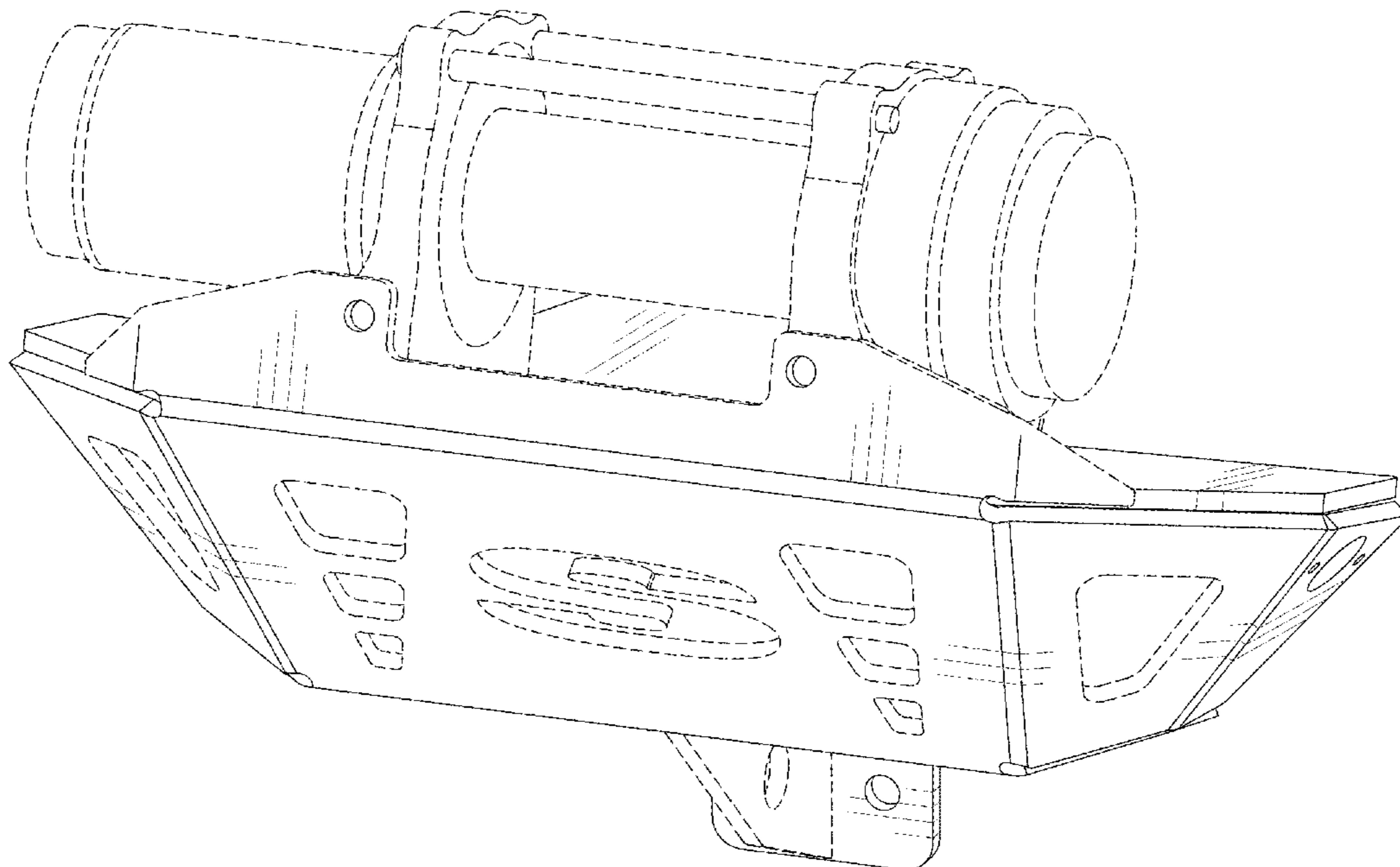
(56) **References Cited**

U.S. PATENT DOCUMENTS

D330,962 S *	11/1992	Cundy	D34/33
D682,750 S *	5/2013	Smith	D12/162
D709,803 S *	7/2014	Lancaster	D12/162
D839,527 S *	1/2019	Goetsch	D34/33
D867,714 S *	11/2019	Christensen	D34/33
10,793,052 B1 *	10/2020	Rafuse	B60P 7/0869

* cited by examiner

1 Claim, 10 Drawing Sheets



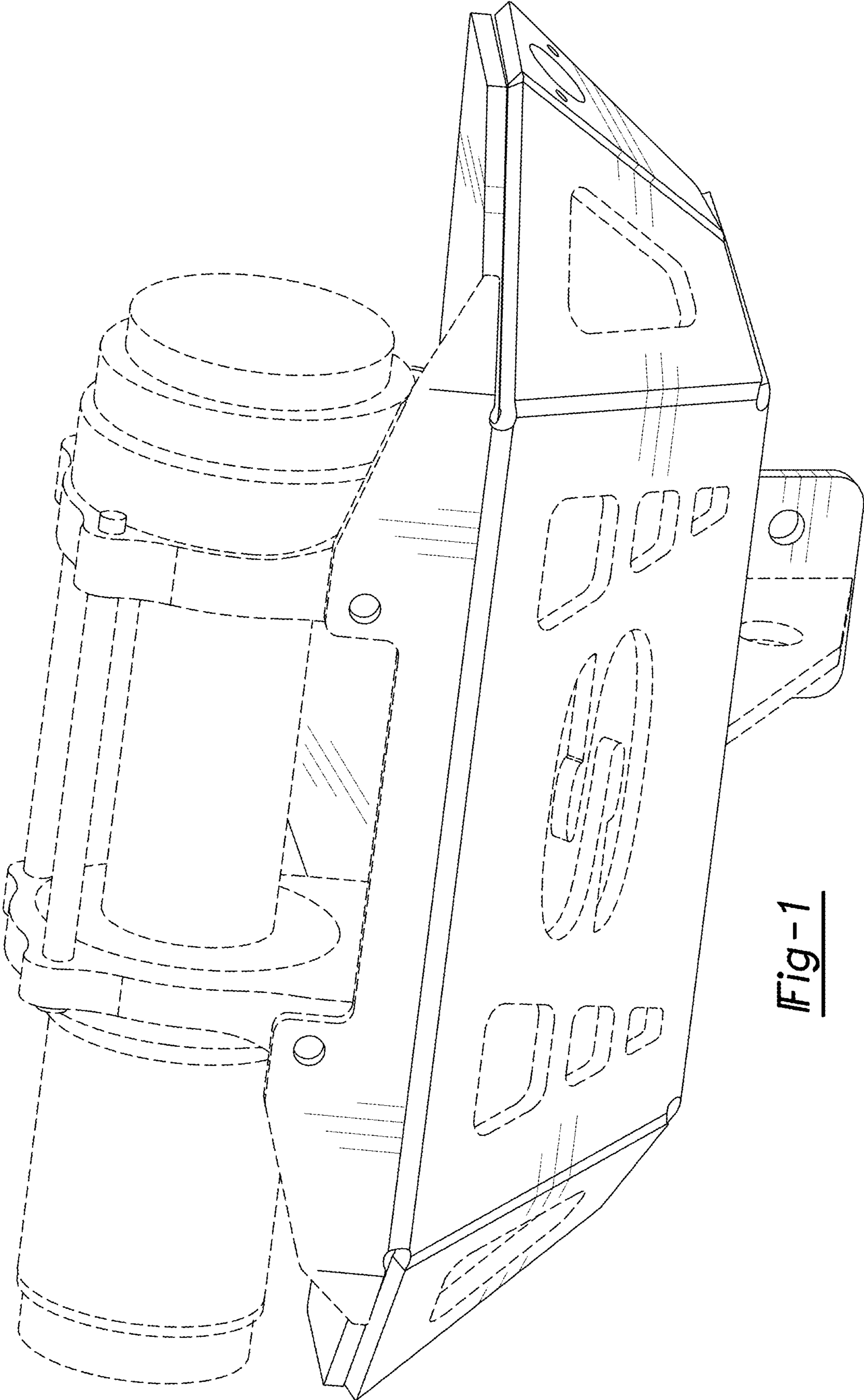


Fig-1

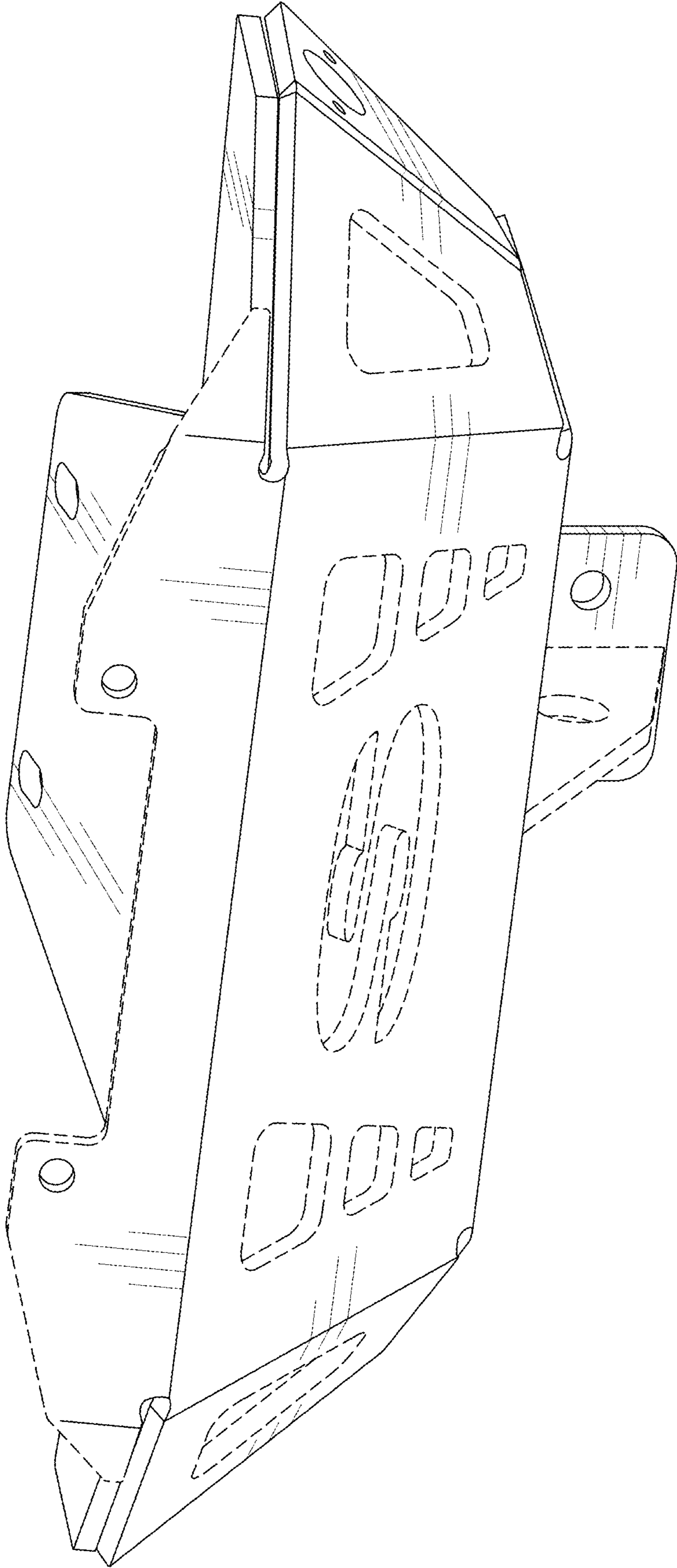


Fig-2

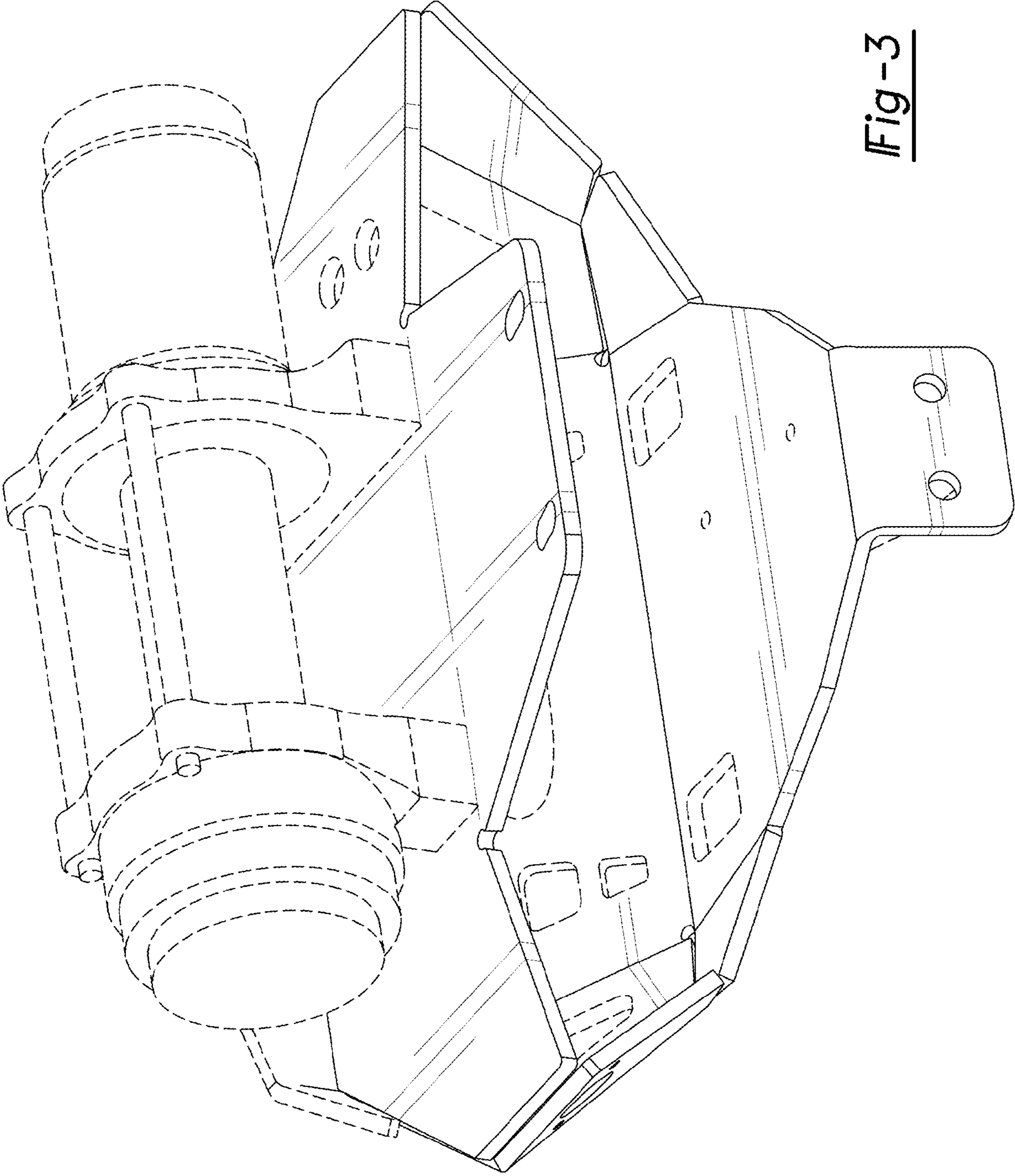


Fig - 3

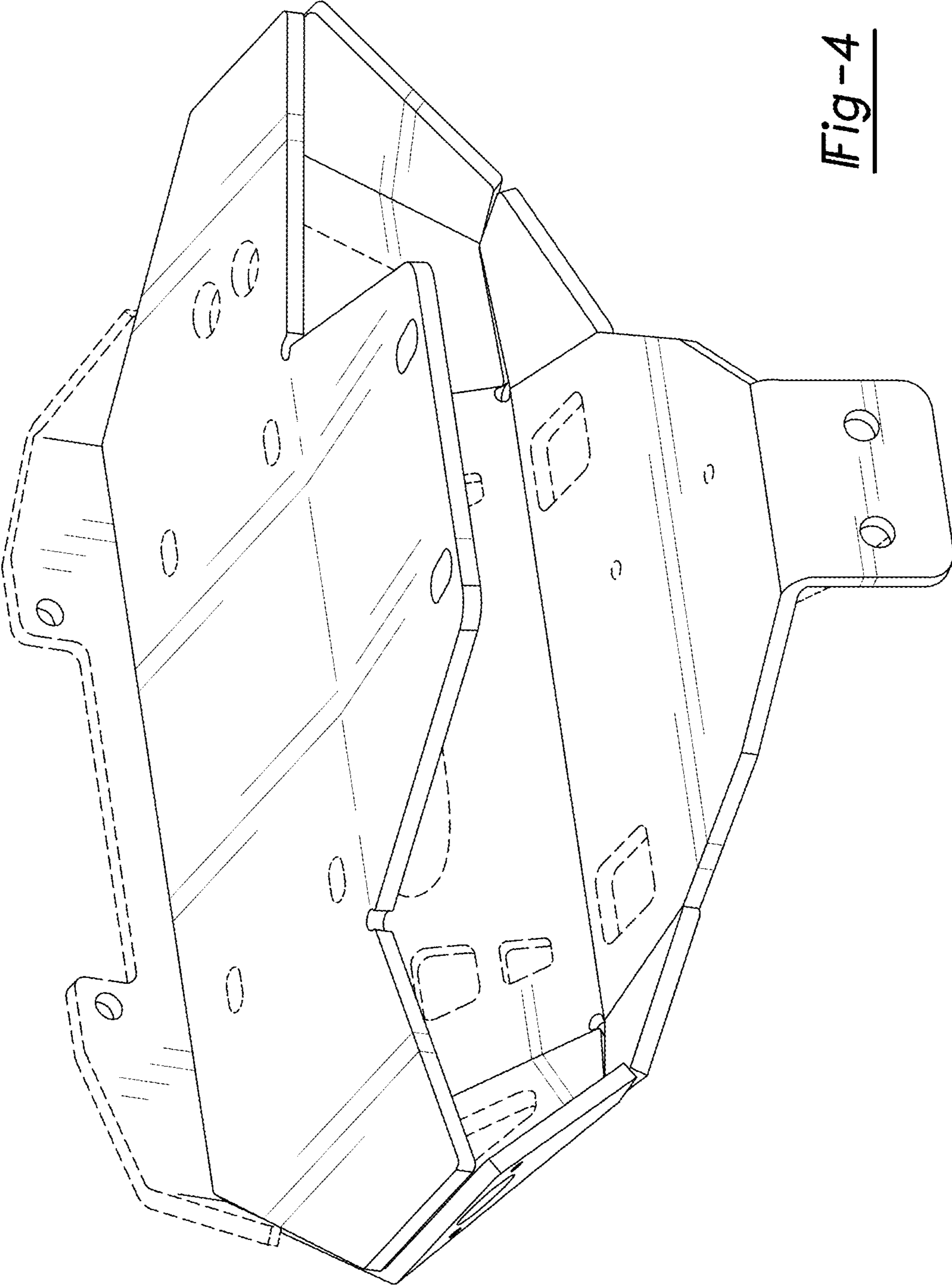


Fig - 4

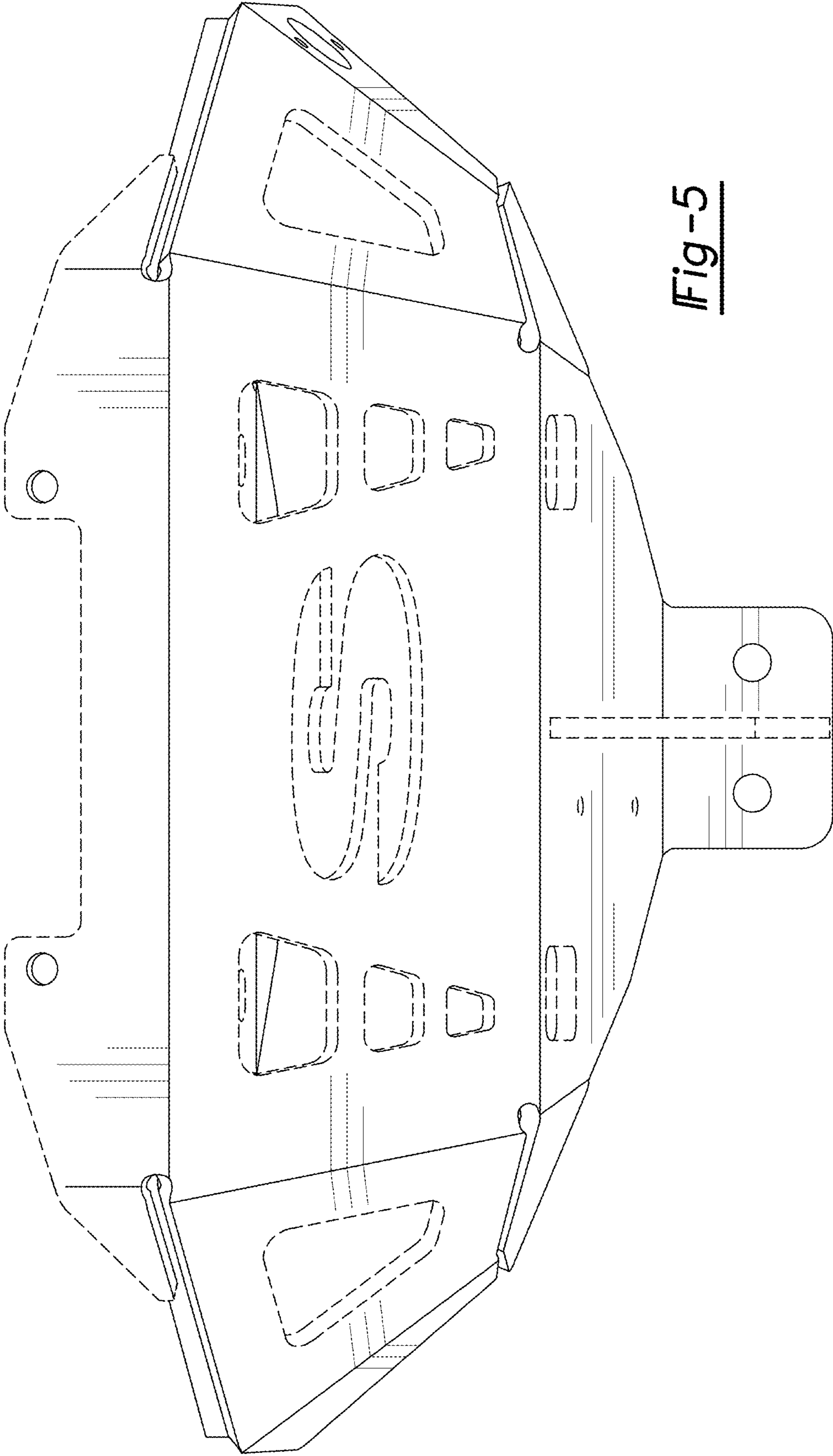


Fig-5

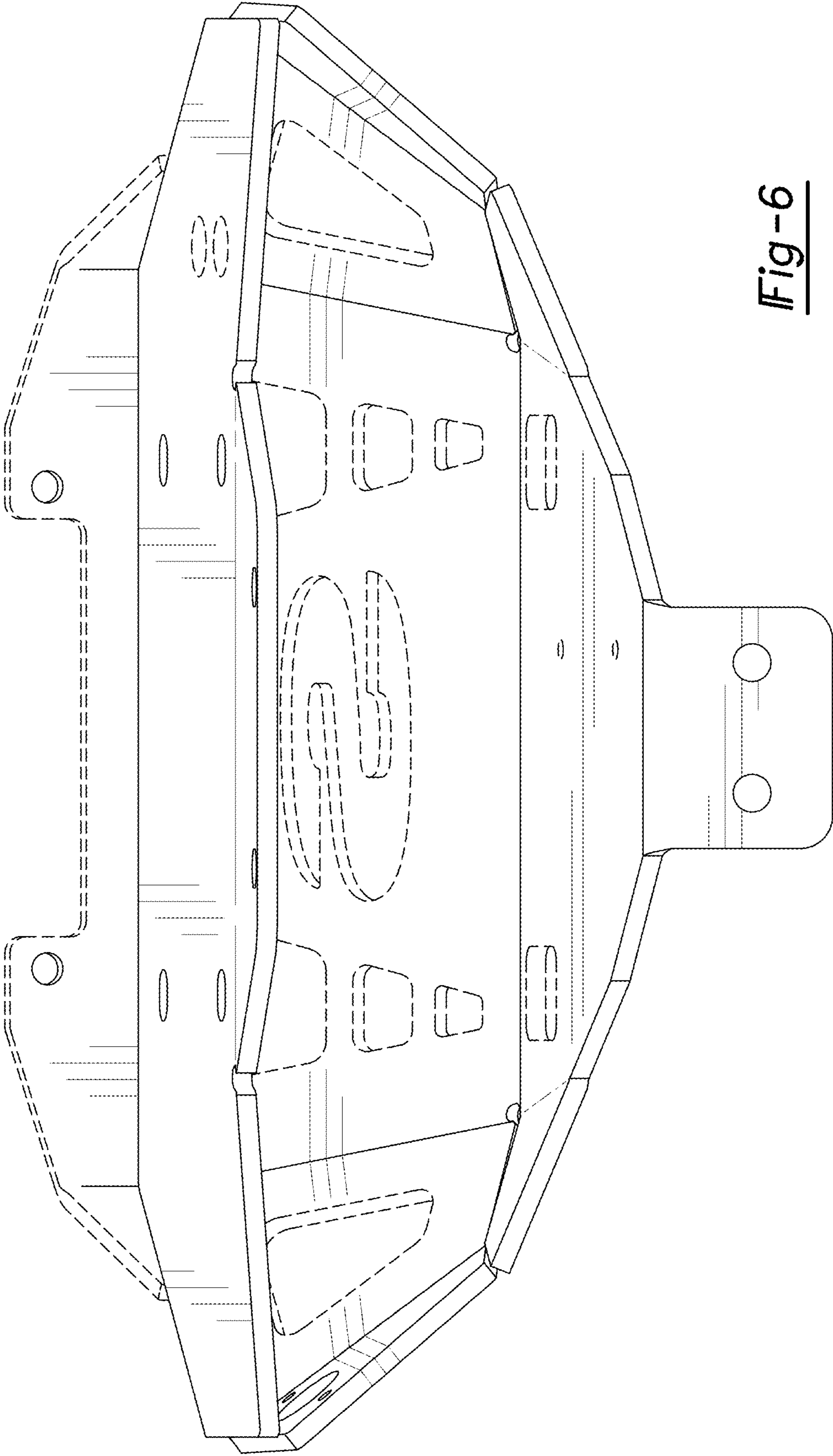


Fig-6

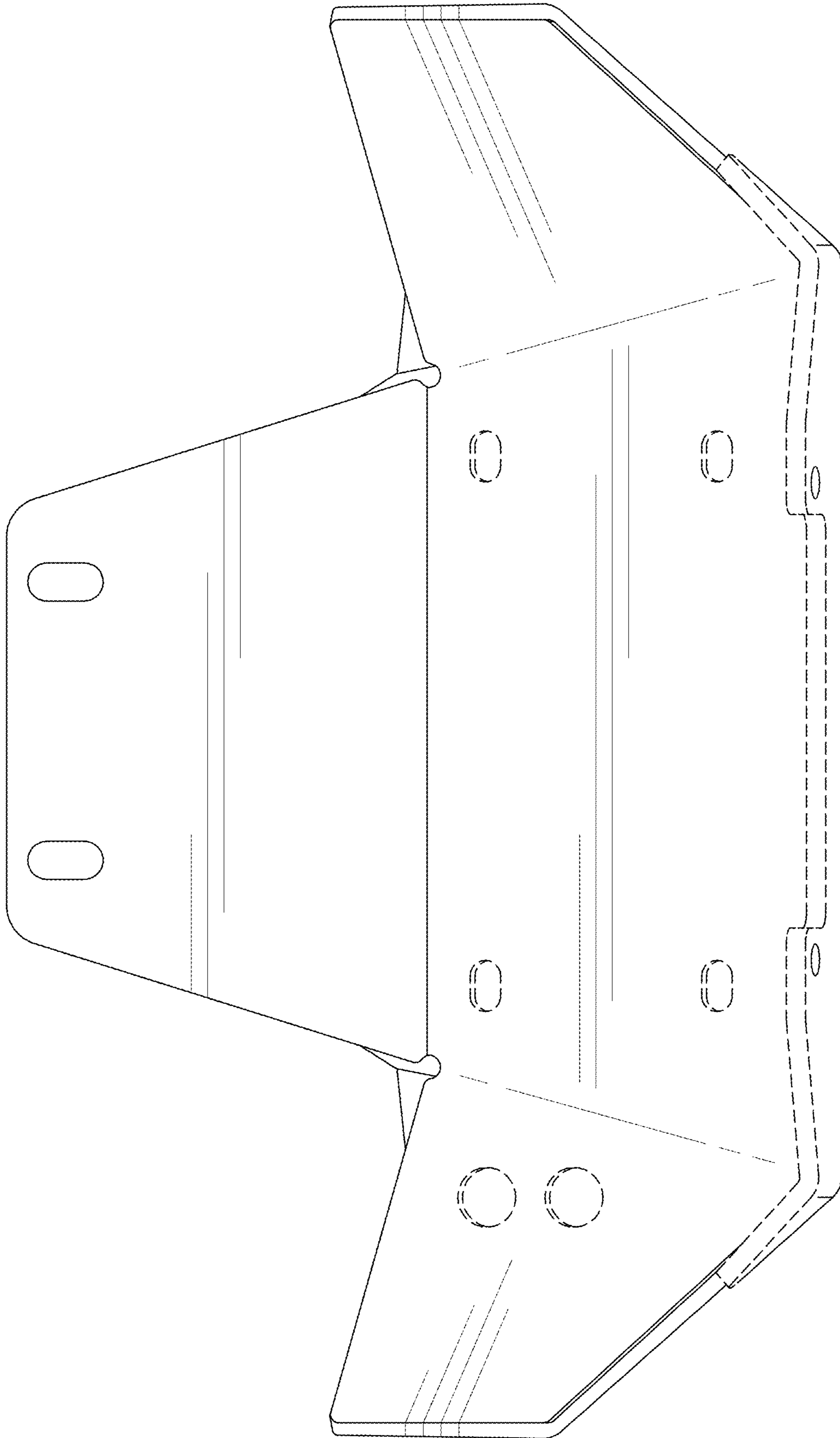


Fig-7

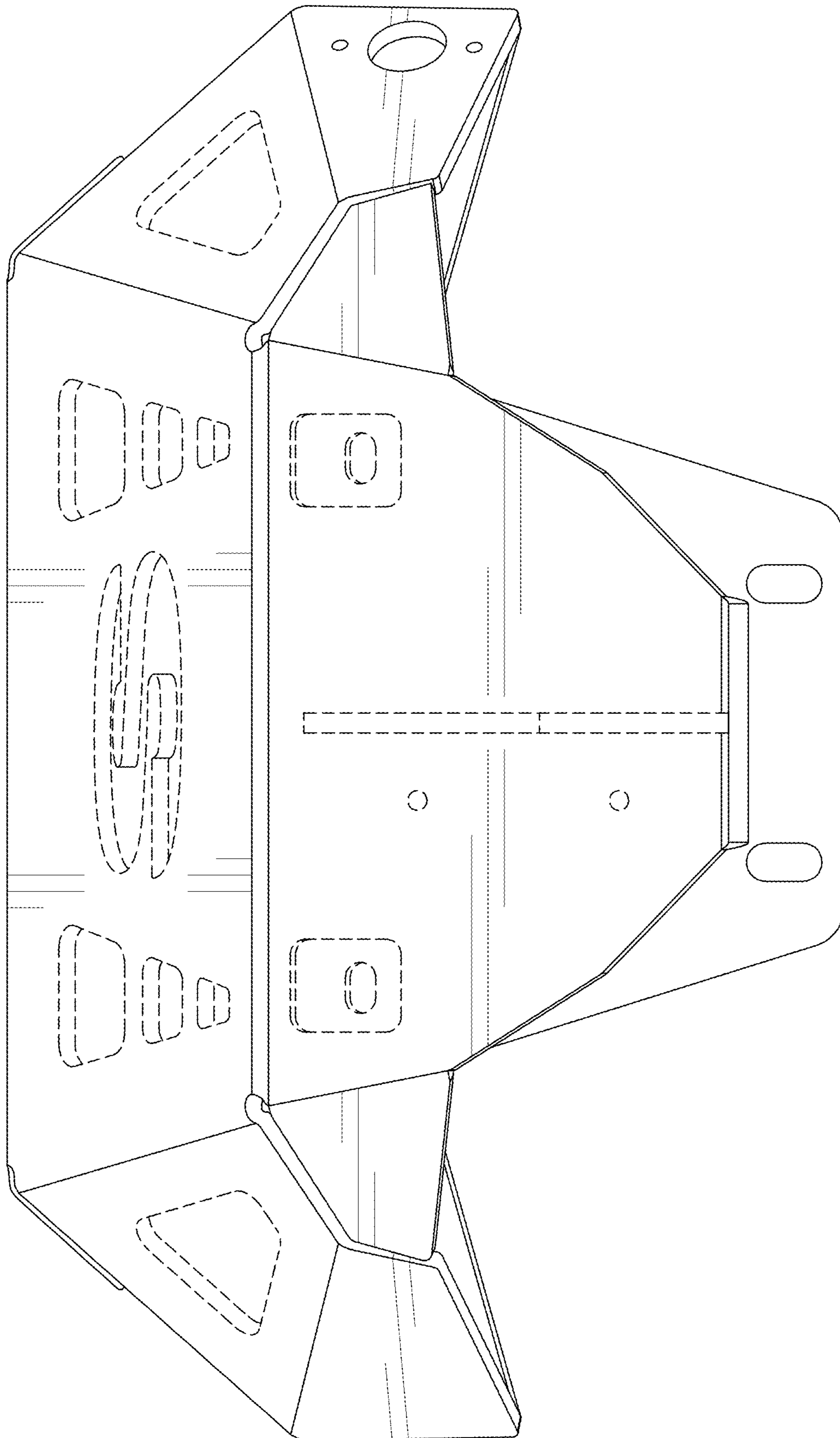


Fig-8

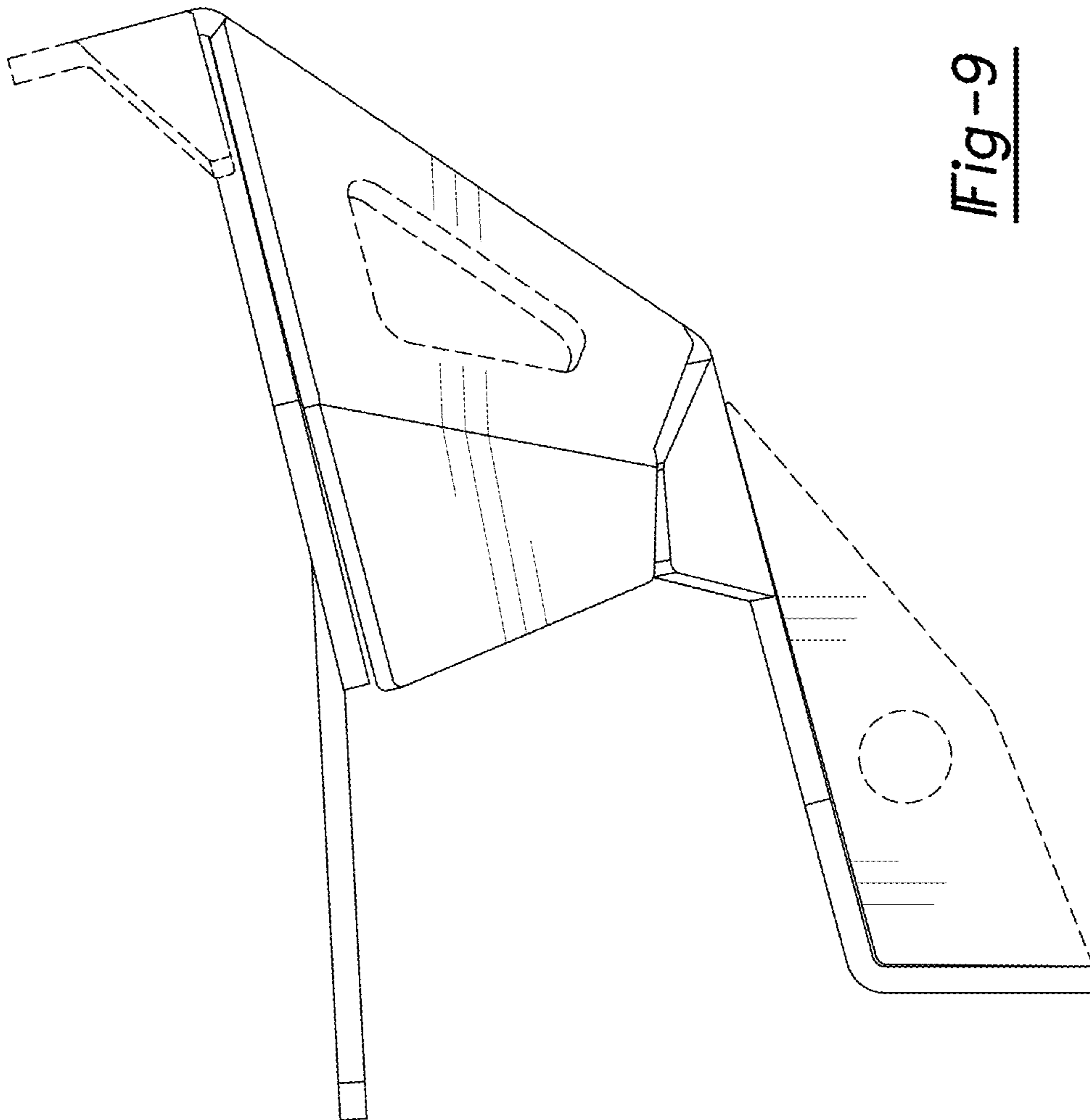


Fig-9

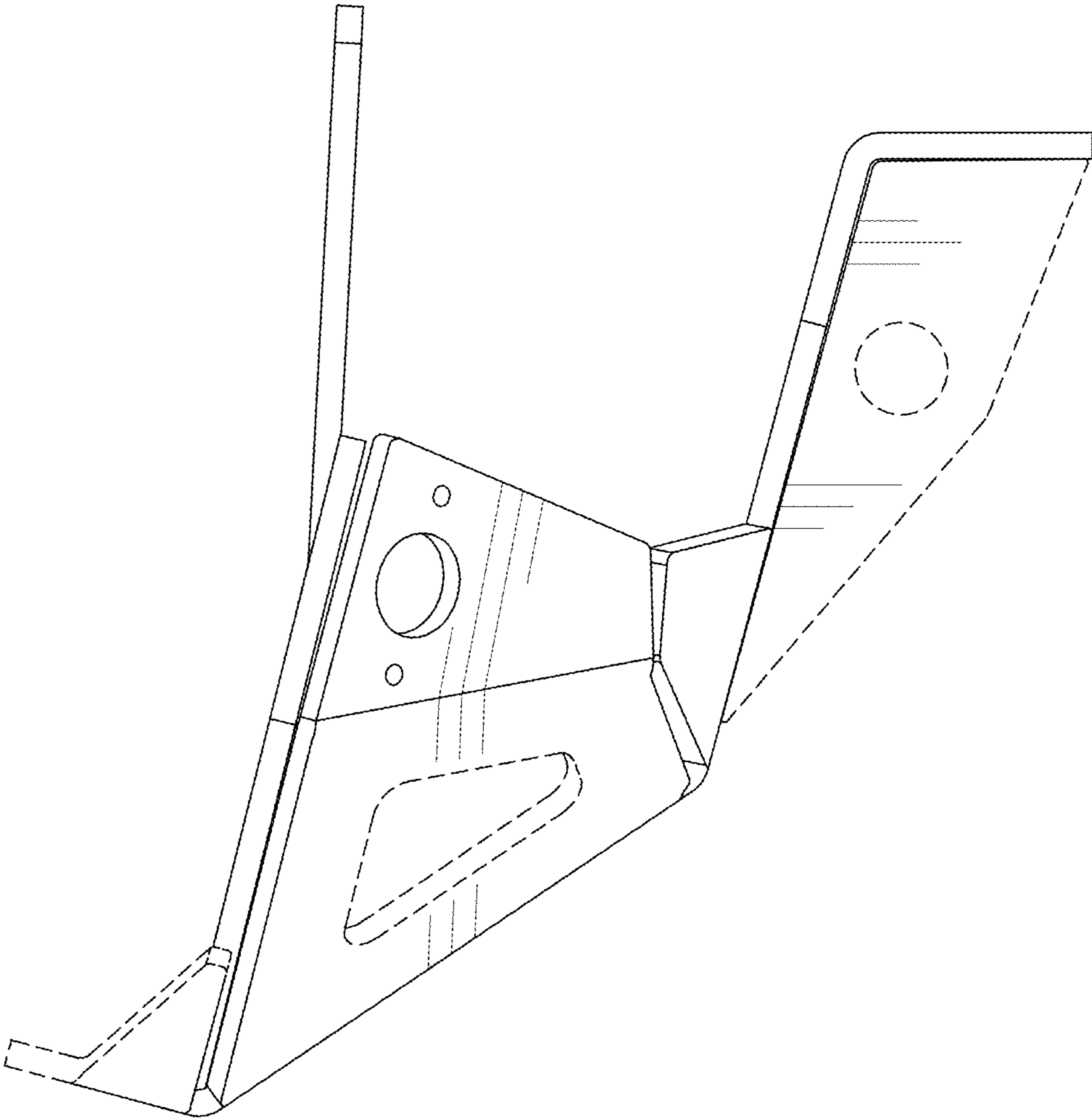


Fig-10

UNITED STATES PATENT AND TRADEMARK OFFICE
CERTIFICATE OF CORRECTION

PATENT NO. : D930,316 S
APPLICATION NO. : 29/713014
DATED : September 7, 2021
INVENTOR(S) : Jeremy Lanini and Jimmy Gallagher

Page 1 of 1

It is certified that error appears in the above-identified patent and that said Letters Patent is hereby corrected as shown below:

On the Title Page

Item (57) CLAIM, Line 1, delete “an winch mounting” and insert --a winch mounting--

Item (57) DESCRIPTION

FIGS. 1-10 insert --platform-- after every use of “an integrated solenoid winch mount”

Signed and Sealed this
Fourth Day of January, 2022



Drew Hirshfeld
*Performing the Functions and Duties of the
Under Secretary of Commerce for Intellectual Property and
Director of the United States Patent and Trademark Office*