

US00D930314S

(12) **United States Design Patent**
Huang

(10) **Patent No.:** **US D930,314 S**

(45) **Date of Patent:** **** Sep. 7, 2021**

- (54) **GROCERY CART**
 - (71) Applicant: **Lihua Huang**, Foshan (CN)
 - (72) Inventor: **Lihua Huang**, Foshan (CN)
 - (**) Term: **15 Years**
 - (21) Appl. No.: **29/712,292**
 - (22) Filed: **Nov. 7, 2019**
 - (51) **LOC (13) Cl.** **12-02**
 - (52) **U.S. Cl.**
USPC **D34/17**
 - (58) **Field of Classification Search**
USPC D34/12, 19, 20, 22, 23, 24, 25, 17
CPC B62B 3/002; B62B 3/005; B62B 3/027;
B62B 3/1408; B62B 3/146; B62B 3/142;
B62B 3/02; B62B 3/10; B62B 3/12;
B62B 3/14; B62B 3/1492; B62B 3/165;
B62B 5/06; B62B 5/067; B62B 1/112;
B62B 1/12
- See application file for complete search history.

- 3,627,344 A * 12/1971 Rizzuto B62B 1/002
280/47.2
- D286,218 S * 10/1986 Friedman D34/17
- D343,040 S * 1/1994 Wilson D34/17
- 5,294,158 A * 3/1994 Cheng B62B 3/02
280/641
- D905,368 S * 12/2020 Manning D34/12
- 2002/0171214 A1* 11/2002 Prather B62B 3/142
280/47.35
- 2005/0140118 A1* 6/2005 Prather B62B 3/027
280/651
- 2011/0220642 A1* 9/2011 Leung A45C 13/385
220/6
- 2020/0239054 A1* 7/2020 Darvish B62B 3/027

* cited by examiner

Primary Examiner — Cynthia Ramirez

(57) **CLAIM**

The ornamental design for a grocery cart, as shown and described.

DESCRIPTION

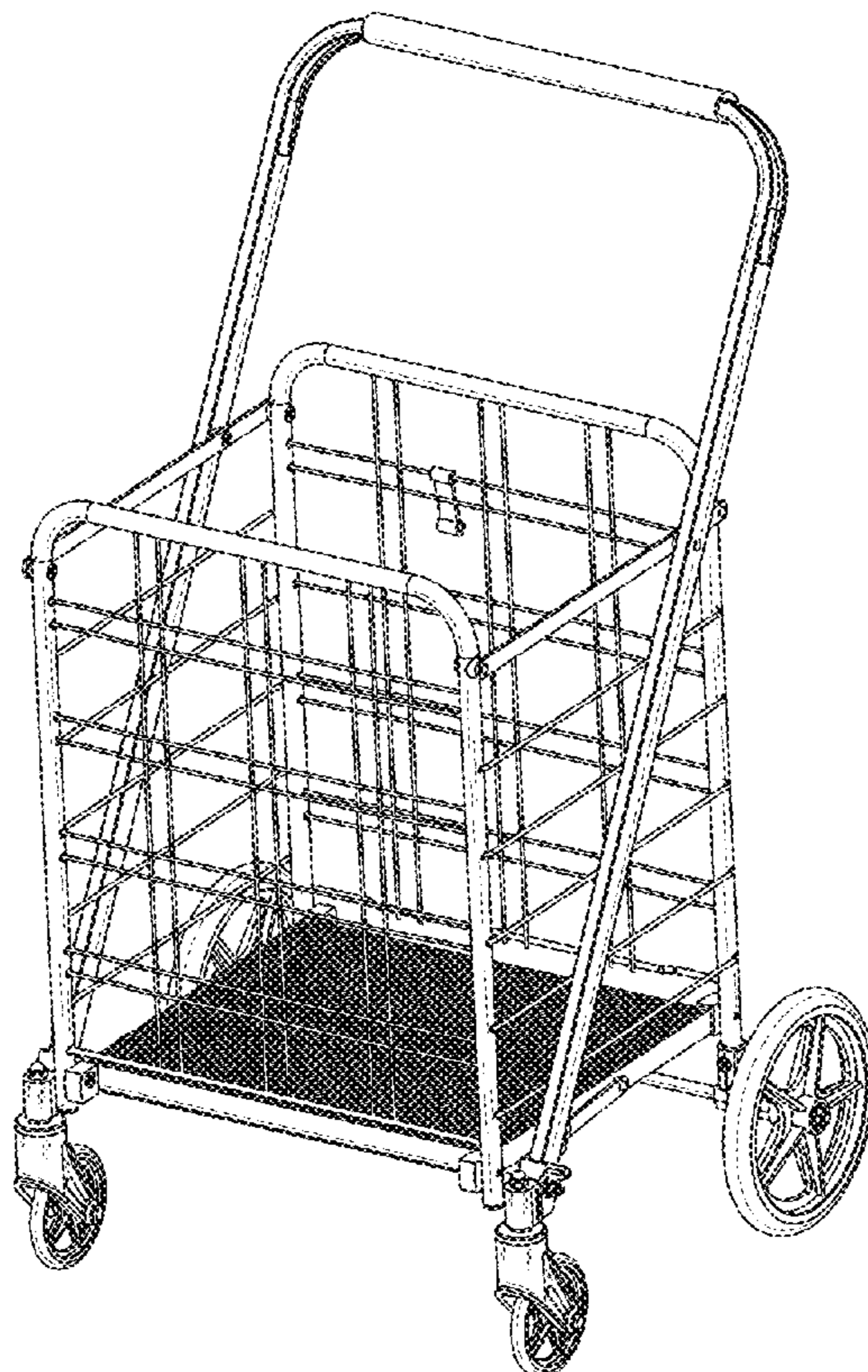
FIG. 1 is a perspective view of a grocery cart, showing my new design;
 FIG. 2 is a front elevation view thereof;
 FIG. 3 is a back elevation view thereof;
 FIG. 4 is a left elevation view thereof;
 FIG. 5 is a right elevation view thereof;
 FIG. 6 is a top elevation view thereof; and,
 FIG. 7 is a bottom elevation view thereof.

1 Claim, 7 Drawing Sheets

(56) **References Cited**

U.S. PATENT DOCUMENTS

- D155,640 S * 10/1949 Stoll D34/24
- D180,543 S * 7/1957 Best D34/24
- 2,920,900 A * 1/1960 Best B62B 3/027
280/652
- 3,514,123 A * 5/1970 Injeski B62B 1/12
280/652



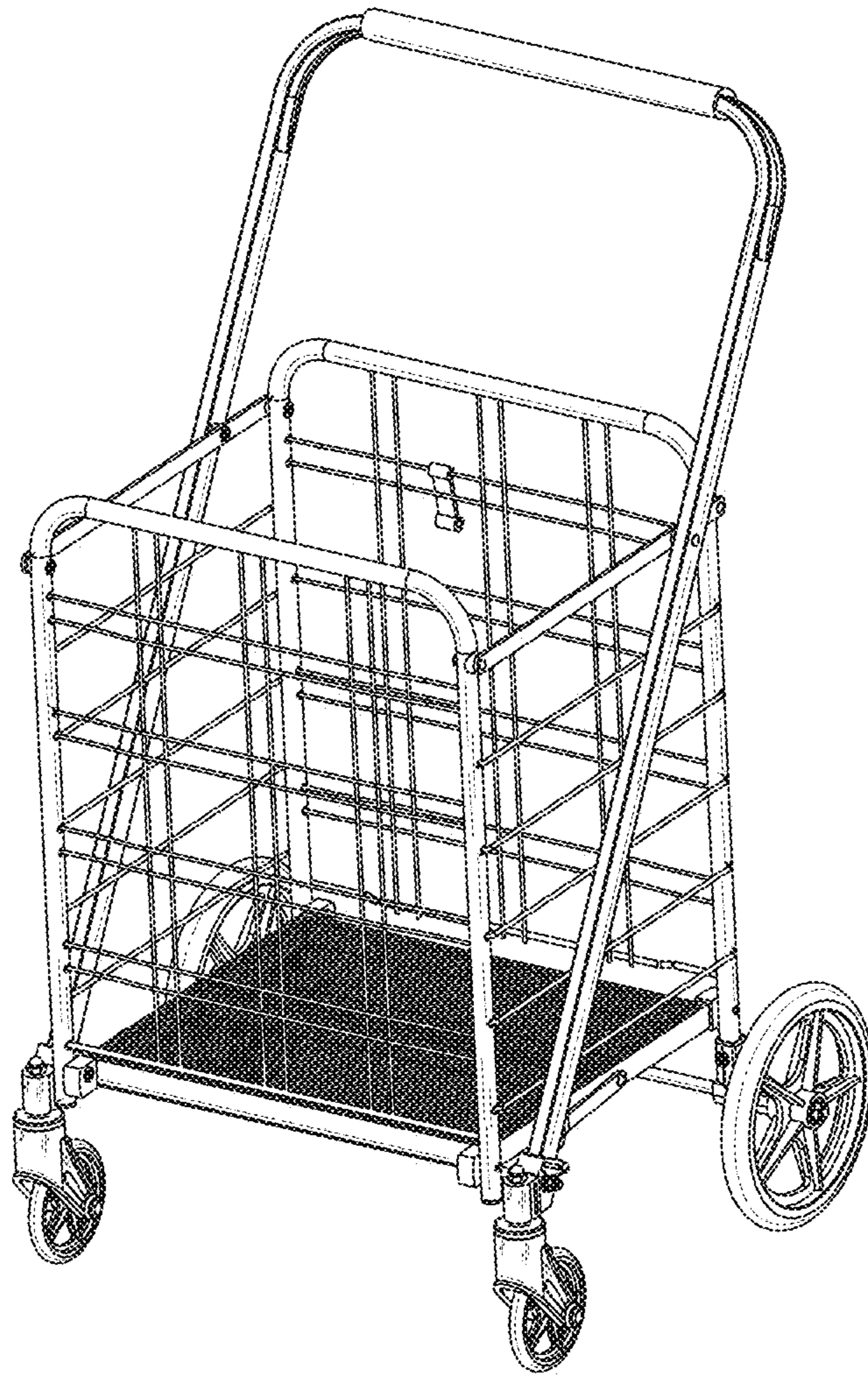


FIG. 1

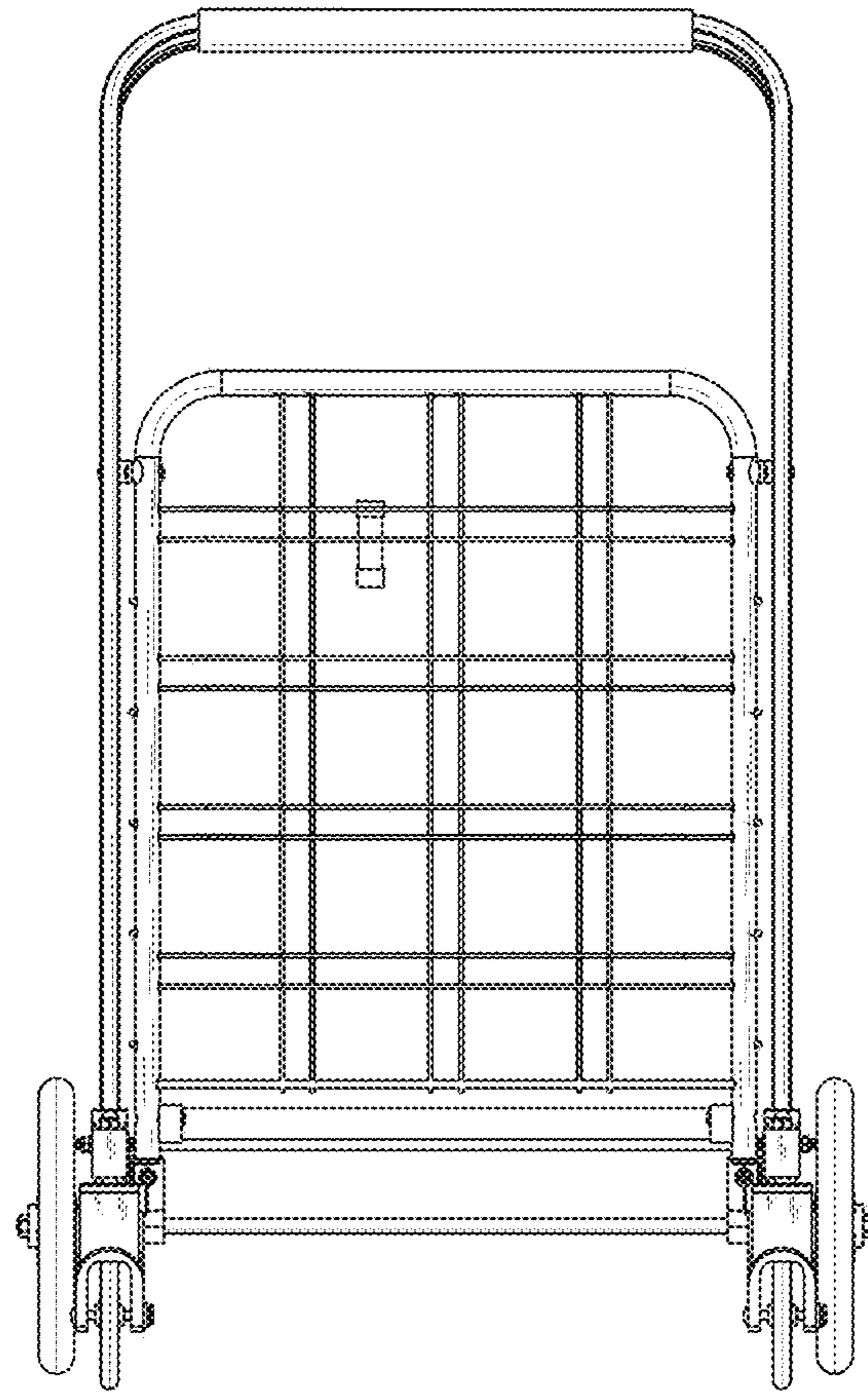


FIG. 2

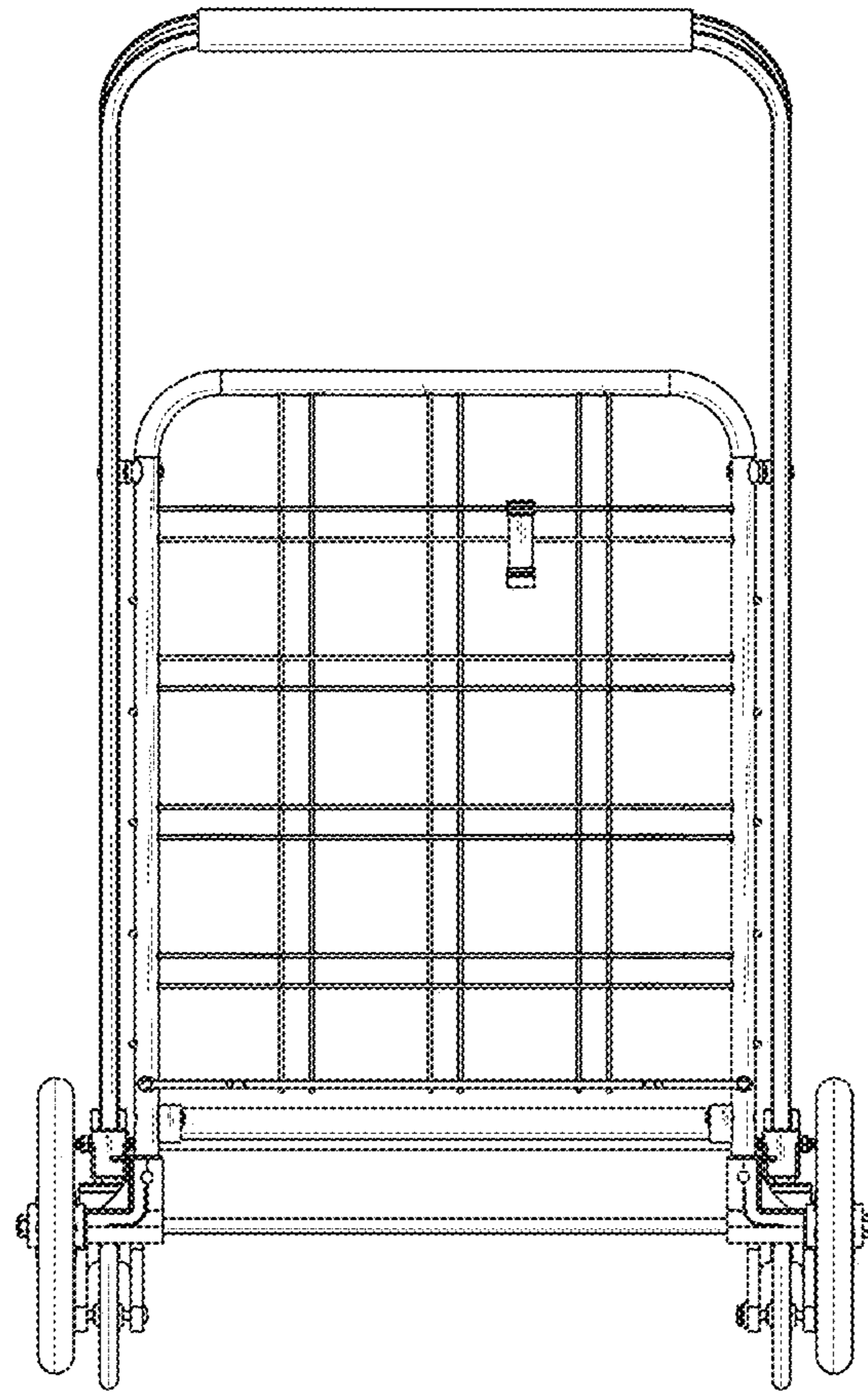


FIG. 3

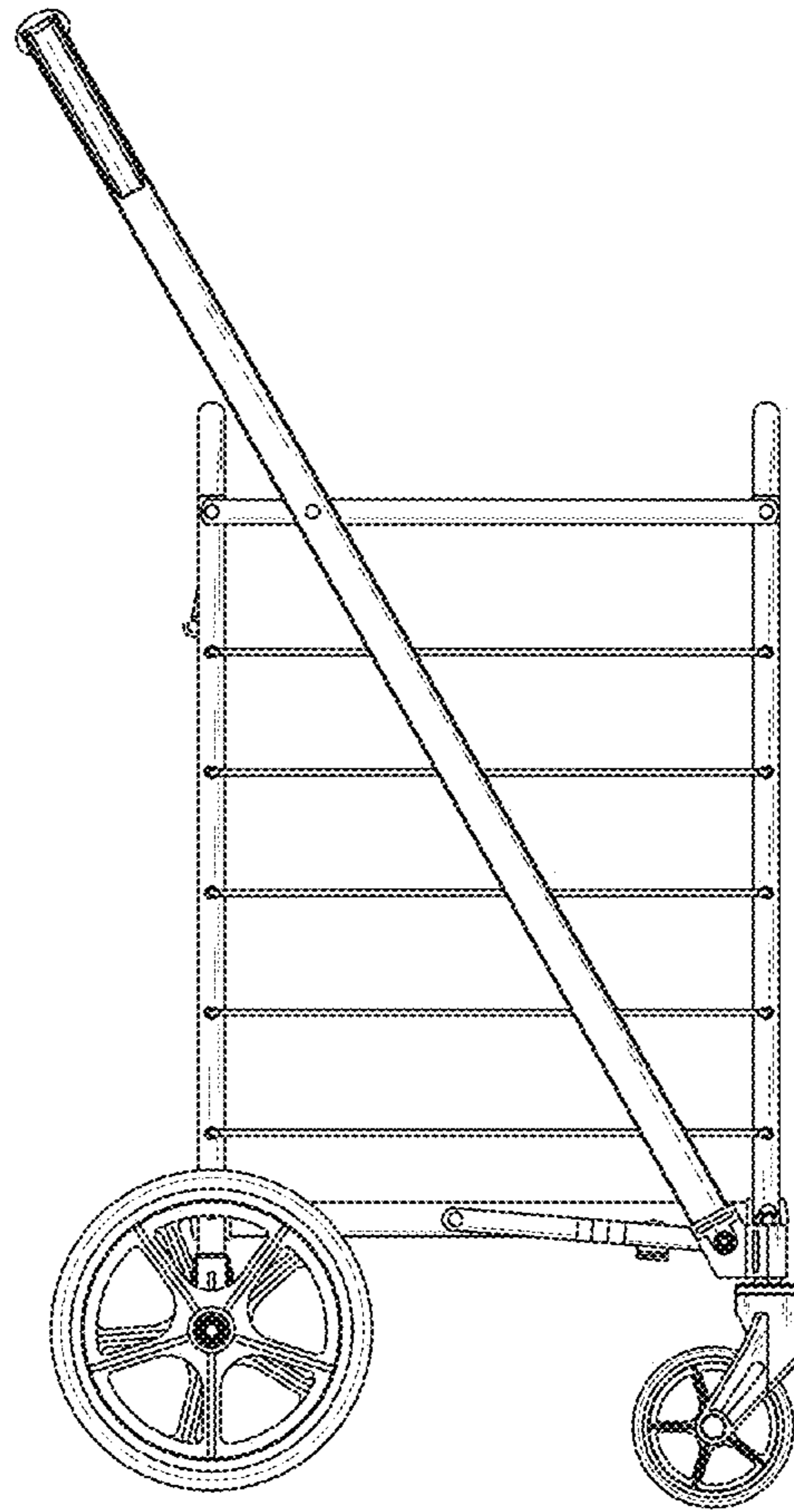


FIG. 4

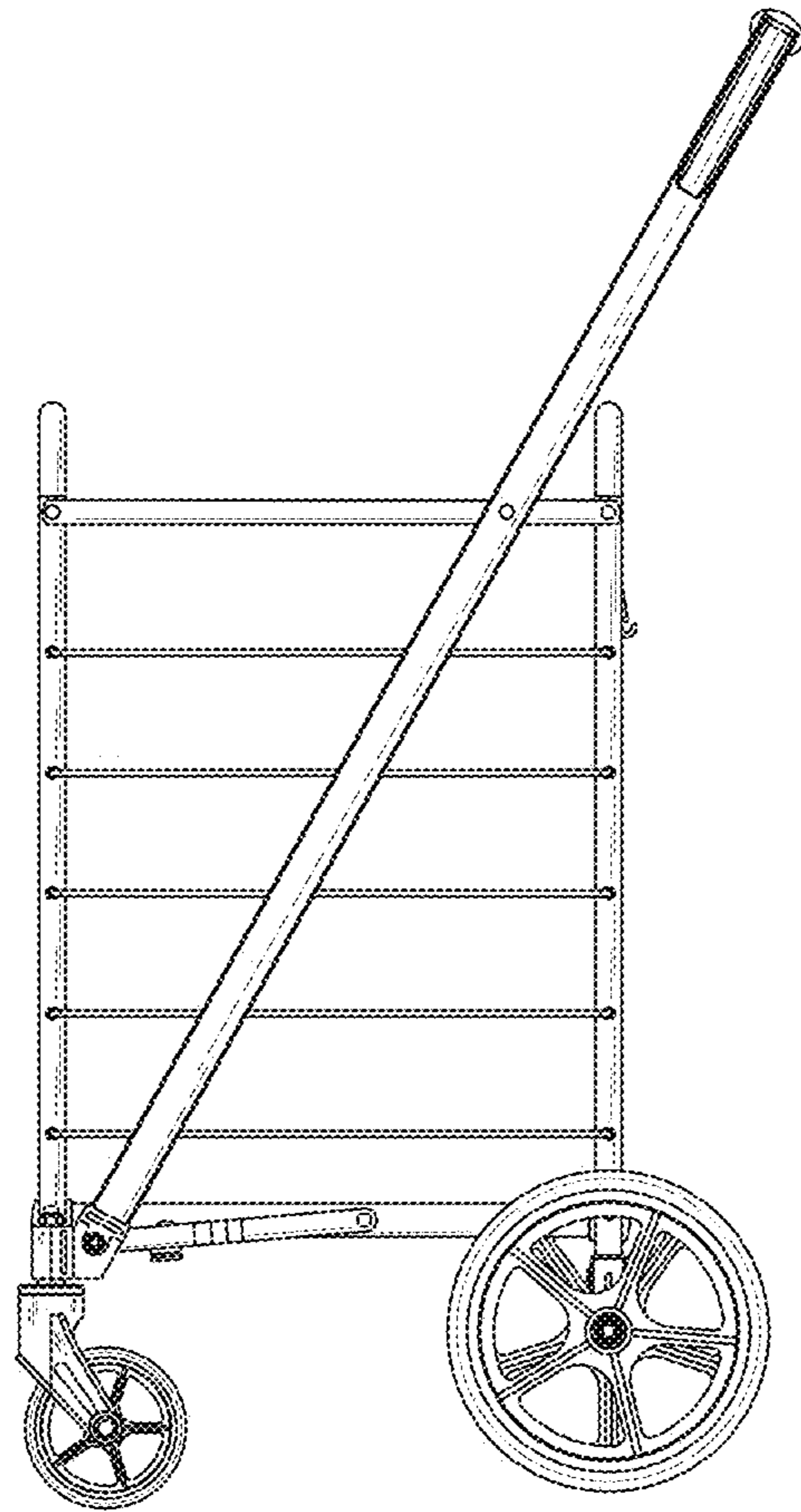


FIG. 5

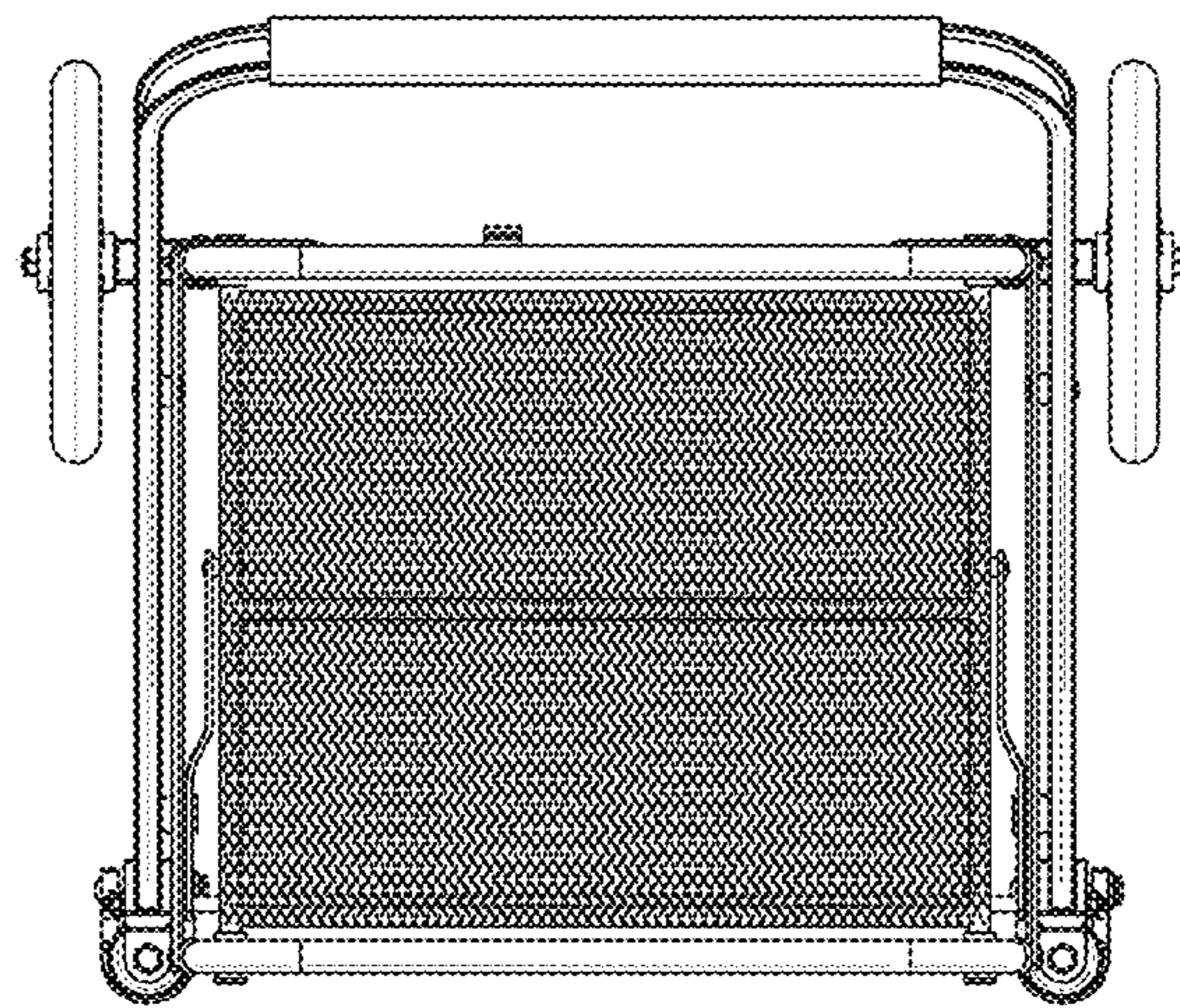


FIG. 6

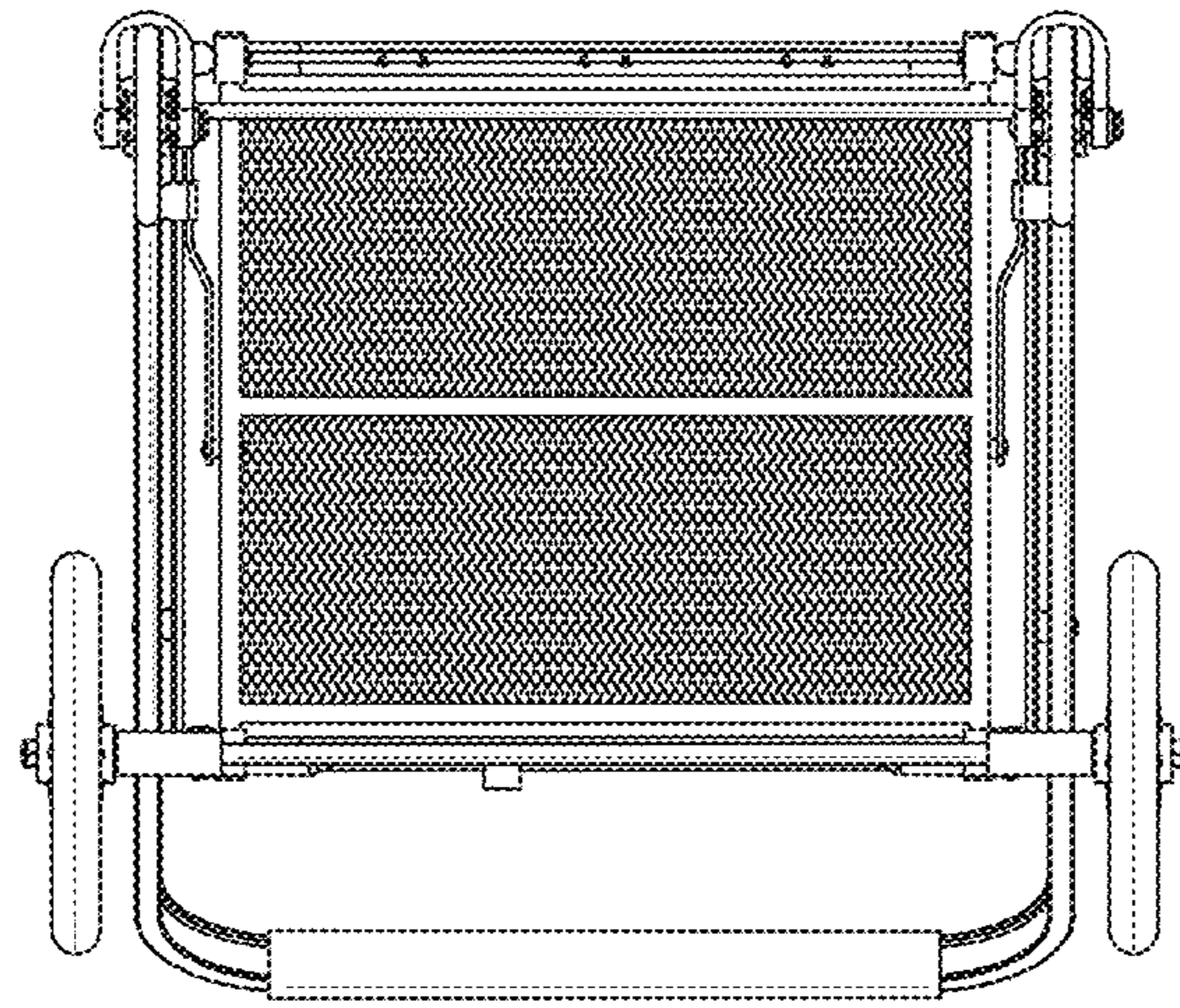


FIG. 7