



US00D930313S

(12) **United States Design Patent**
Edwards

(10) **Patent No.:** **US D930,313 S**
(45) **Date of Patent:** **** Sep. 7, 2021**

- (54) **TROLLEY PLATFORM**
- (71) Applicant: **Optical Support Ltd.**, London (GB)
- (72) Inventor: **Christopher B. Edwards**, London (GB)
- (73) Assignee: **OPTICAL SUPPORT LTD.**, London (GB)
- (**) Term: **15 Years**
- (21) Appl. No.: **29/726,796**
- (22) Filed: **Mar. 5, 2020**

D749,174 S *	2/2016	O Connell	D21/423
D820,548 S *	6/2018	Lee	D34/15
D865,312 S *	10/2019	Beaulieu	D34/15
D887,662 S *	6/2020	Hickey	D34/5
D904,713 S *	12/2020	Yang	D34/12
D907,130 S *	1/2021	Kistemaker	D21/423
D908,808 S *	1/2021	Wang	D21/423

(30) **Foreign Application Priority Data**

Feb. 13, 2020 (EM) 007690573

(51) **LOC (13) Cl.** **12-02**

(52) **U.S. Cl.**
USPC **D34/12; D21/423**

(58) **Field of Classification Search**
USPC D34/12-27; D12/1, 6; D21/423;
D16/242

CPC B62K 3/002; B22K 9/00; B62B 2202/404;
B62B 2202/406; B62B 3/022; B62B 3/02;
B62B 3/12; B62B 3/102

See application file for complete search history.

(56) **References Cited**

U.S. PATENT DOCUMENTS

D226,079 S *	1/1973	Gilford	D12/16
D374,957 S *	10/1996	Keller	D34/15
D694,669 S *	12/2013	Schwenk	D12/16

OTHER PUBLICATIONS

Optical Support ltd, Mar. 9, 2021, jackal rickshaw, <https://opticalsupport.com/jackal/> (Year: 2021).*

* cited by examiner

Primary Examiner — Cynthia Ramirez

(74) *Attorney, Agent, or Firm* — Withrow & Terranova, P.L.L.C.

(57) **CLAIM**

The ornamental design for a trolley platform, as shown and described.

DESCRIPTION

FIG. 1 is a perspective view of the trolley platform showing my new design;

FIG. 2 is a front elevational view of the trolley platform;

FIG. 3 is a rear elevational view of the trolley platform;

FIG. 4 is a right side elevational view of the trolley platform;

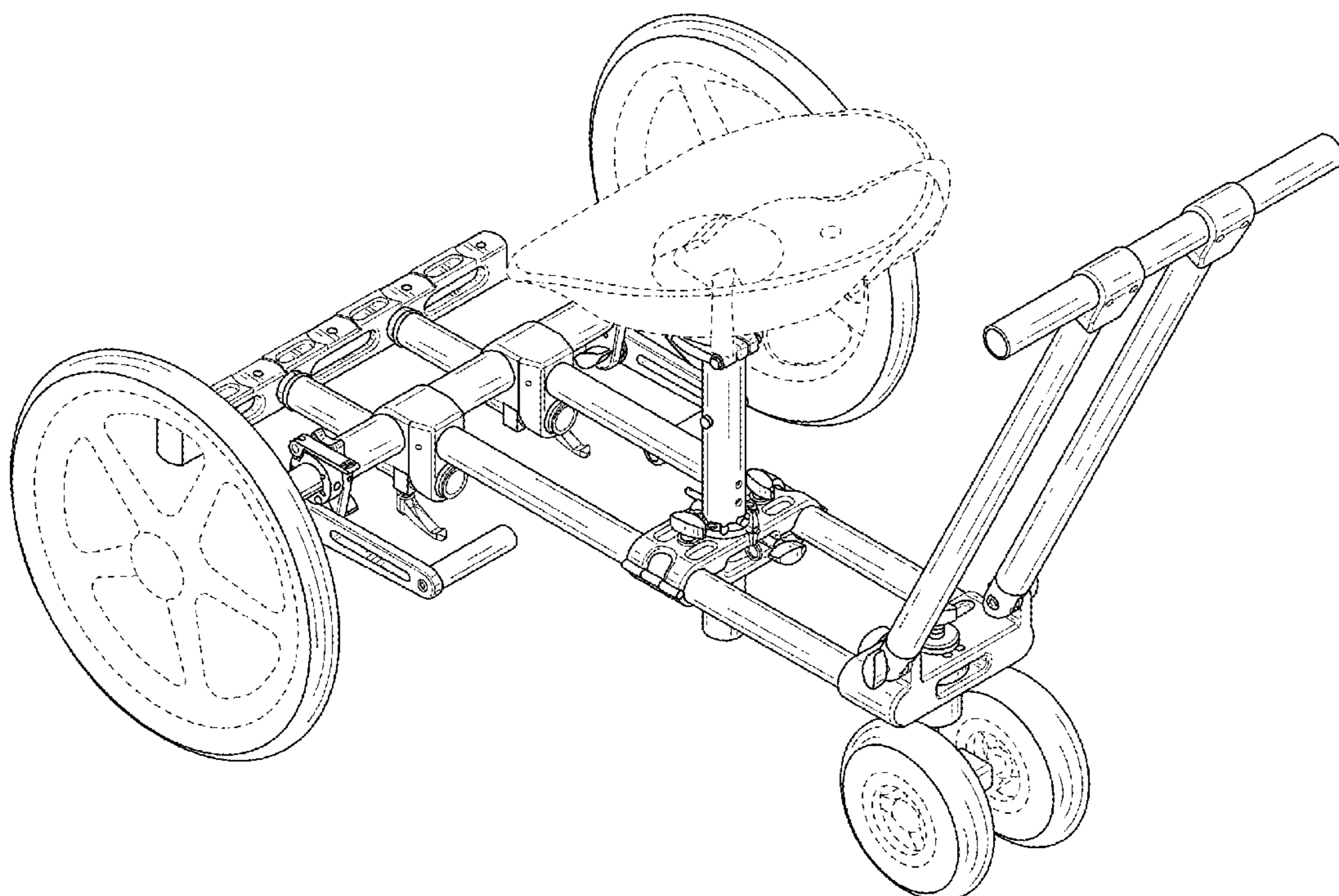
FIG. 5 is a left side elevational view of the trolley platform;

FIG. 6 is a top plan view of the trolley platform; and,

FIG. 7 is a bottom plan view of the trolley platform.

The broken lines in the figures are for the purpose of illustrating portions of the trolley platform that form no part of the claimed design.

1 Claim, 7 Drawing Sheets



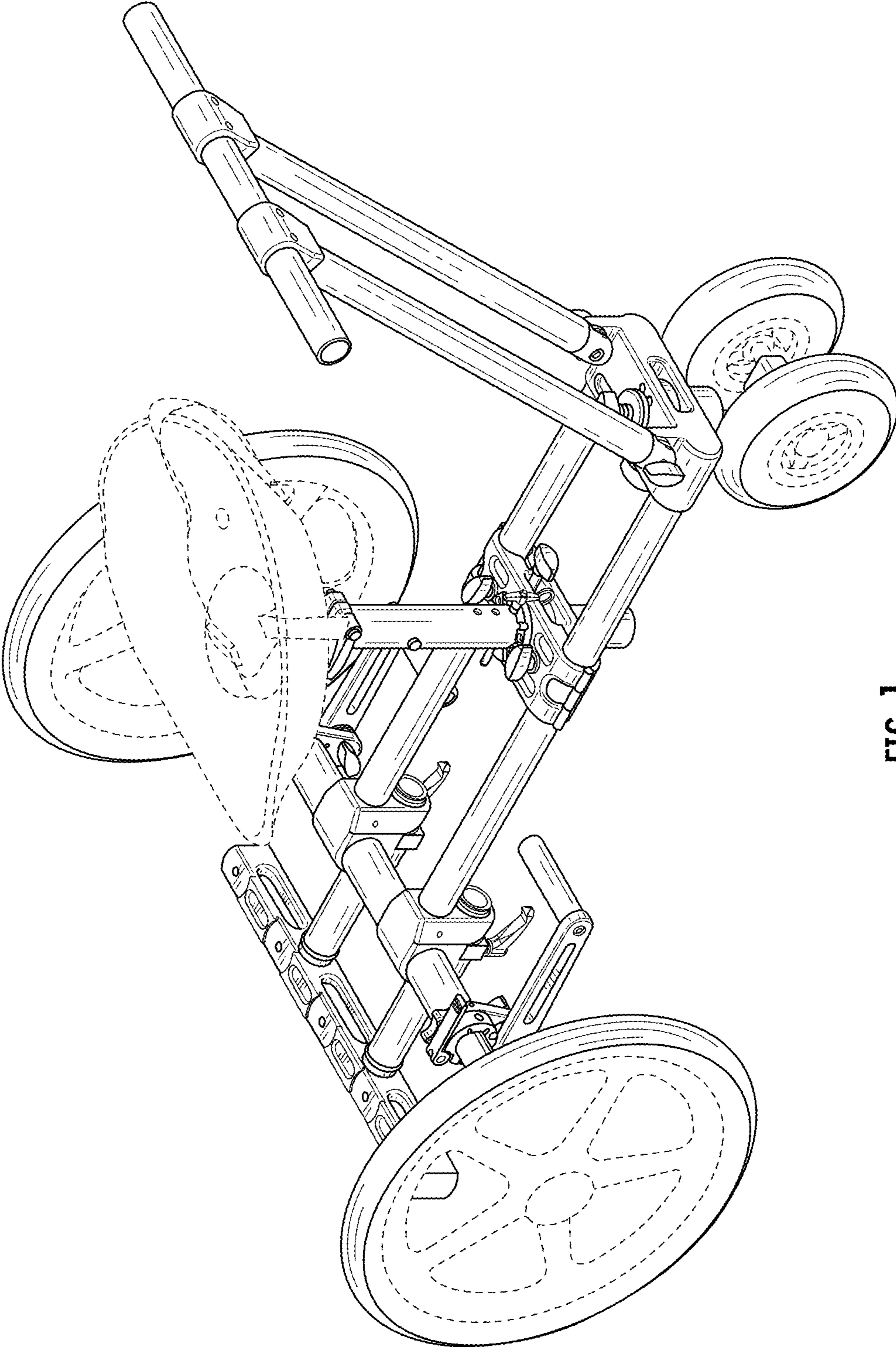


FIG. 1

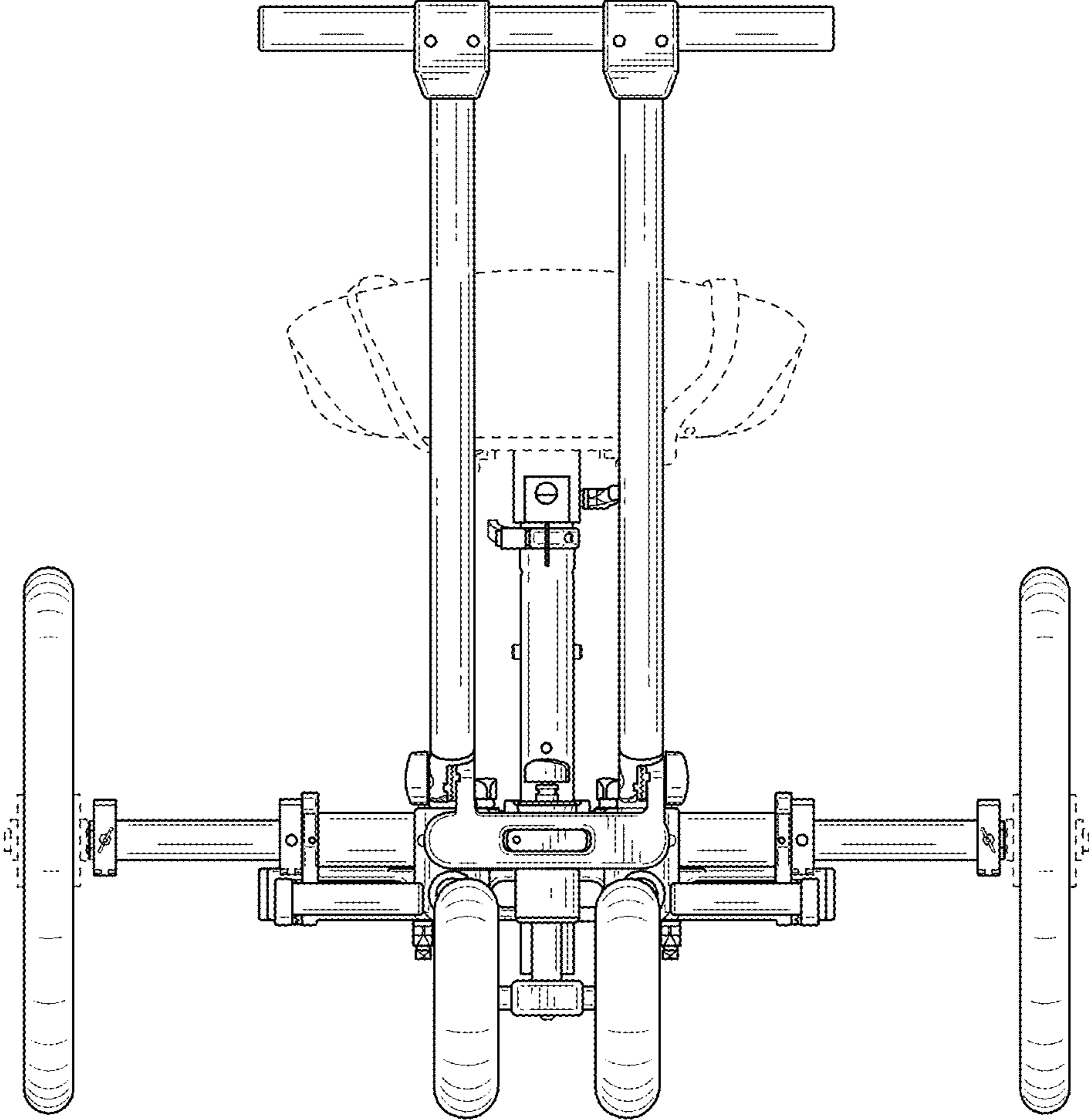


FIG. 2

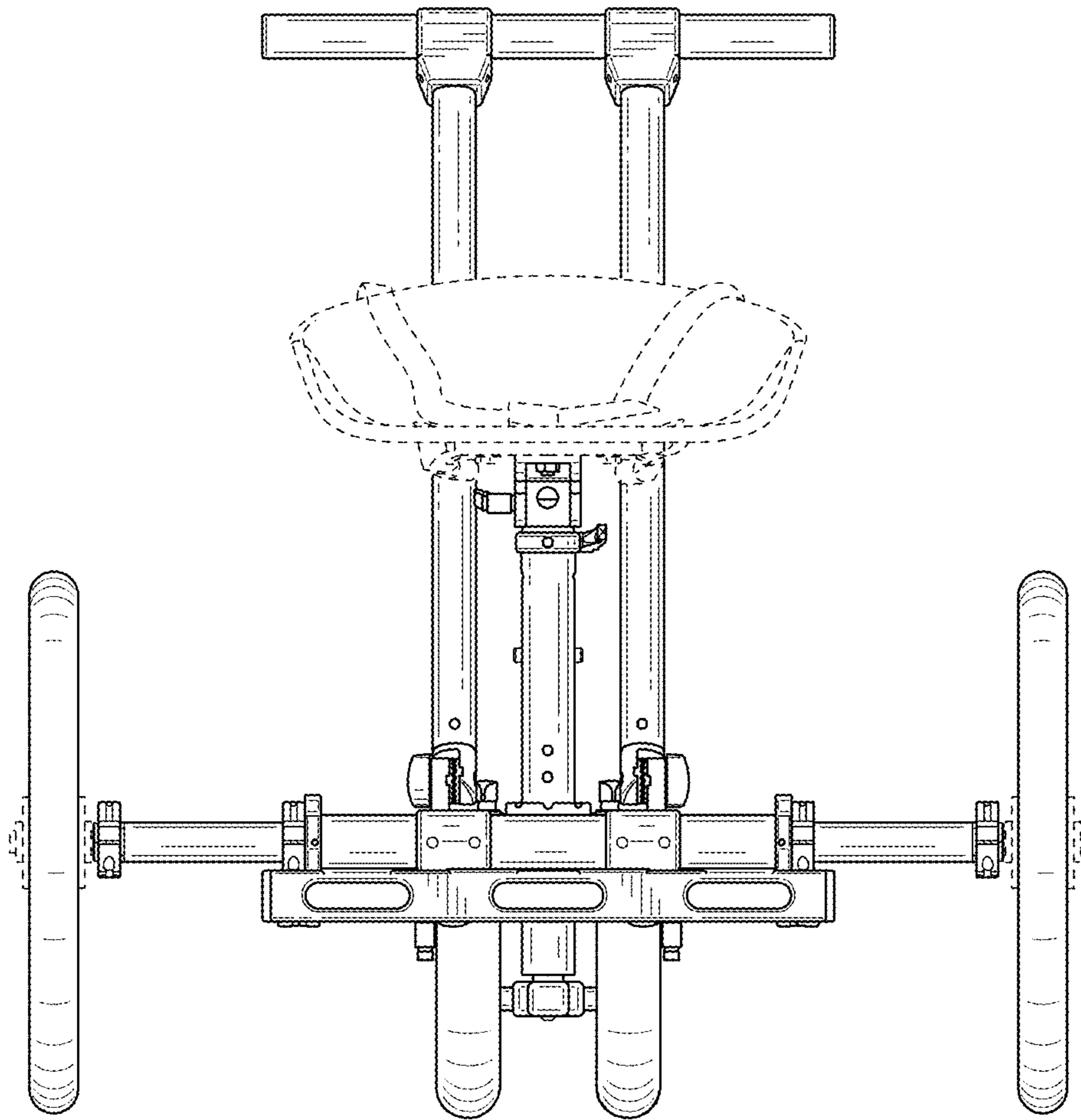


FIG. 3

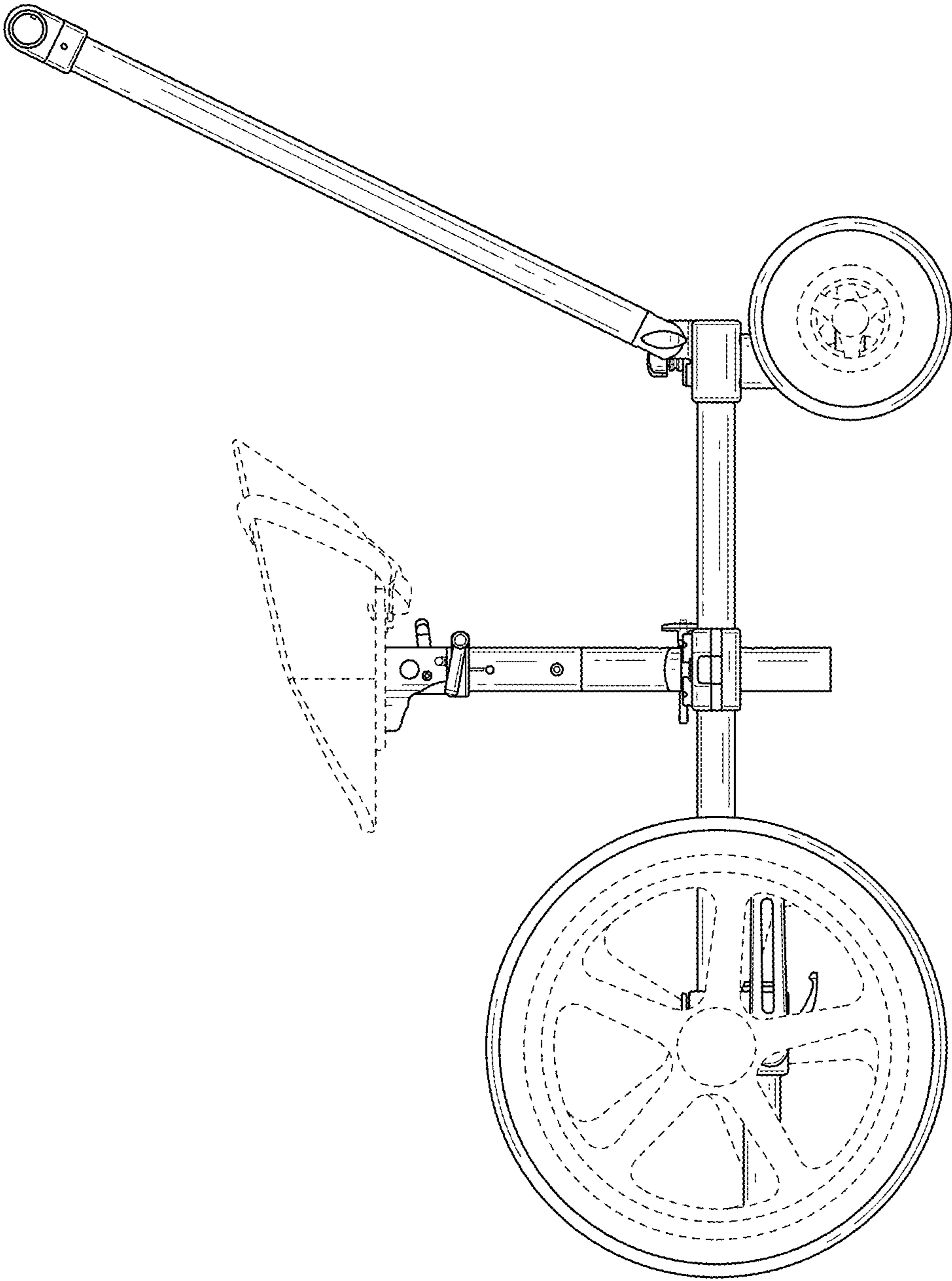


FIG. 4

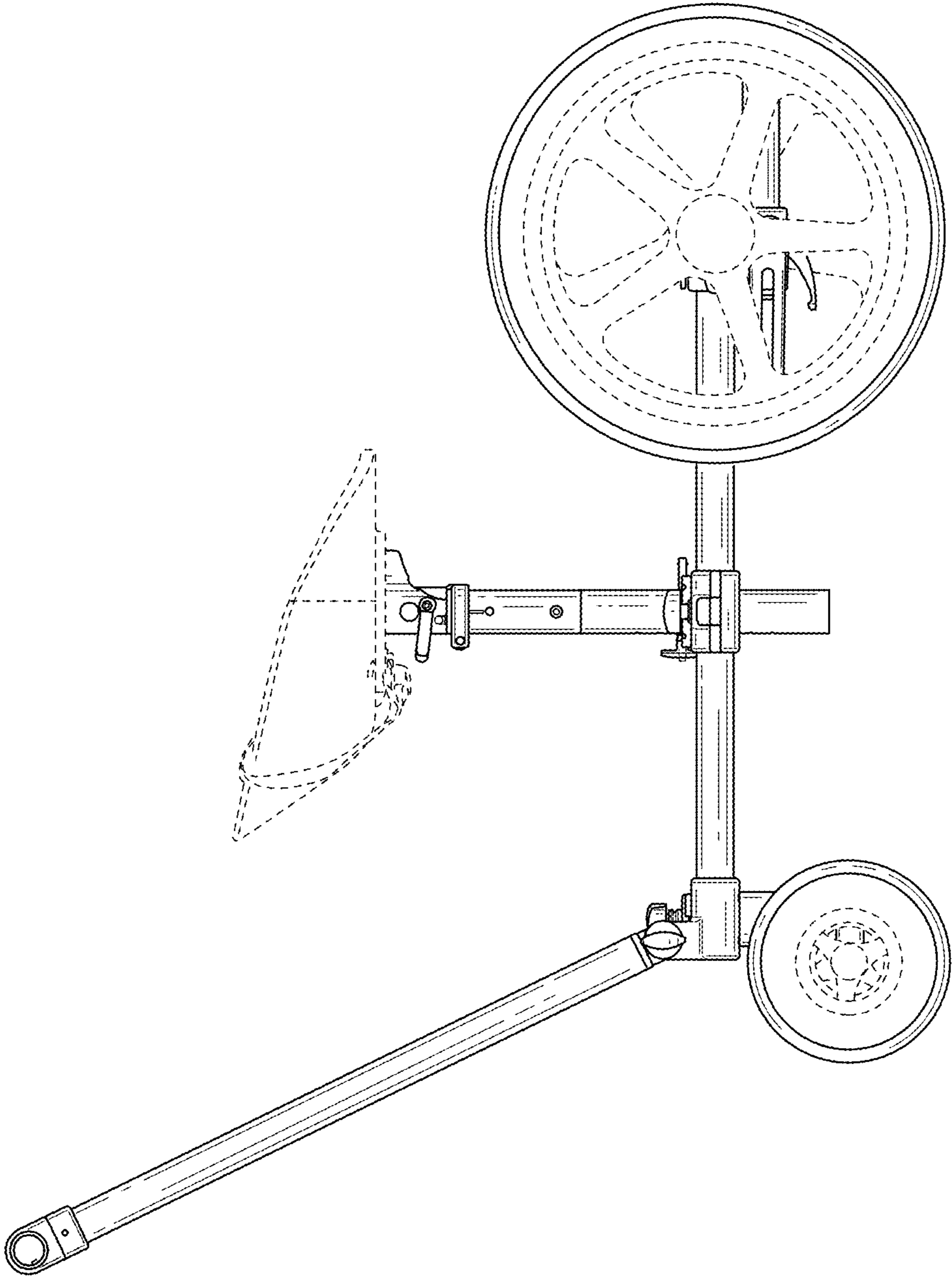


FIG. 5

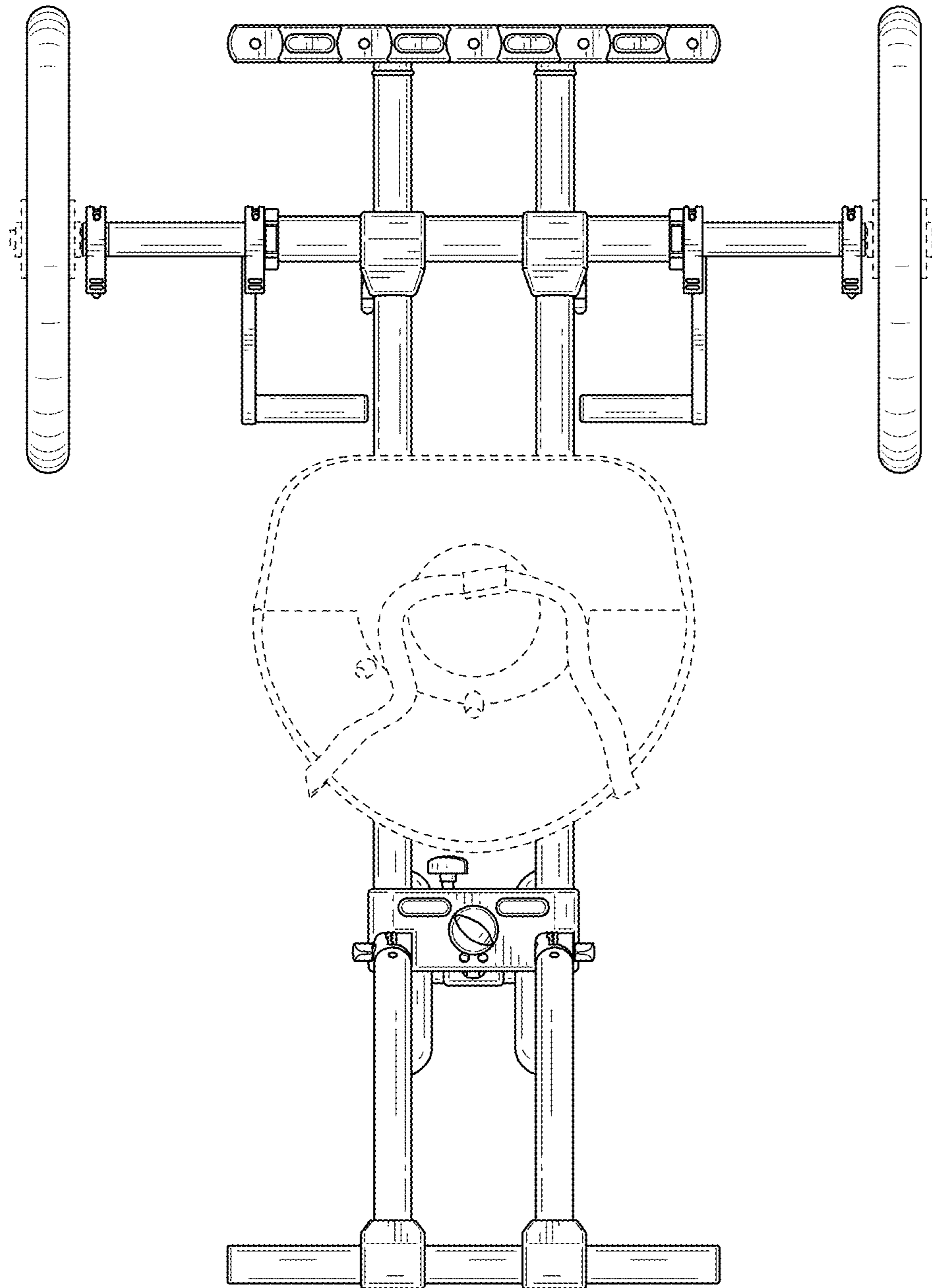


FIG. 6

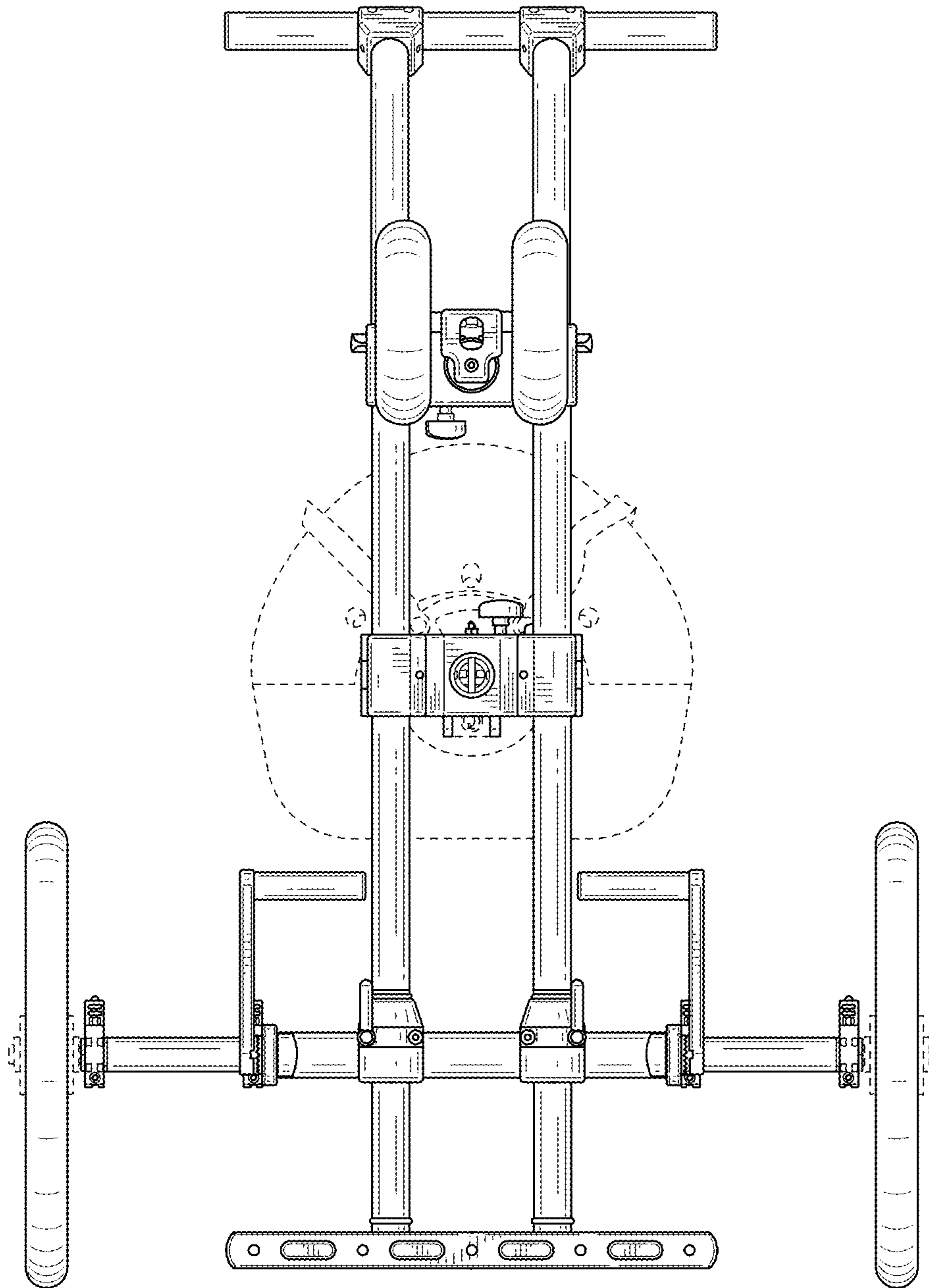


FIG. 7