



US00D930312S

(12) **United States Design Patent** (10) **Patent No.:** **US D930,312 S**  
**Hodge** (45) **Date of Patent:** **\*\* Sep. 7, 2021**

- (54) **LID LOCKING APPARATUS** 4,202,574 A \* 5/1980 Redmayne ..... B65F 1/1615  
16/DIG. 14
- (71) Applicant: **Hodge Products, Inc.**, San Diego, CA 4,694,667 A 9/1987 Hodge  
(US) 5,029,724 A 7/1991 Serio
- (72) Inventor: **Anthony A. Hodge**, Santee, CA (US) 5,104,163 A 4/1992 Palmer, Jr. et al.
- (73) Assignee: **Hodge Products, Inc.**, San Diego, CA 5,224,743 A 7/1993 Dawdy et al.  
(US) 5,683,126 A 11/1997 De Vivo et al.
- (\*\*) Term: **15 Years** 6,733,053 B2 5/2004 Hodge et al.
- (21) Appl. No.: **29/717,003** D502,387 S \* 3/2005 Hyakkoku ..... D8/354
- (22) Filed: **Dec. 13, 2019** 7,597,365 B2 10/2009 Kreitzer  
7,810,854 B2 10/2010 Hodge et al.
- D634,912 S \* 3/2011 Pouliot ..... D34/11
- 8,136,852 B1 3/2012 Thomas
- D658,485 S \* 5/2012 Wall ..... D8/354
- D664,029 S \* 7/2012 Mathur ..... D8/394
- 8,313,126 B2 11/2012 Ferkovich et al.

(Continued)

**Related U.S. Application Data**

- (63) Continuation of application No. 15/678,949, filed on Aug. 16, 2017, now abandoned.
- (51) **LOC (13) Cl.** ..... **09-09**
- (52) **U.S. Cl.**  
USPC ..... **D34/10; D8/330**
- (58) **Field of Classification Search**  
USPC .... D34/10, 11; D8/349, 380, 381, 382, 354,  
D8/355; D9/435  
CPC .. B65F 1/1607; B65F 2001/1653; B65F 1/06;  
B65F 1/1615; E05B 65/006  
See application file for complete search history.

**References Cited**

**U.S. PATENT DOCUMENTS**

- 334,840 A 1/1886 Barnard
- 351,252 A 10/1886 Dare
- 353,088 A 11/1886 Shopman
- 550,546 A 11/1895 Clinton
- 739,640 A 9/1903 Beehler
- 878,047 A 2/1908 Darracott
- 2,198,079 A 4/1940 Ferris et al.
- 2,517,185 A 8/1950 Elmer
- 4,198,083 A 4/1980 Fessler

*Primary Examiner* — Cynthia Ramirez

(74) *Attorney, Agent, or Firm* — Procopio, Cory, Hargreaves & Savitch LLP

(57) **CLAIM**

The ornamental design for a lid locking apparatus, as shown and described.

**DESCRIPTION**

FIG. 1 is a perspective view of the lid locking apparatus shown in an open position.

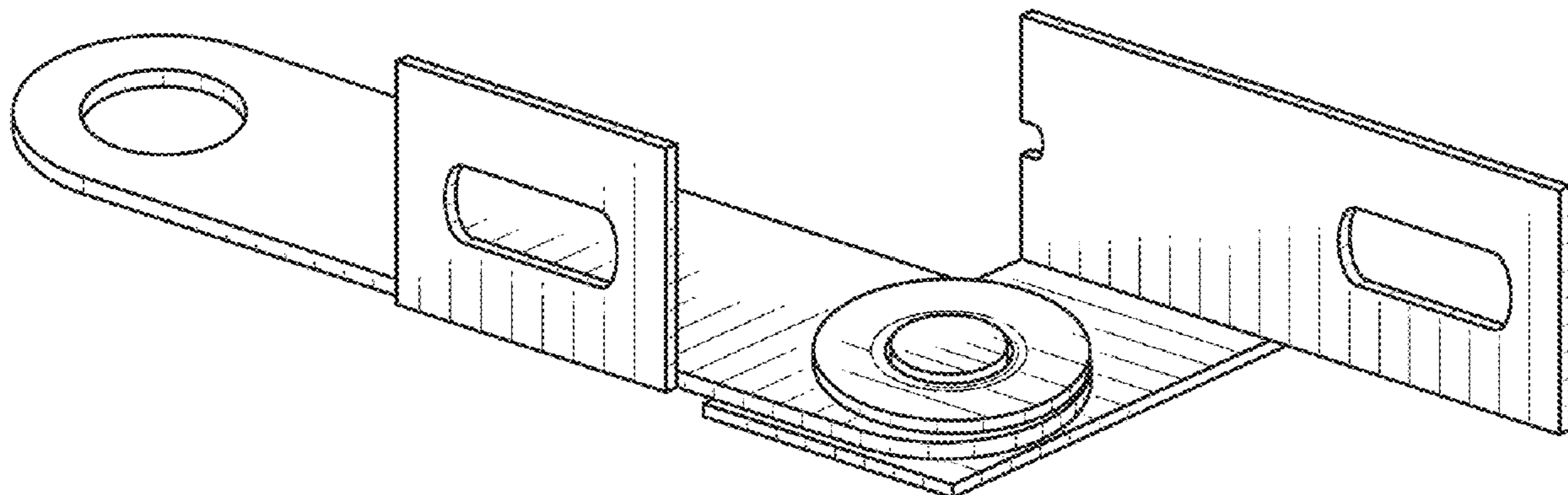
FIG. 2 is another perspective view of the lid locking apparatus shown in an open position and is shown with a chain and padlock attached.

FIG. 3 is a further perspective view of the lid locking apparatus and is shown in almost closed position with a chain and padlock attached; and,

FIG. 4 is a still further view of the lid locking apparatus and is shown in a closed position with a chain and padlock attached.

The broken lines showing a chain and lock in FIGS. 2, 3 and 4 show environment and form no part of the claimed design.

**1 Claim, 2 Drawing Sheets**



(56)

**References Cited**

U.S. PATENT DOCUMENTS

8,935,944	B2	1/2015	Boesel et al.	
9,580,243	B2	2/2017	Reeb	
D782,302	S *	3/2017	Voncina .....	D9/435
D878,184	S *	3/2020	Holloway .....	D8/354
D880,095	S *	3/2020	Hodge .....	D34/10
D884,302	S *	5/2020	Azzaro .....	D34/10
2014/0208813	A1 *	7/2014	Reeb .....	B65F 1/1646
				70/277
2014/0306465	A1 *	10/2014	Kreitzer .....	B65F 1/1615
				292/305
2019/0055085	A1 *	2/2019	Hodge .....	E05B 67/383
2019/0055086	A1 *	2/2019	Hodge .....	B65F 1/1615
2019/0185264	A1 *	6/2019	Azzaro .....	B65F 1/1615
2019/0382201	A1 *	12/2019	Hodge .....	B65F 1/1615
2020/0079586	A1 *	3/2020	Asmis .....	E05B 73/00
2020/0115156	A1 *	4/2020	Hodge .....	B65F 1/1615

\* cited by examiner

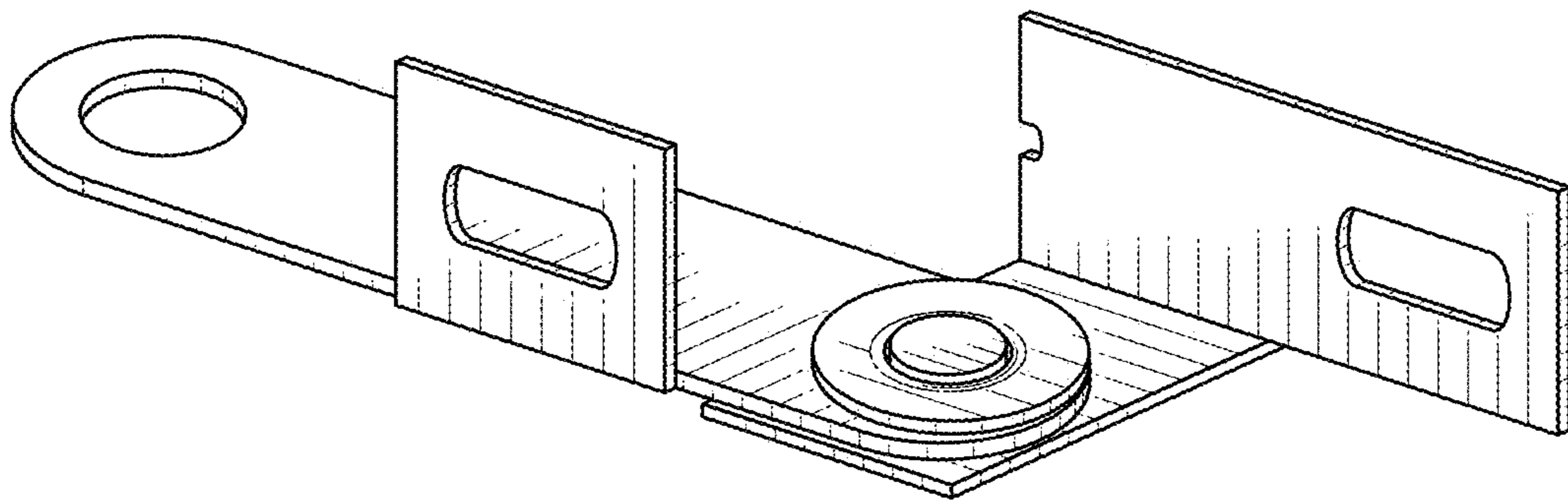


FIG. 1

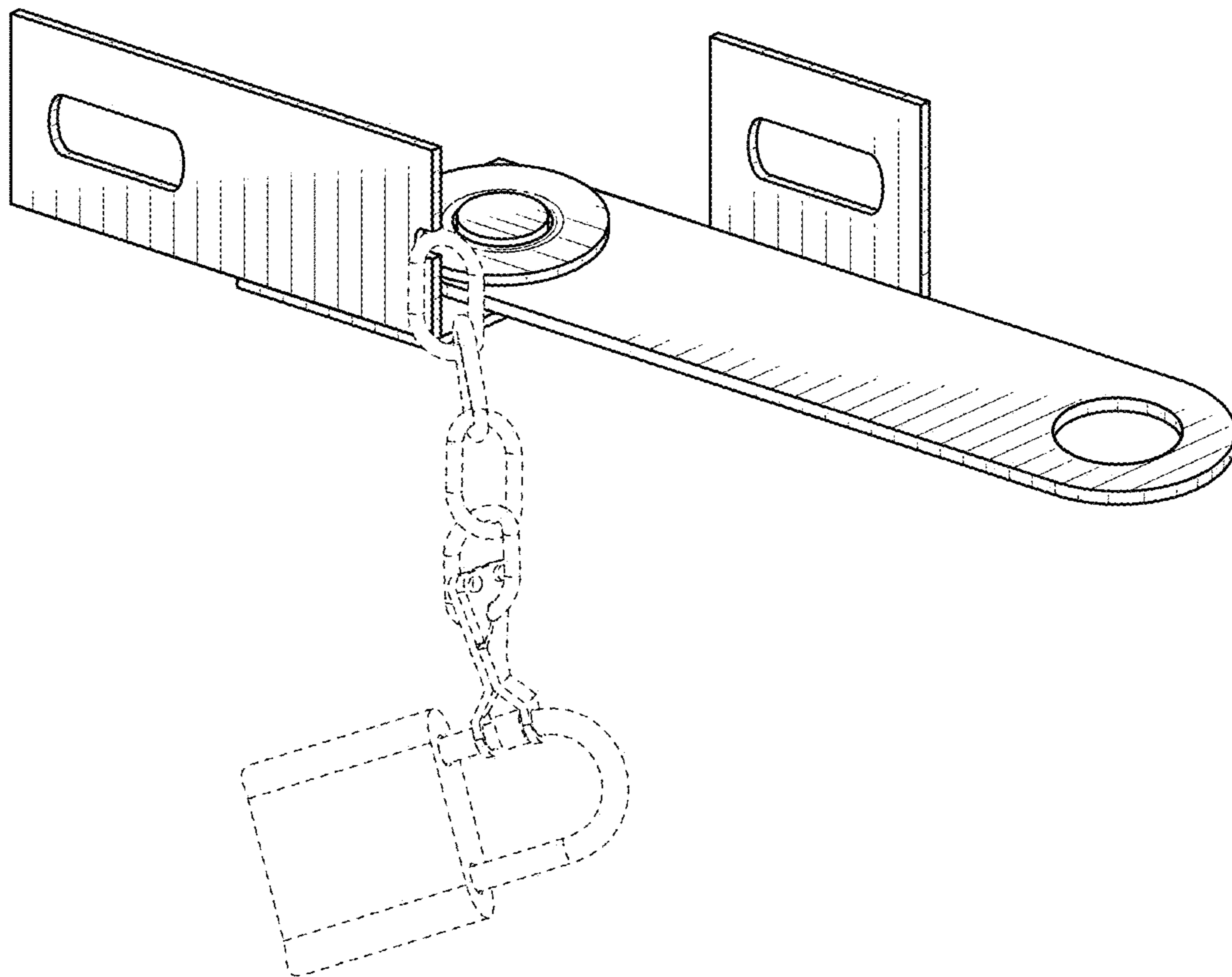


FIG. 2

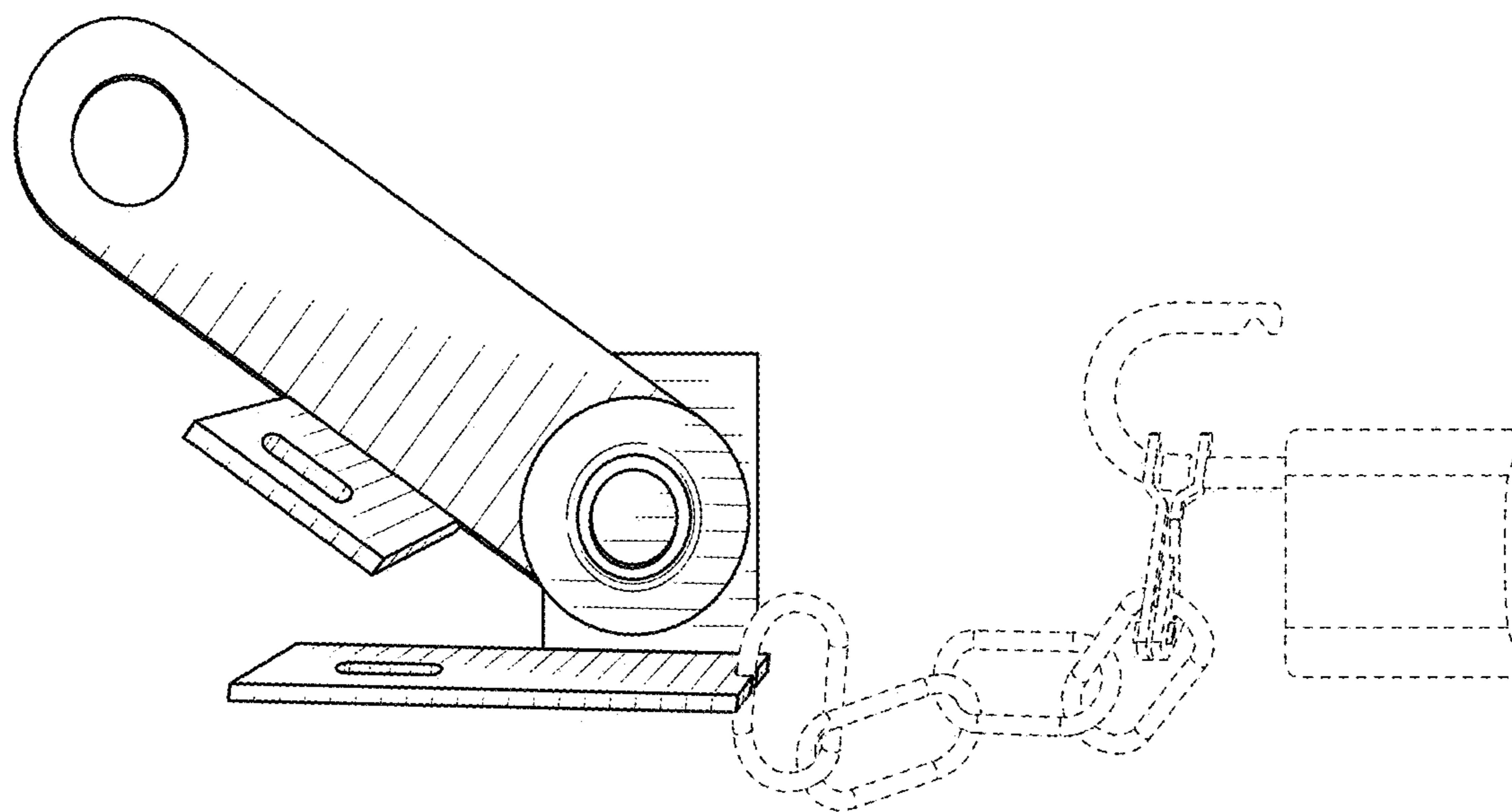


FIG. 3

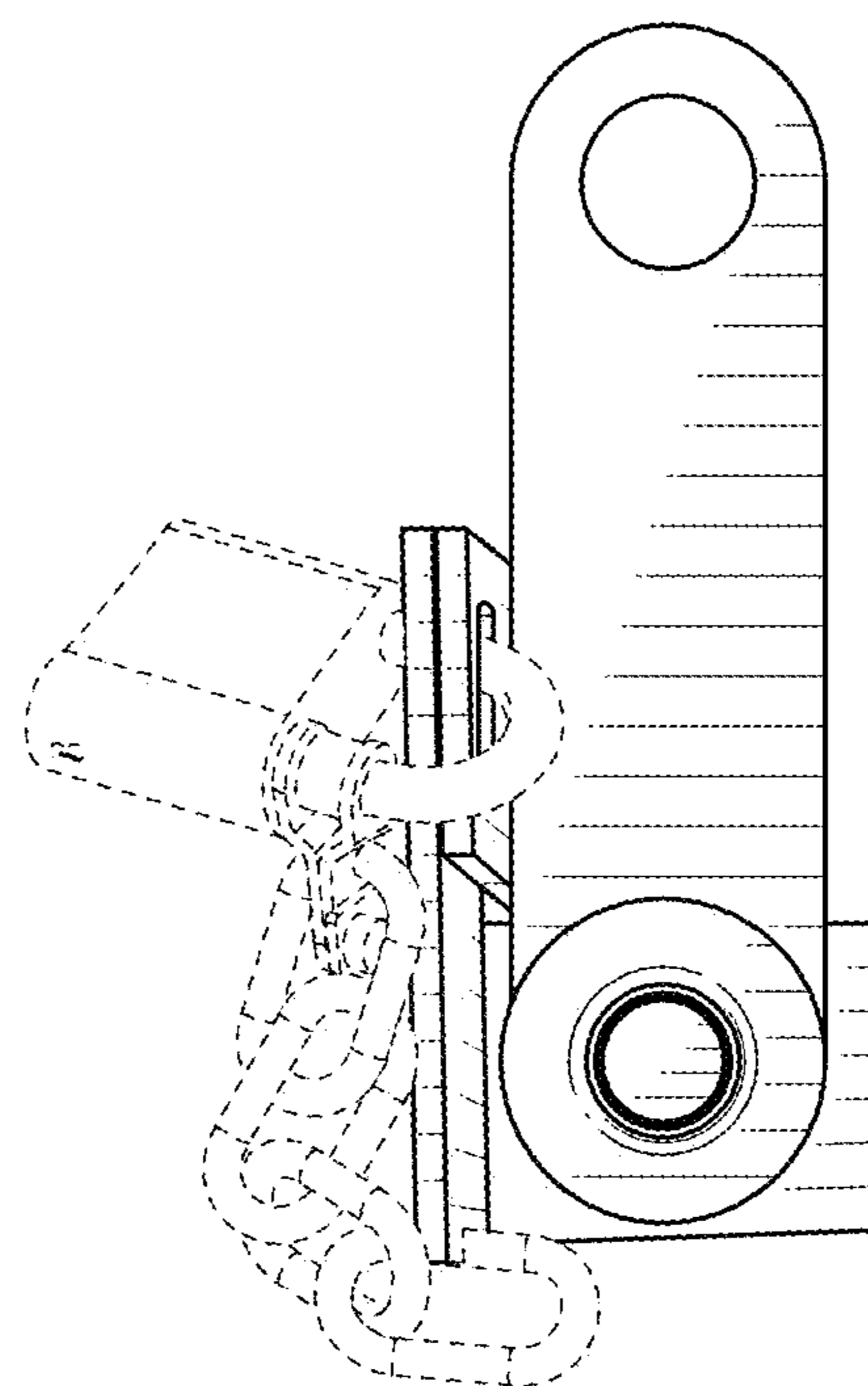


FIG. 4