



US00D930310S

(12) **United States Design Patent** (10) **Patent No.:** **US D930,310 S**  
**Aguiar et al.** (45) **Date of Patent:** **\*\* Sep. 7, 2021**

(54) **BROOM HEAD**

(71) Applicant: **The Libman Company**, Arcola, IL (US)

(72) Inventors: **Carlos Aguiar**, Arcola, IL (US);  
**Fernando de Jesus Santos**, Arcola, IL (US); **Andrew D. Libman**, Arcola, IL (US); **Aaron Libman**, Arcola, IL (US);  
**Jon Franklin**, Arcola, IL (US)

1,983,923 A 12/1934 Stevens  
2,290,178 A 7/1942 Hayford  
2,390,705 A 12/1945 Haase  
2,922,179 A 1/1960 Lundgren  
3,084,369 A 4/1963 Hawkins  
D270,971 S 10/1983 Stevens et al.  
D287,173 S \* 12/1986 Libman ..... D32/45  
4,785,489 A 11/1988 Von Doehren  
D307,517 S \* 5/1990 Mallory ..... D32/41  
D307,981 S 5/1990 Saunders  
D320,878 S \* 10/1991 Linder ..... D32/50  
(Continued)

(73) Assignee: **The Libman Company**, Arcola, IL (US)

(\*\*) Term: **15 Years**

(21) Appl. No.: **35/001,645**

(22) Filed: **Feb. 19, 2019**

(80) **Hague Agreement Data**

Int. Filing Date: **Feb. 19, 2019**  
Int. Reg. No.: **DM/208156**  
Int. Reg. Date: **Feb. 19, 2019**  
Int. Reg. Pub. Date: **May 22, 2020**

(51) **LOC (13) Cl.** ..... **07-05**

(52) **U.S. Cl.**  
USPC ..... **D32/52**

(58) **Field of Classification Search**  
USPC ..... D32/40, 41, 46, 49-52; D4/118, 132  
CPC ..... A46B 2200/302; A46B 2200/308; A46B 15/0055; A46B 15/0081; A46B 17/08; A47L 13/20; A47L 13/12  
See application file for complete search history.

(56) **References Cited**

**U.S. PATENT DOCUMENTS**

94,728 A 9/1869 Elliot  
472,486 A 4/1892 Rowe  
729,338 A 5/1903 Hawkins  
1,785,564 A 12/1930 Schweigert  
1,872,534 A 8/1932 Wallin

**OTHER PUBLICATIONS**

Libman 24\_ Rough Surface Push Broom , as archived by the wayback machine on Apr. 4, 2020, [online], [site visited Apr. 23, 2021]. Retrieved from url:https://web.archive.org/web/20200404172424/https://libman.com/products/24-rough-surface-push-broom (Year: 2020).\*

*Primary Examiner* — Michelle E. Wilson  
*Assistant Examiner* — Tracey J Bell

(74) *Attorney, Agent, or Firm* — Banner & Witcoff, Ltd.

(57) **CLAIM**

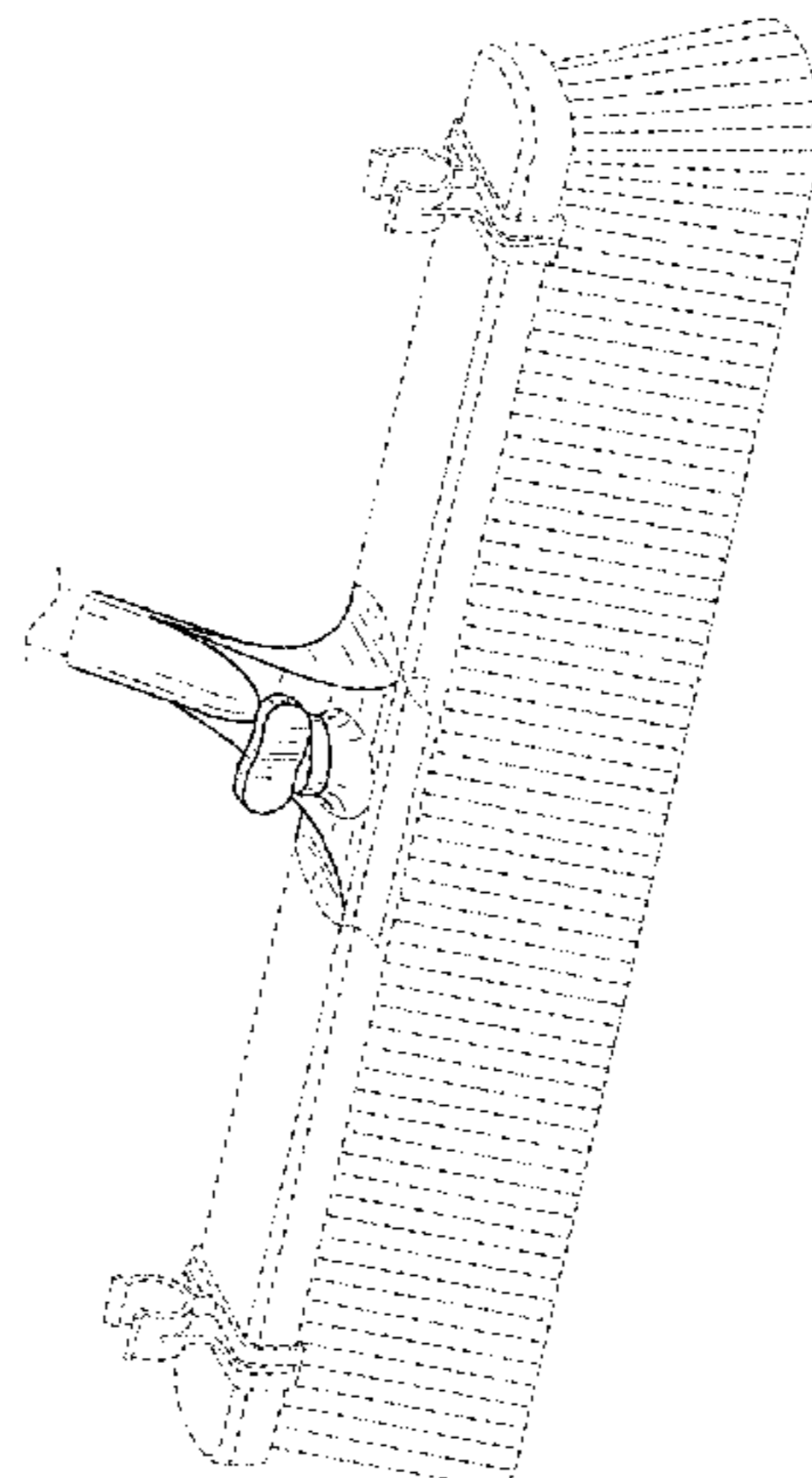
The ornamental design for a broom head, as shown and described.

**DESCRIPTION**

- 1. Broom head
- 1.1 : Perspective
- 1.2 : Front
- 1.3 : Back
- 1.4 : Right
- 1.5 : Left
- 1.6 : Top
- 1.7 : Bottom

The broken lines immediately adjacent to the shaded area define boundaries of the claimed design and form no part thereof; the broken lines showing the remainder of the broom represent unclaimed subject matter and form no part of the claimed design.

**1 Claim, 7 Drawing Sheets**



(56)

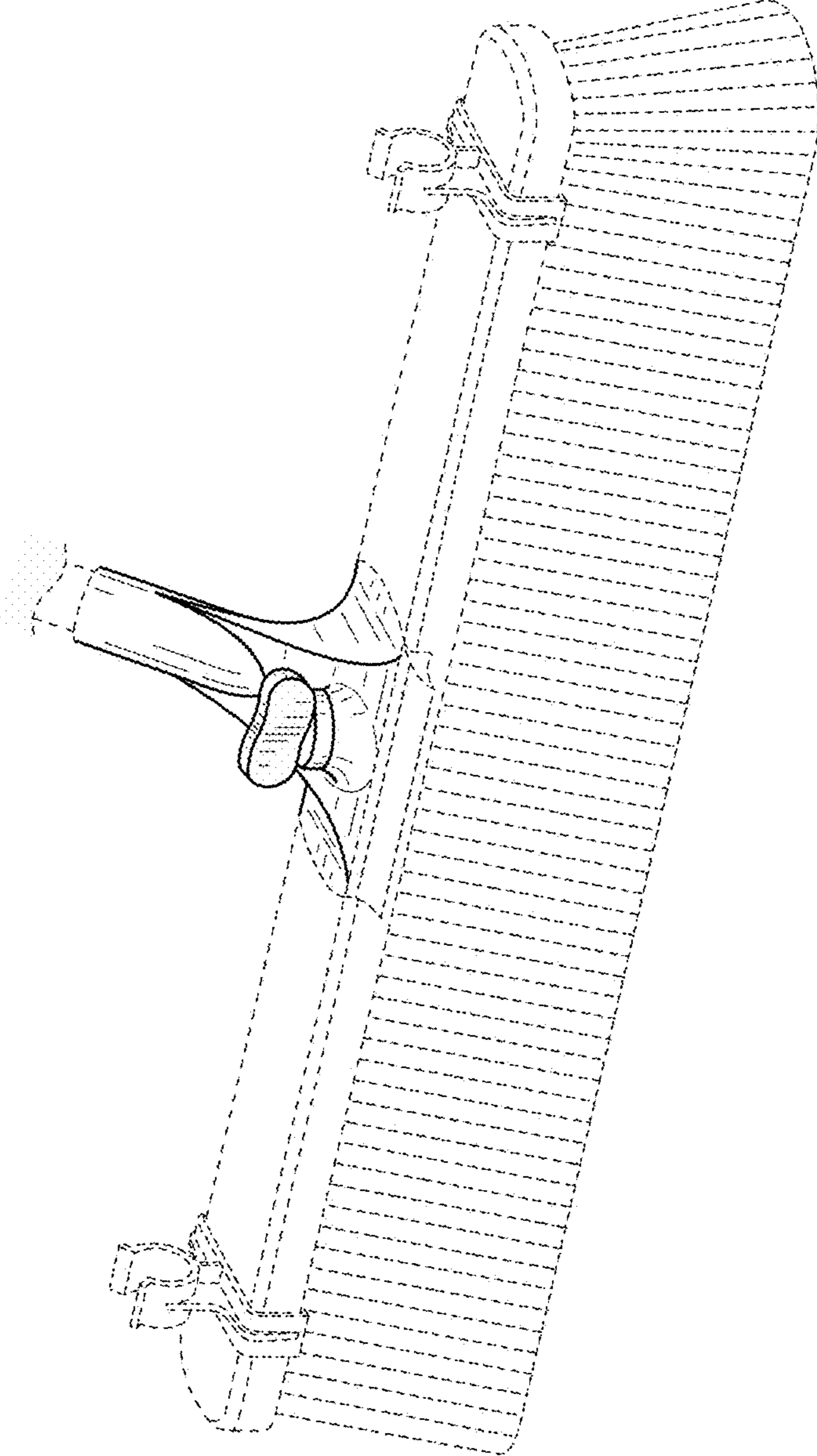
References Cited

U.S. PATENT DOCUMENTS

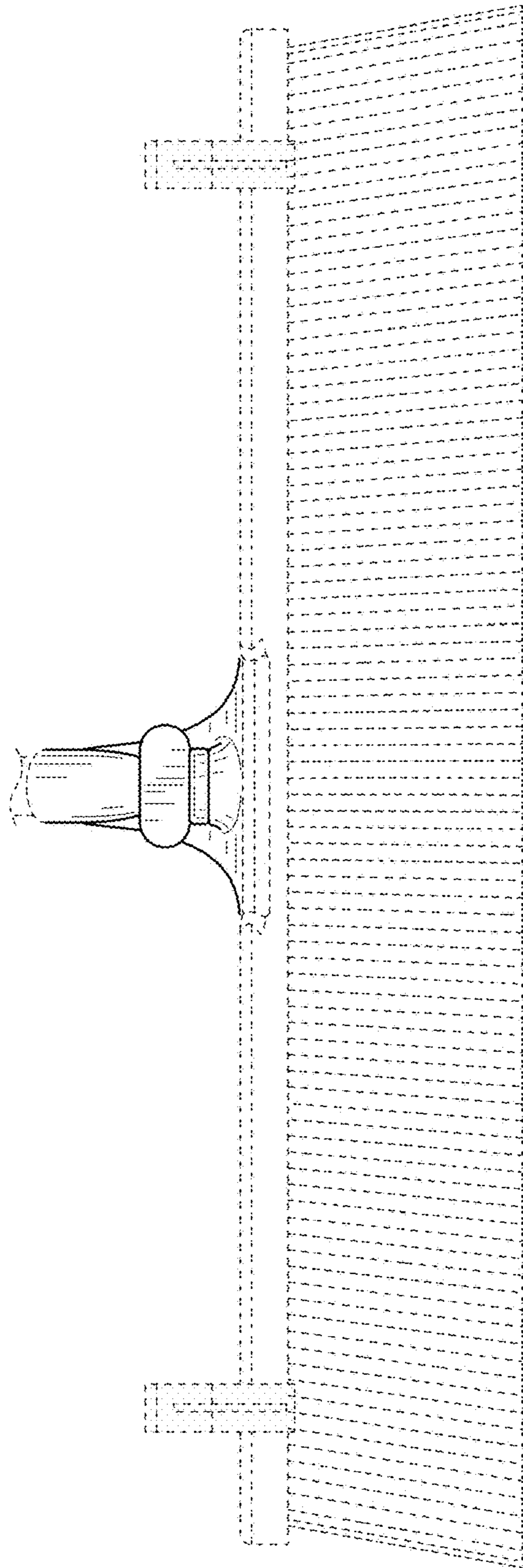
5,123,138	A	6/1992	Flamm		
5,161,772	A	11/1992	DiResta et al.		
D353,919	S	12/1994	Sajko		
D364,741	S	12/1995	Reuter, III		
D375,409	S	11/1996	Uranga et al.		
D382,117	S	8/1997	Uranga et al.		
D383,268	S	9/1997	Uranga et al.		
D423,158	S *	4/2000	La Liberty	.....	D32/50
6,349,444	B1	2/2002	Sander		
6,393,647	B1 *	5/2002	Libman	.....	A46B 5/0095 15/145
6,594,850	B2 *	7/2003	Libman	.....	A46B 5/0095 15/145
6,606,756	B2	8/2003	Fernandez		
D487,973	S *	4/2004	Vosbikian	.....	D32/50
D545,063	S	6/2007	Sander		
7,717,524	B2	5/2010	Weaver		
7,721,380	B2	5/2010	Libman et al.		
7,819,487	B2	10/2010	Weaver		
D656,735	S	4/2012	Zupan		
D661,040	S *	5/2012	Pellacini	.....	D32/50
D679,911	S	4/2013	Dobson, III		
D694,973	S *	12/2013	Libman	.....	D32/40
D704,405	S *	5/2014	Libman	.....	D32/50
D714,006	S	9/2014	Sanchez		
D720,106	S *	12/2014	Zemel	.....	D32/40
D774,267	S	12/2016	Dobson, III		
D782,203	S	3/2017	Fortier et al.		
D796,139	S	8/2017	Fortier et al.		
D804,123	S *	11/2017	Orsino	.....	D32/51
10,136,788	B2	11/2018	O'Connell et al.		
D897,620	S *	9/2020	Libman	.....	D32/50
D897,690	S *	10/2020	Carriere	.....	D4/135
2003/0180085	A1	9/2003	Hughes		
2013/0031736	A1	2/2013	Martin		
2016/0088994	A1	3/2016	Brown		
2018/0042374	A1	2/2018	Nudelman		
2018/0317735	A1	11/2018	Dobson, III et al.		

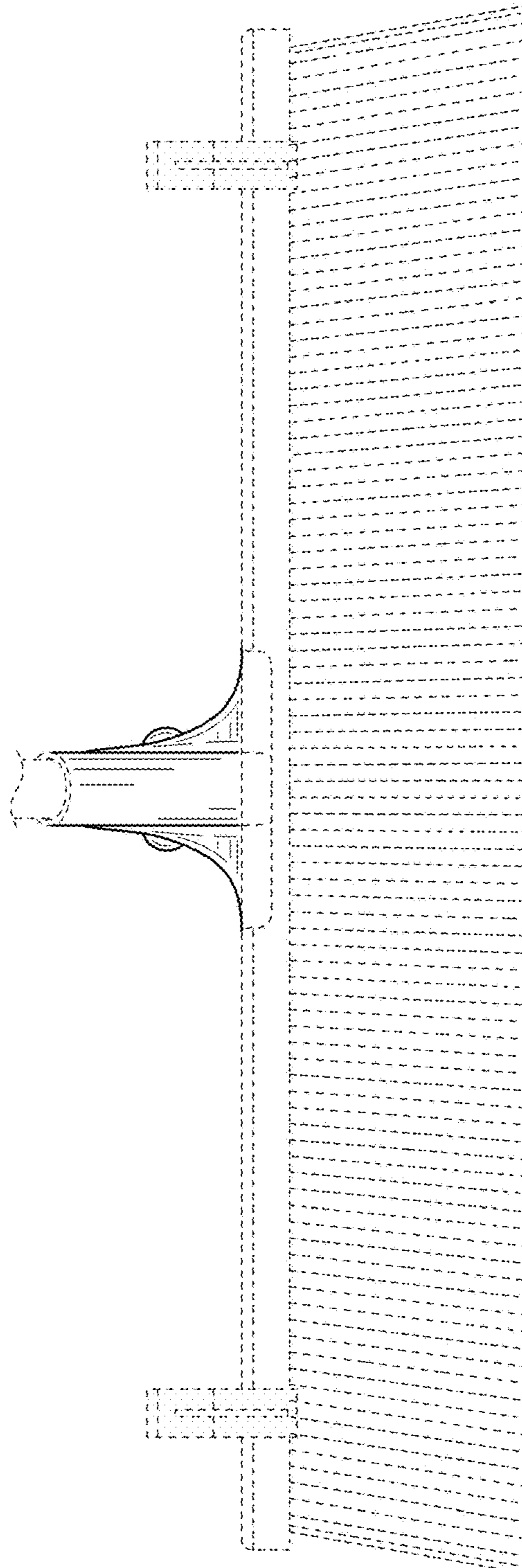
\* cited by examiner

1.1

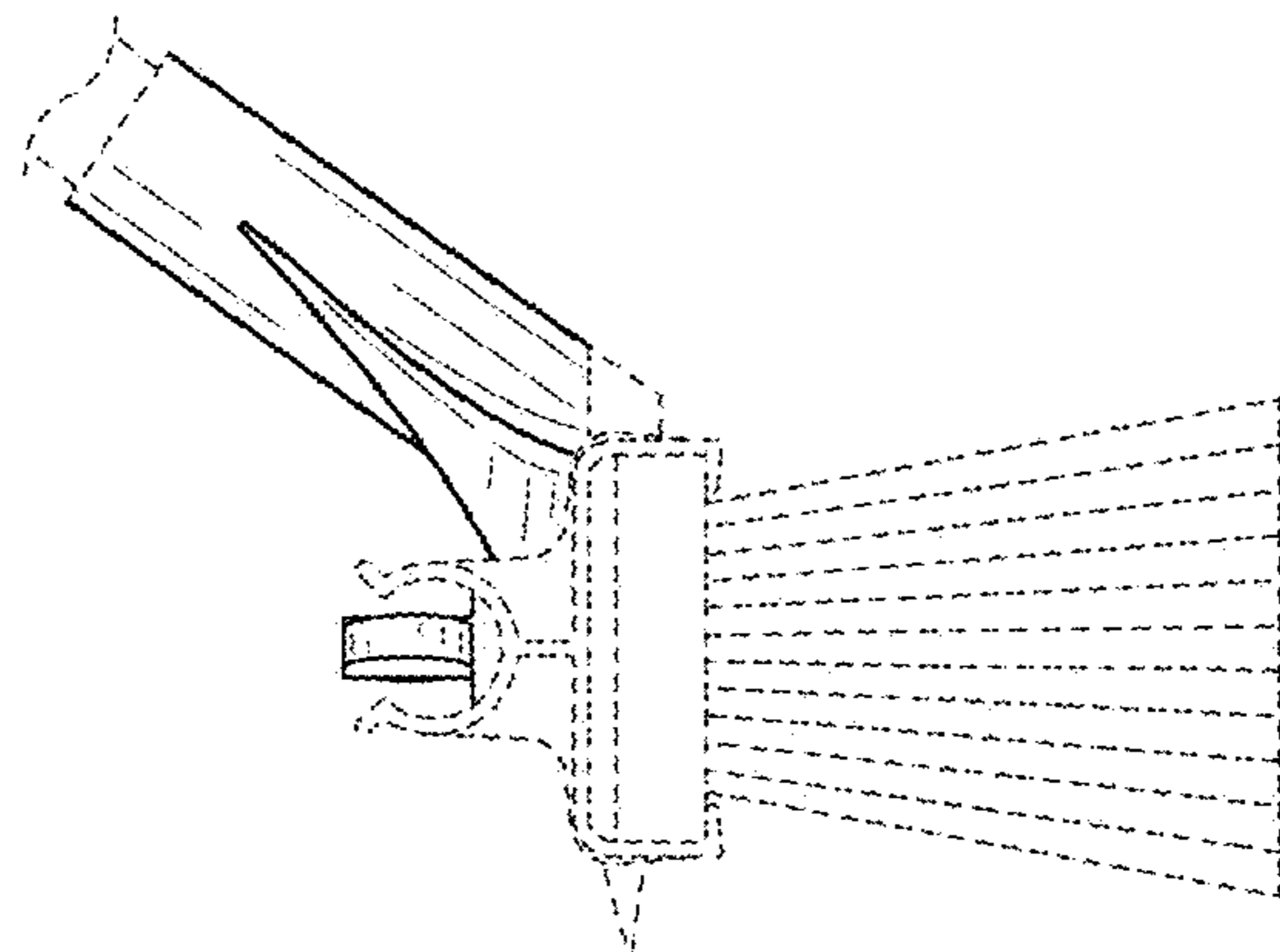


1.2

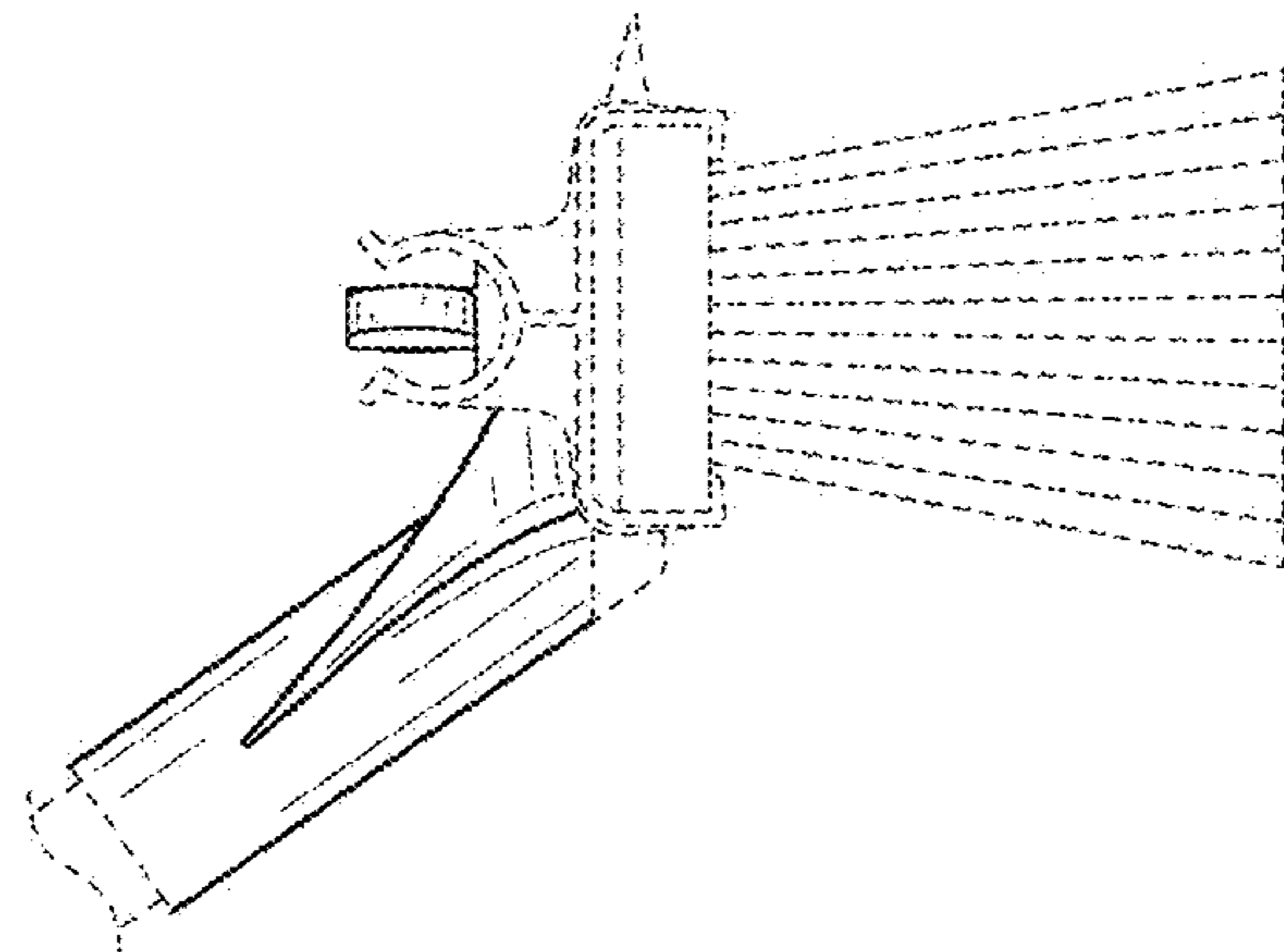




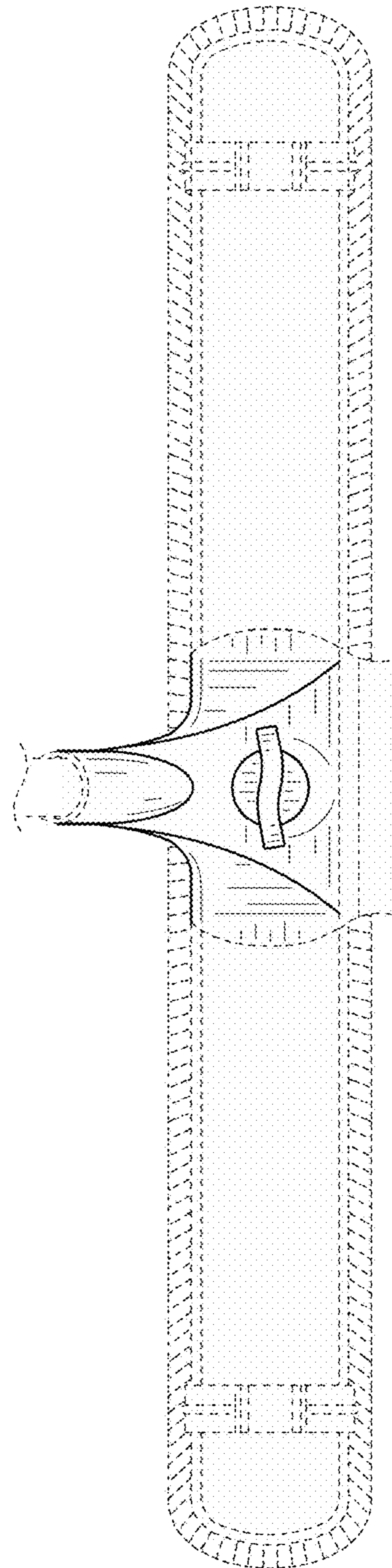
1.4



1.5



1.6





1.7

