



US00D930301S

(12) **United States Design Patent**
Yoon et al.

(10) **Patent No.:** **US D930,301 S**
(45) **Date of Patent:** **** Sep. 7, 2021**

(54) **WASHING MACHINE**

FOREIGN PATENT DOCUMENTS

(71) Applicant: **Samsung Electronics Co., Ltd.**,
Suwon-si (KR)

CN 302054512 8/2012
CN 303075570 1/2015

(Continued)

(72) Inventors: **Sanghoon Yoon**, Suwon-si (KR);
Myunggyu Kim, Suwon-si (KR);
Jaejin Lee, Suwon-si (KR)

OTHER PUBLICATIONS

Samsung 4.5-cu ft High Efficiency Stackable Front-Load Washer,
Lowes reviews 2020, [https://www.lowes.com/pd/Samsung-High-Efficiency-Stackable-Front-Load-Washer-White-ENERGY-STAR/10 . . .](https://www.lowes.com/pd/Samsung-High-Efficiency-Stackable-Front-Load-Washer-White-ENERGY-STAR/10...) site visited Mar. 25, 2021.*

(73) Assignee: **SAMSUNG ELECTRONICS CO., LTD.**, Gyeonggi-Do (KR)

(**) Term: **15 Years**

Primary Examiner — John R Yeh

(21) Appl. No.: **29/684,221**

(74) *Attorney, Agent, or Firm* — Cantor Colburn LLP

(22) Filed: **Mar. 19, 2019**

(57) **CLAIM**

The ornamental design for a washing machine, as shown and described.

(30) **Foreign Application Priority Data**

DESCRIPTION

Nov. 19, 2018 (KR) 30-2018-0053589

(51) **LOC (13) Cl.** **15-05**

(52) **U.S. Cl.**
USPC **D32/28**

(58) **Field of Classification Search**
USPC D32/1-2, 5-6, 8, 10, 15-17, 28, 35-36,
D32/53; D7/354

CPC .. A61L 2/10; A61C 19/00; A47J 27/00; F26B
11/02; E05B 65/0007; A47L 15/0084;
D06F 39/00; D06F 34/28

See application file for complete search history.

FIG. 1 is a front perspective view of a first embodiment of a washing machine, showing our new design;
FIG. 2 is a front view thereof;
FIG. 3 is a rear view thereof;
FIG. 4 is a left-side view thereof;
FIG. 5 is a right-side view thereof;
FIG. 6 is a top view thereof;
FIG. 7 is a bottom view thereof;
FIG. 8 is an enlarged view of the encircled portion 8 in FIG. 1;
FIG. 9 is an enlarged view of the encircled portion 9 in FIG. 2;
FIG. 10 is an enlarged view of the encircled portion 10 in FIG. 4; and,
FIG. 11 is an enlarged view of the encircled portion 11 in FIG. 5.

(56) **References Cited**

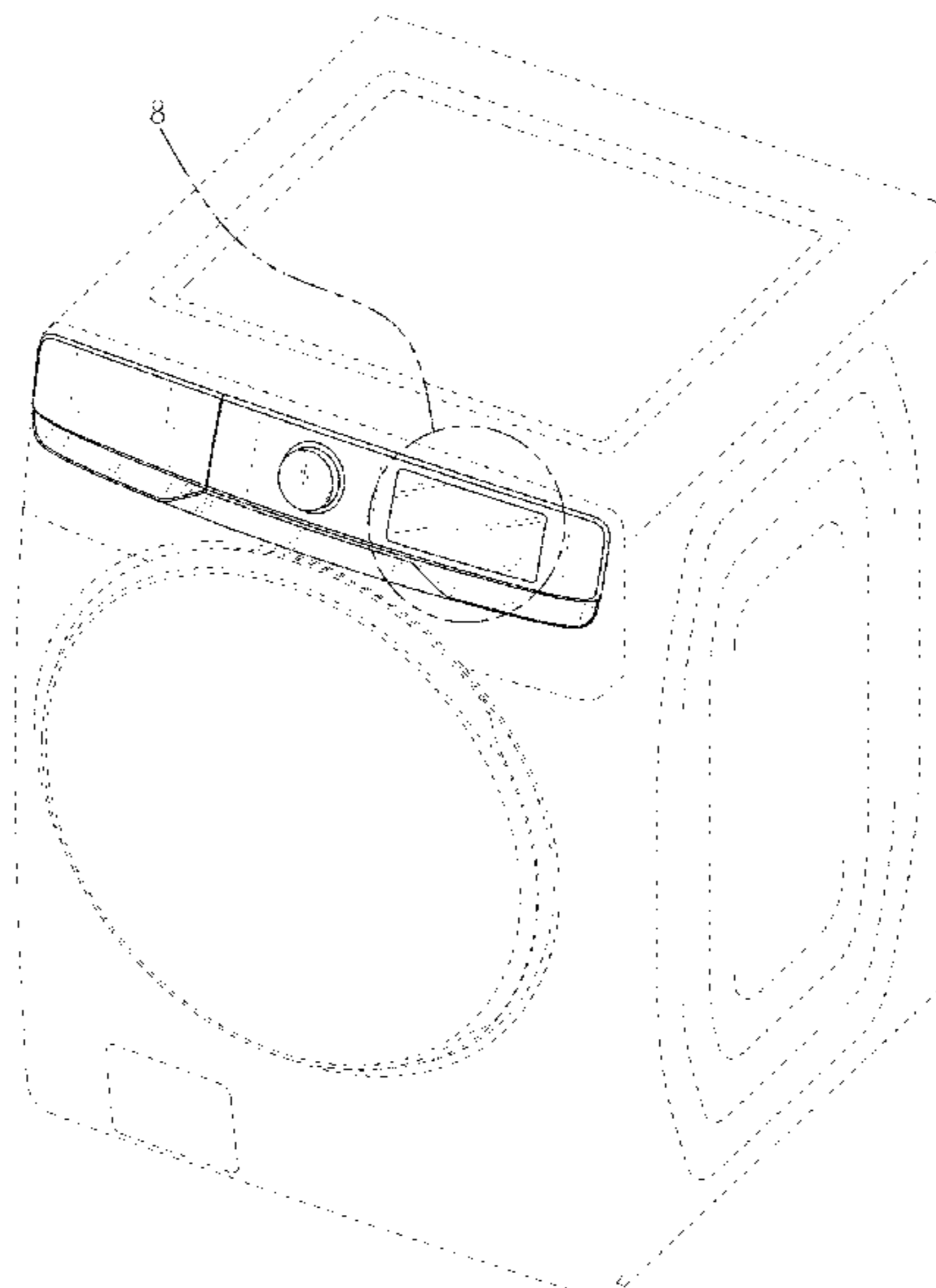
U.S. PATENT DOCUMENTS

D474,866 S * 5/2003 Wendt D32/3
D492,456 S * 6/2004 Geyer D32/28
D577,471 S * 9/2008 Park D32/28
D582,105 S * 12/2008 Cho D32/6

The even-dash broken lines illustrating portions of the washing machine form no part of the claimed design. The dot-dot-dash broken lines encircling enlargement portions of the washing machine form no part of the claimed design.

(Continued)

1 Claim, 11 Drawing Sheets



(56)

References Cited

U.S. PATENT DOCUMENTS

7,934,399 B2 * 5/2011 No D06F 39/12
 68/3 R
 D665,543 S * 8/2012 Kim D32/6
 D681,892 S * 5/2013 Meda D32/28
 D759,916 S * 6/2016 Choi D32/28
 D759,917 S * 6/2016 Choi D32/28
 D760,458 S * 6/2016 Choi D32/28
 D771,887 S * 11/2016 Kim D32/28
 D773,134 S * 11/2016 Armstrong D32/28
 D830,019 S * 10/2018 Kim D32/28
 D830,020 S * 10/2018 Kim D32/28
 D870,405 S * 12/2019 Kim D32/28
 D870,996 S * 12/2019 Kim D32/28
 10,738,405 B2 * 8/2020 Kim D06F 34/28
 2010/0259403 A1 * 10/2010 Cho D06F 34/28
 340/679
 2015/0003027 A1 * 1/2015 Han H05K 7/1427
 361/752
 2018/0371672 A1 * 12/2018 Bockos D06F 34/28
 2020/0040503 A1 * 2/2020 Hong D06F 34/28

FOREIGN PATENT DOCUMENTS

CN 303358777 9/2015
 CN 304270877 9/2017
 EM 0021757780001 1/2013
 KR 301022959.0000 * 9/2019
 KR 301022960.0000 * 9/2019

* cited by examiner

FIG. 1

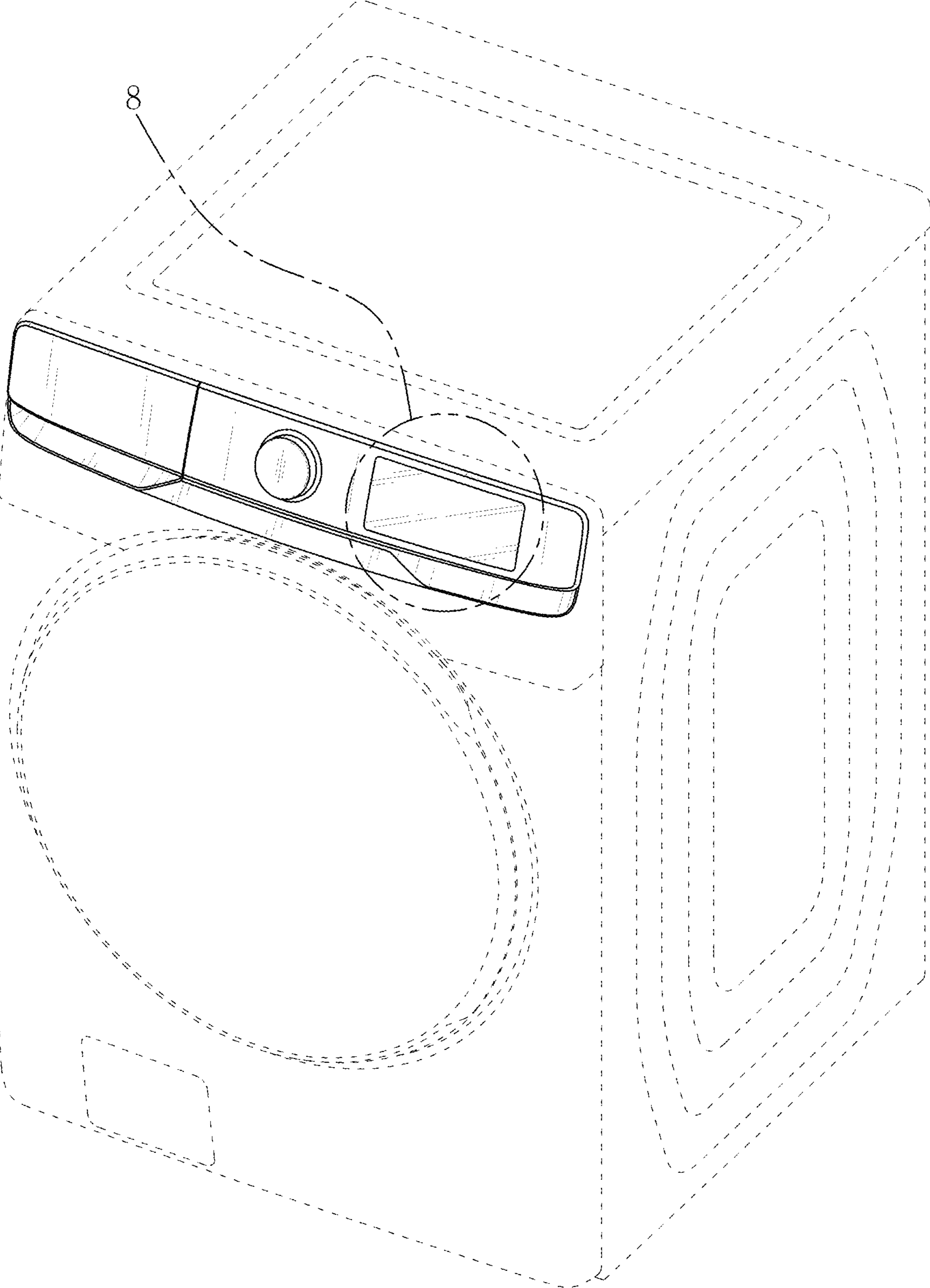


FIG. 2

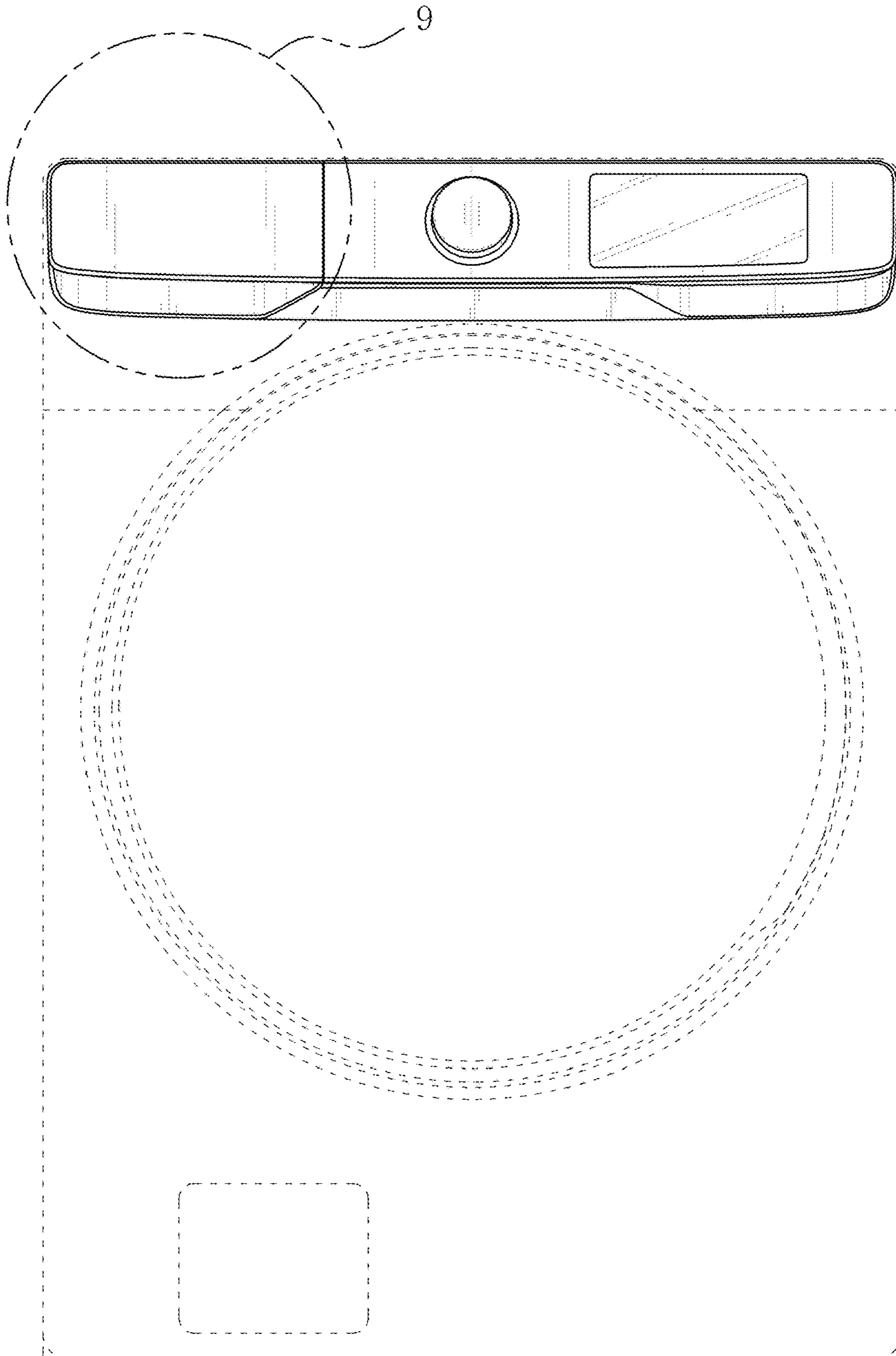


FIG. 3

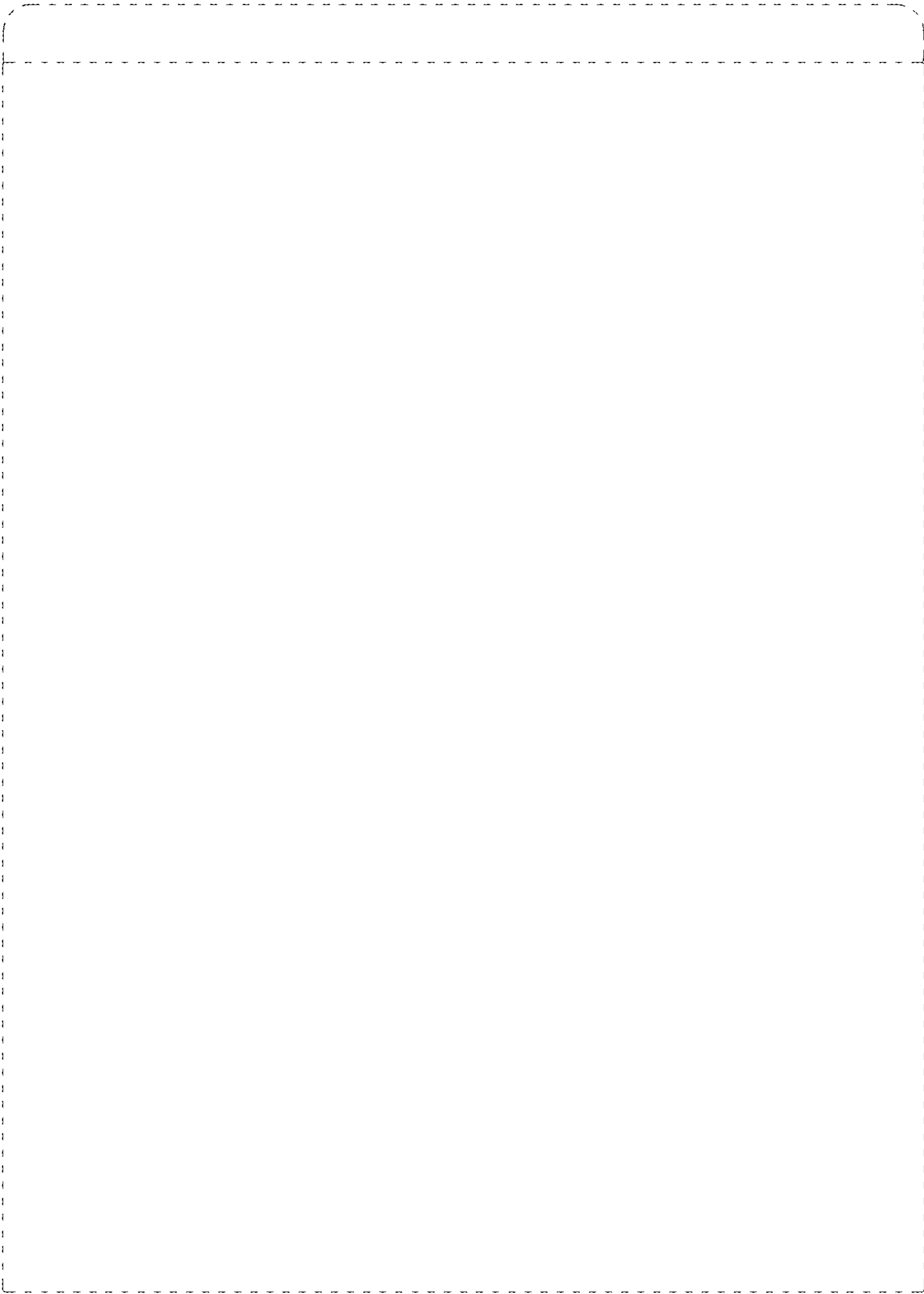


FIG. 4

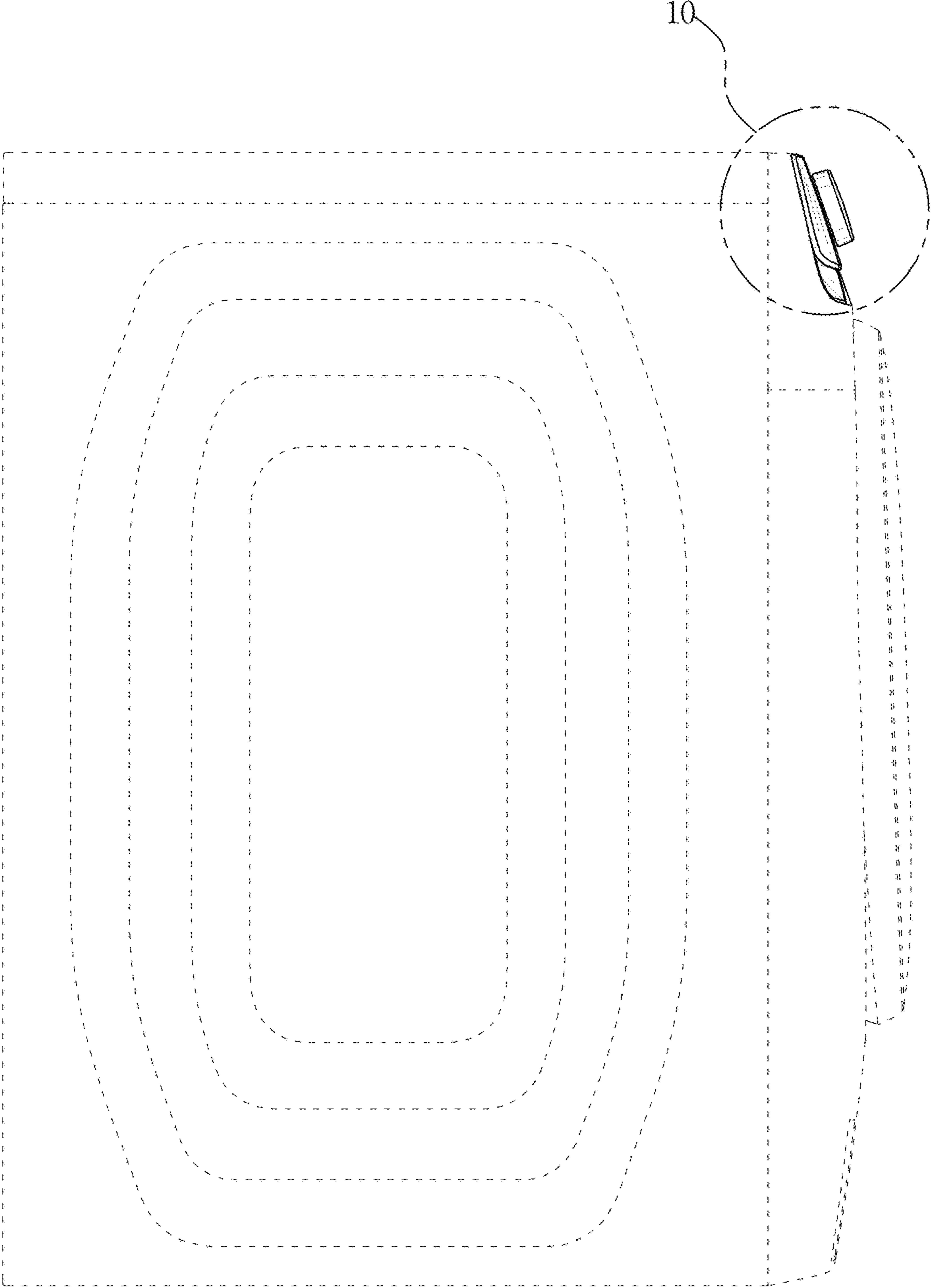


FIG. 5

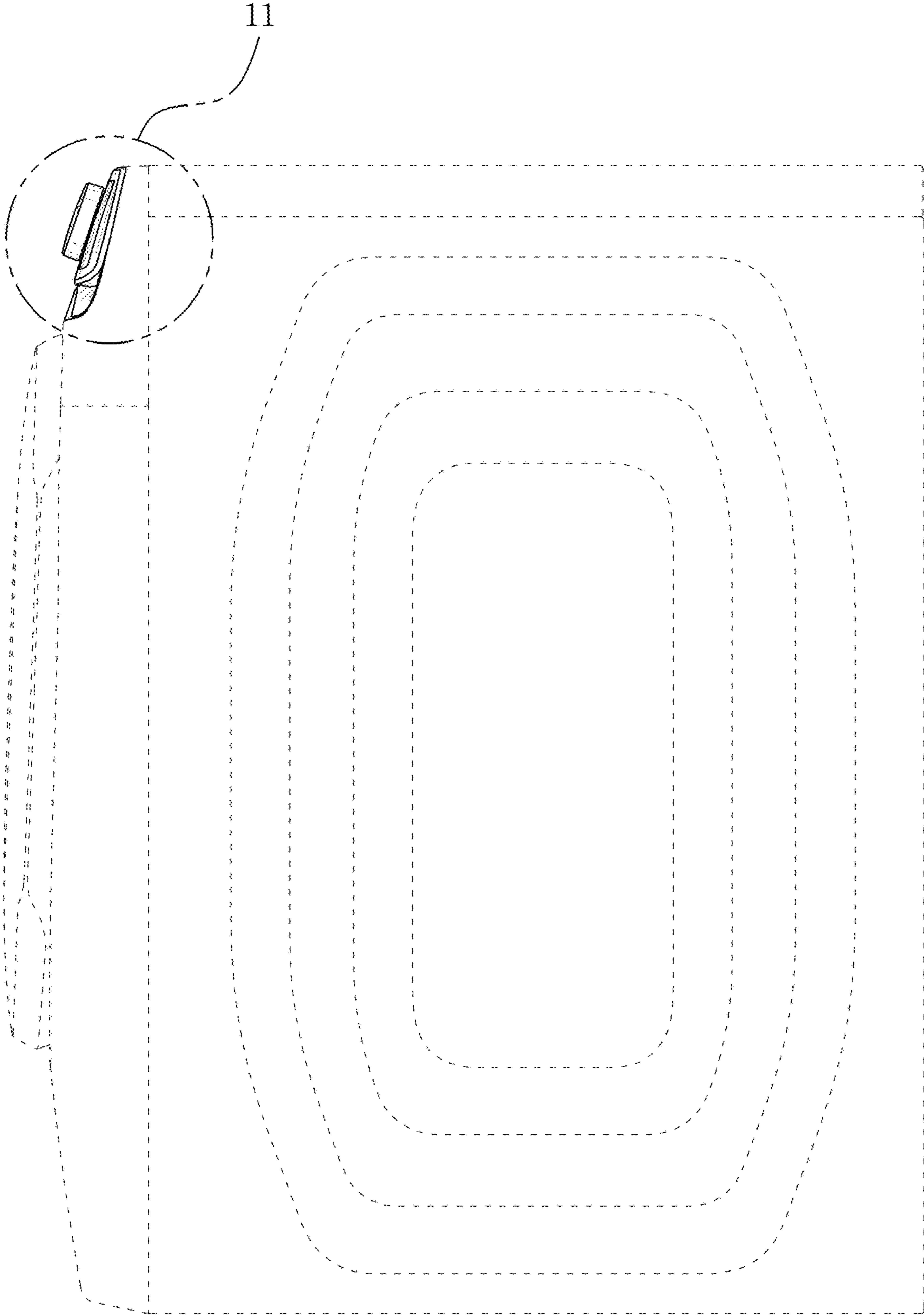


FIG. 6

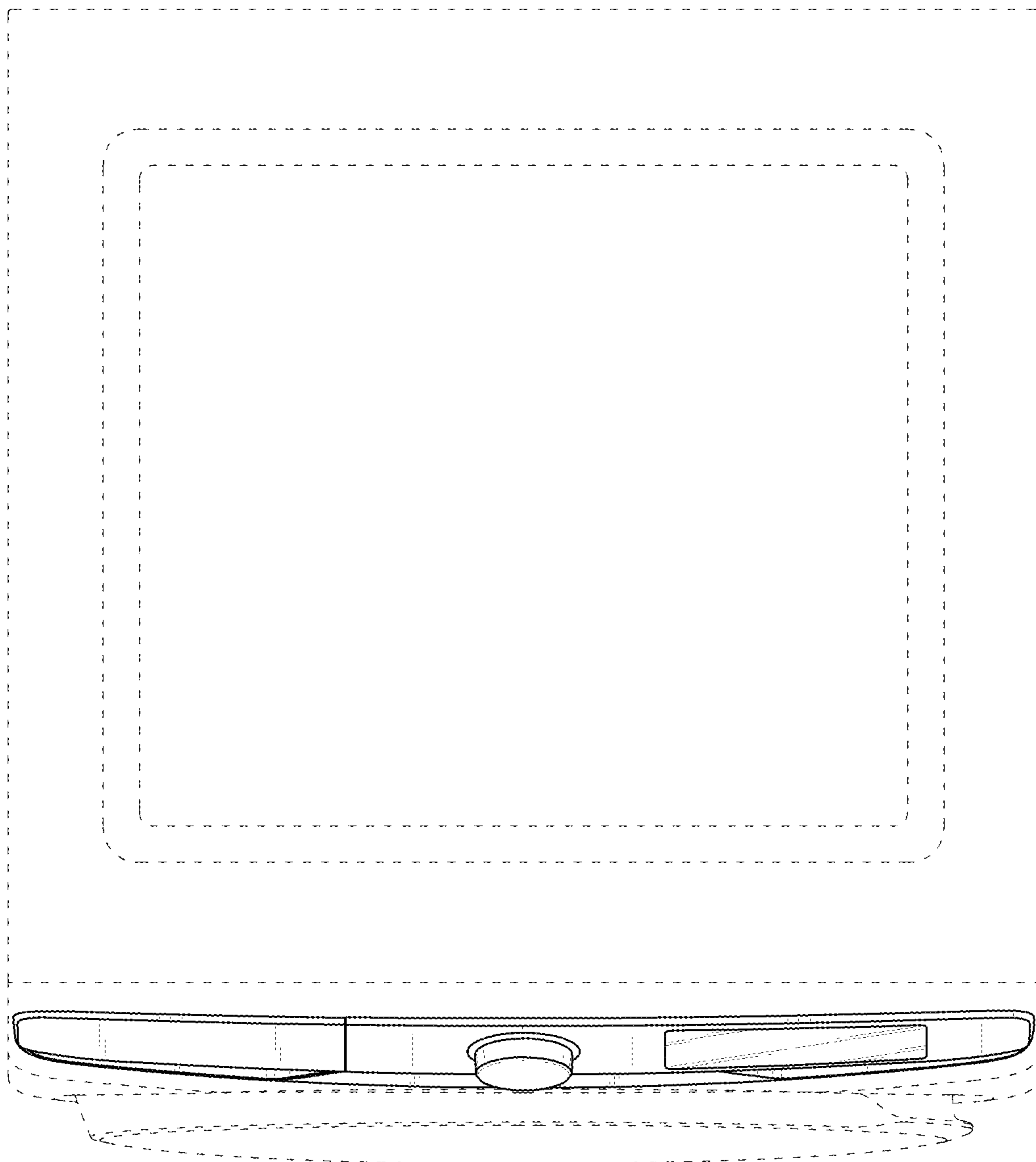


FIG. 7

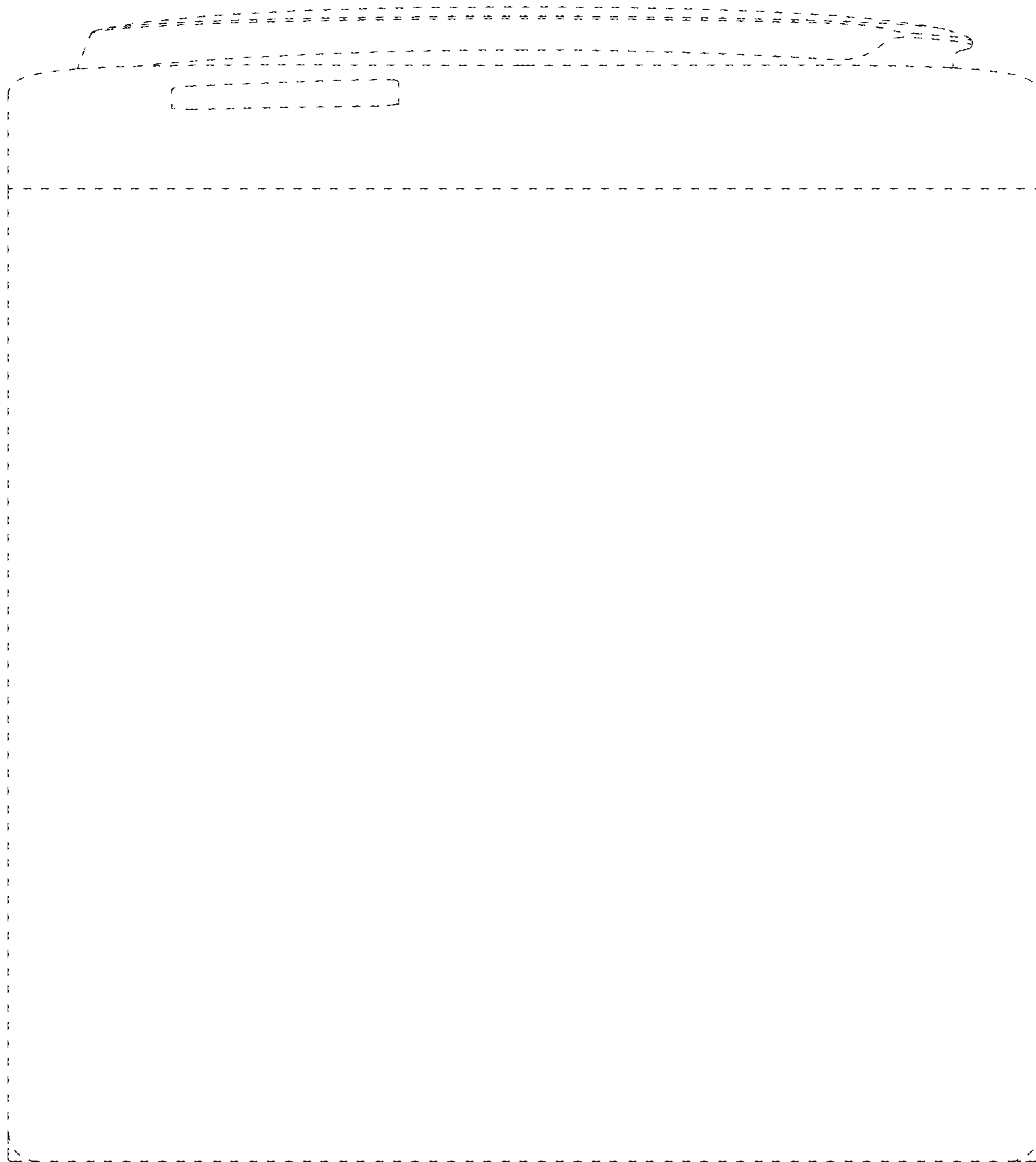


FIG. 8

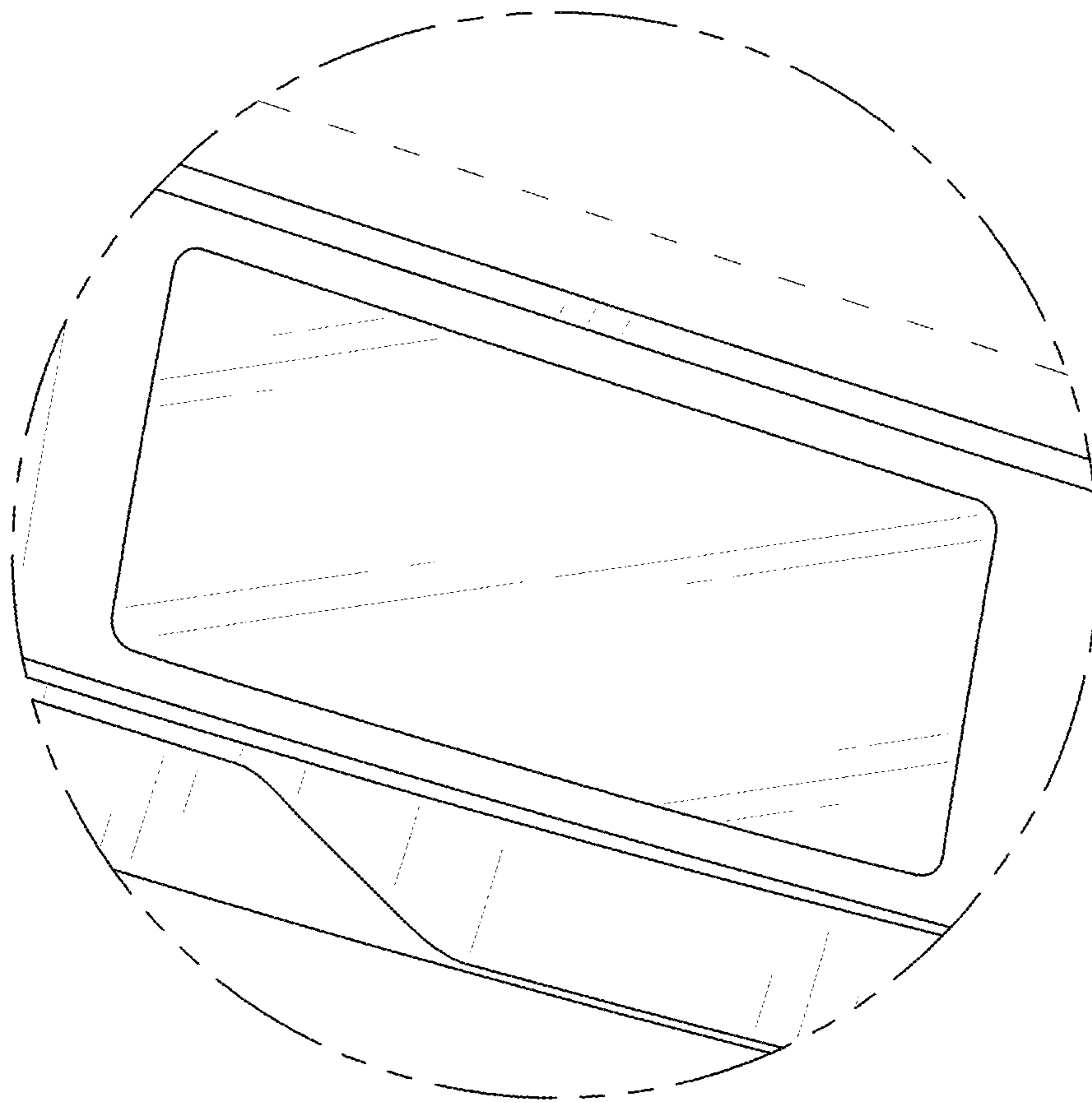


FIG. 9

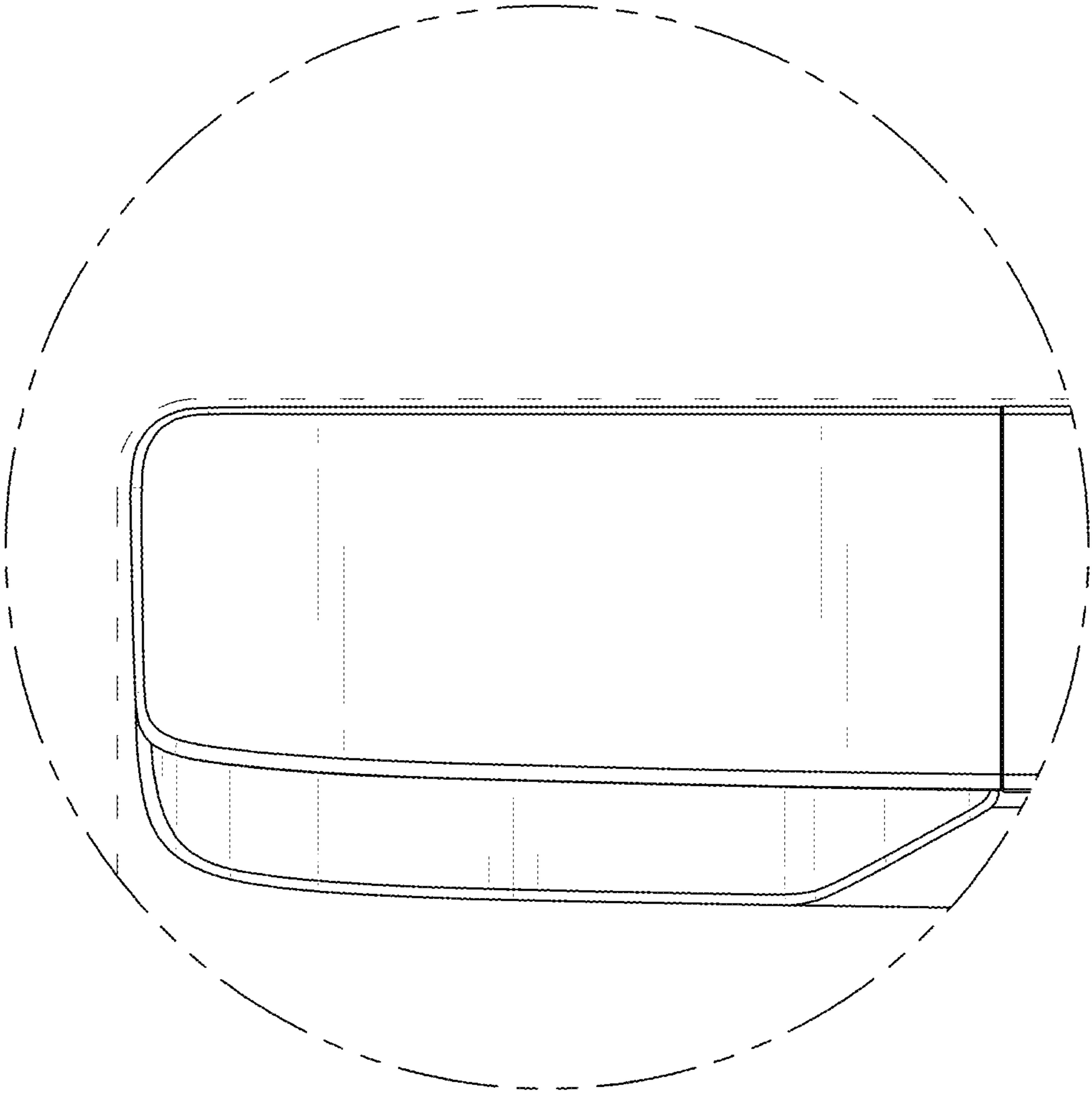


FIG. 10

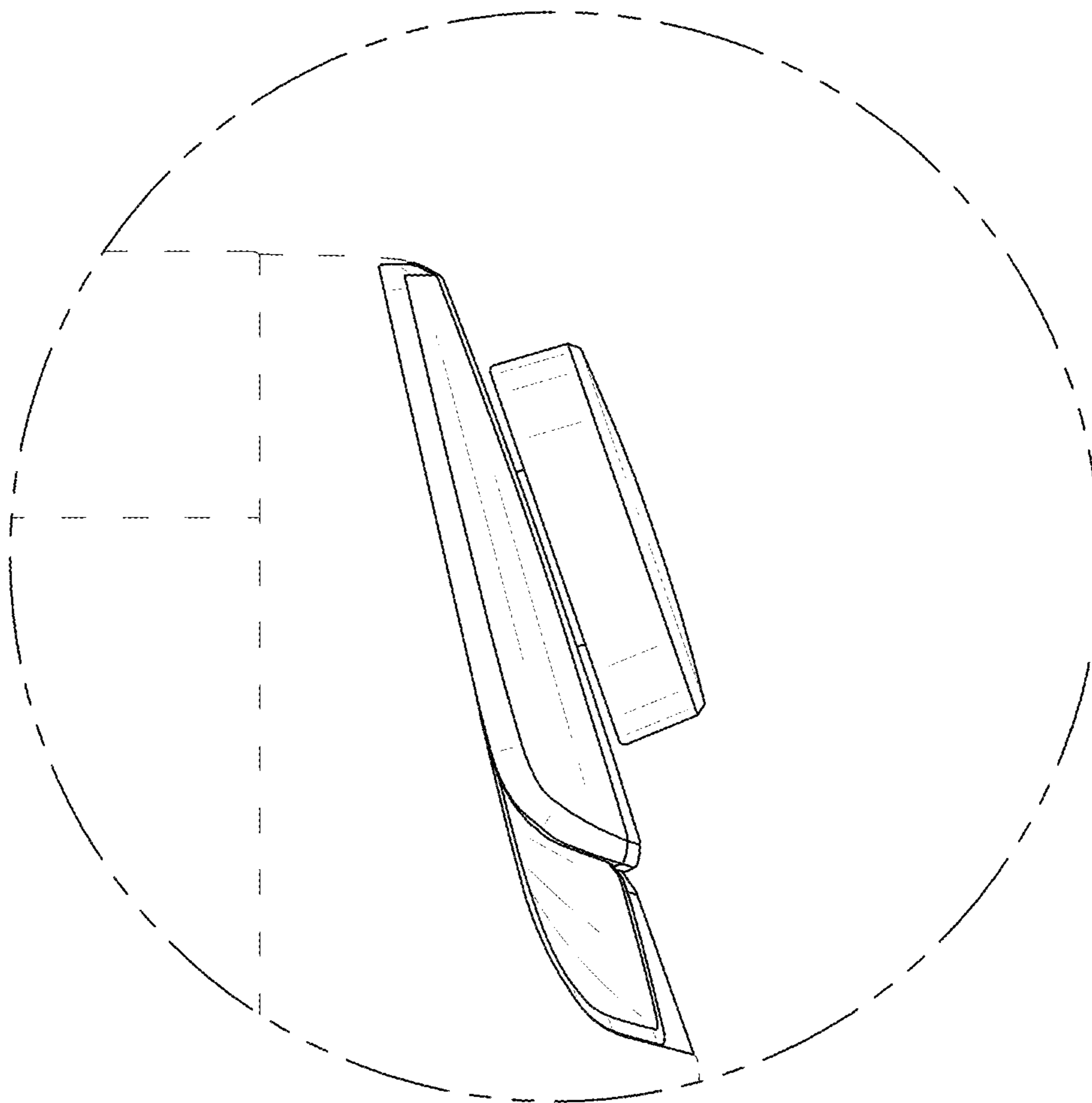


FIG. 11

