

US00D930299S

(12) **United States Design Patent**
Lee et al.

(10) **Patent No.:** **US D930,299 S**
(45) **Date of Patent:** **** Sep. 7, 2021**

(54) **ROBOT VACUUM CLEANER**

FOREIGN PATENT DOCUMENTS

(71) Applicant: **SAMSUNG ELECTRONICS CO., LTD.**, Suwon-si (KR)

CN 303288429 S 7/2015
CN 304705643 S 6/2018

(Continued)

(72) Inventors: **Hwan-Dong Lee**, Suwon-si (KR);
Sang-Hoon Yoon, Suwon-si (KR);
Jin-Sun Park, Suwon-si (KR); **Jae-Ho Jang**, Suwon-si (KR); **Hyun-Woo Yoon**, Suwon-si (KR)

Primary Examiner — Patricia A Palasik

(74) *Attorney, Agent, or Firm* — Cantor Colburn LLP

(73) Assignee: **SAMSUNG ELECTRONICS CO., LTD.**, Gyeonggi-Do (KR)

(57) **CLAIM**

The ornamental design for a robot vacuum cleaner, as shown and described.

(**) Term: **15 Years**

(21) Appl. No.: **29/735,879**

DESCRIPTION

(22) Filed: **May 26, 2020**

(30) **Foreign Application Priority Data**

Nov. 28, 2019 (KR) 30-2019-0057199

(51) **LOC (13) Cl.** **15-05**

(52) **U.S. Cl.**
USPC **D32/21; D15/199**

(58) **Field of Classification Search**
USPC D15/199; D32/21, 23-24, 31; D34/34
CPC A47L 2201/00; A47L 2201/02; A47L 2201/04; A47L 2201/06; A47L 2201/0461; A47L 2201/2805; B25J 9/1694; E04H 4/1654
See application file for complete search history.

FIG. 1 is a front perspective view of a robot vacuum cleaner showing our new design;
FIG. 2 is a front view thereof;
FIG. 3 is a rear view thereof;
FIG. 4 is a left-side view thereof;
FIG. 5 is a right-side view thereof;
FIG. 6 is a top plan view thereof;
FIG. 7 is a bottom plan view thereof;
FIG. 8 is an enlarged view of the encircled portion 8 in FIG. 1;
FIG. 9 is an enlarged view of the encircled portion 9 in FIG. 1;
FIG. 10 is an enlarged view of the encircled portion 10 in FIG. 1;
FIG. 11 is an enlarged view of the encircled portion 11 in FIG. 4; and,
FIG. 12 is an enlarged view of the encircled portion 12 in FIG. 7.

(56) **References Cited**

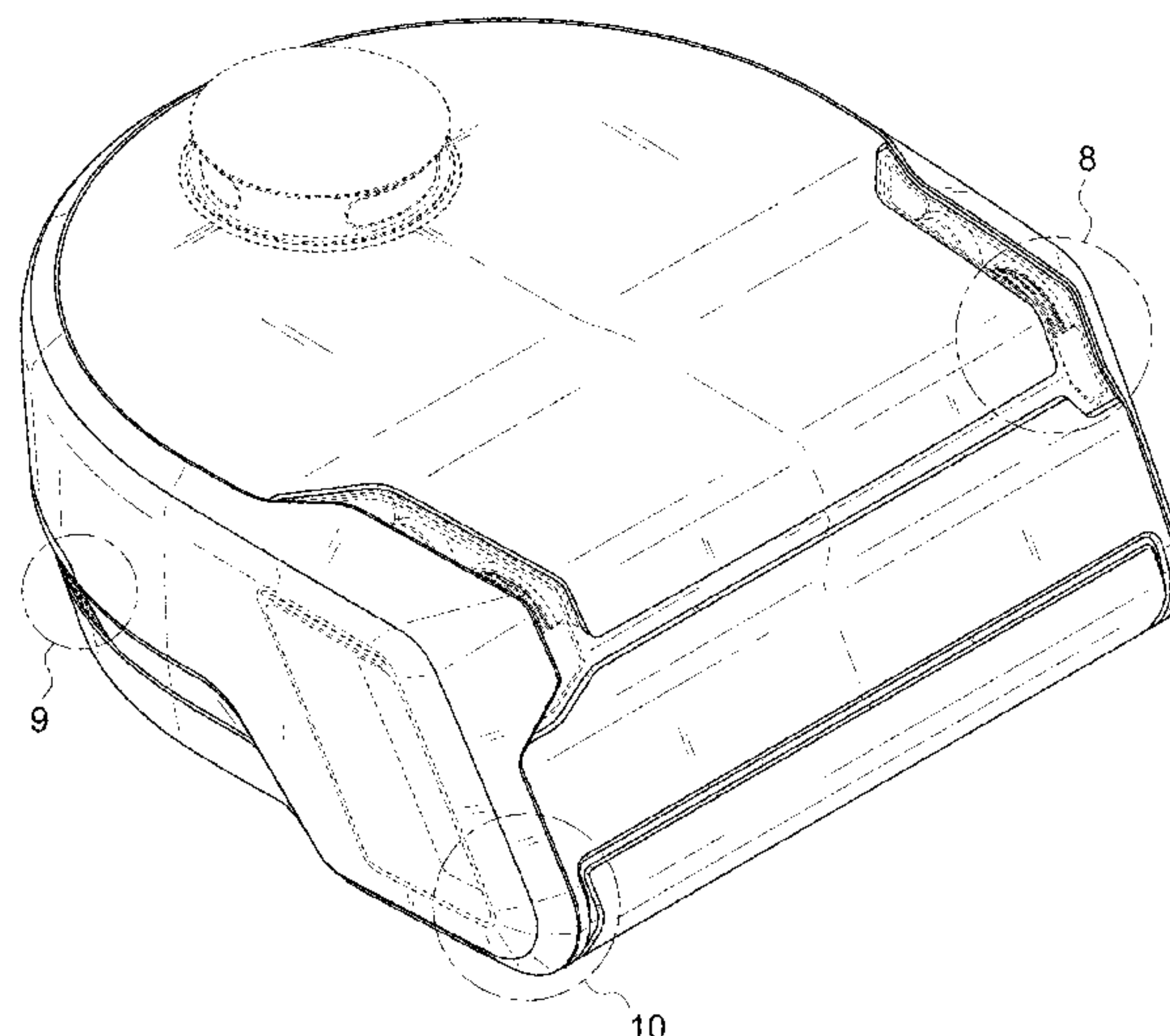
U.S. PATENT DOCUMENTS

D188,039 S * 5/1960 Descarries D32/31
D242,210 S * 11/1976 Parise D32/21
D548,411 S * 8/2007 Schroter D32/21
D548,902 S * 8/2007 Chun D32/21
D556,398 S * 11/2007 Shin D32/21
D593,265 S * 5/2009 Carr D32/21

The even dashed broken lines illustrating portions of the robot vacuum cleaner form no part of the claimed design. The dot-dash broken lines encircling portions of the robot vacuum cleaner in FIGS. 1, 4 and 7 and illustrated in enlarged views in FIGS. 8-12 form no part of the claimed design.

(Continued)

1 Claim, 12 Drawing Sheets



(56)

References Cited

U.S. PATENT DOCUMENTS

D596,815 S * 7/2009 Baek D32/21
 D601,315 S * 9/2009 Lee D32/21
 D646,855 S * 10/2011 Kim D32/21
 D653,823 S * 2/2012 Kim D32/21
 8,239,992 B2 * 8/2012 Schnittman A47L 11/4011
 D676,204 S * 2/2013 Kim D32/21
 D713,609 S * 9/2014 Shin D32/21
 D720,103 S * 12/2014 Haug D32/21
 D737,006 S * 8/2015 Heck D32/21
 D751,777 S * 3/2016 Cheon D32/21
 D808,096 S * 1/2018 Yun D32/21
 9,968,233 B2 * 5/2018 Strang A47L 11/4069
 D822,923 S * 7/2018 Casini D32/21
 D859,764 S * 9/2019 Sexton D32/21
 D860,557 S * 9/2019 Gnielka D32/21
 D860,558 S * 9/2019 Lee D32/21

D862,010 S * 10/2019 Smith D32/21
 D867,701 S * 11/2019 Mi D32/31
 D879,852 S * 3/2020 Chen D15/199
 D899,475 S * 10/2020 Xiao D15/199
 2017/0273526 A1 * 9/2017 Love A47L 9/1608
 2018/0103812 A1 * 4/2018 Lee A47L 9/0653
 2018/0284786 A1 * 10/2018 Moshkina-Martinson
 A47L 9/2894
 2018/0353039 A1 * 12/2018 Erkek A47L 9/2884
 2018/0353043 A1 * 12/2018 Erkek A47L 7/0085
 2018/0360281 A1 * 12/2018 Shin A47L 9/0494
 2019/0270472 A1 * 9/2019 Akamatsu B62B 5/0093

FOREIGN PATENT DOCUMENTS

EM 000400270-0005 11/2005
 EM 060400270-0005 11/2005
 EM 001364939-0003 9/2015
 EM 004085066-0008 7/2017

* cited by examiner

FIG. 1

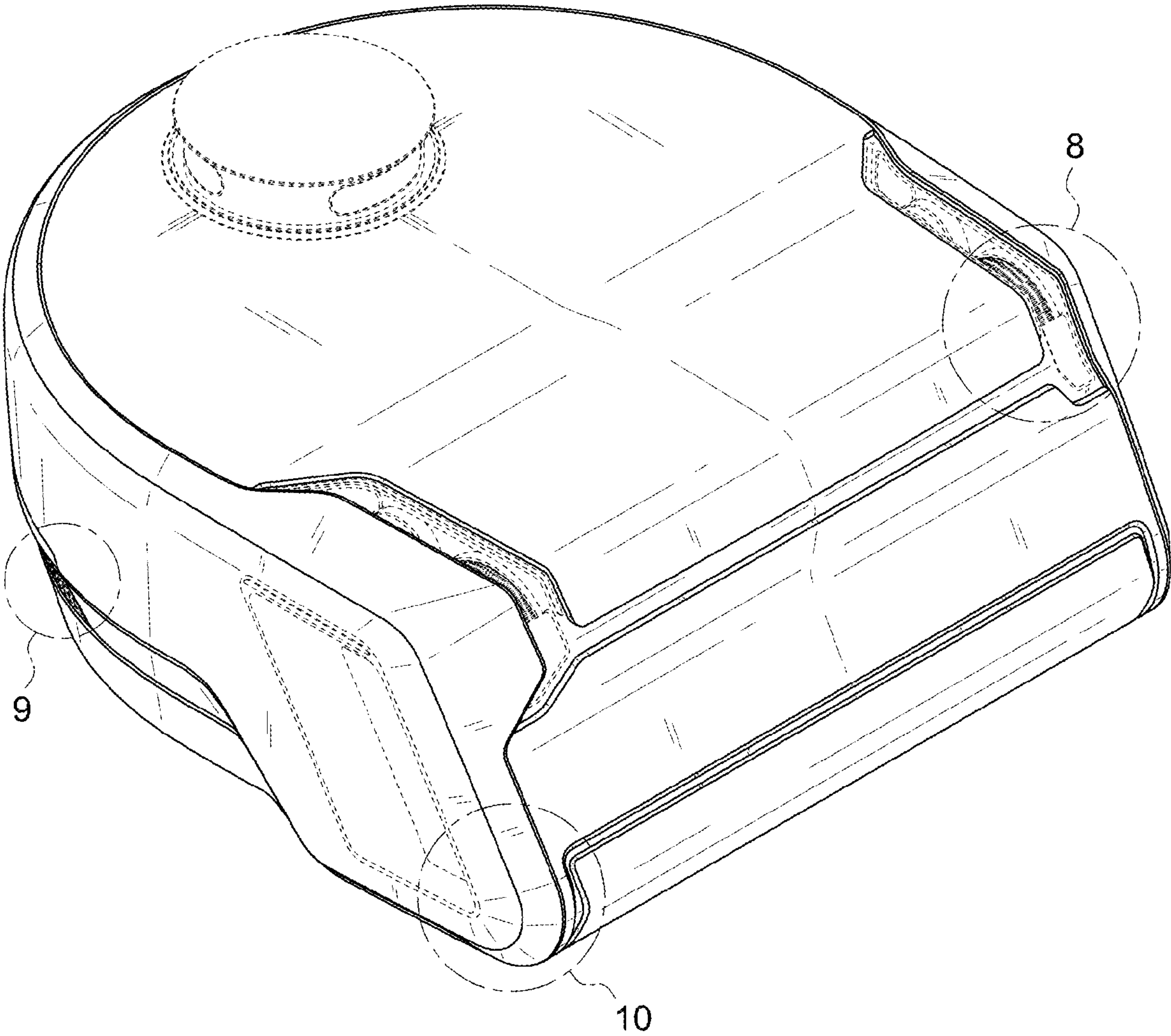


FIG. 2

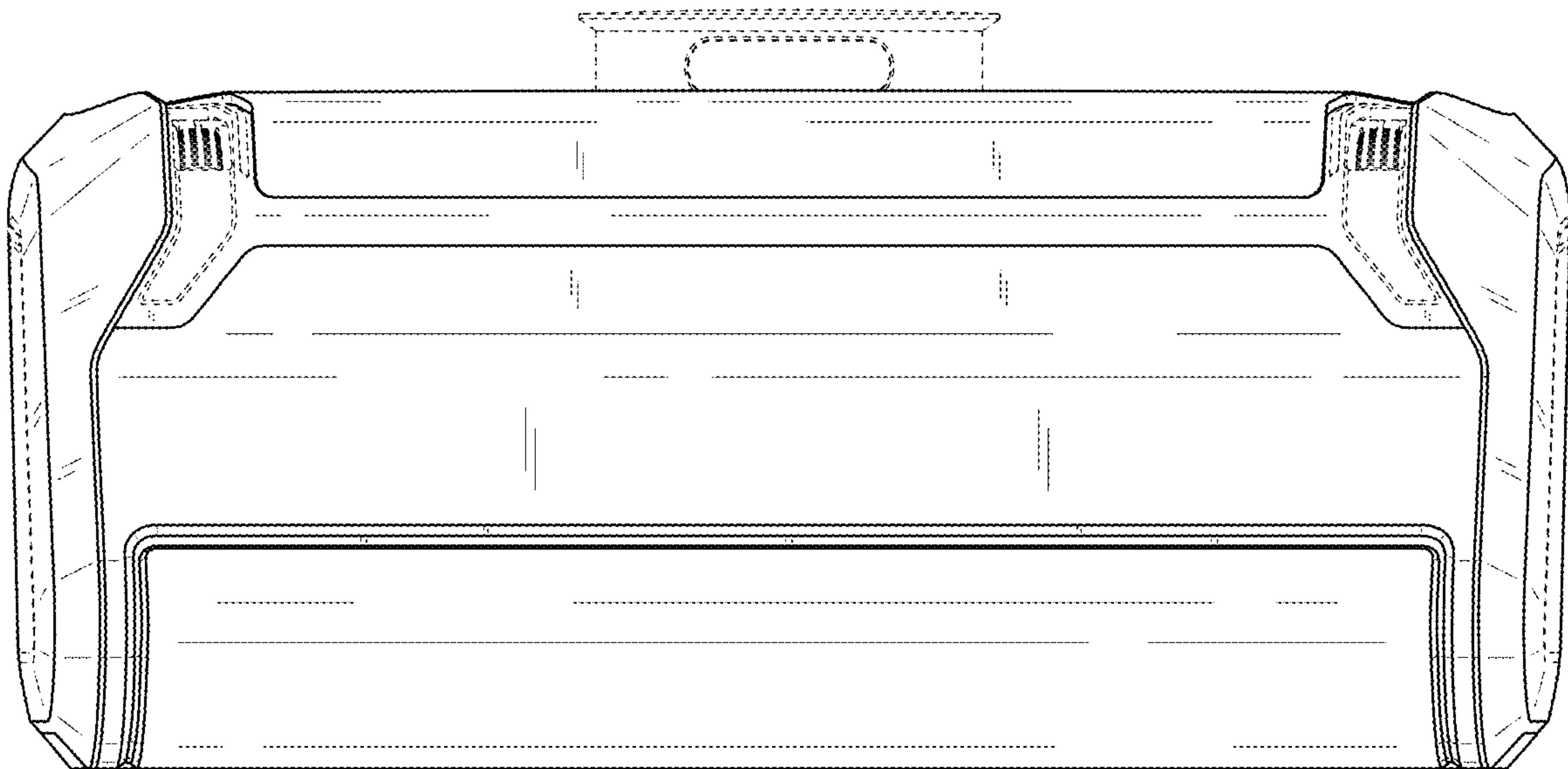


FIG. 3

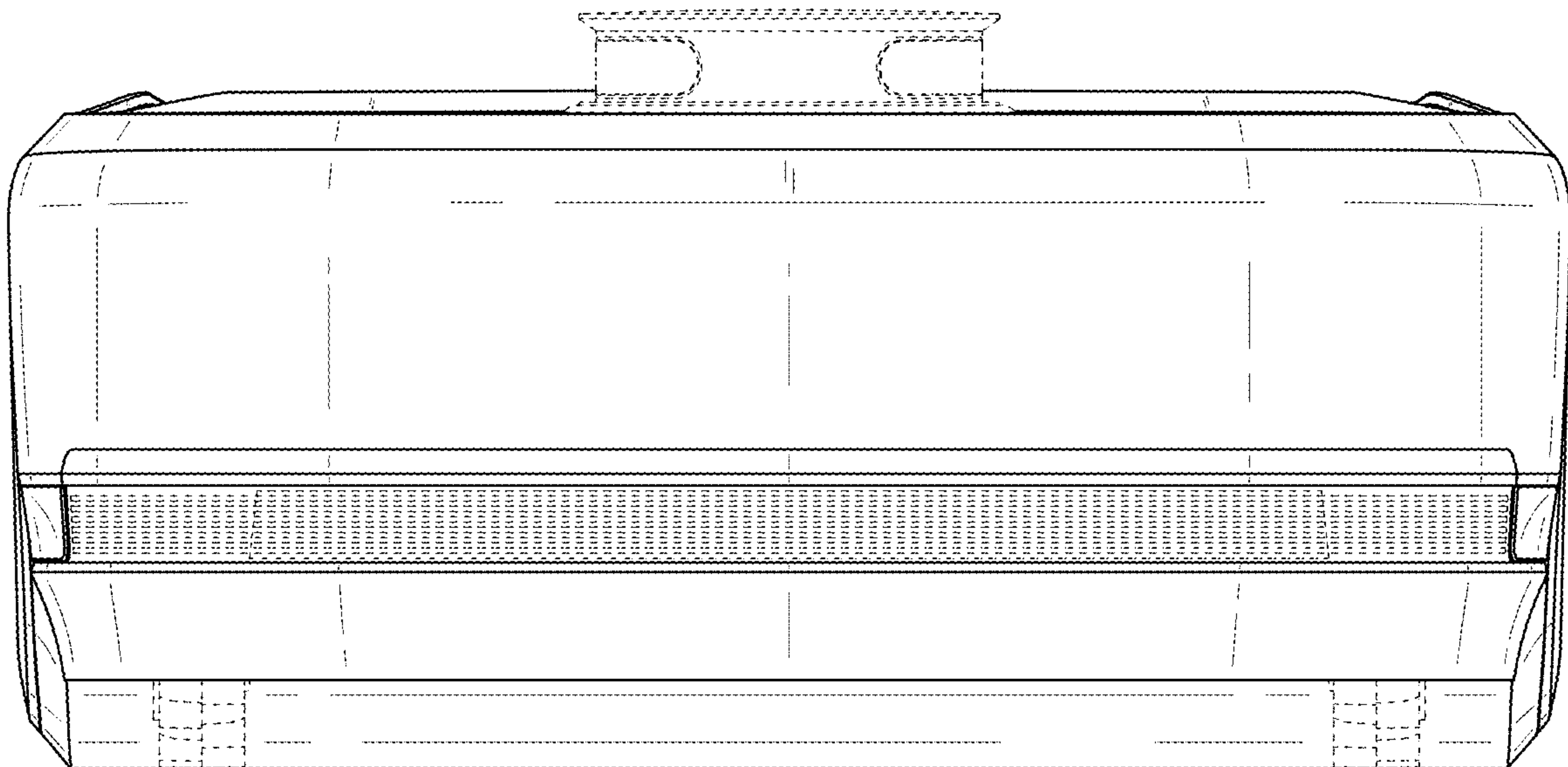


FIG. 4

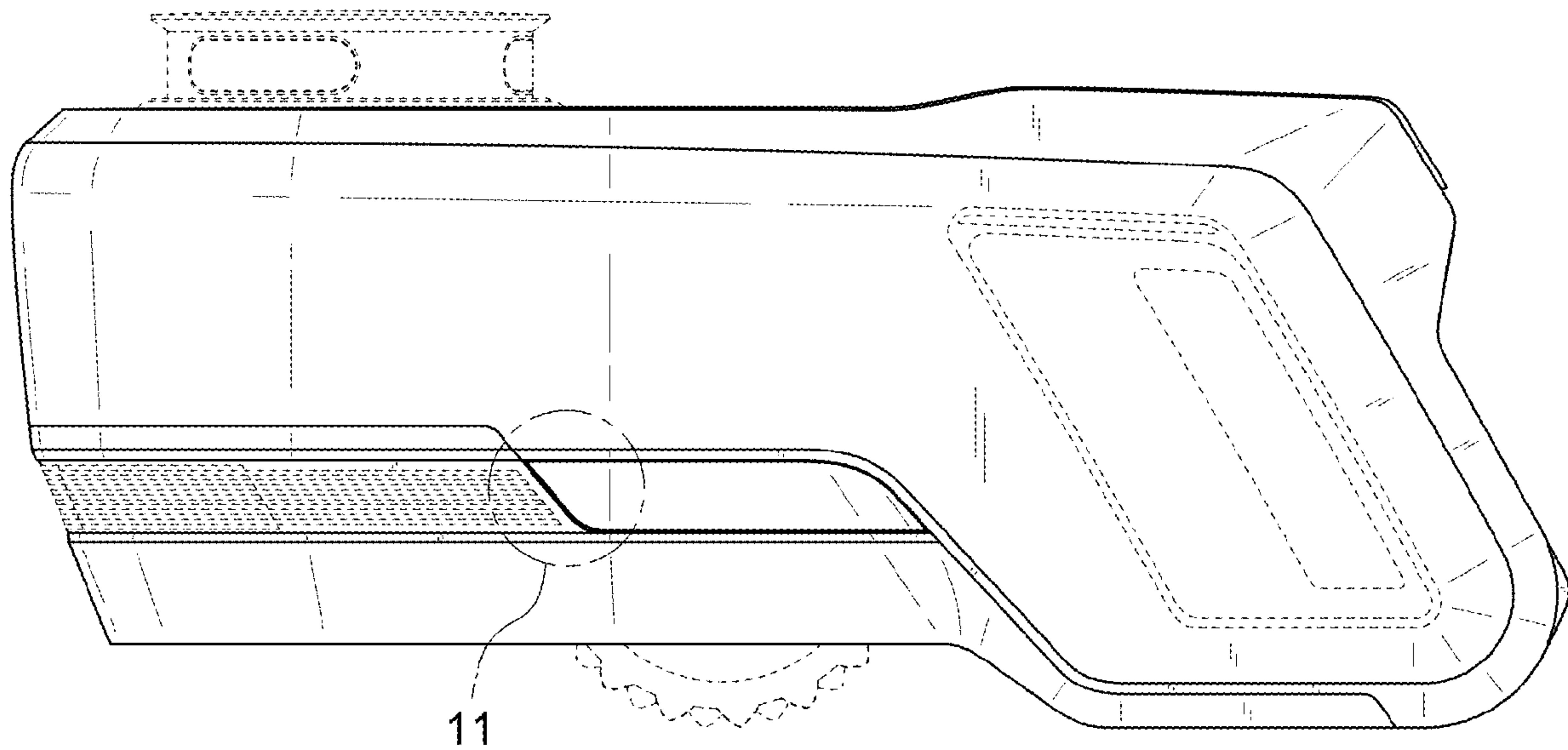


FIG. 5

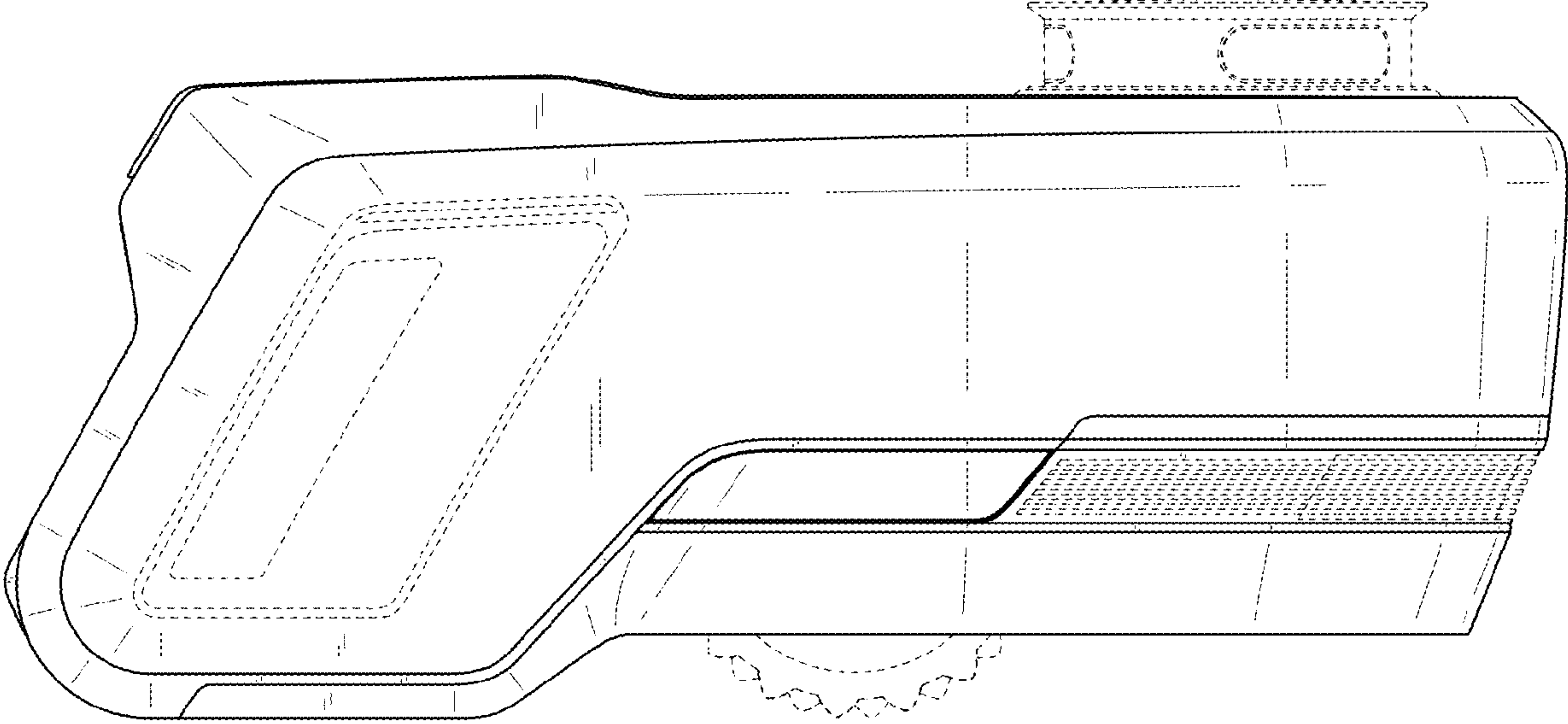


FIG. 6

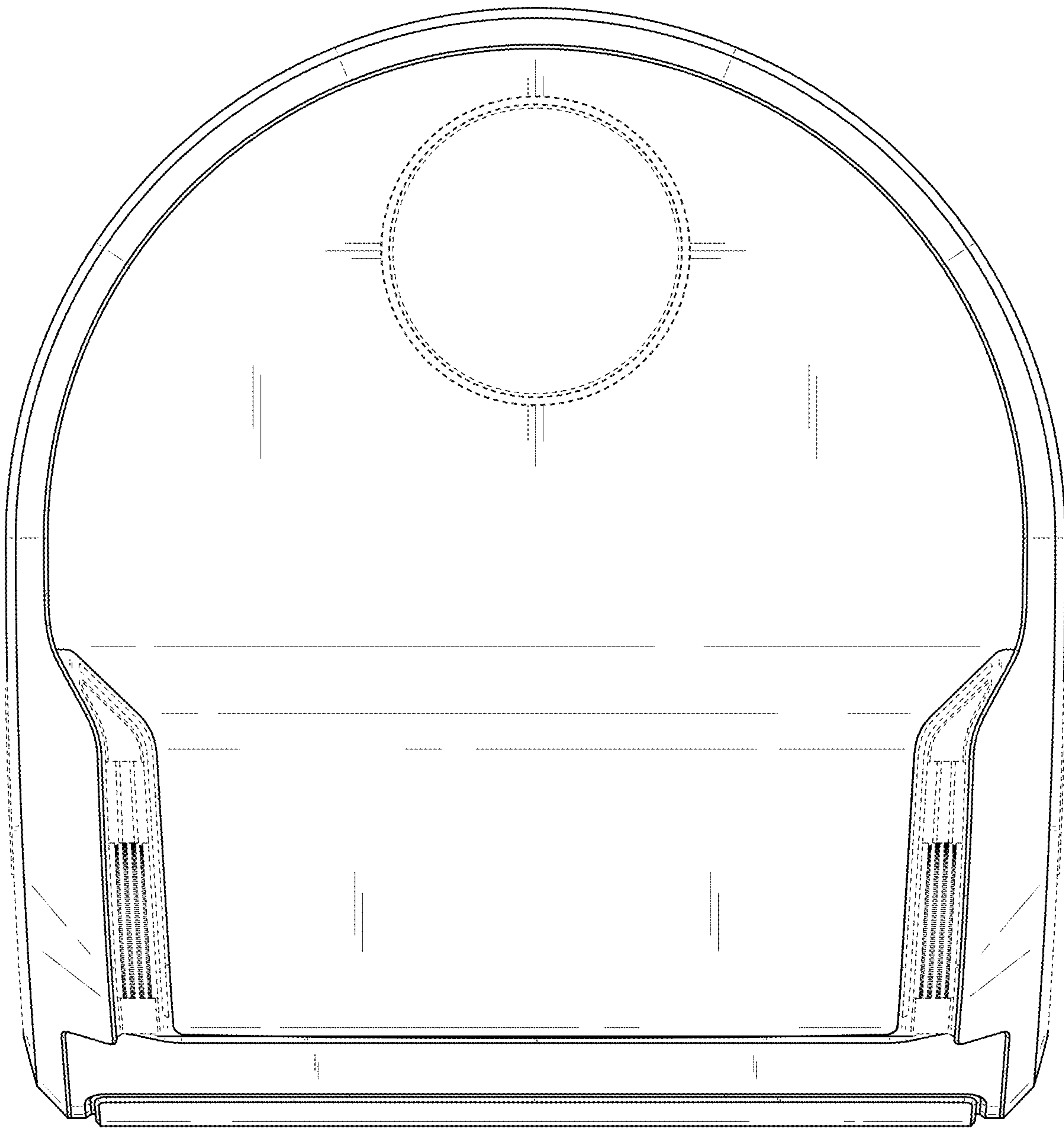


FIG. 7

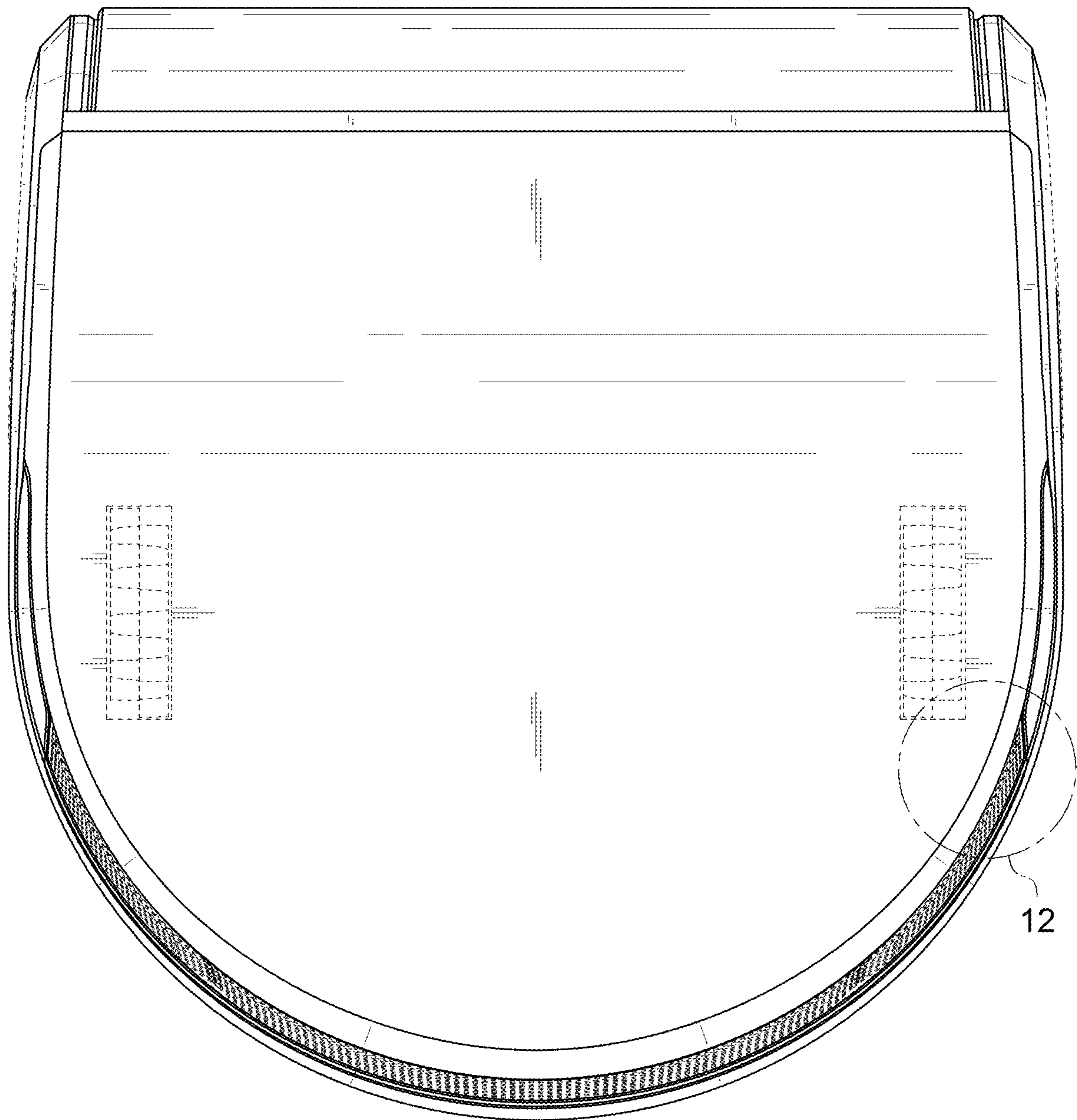


FIG. 8

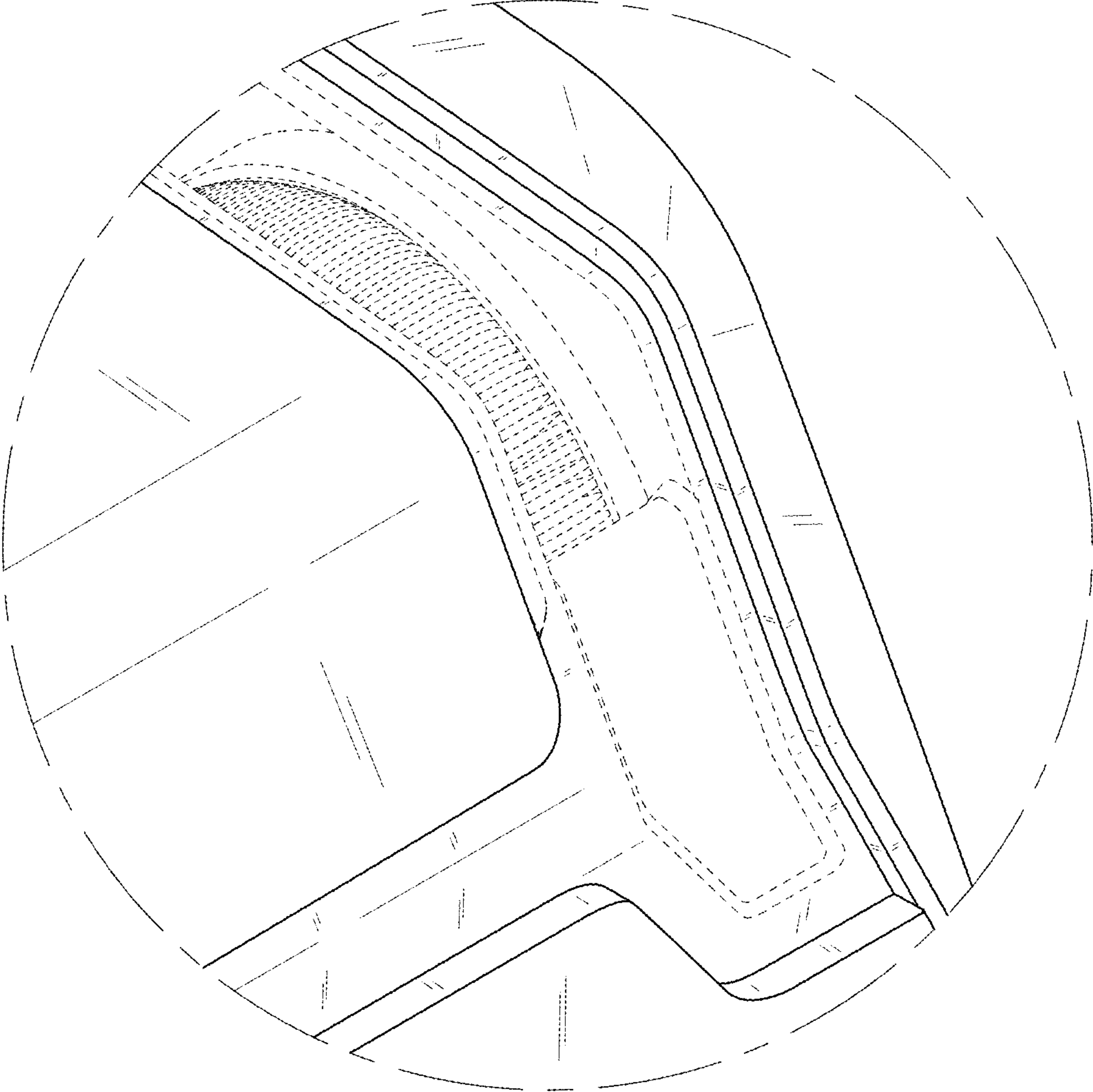


FIG. 9

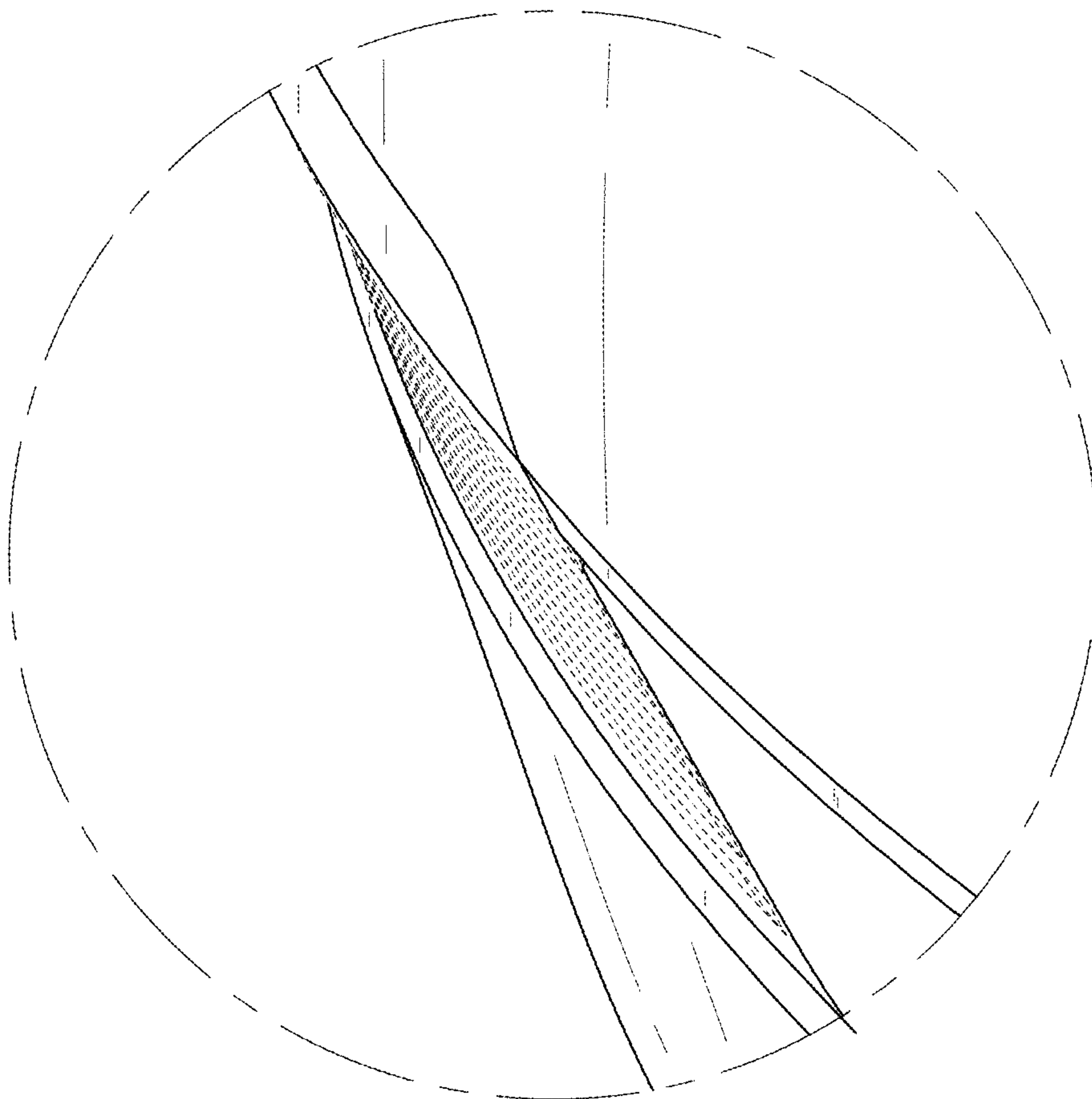


FIG. 10

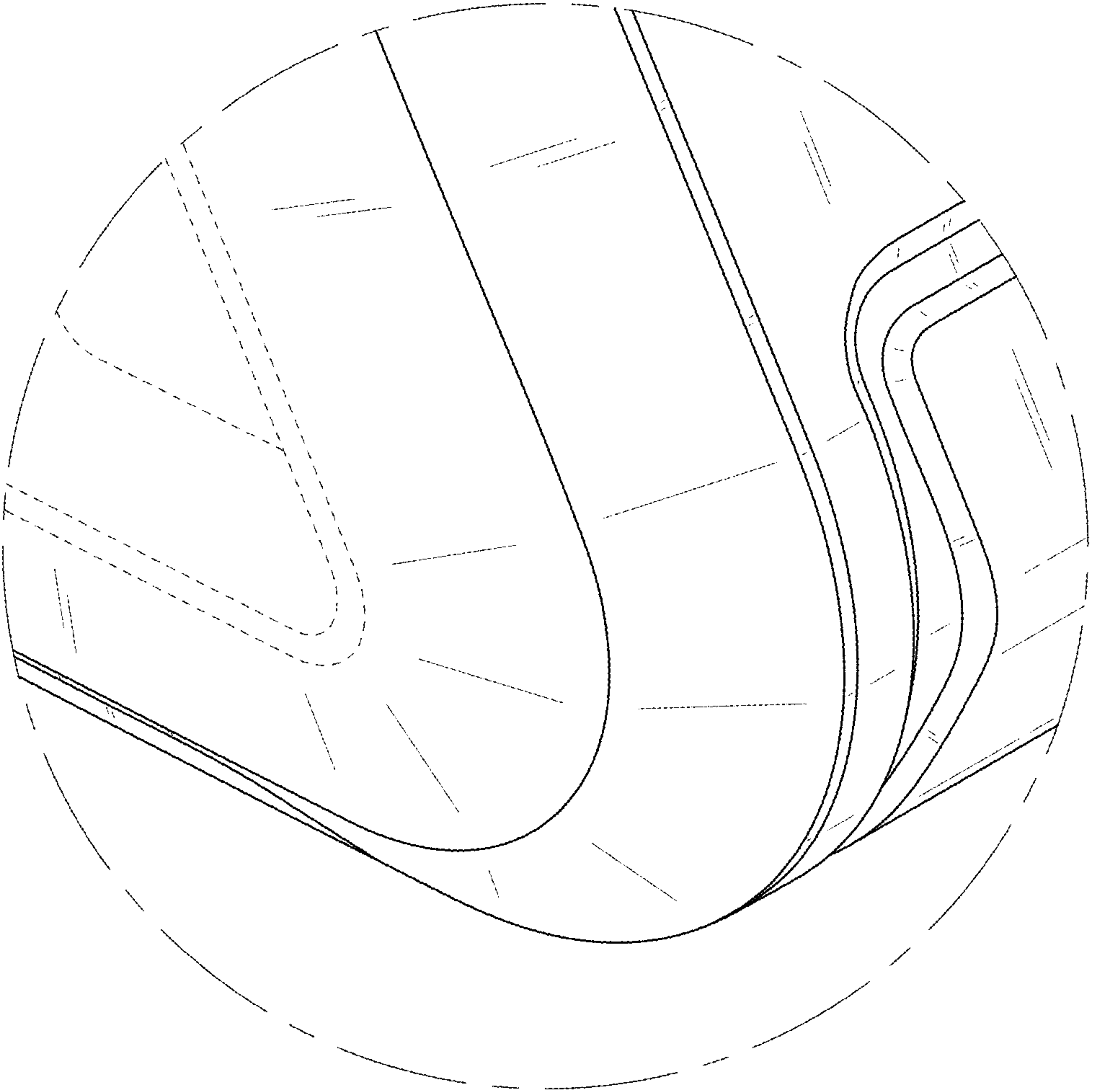


FIG. 11

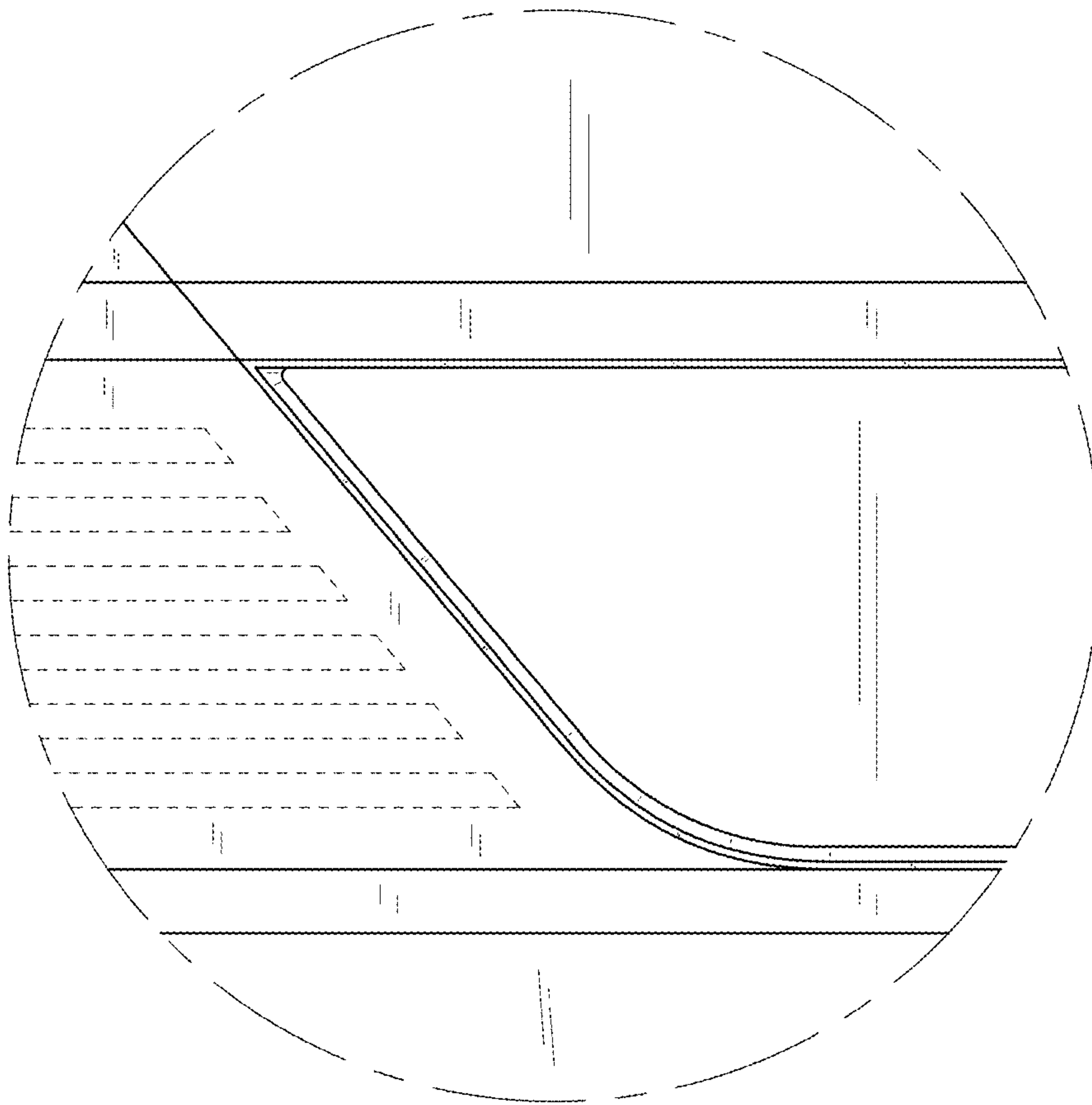


FIG. 12

