



US00D930298S

(12) **United States Design Patent**
Lee et al.

(10) **Patent No.:** **US D930,298 S**
(45) **Date of Patent:** **** Sep. 7, 2021**

(54) **ROBOT VACUUM CLEANER**
(71) Applicant: **SAMSUNG ELECTRONICS CO., LTD.**, Suwon-si (KR)
(72) Inventors: **Hwan-Dong Lee**, Suwon-si (KR); **Sang-Hoon Yoon**, Suwon-si (KR); **Jin-Sun Park**, Suwon-si (KR); **Jae-Ho Jang**, Suwon-si (KR); **Hyun-Woo Yoon**, Suwon-si (KR)
(73) Assignee: **SAMSUNG ELECTRONICS CO., LTD.**, Gyeonggi-Do (KR)

D593,265 S * 5/2009 Carr D32/21
D596,815 S * 7/2009 Baek D32/21
D601,315 S * 9/2009 Lee D32/21
D646,855 S * 10/2011 Kim D32/21
D653,823 S * 2/2012 Kim D32/21
8,239,992 B2 * 8/2012 Schnittman A47L 11/4011
15/41.1
D676,204 S * 2/2013 Kim D32/21
D713,609 S * 9/2014 Shin D32/21
D720,103 S * 12/2014 Haug D32/21
D737,006 S * 8/2015 Heck D32/21
D751,777 S * 3/2016 Cheon D32/21
D808,096 S * 1/2018 Yun D32/21
9,968,233 B2 * 5/2018 Strang A47L 11/4069
D822,923 S * 7/2018 Casini D32/21

(Continued)

(**) Term: **15 Years**

(21) Appl. No.: **29/735,876**
(22) Filed: **May 26, 2020**

(30) **Foreign Application Priority Data**
Nov. 28, 2019 (KR) 30-2019-0057229
(51) **LOC (13) Cl.** **15-05**
(52) **U.S. Cl.**
USPC **D32/21; D15/199**
(58) **Field of Classification Search**
USPC D15/199; D32/21, 23-24, 31; D34/34
CPC A47L 2201/00; A47L 2201/02; A47L 2201/04; A47L 2201/06; A47L 2201/0461; A47L 2201/2805; B25J 9/1694; E04H 4/1654
See application file for complete search history.

(56) **References Cited**
U.S. PATENT DOCUMENTS
D188,039 S * 5/1960 Descarries D32/31
D242,210 S * 11/1976 Parise D32/21
D548,411 S * 8/2007 Schroter D32/21
D548,902 S * 8/2007 Chun D32/21
D556,398 S * 11/2007 Shin D32/21

FOREIGN PATENT DOCUMENTS

CN 303288429 S 7/2015
CN 304705643 S 6/2018

(Continued)

Primary Examiner — Patricia A Palasik
(74) *Attorney, Agent, or Firm* — Cantor Colburn LLP

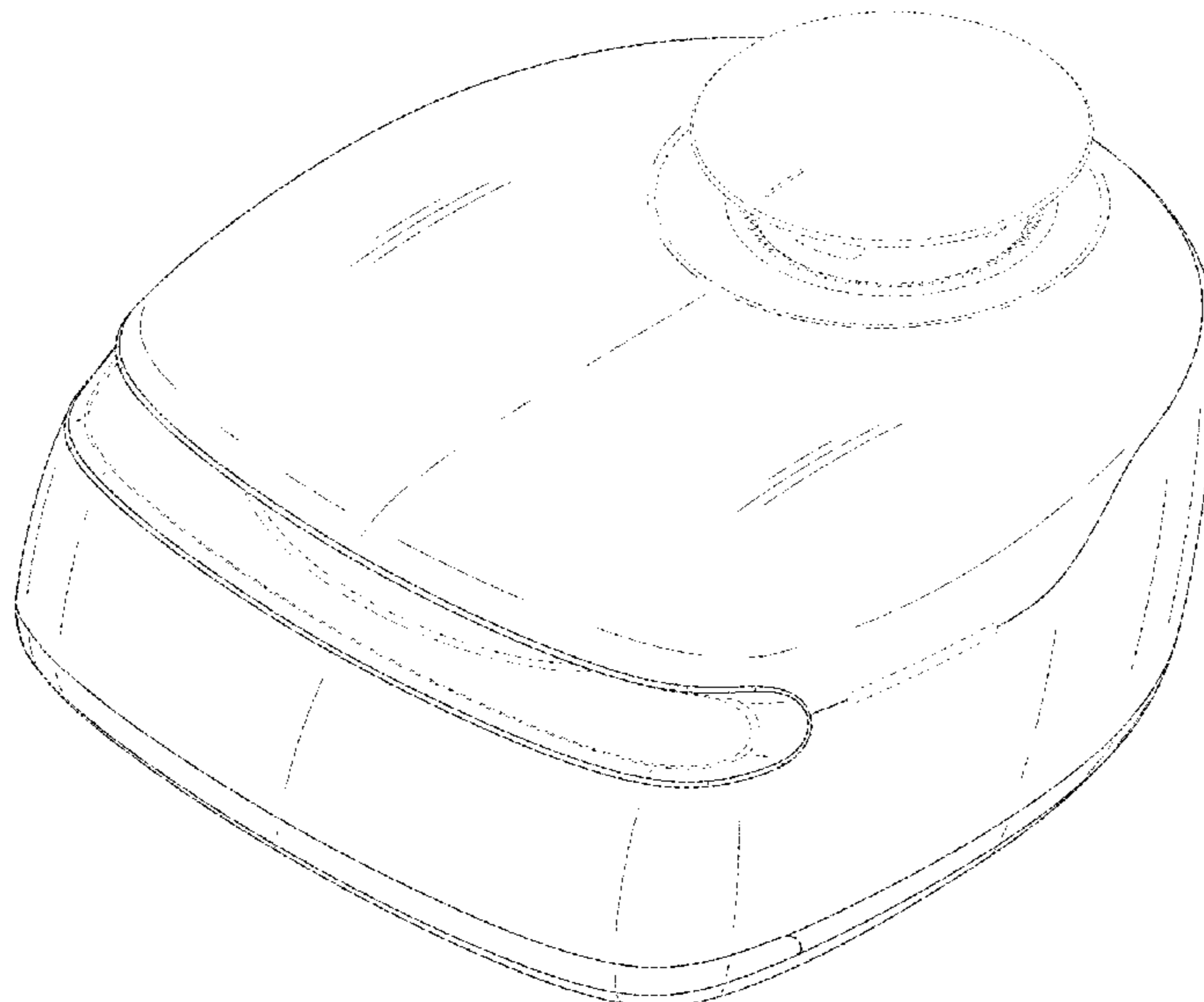
(57) **CLAIM**

The ornamental design for a robot vacuum cleaner, as shown and described.

DESCRIPTION

FIG. 1 is a front perspective view of a robot vacuum cleaner, showing our new design;
FIG. 2 is a front view thereof;
FIG. 3 is a rear view thereof;
FIG. 4 is a left-side view thereof;
FIG. 5 is a right-side view thereof;
FIG. 6 is a top view thereof; and,
FIG. 7 is a bottom view thereof.
The broken lines illustrating portions of the robot vacuum cleaner form no part of the claimed design.

1 Claim, 7 Drawing Sheets



(56)

References Cited

U.S. PATENT DOCUMENTS

D859,764 S * 9/2019 Sexton D32/21
D860,557 S * 9/2019 Gnielka D32/21
D860,558 S * 9/2019 Lee D32/21
D862,010 S * 10/2019 Smith D32/21
D867,701 S * 11/2019 Mi D32/31
D879,852 S * 3/2020 Chen D15/199
D899,475 S * 10/2020 Xiao D15/199
2017/0273526 A1 * 9/2017 Love A47L 9/1608
2018/0103812 A1 * 4/2018 Lee A47L 9/0653
2018/0284786 A1 * 10/2018 Moshkina-Martinson
A47L 9/2894
2018/0353039 A1 * 12/2018 Erkek A47L 9/2884
2018/0353043 A1 * 12/2018 Erkek A47L 7/0085
2018/0360281 A1 * 12/2018 Shin A47L 9/0494
2019/0270472 A1 * 9/2019 Akamatsu B62B 5/0093

FOREIGN PATENT DOCUMENTS

EM 000400270-0005 11/2005
EM 000400270-0005 11/2005
EM 001364939-0003 9/2015
EM 004085066-0008 7/2017

* cited by examiner

FIG. 1

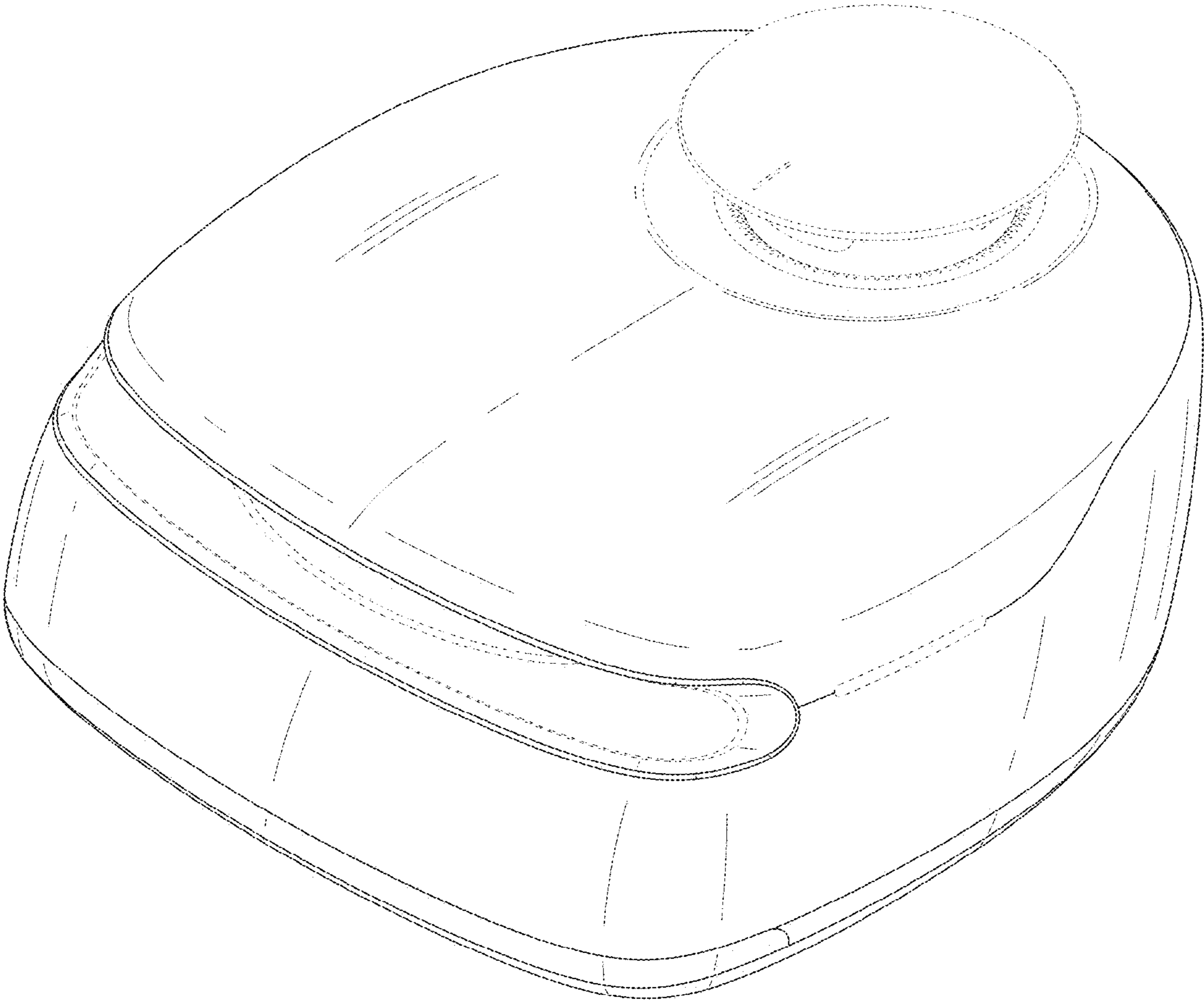


FIG. 2

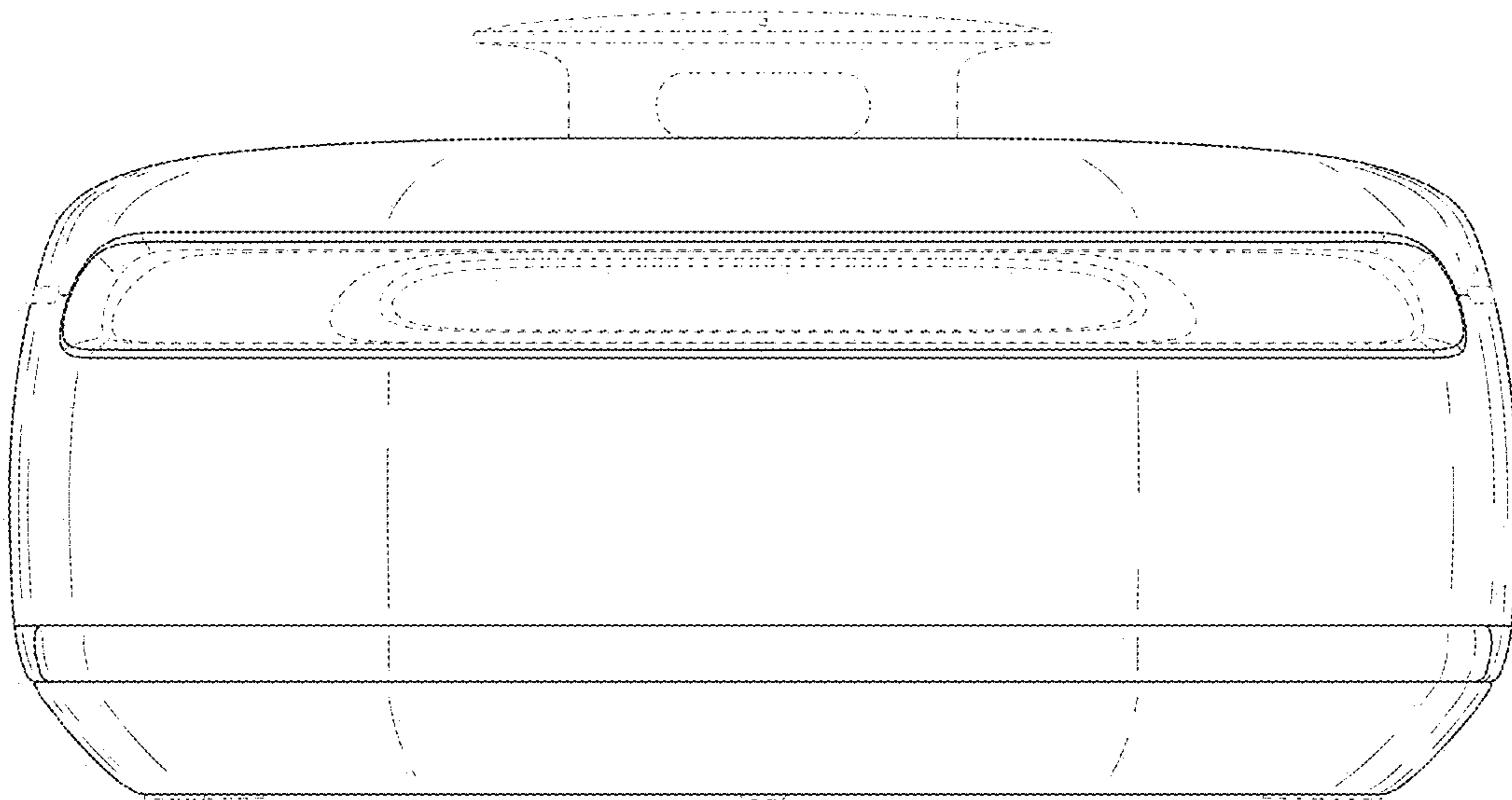


FIG. 3

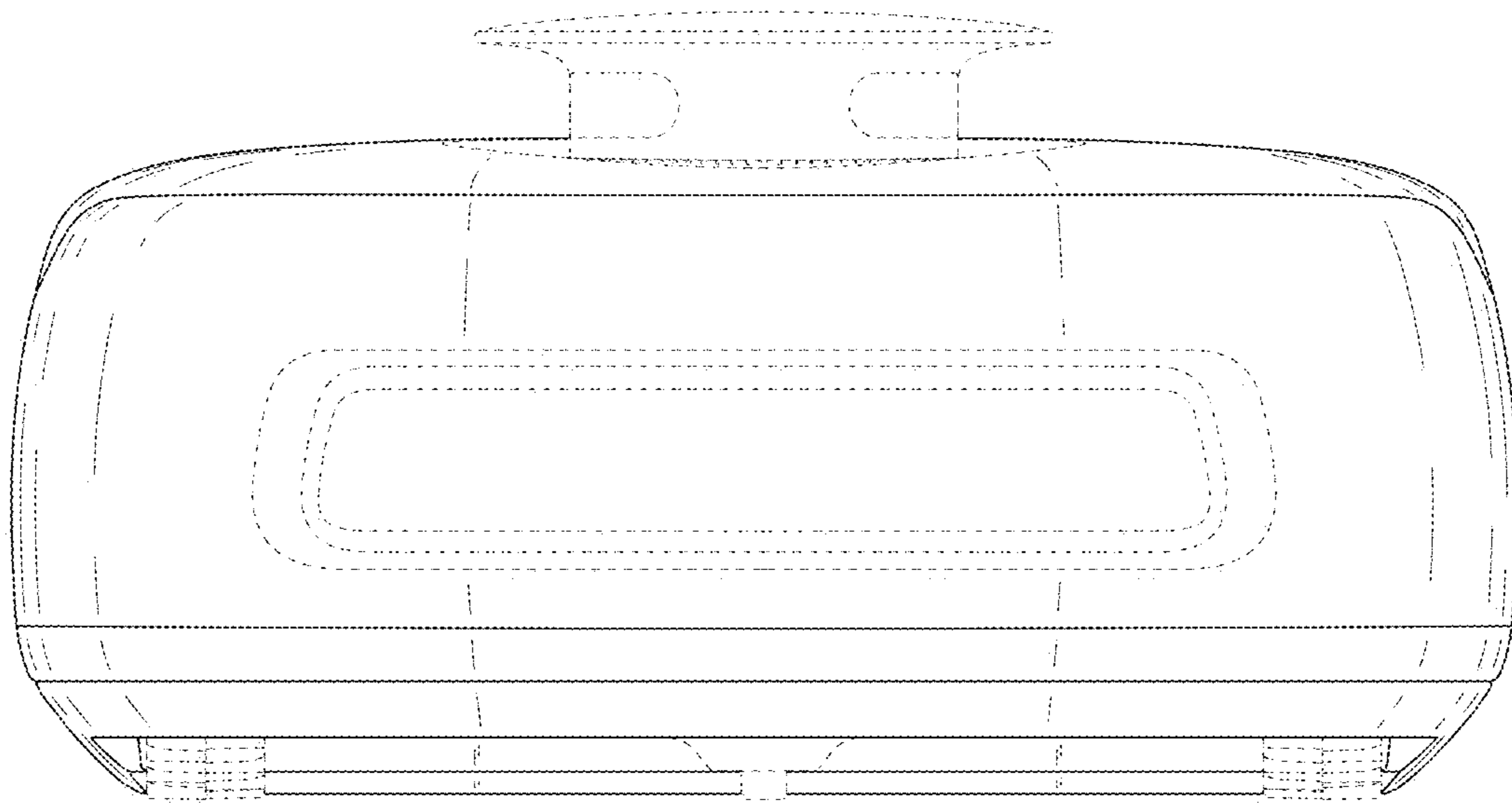


FIG. 4

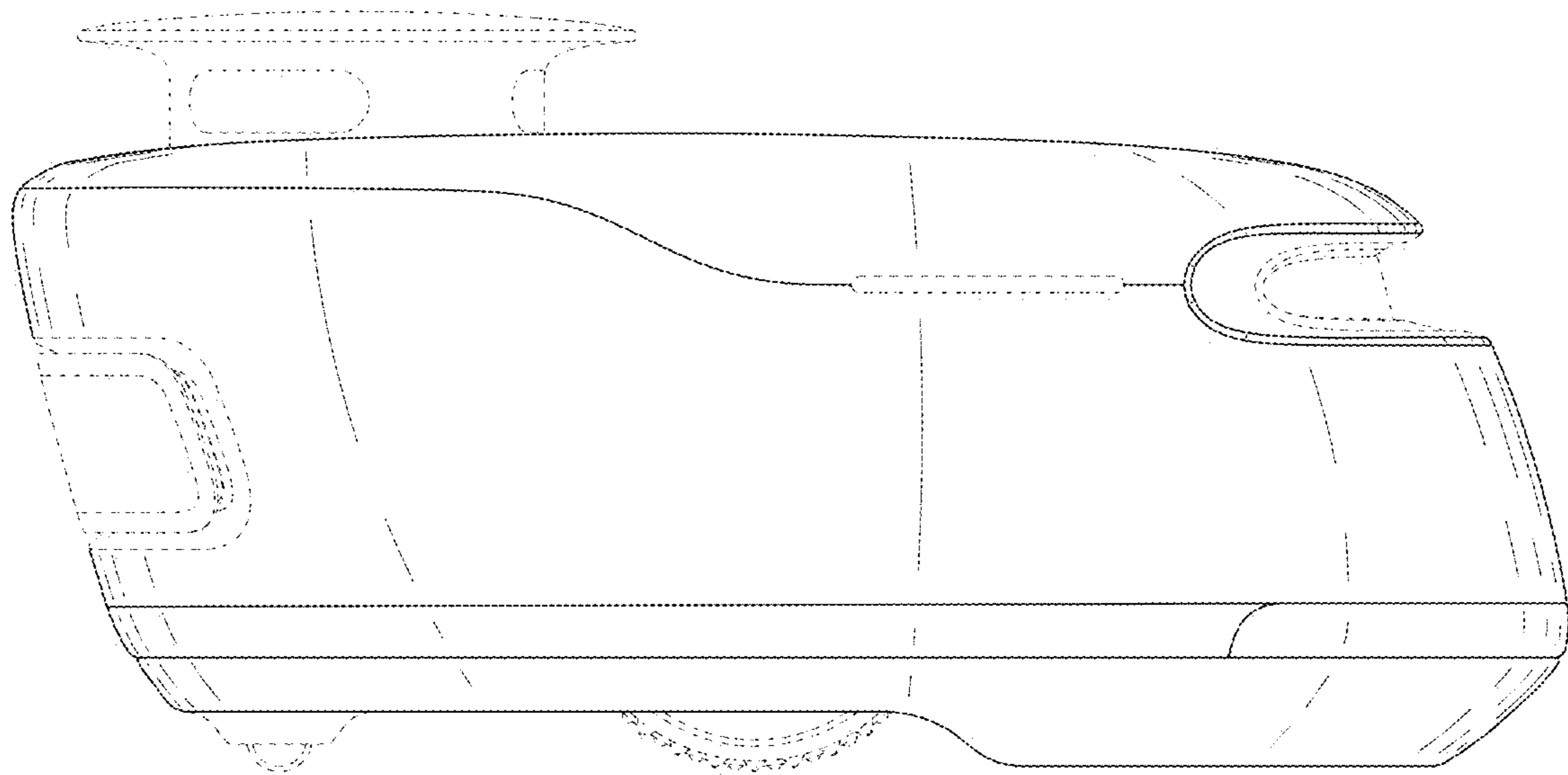


FIG. 5

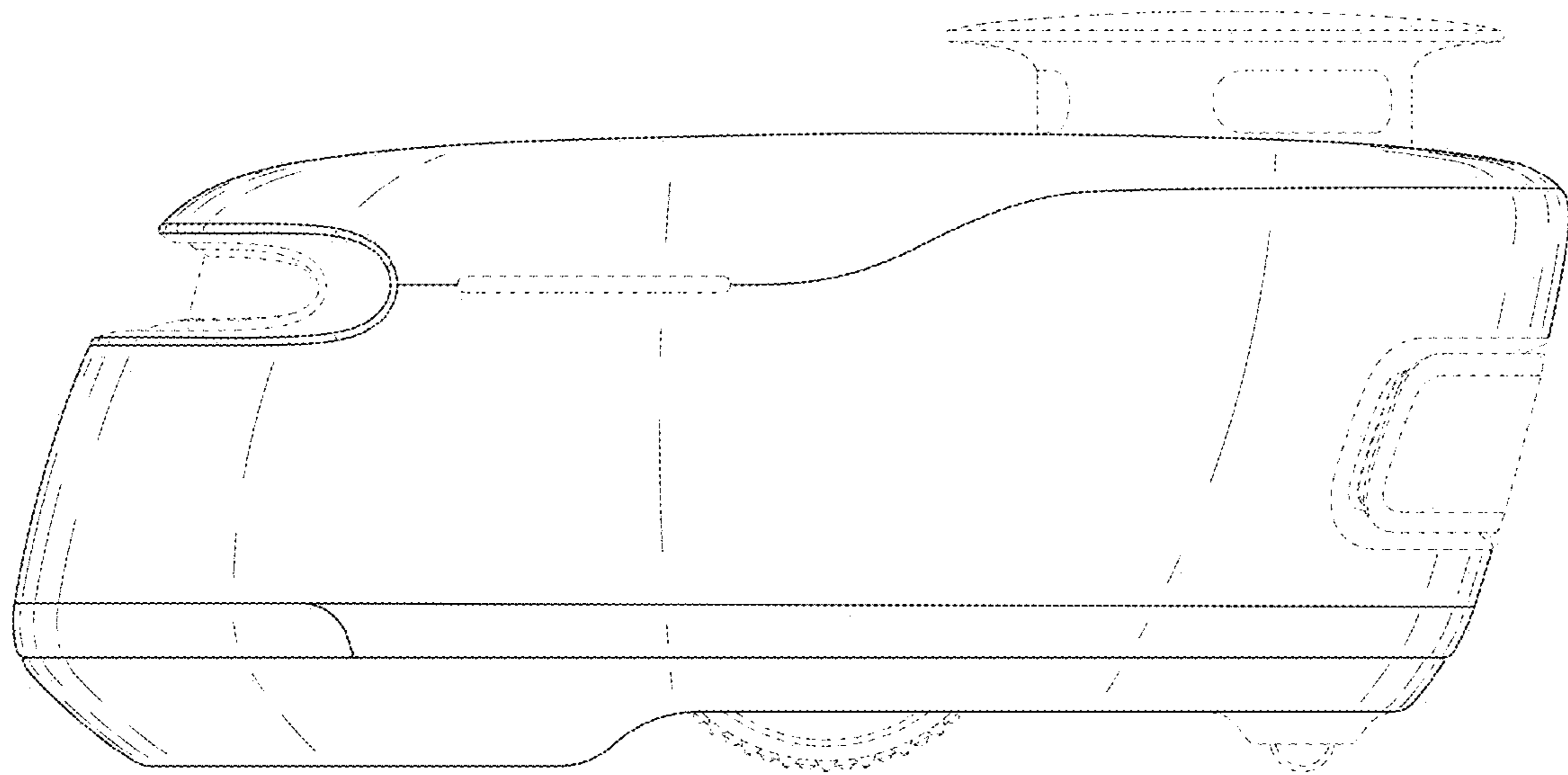


FIG. 6

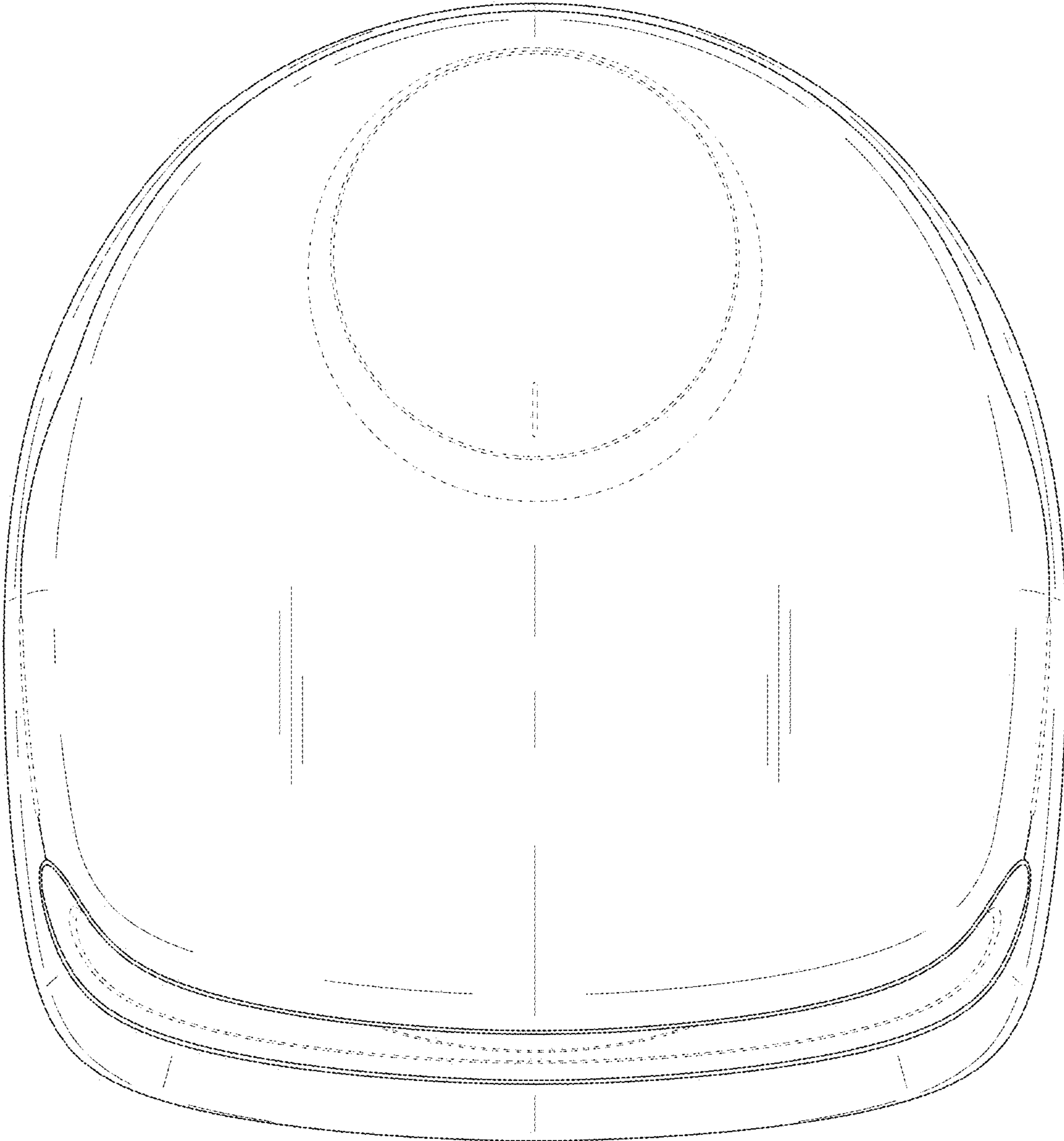


FIG. 7

