



US00D930297S

(12) **United States Design Patent** (10) **Patent No.:** **US D930,297 S**  
**Burgess et al.** (45) **Date of Patent:** **\*\* Sep. 7, 2021**

(54) **FLOOR CLEANER**

(71) Applicant: **TTi (Macao Commercial Offshore) Limited**, Macau (MO)

(72) Inventors: **Roderick Burgess**, Charlotte, NC (US);  
**Kevin Terry**, Charlotte, NC (US);  
**Robert Warren**, Charlotte, NC (US)

(73) Assignee: **Techtronic Floor Care Technology Limited**, Tortola (VG)

(\*\*) Term: **15 Years**

(21) Appl. No.: **29/681,676**

(22) Filed: **Feb. 27, 2019**

(51) **LOC (13) Cl.** ..... **15-05**

(52) **U.S. Cl.**  
USPC ..... **D32/21**

(58) **Field of Classification Search**  
USPC ..... D32/15, 17, 18, 21, 23, 24, 31; D21/526  
CPC ... A47L 5/24; A47L 5/225; A47L 5/28; A47L 5/30; A47L 5/34; A47L 5/362; A47L 5/365; A47L 9/0411; A47L 9/1409; A47L 9/1481; A47L 9/16; A47L 9/1608; A47L 9/1675; A47L 9/1683; A47L 9/1691; A47L 9/2852; A47L 9/32; A47L 9/322; A47L 9/325; A47L 11/20; A47L 11/24; A47L 11/26; A47L 11/28; A47L 11/30; A47L 11/302; A47L 11/34; A47L 11/4008; A47L 11/4011; A47L 11/4016; A47L 11/4036; A47L 11/4044; A47L 11/4052; A47L 11/4083; A47L 11/4088; A47L 13/225; A47L 2201/00; A47L 2201/022; A14L 7/0004; A14L 7/0095; B23Q 11/0046; B23Q 11/0071; B25D 16/00; B04C 1/00;

(Continued)

(56) **References Cited**

U.S. PATENT DOCUMENTS

D277,325 S \* 1/1985 Hug ..... D32/22  
4,517,705 A \* 5/1985 Hug ..... A47L 9/00  
15/351

(Continued)

FOREIGN PATENT DOCUMENTS

CA 548340 \* 3/1987  
CA 70757 \* 6/1992

(Continued)

OTHER PUBLICATIONS

Onepwr Hepa Cordless Upright Vacuum, available in hoover.com, customer review oldest date Nov. 2, 2020 [online], [site visited Nov. 16, 2020], Internet URL: <https://www.hoover.com/onepwr-hepaand-cordless-upright-vacuum-kit/BH55500PC.html> (Year: 2020).\*

(Continued)

*Primary Examiner* — Dana K Weiland  
*Assistant Examiner* — Jennylou M Binas  
(74) *Attorney, Agent, or Firm* — Michael Best & Friedrich LLP

(57) **CLAIM**

We claim the ornamental design for a floor cleaner, as shown and described.

**DESCRIPTION**

FIG. 1 is a perspective view of a floor cleaner showing the new design.  
FIG. 2 is a front view of the floor cleaner of FIG. 1.  
FIG. 3 is a back view of the floor cleaner of FIG. 1.  
FIG. 4 is a right side view of the floor cleaner of FIG. 1.  
FIG. 5 is a left side view of the floor cleaner of FIG. 1.

(Continued)

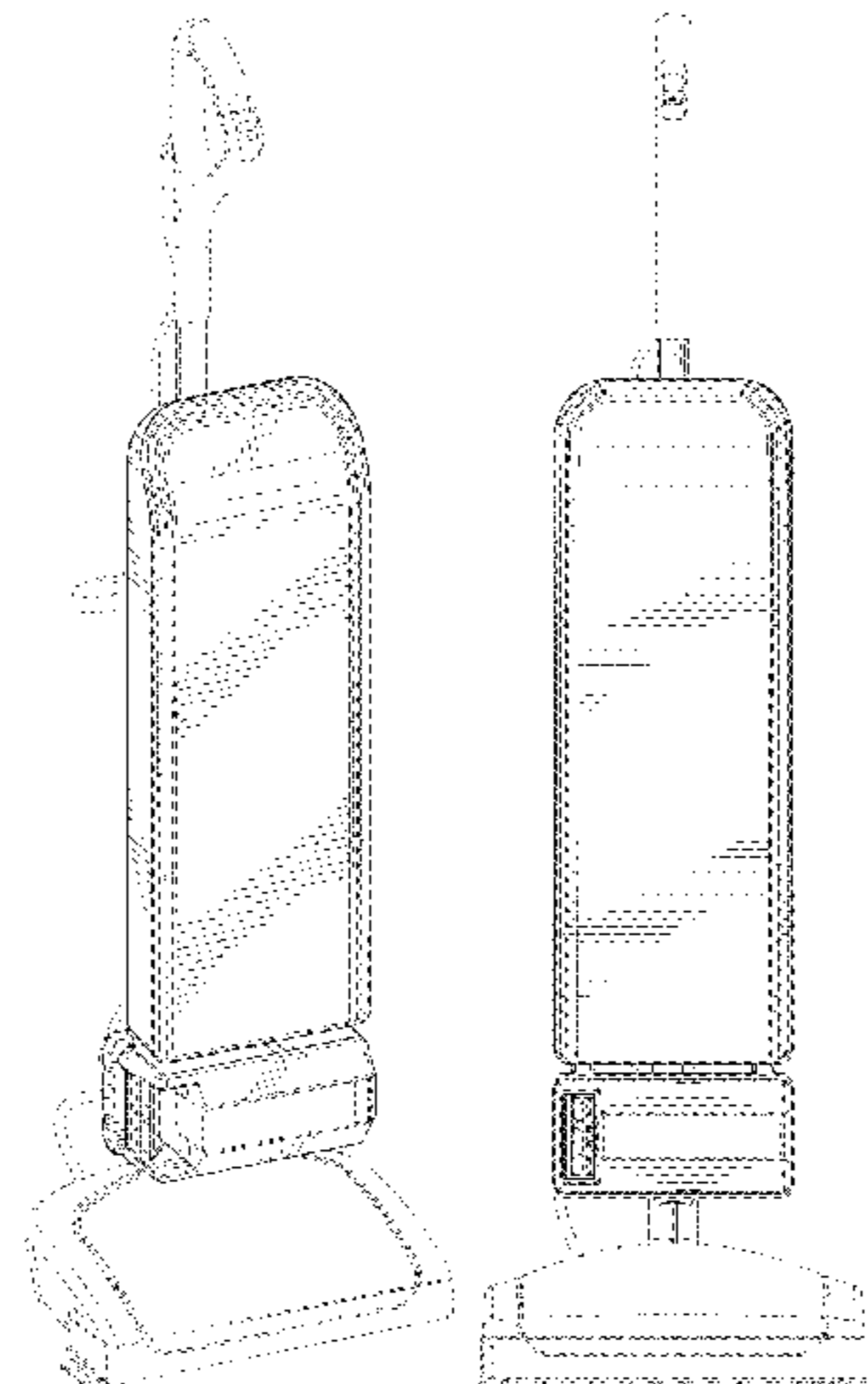


FIG. 6 is a top view of the floor cleaner of FIG. 1; and, FIG. 7 is a bottom view of the floor cleaner of FIG. 1. The elements shown in broken lines are included for the purpose of showing portions of the floor cleaner that form no part of the claimed design.

**1 Claim, 6 Drawing Sheets**

**(58) Field of Classification Search**

CPC ..... B04C 5/185; D01H 11/005; D01H 5/645; F26B 11/12; A46B 9/06

See application file for complete search history.

**(56) References Cited**

**U.S. PATENT DOCUMENTS**

D319,517	S	*	8/1991	Sovis	.....	D32/22
D338,295	S	*	8/1993	Kieft	.....	D32/31
D343,264	S	*	1/1994	Hoshino	.....	D32/31
D346,052	S	*	4/1994	Saunders	.....	D32/22
D346,053	S	*	4/1994	Hoshino	.....	D32/22
D346,469	S	*	4/1994	Furcron	.....	D32/22
D354,379	S	*	1/1995	Shinozaki	.....	D32/22
D361,181	S	*	8/1995	Wareham	.....	D32/31
D376,878	S	*	12/1996	Essex	.....	D32/31
5,632,060	A	*	5/1997	Steinberg	.....	A47L 5/30 15/339
D421,072	S	*	2/2000	Middledy	.....	D21/526
D449,139	S	*	10/2001	Paterson	.....	D32/31
D449,413	S	*	10/2001	Paterson	.....	D32/31
D449,907	S	*	10/2001	Paterson	.....	D32/31
D451,253	S	*	11/2001	Paterson	.....	D32/31
D452,984	S	*	1/2002	Paterson	.....	D32/31
D460,226	S	*	7/2002	Paterson	.....	D32/31
D493,925	S	*	8/2004	Paterson	.....	D32/31
D558,940	S	*	1/2008	Griffin	.....	D32/22

D566,913	S	*	4/2008	Griffin	.....	D32/22
D591,015	S	*	4/2009	Griffin	.....	D32/22
D617,511	S	*	6/2010	Griffin	.....	D32/22
D654,641	S	*	2/2012	Morgan	.....	D32/22
D738,053	S	*	9/2015	Kim	.....	D32/21
10,470,625	B2	*	11/2019	Burgess	.....	A47L 5/24
D870,995	S	*	12/2019	Burgess	.....	D32/22
2011/0078872	A1	*	4/2011	Crouch	.....	A47L 5/30 15/347
2020/0253446	A1	*	8/2020	Gilbert	.....	A47L 5/28
2021/0038042	A1	*	2/2021	Morgan	.....	A47L 9/2884

**FOREIGN PATENT DOCUMENTS**

CA	89787	*	6/2000
CA	123162	*	2/2009
CA	131310	*	2/2010
CN	304450302	*	1/2018
GB	2006700	*	7/1991

**OTHER PUBLICATIONS**

Oreck Elevate Cordless Vacuum, available in oreck.com, customer review oldest date Nov. 16, 2019 [online], [site visited Nov. 16, 2020], Internet URL: <https://www.oreck.com/elevate-cordless-vacuum/BK95519.html?cgid=uprights> (Year: 2019).\*

Oreck HEPA Cordless Upright Bagged Vacuum Cleaner, available in Amazon.com, customer review oldest date Jul. 8, 2020 [online ], [site visited Nov. 16, 2020], Available from the internet URL: [https://www.amazon.com/dp/B085WNKKD5/ref=cm\\_sw\\_r\\_em\\_apa\\_i\\_vb5KFbH81EB6S](https://www.amazon.com/dp/B085WNKKD5/ref=cm_sw_r_em_apa_i_vb5KFbH81EB6S) (Year: 2020).\*

Oreck Commercial Upright Vacuum Cleaner, available in Amazon.com, customer review oldest date Aug. 12, 2016 [online], [site visited Nov. 16, 2020], Available from the internet URL: [https://www.amazon.com/dp/B001NDNV18/ref=cm\\_sw\\_r\\_em\\_apa\\_i\\_tXplFbA33WHWV](https://www.amazon.com/dp/B001NDNV18/ref=cm_sw_r_em_apa_i_tXplFbA33WHWV) (Year: 2016).\*

\* cited by examiner

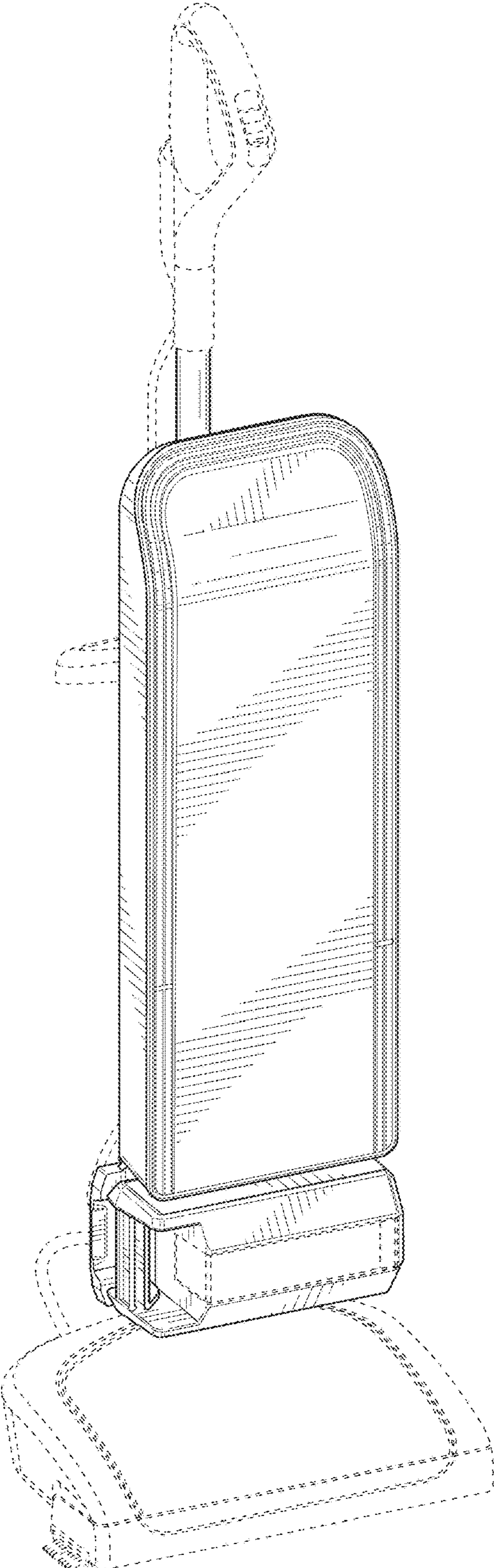


FIG. 1

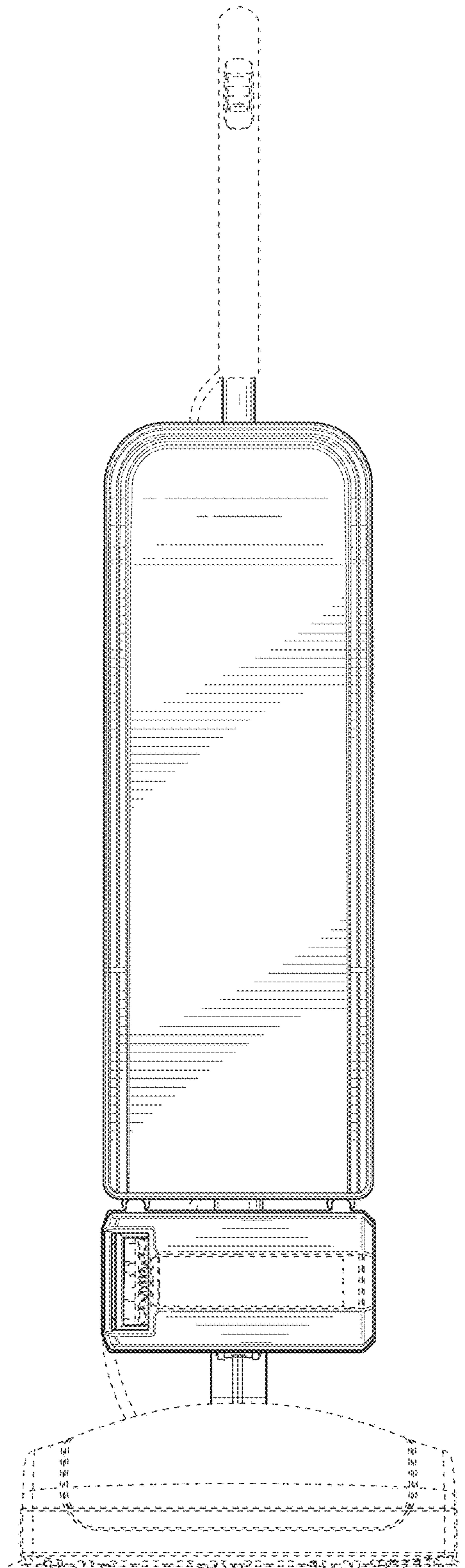


FIG. 2

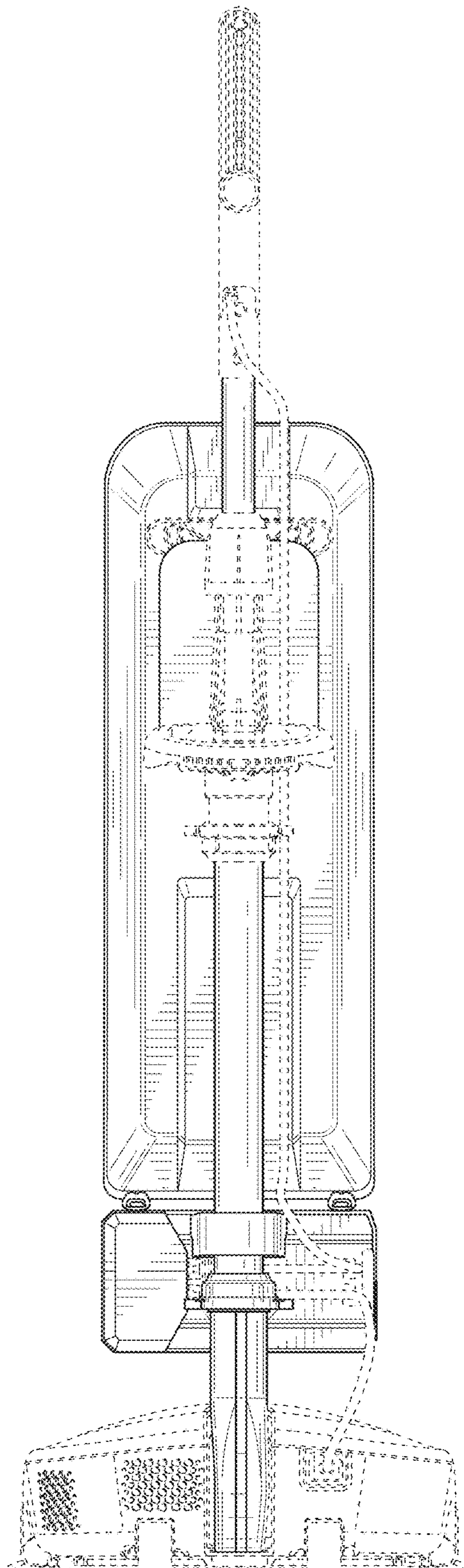


FIG. 3

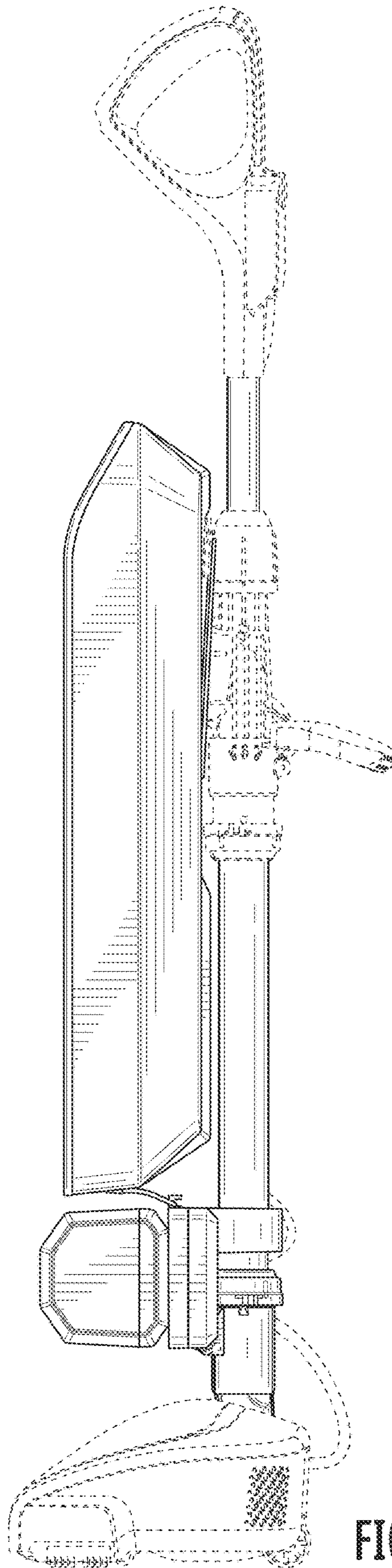


FIG. 4

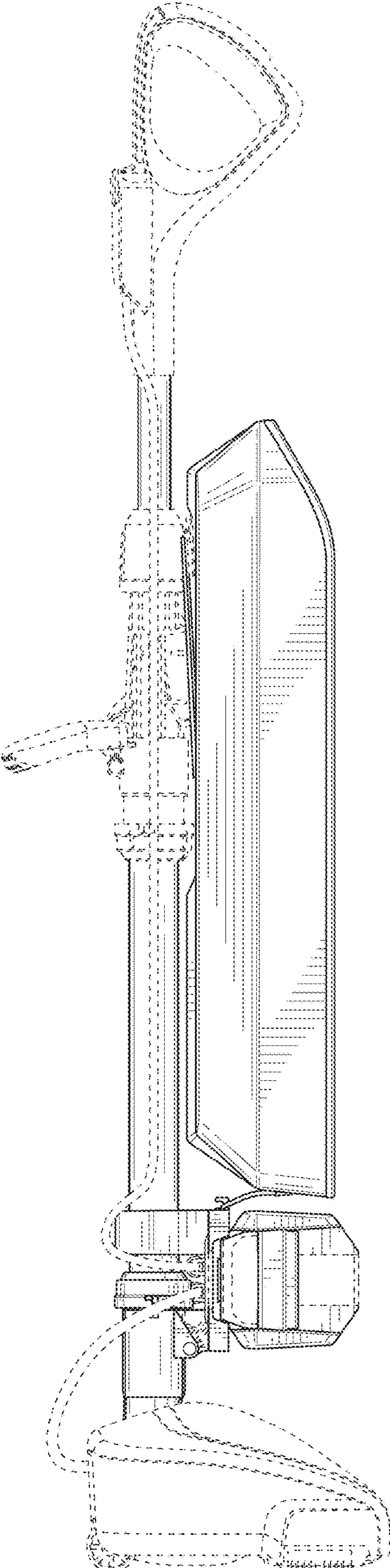


FIG. 5

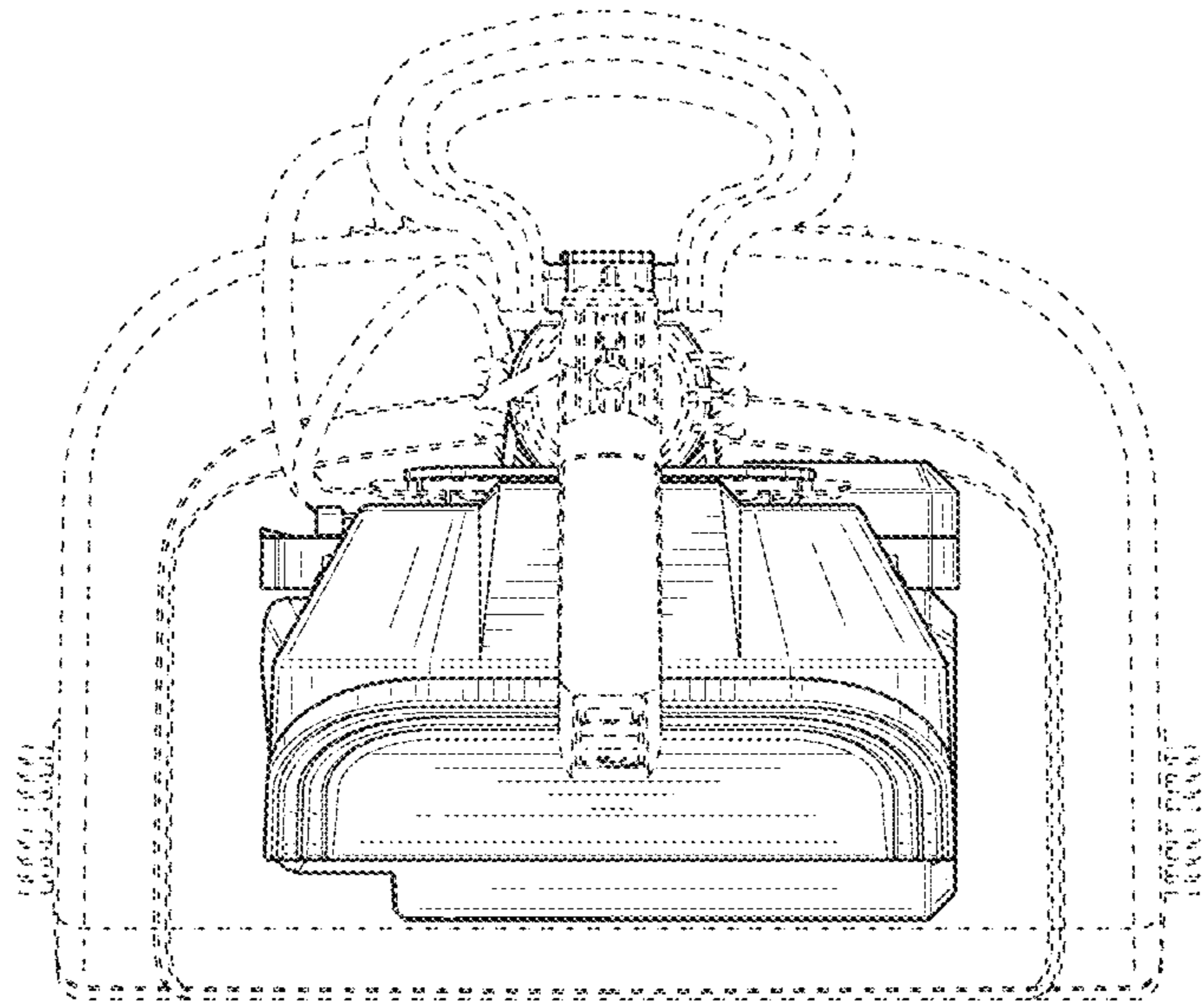


FIG. 6

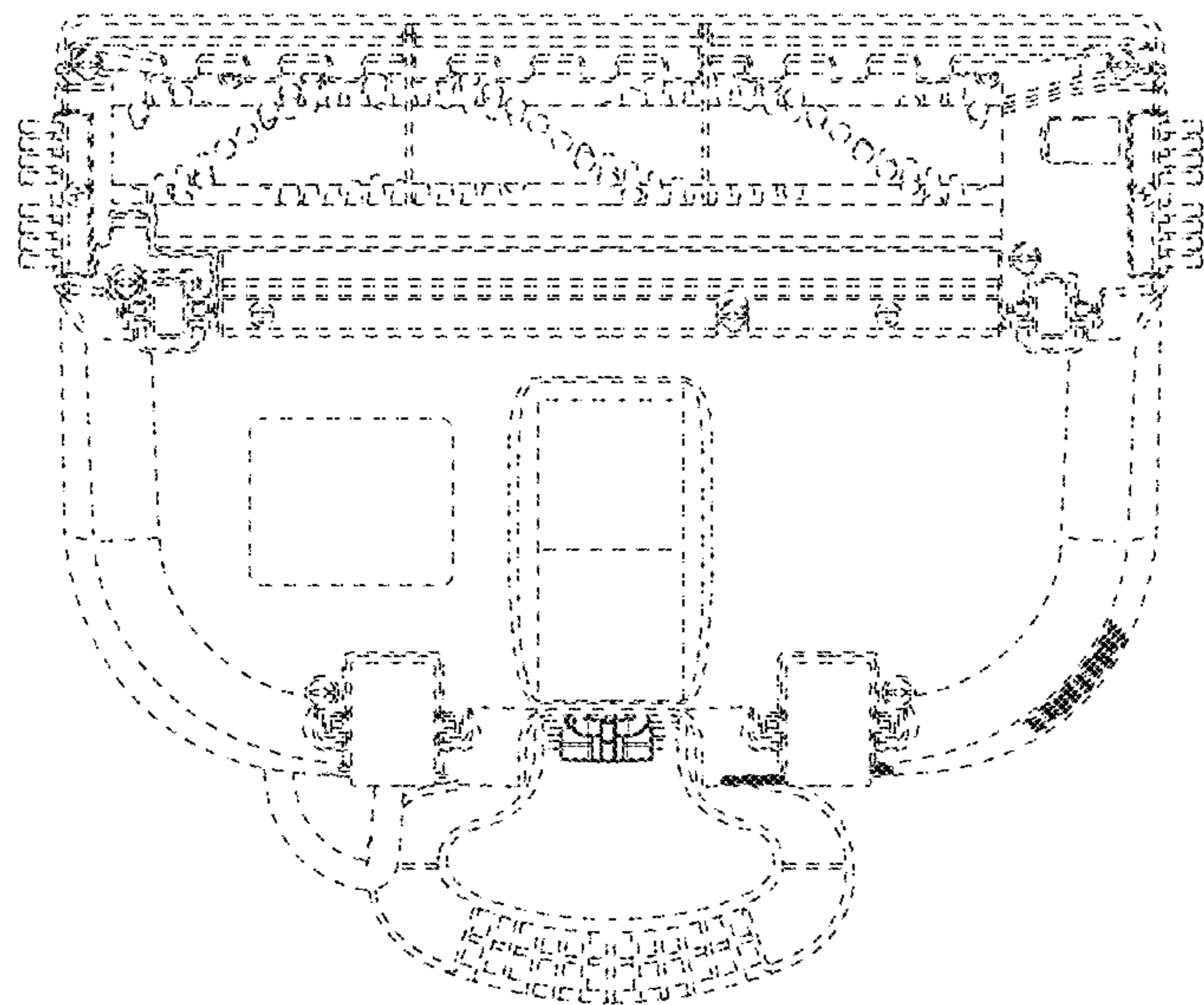


FIG. 7