



US00D930296S

(12) **United States Design Patent**
Song

(10) **Patent No.:** **US D930,296 S**

(45) **Date of Patent:** **** Sep. 7, 2021**

(54) **VACUUM CLEANER**

(71) Applicant: **Jiazhe Song, Yuyao (CN)**

(72) Inventor: **Jiazhe Song, Yuyao (CN)**

(**) Term: **15 Years**

(21) Appl. No.: **29/740,088**

(22) Filed: **Jul. 1, 2020**

(51) **LOC (13) Cl.** **15-05**

(52) **U.S. Cl.**
USPC **D32/18**

(58) **Field of Classification Search**
USPC D32/17, 18, 21, 23, 24, 31, 34, 22
CPC A47L 5/26; A47L 5/28; A47L 5/36; A47L
5/362; A47L 9/102; A47L 9/1683; A47L
9/32; A47L 5/225; A47L 5/24; A47L
9/106; A47L 9/149
See application file for complete search history.

(56) **References Cited**

U.S. PATENT DOCUMENTS

D789,633 S *	6/2017	Meyer	D32/31
9,675,218 B2 *	6/2017	Kim	A47L 5/24
D792,040 S *	7/2017	Meyer	D32/22
D806,331 S *	12/2017	Chu	D32/18
D869,795 S *	12/2019	Wang	D32/18
D876,034 S *	2/2020	Zhou	D32/18
D876,736 S	2/2020	Ninomiya et al.		
D880,086 S *	3/2020	Tan	D32/18
D891,014 S	7/2020	Chu		
D901,109 S	11/2020	Chen		
D922,010 S *	6/2021	Lin	D32/18
2019/0150685 A1 *	5/2019	Abe	A47L 5/225
2019/0174984 A1 *	6/2019	Machida	A47L 9/242

2020/0069128 A1 *	3/2020	Cho	A47L 9/106
2020/0069131 A1 *	3/2020	Jung	A47L 5/26
2020/0245833 A1 *	8/2020	Lee	A47L 9/1683
2020/0405109 A1 *	12/2020	Okitsu	A47L 9/1683
2021/0045596 A1 *	2/2021	Conrad	A47L 9/1608
2021/0052121 A1 *	2/2021	Kim	A47L 9/149
2021/0052123 A1 *	2/2021	Tanaka	A47L 9/16
2021/0068603 A1 *	3/2021	Cho	A47L 5/24

OTHER PUBLICATIONS

China Stick Vacuum Cleaners Supplier (on-line), dated Feb. 16, 2019. Retrieved from Internet Apr. 12, 2021, URL: <https://web.archive.org/web/20190216143345/https://www.sgvacuumcleaner.com/product/vacuum-cleaner/stick-vacuum-cleaner-vc198.html> (3 pages) (Year: 2019).*

* cited by examiner

Primary Examiner — Kimberly Barnes

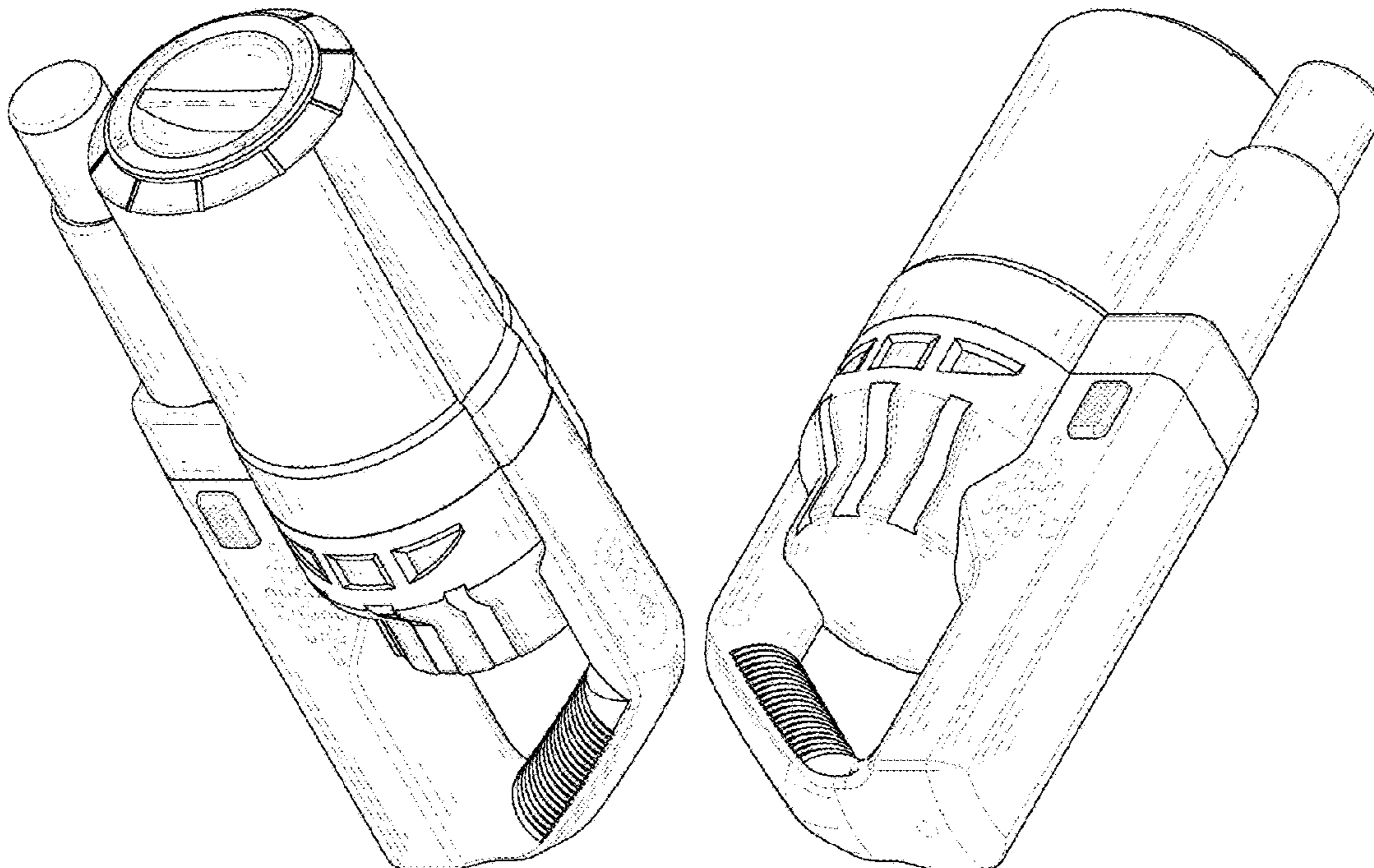
(57) **CLAIM**

The ornamental design for a vacuum cleaner, as shown and described.

DESCRIPTION

FIG. 1 is a first perspective view of a vacuum cleaner showing my new design;
FIG. 2 is a second perspective view thereof;
FIG. 3 is a front view thereof;
FIG. 4 is a back view thereof;
FIG. 5 is a left side view thereof;
FIG. 6 is a right side view thereof;
FIG. 7 is a top view thereof; and,
FIG. 8 is a bottom view thereof.
The broken lines shown in the drawings depict portions of the vacuum cleaner that form no part of the claimed design.

1 Claim, 8 Drawing Sheets



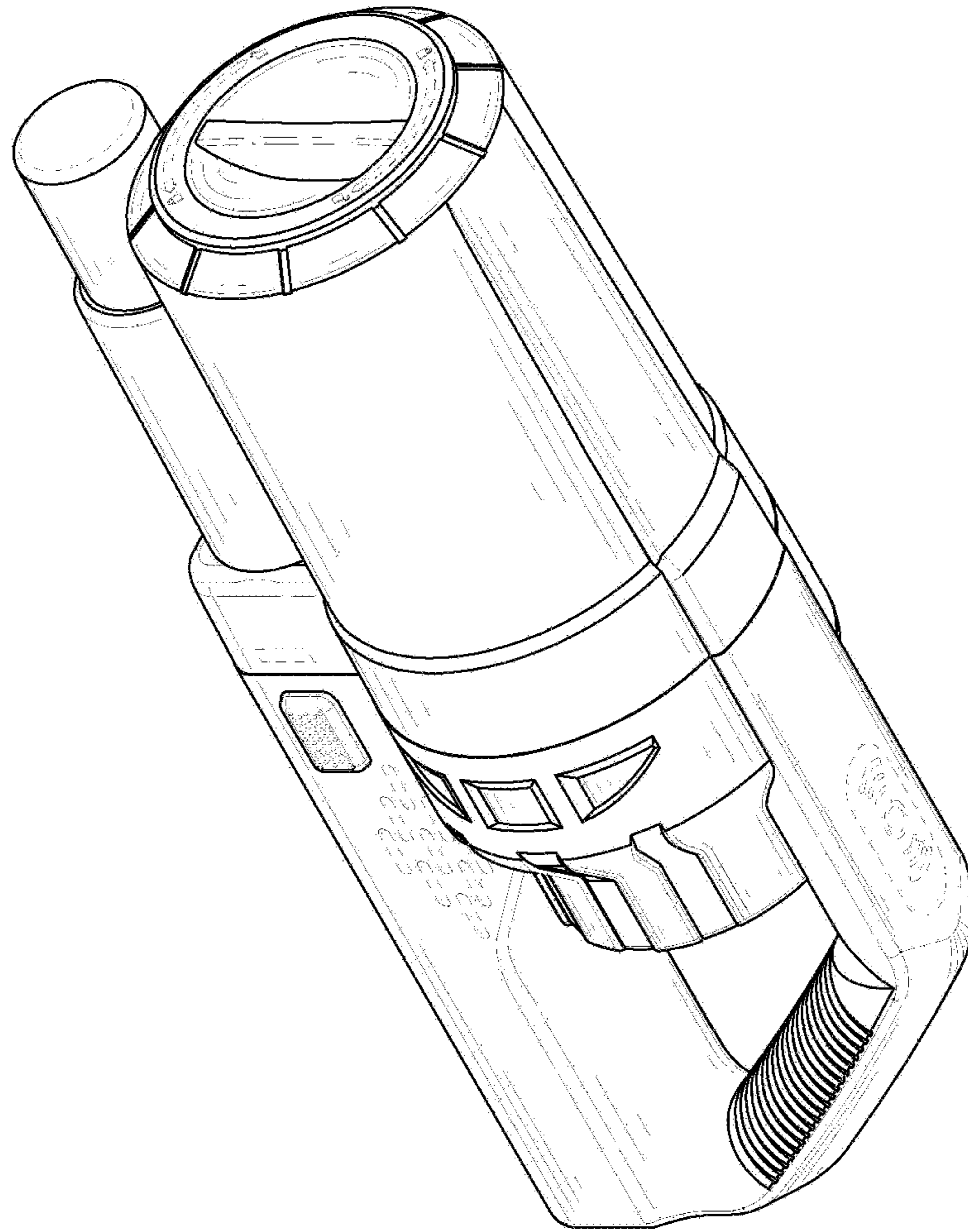


FIG. 1

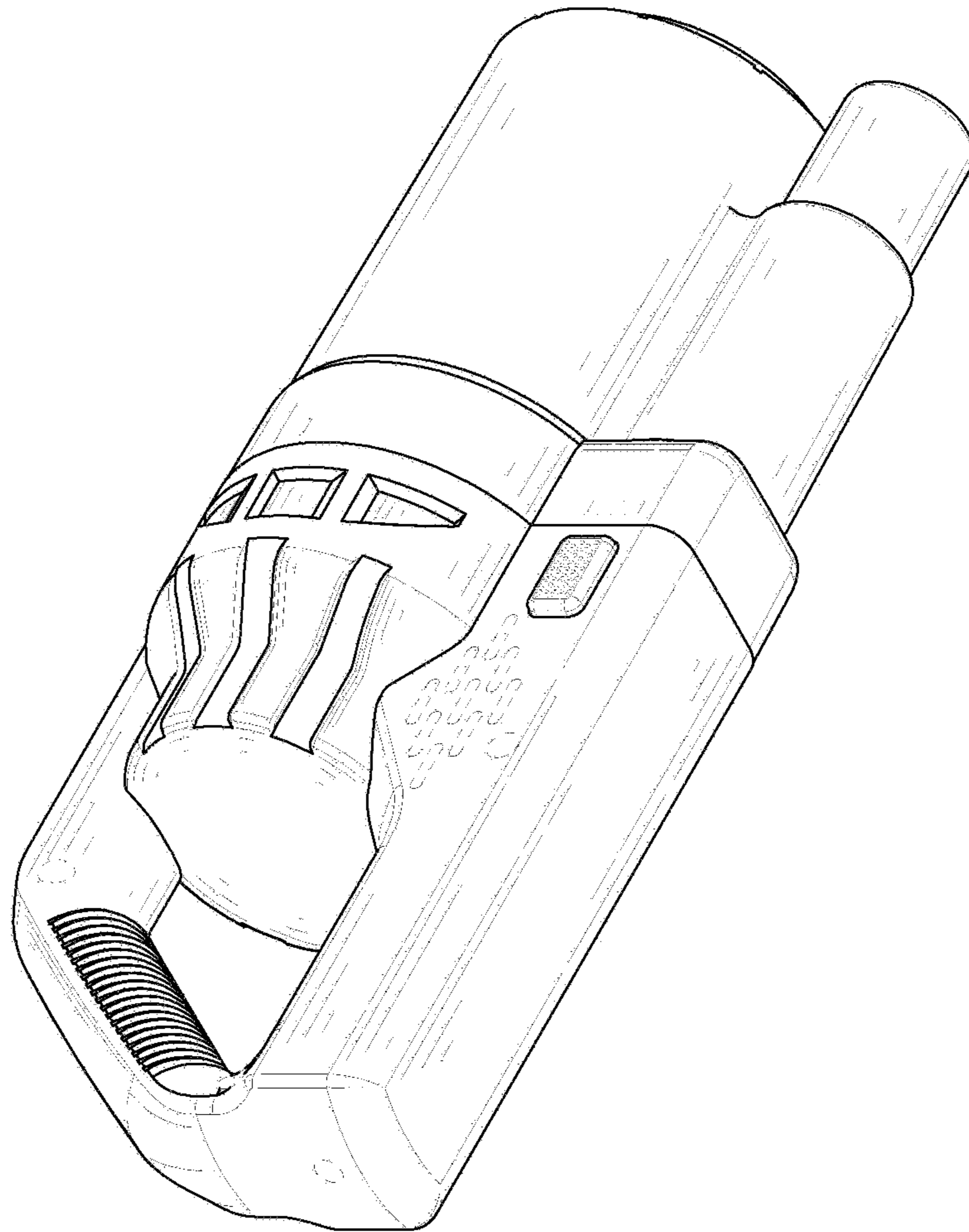


FIG. 2

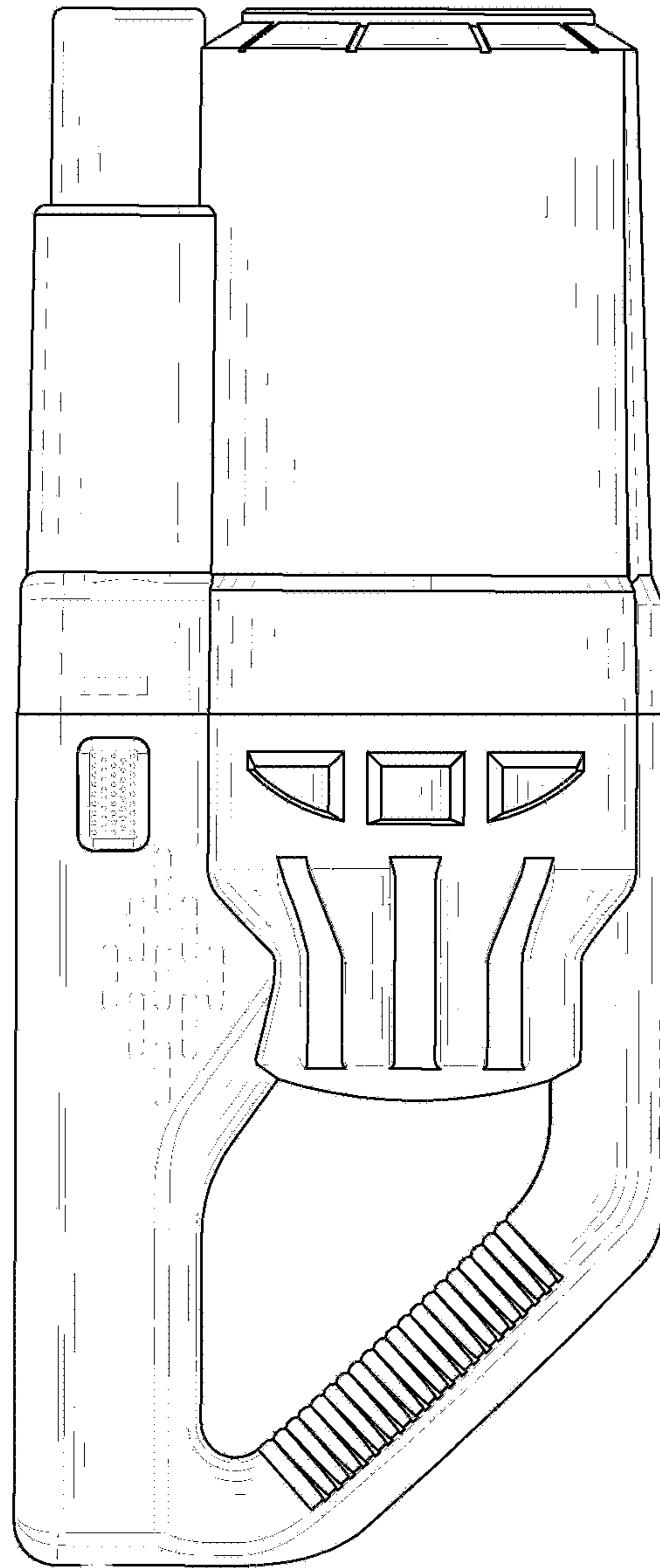


FIG. 3

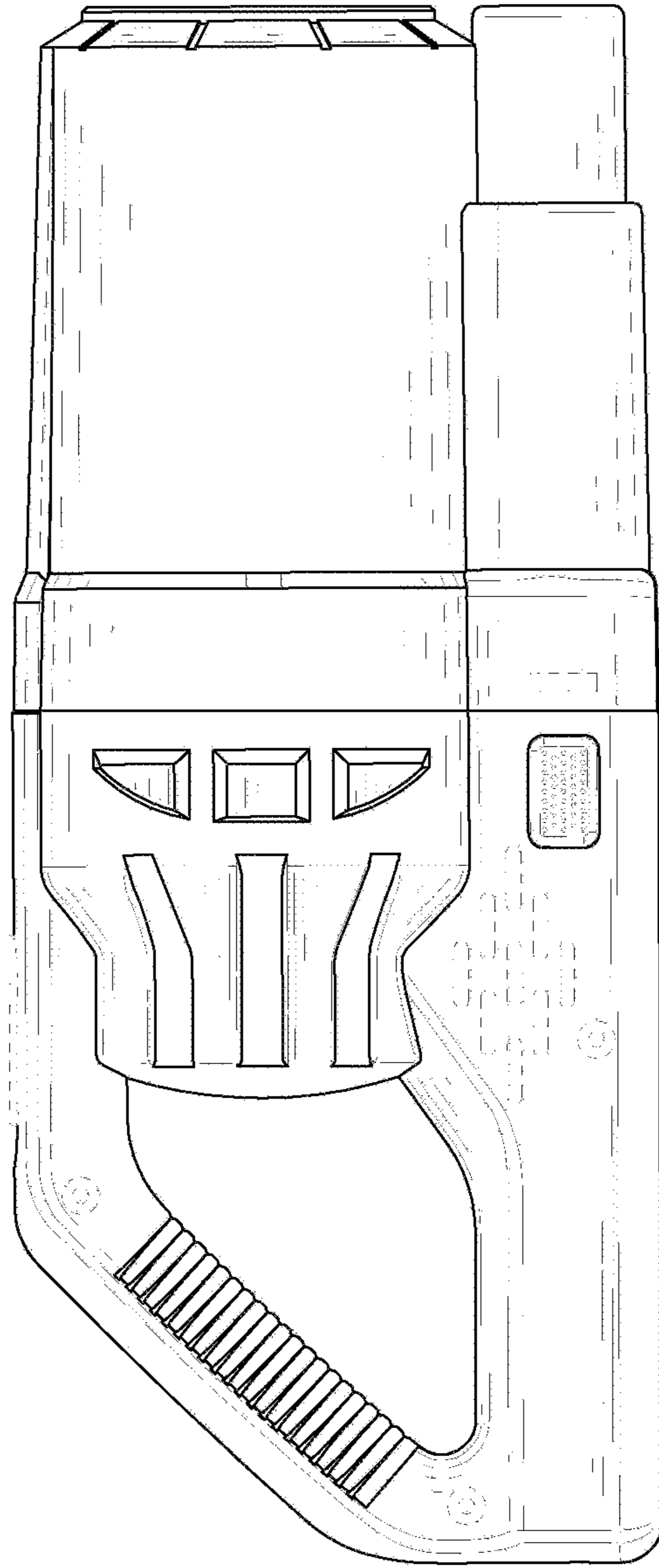


FIG. 4

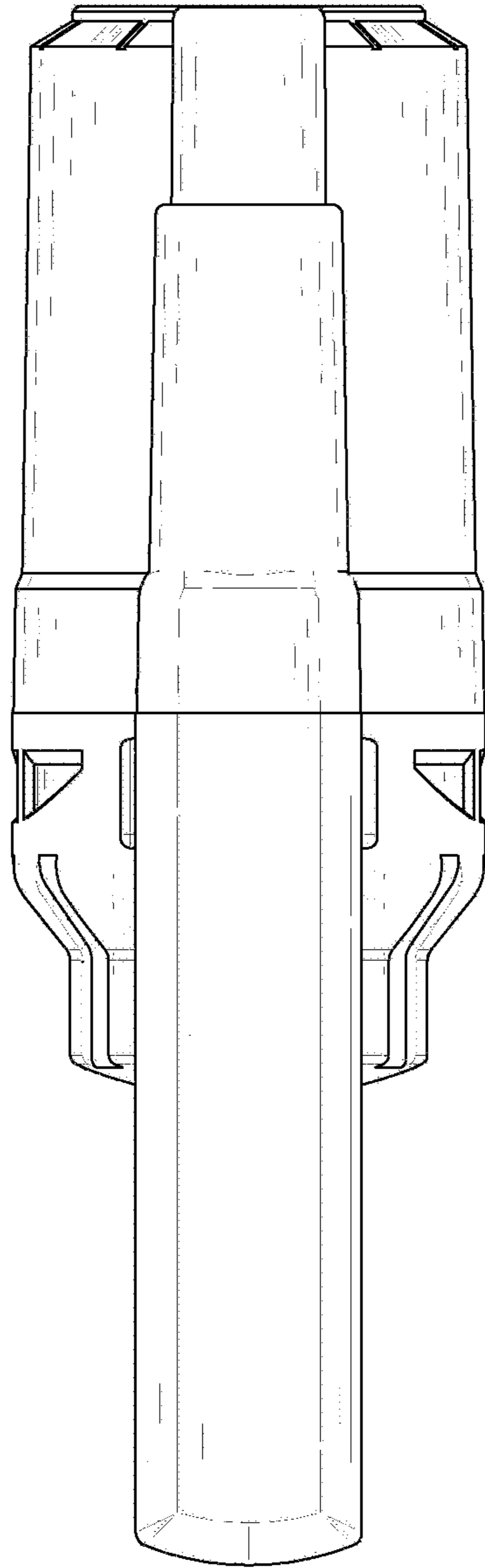


FIG. 5

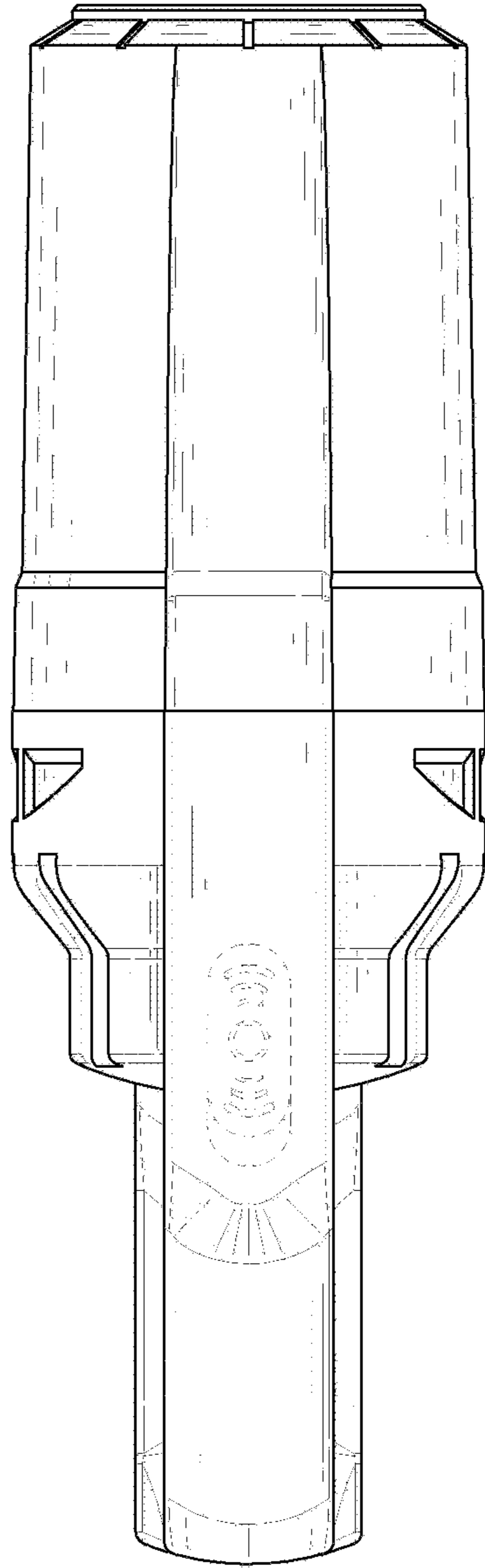


FIG. 6

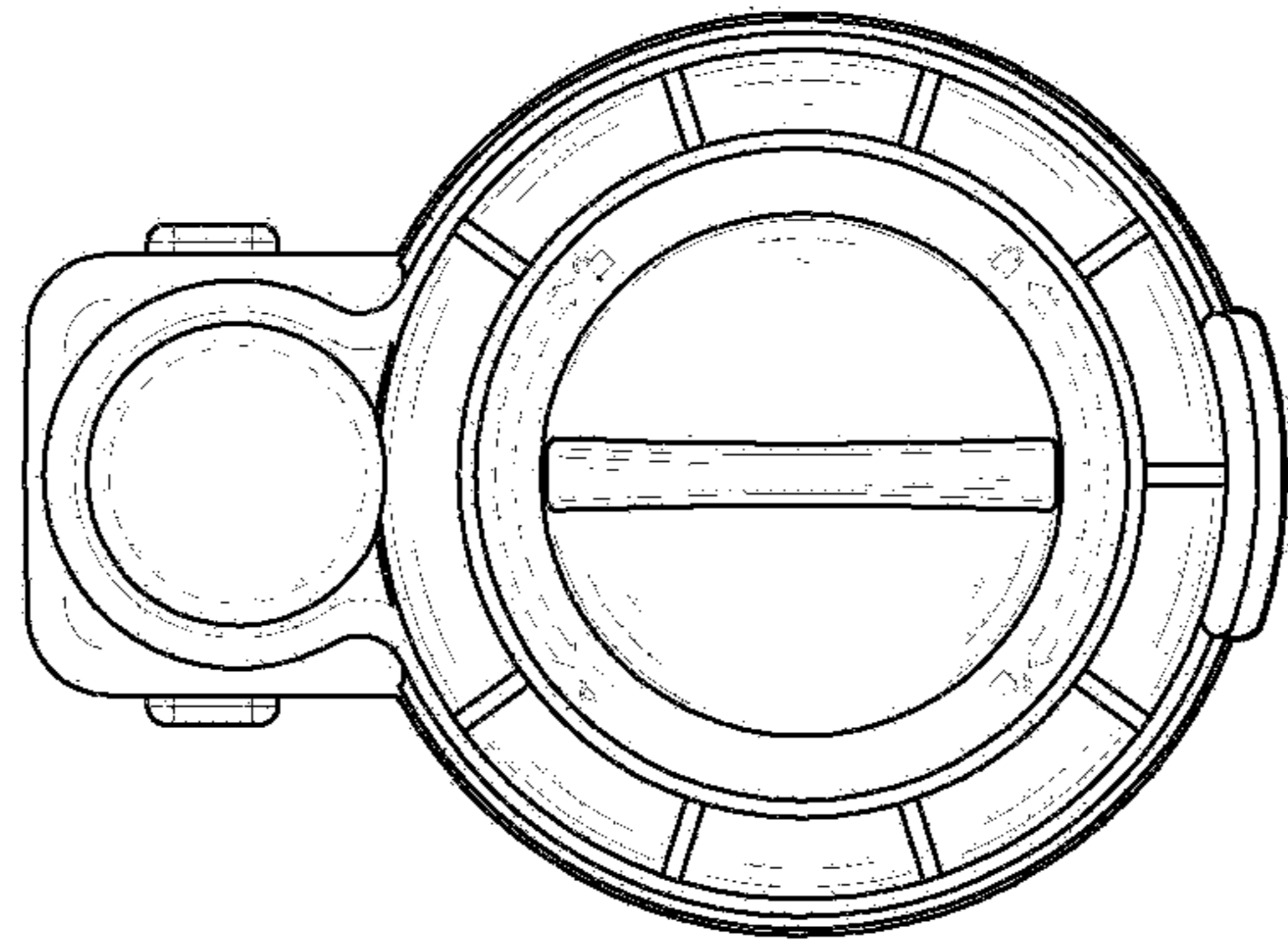


FIG. 7

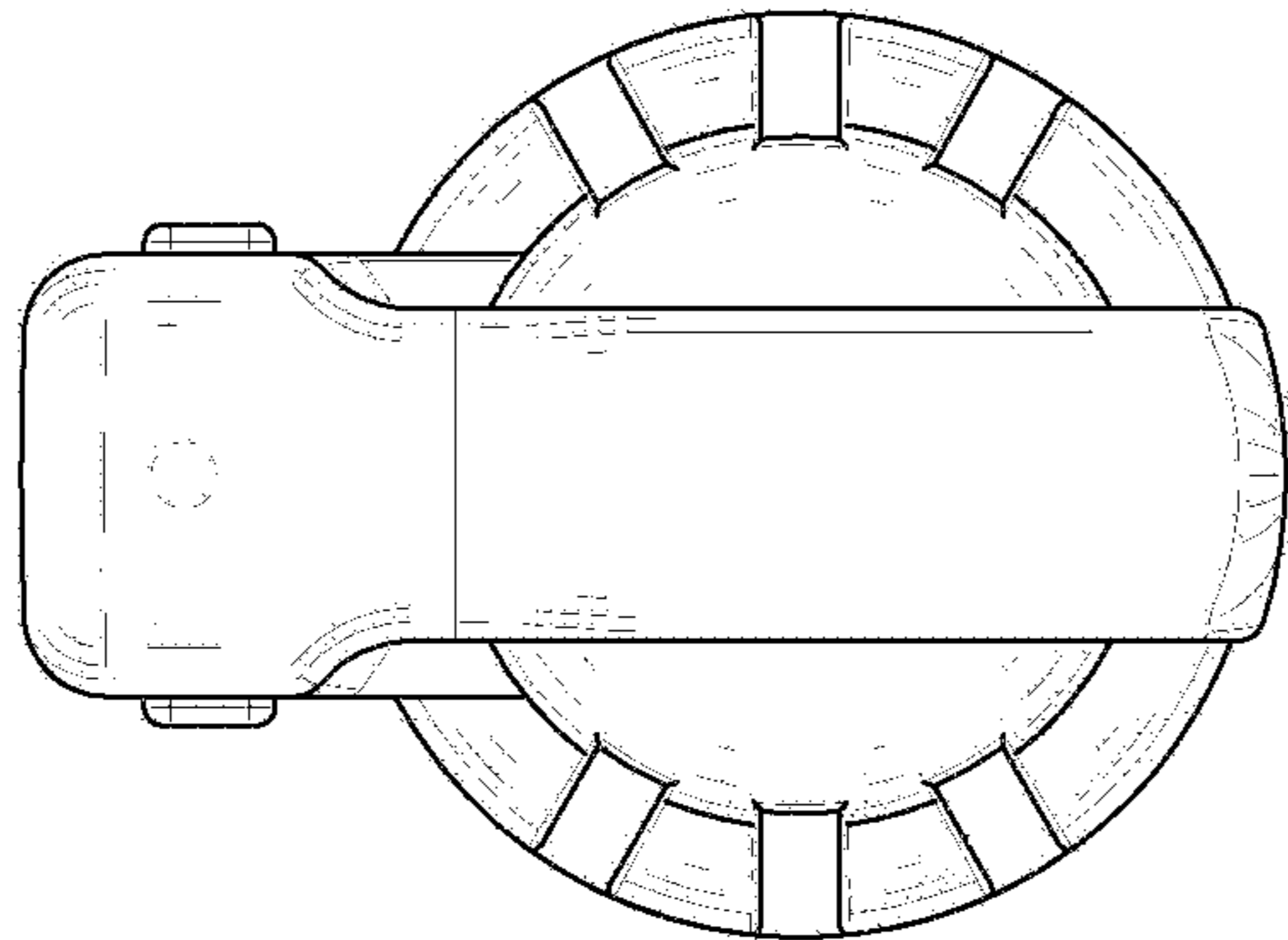


FIG. 8