



US00D930295S

(12) **United States Design Patent** (10) **Patent No.:** **US D930,295 S**  
**Xu** (45) **Date of Patent:** **\*\* Sep. 7, 2021**

(54) **VACUUM CLEANER**

(71) Applicant: **Suzhou Geemo Technology Co., Limited, Suzhou (CN)**

(72) Inventor: **Dongliang Xu, Suzhou (CN)**

(\*\*) Term: **15 Years**

(21) Appl. No.: **29/735,127**

(22) Filed: **May 19, 2020**

(30) **Foreign Application Priority Data**

Mar. 20, 2020 (CN) ..... 202030096480.2

(51) **LOC (13) Cl.** ..... **15-05**

(52) **U.S. Cl.**  
USPC ..... **D32/18**

(58) **Field of Classification Search**

USPC ..... D32/17, 18, 21, 22, 31; D21/526  
CPC ..... A47L 5/24; A47L 5/26; A47L 5/28; A47L 9/102; A47L 9/122; A47L 9/127; A47L 9/1608; A47L 9/1683; A47L 9/2857; A47L 9/2884; A47L 9/32; A47L 9/322; B04C 5/185; B08B 3/04; B01D 2279/55; B23Q 11/0046; B23Q 11/0071; E04H 4/1636; Y10T 29/49716

See application file for complete search history.

(56) **References Cited**

**U.S. PATENT DOCUMENTS**

D456,960 S \* 5/2002 Vandebelt ..... D32/18  
D468,068 S \* 12/2002 Mok ..... D32/18  
D480,845 S \* 10/2003 Ki ..... D32/18  
D501,065 S \* 1/2005 Ma ..... D32/18  
D506,297 S \* 6/2005 Buzzi ..... D32/17  
D526,752 S \* 8/2006 Rosenzweig ..... D32/18  
D528,715 S \* 9/2006 Carr ..... D32/18  
D528,716 S \* 9/2006 Yuen ..... D32/18  
D579,161 S \* 10/2008 Crawley ..... D32/18  
D608,063 S \* 1/2010 Okuda ..... D32/18

D608,511 S \* 1/2010 Okuda ..... D32/18  
D640,021 S \* 6/2011 Houghton ..... D32/18  
D640,848 S \* 6/2011 Houghton ..... D32/18  
D641,111 S \* 7/2011 Houghton ..... D32/18  
D653,008 S \* 1/2012 Houghton ..... D32/18  
D660,527 S \* 5/2012 Kawase ..... D32/18  
D660,528 S \* 5/2012 Okuda ..... D32/18  
D720,101 S \* 12/2014 Erlich ..... D32/18  
D725,327 S \* 3/2015 Houghton ..... D32/18

(Continued)

**FOREIGN PATENT DOCUMENTS**

JP D1674743 \* 12/2020

**OTHER PUBLICATIONS**

BLACK+DECKER Platinum BDH2000L, available in Amazon.ca, date first available Apr. 29, 2013 [online], [site visited Mar. 3, 2021], Available from the internet . . . (Year: 2013).\*

(Continued)

*Primary Examiner* — Dana K Weiland  
*Assistant Examiner* — Jennylou M Binas

(57) **CLAIM**

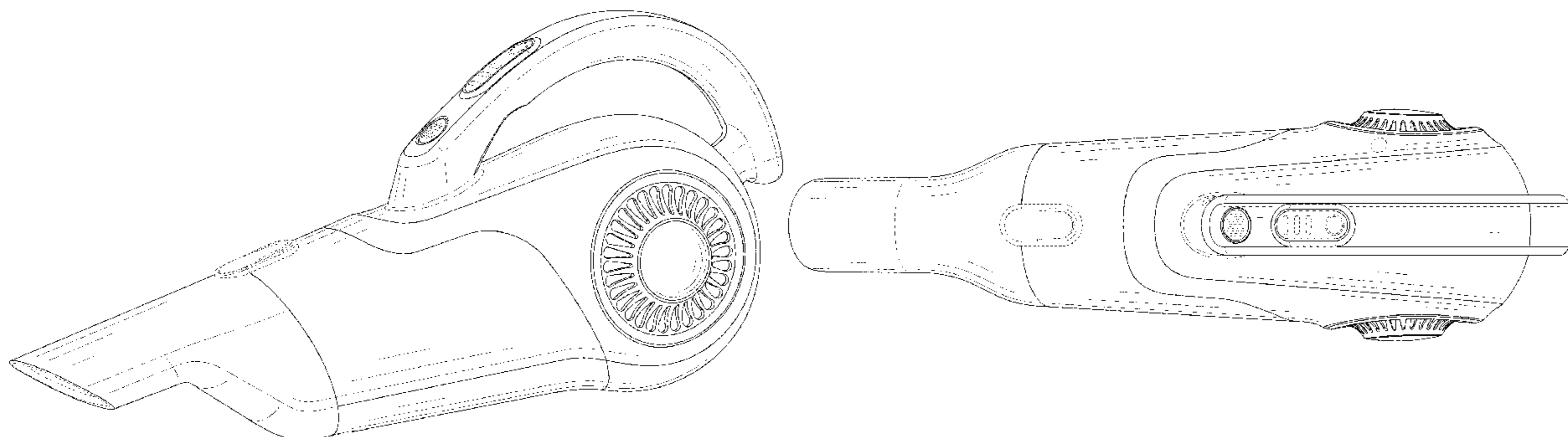
The ornamental design for a vacuum cleaner, as shown and described.

**DESCRIPTION**

FIG. 1 is a perspective view of a vacuum cleaner showing my new design;  
FIG. 2 is a front view thereof;  
FIG. 3 is a back view thereof;  
FIG. 4 is a left side view thereof;  
FIG. 5 is a right side view thereof;  
FIG. 6 is a top view thereof; and,  
FIG. 7 is a bottom view thereof.

The broken lines shown in the drawings depict portions of the vacuum cleaner in which the design is embodied that form no part of the claimed design.

**1 Claim, 7 Drawing Sheets**



(56)

**References Cited**

## U.S. PATENT DOCUMENTS

D725,852 S \* 3/2015 Houghton ..... D32/18  
D812,327 S \* 3/2018 Houghton ..... D32/18  
D865,304 S \* 10/2019 Sugie ..... D32/18  
10,874,276 B2 \* 12/2020 Hird ..... A47L 9/02  
D918,502 S \* 5/2021 Ma ..... D32/18  
2018/0132688 A1 \* 5/2018 Walker ..... A47L 9/149  
2019/0099051 A1 \* 4/2019 Hird ..... A47L 5/24

## OTHER PUBLICATIONS

[Continued item U] URL: [https://www.amazon.ca/Platinum-BDH2000L-20-Volt-Lithium-Cordless/dp/B008R3F0J8/ref=sr\\_1\\_3?dchild=1&keywords=BLACK%2BDECKER+Platinum+BDH2000L+20-Volt+Max+Lithium+Ion+Cordless+Hand+Vacu&qid=1614802176&s=kitchen&sr=1-3](https://www.amazon.ca/Platinum-BDH2000L-20-Volt-Lithium-Cordless/dp/B008R3F0J8/ref=sr_1_3?dchild=1&keywords=BLACK%2BDECKER+Platinum+BDH2000L+20-Volt+Max+Lithium+Ion+Cordless+Hand+Vacu&qid=1614802176&s=kitchen&sr=1-3) (Year: 2013).\*

GeeMo X4 Handheld 8500PA Wet Dry Powerful Cyclonic Suction Lightweight Quick Charge Vacuum Cleaner, available in Amazon.ca, date first available Dec. 21, 2019 [online], [site visited May 4, 2021, Available from the internet . . . (Year: 2019).\*

[Continued item W] [https://www.amazon.ca/GeeMo-Handheld-Powerful-Cyclonic-Lightweight/dp/B07ZV542M6/ref=sr\\_1\\_7?dchild=1&keywords=GeeMo+Handheld+Vacuum+Cleaner&qid=1620181672&s=kitchen&sr=1-7](https://www.amazon.ca/GeeMo-Handheld-Powerful-Cyclonic-Lightweight/dp/B07ZV542M6/ref=sr_1_7?dchild=1&keywords=GeeMo+Handheld+Vacuum+Cleaner&qid=1620181672&s=kitchen&sr=1-7) (Year: 2019).\*

MOOSOO Handheld Vacuum, available in Amazon.ca, date first available Feb. 9, 2020 [online], [site visited May 4, 2021, Available from the internet . . . (Year: 2020).\*

[Continued U] URL: [https://www.amazon.ca/MOOSOO-Handheld-Lightweight-Rechargeable-M4/dp/B08C9NX2G5/ref=sr\\_1\\_6?dchild=1&keywords=MOOSOO%2BHandheld%2BVacuum%2BCordless&qid=1620184124&s=kitchen&sr=1-6&th=1](https://www.amazon.ca/MOOSOO-Handheld-Lightweight-Rechargeable-M4/dp/B08C9NX2G5/ref=sr_1_6?dchild=1&keywords=MOOSOO%2BHandheld%2BVacuum%2BCordless&qid=1620184124&s=kitchen&sr=1-6&th=1) (Year: 2020).\*

\* cited by examiner

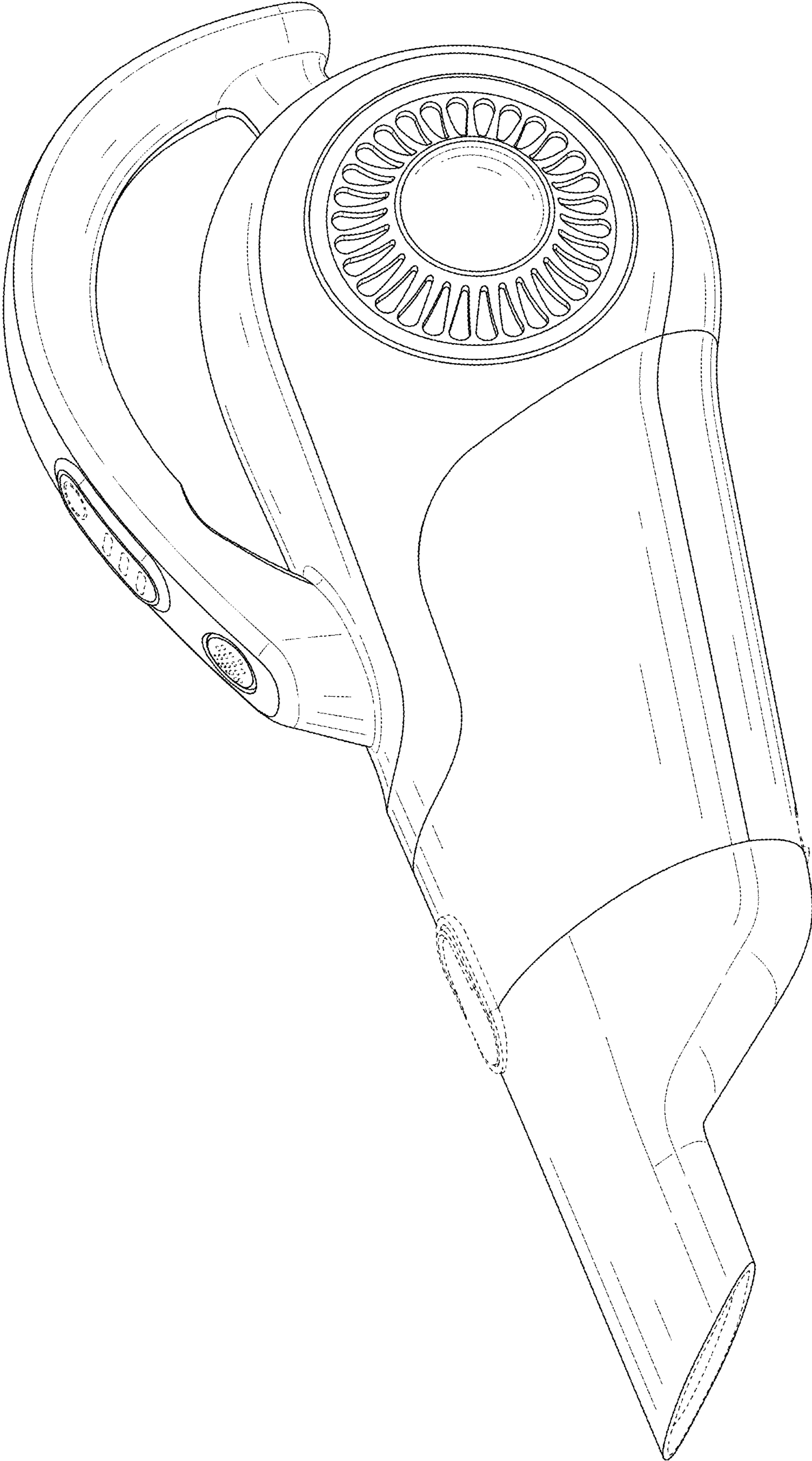


FIG. 1

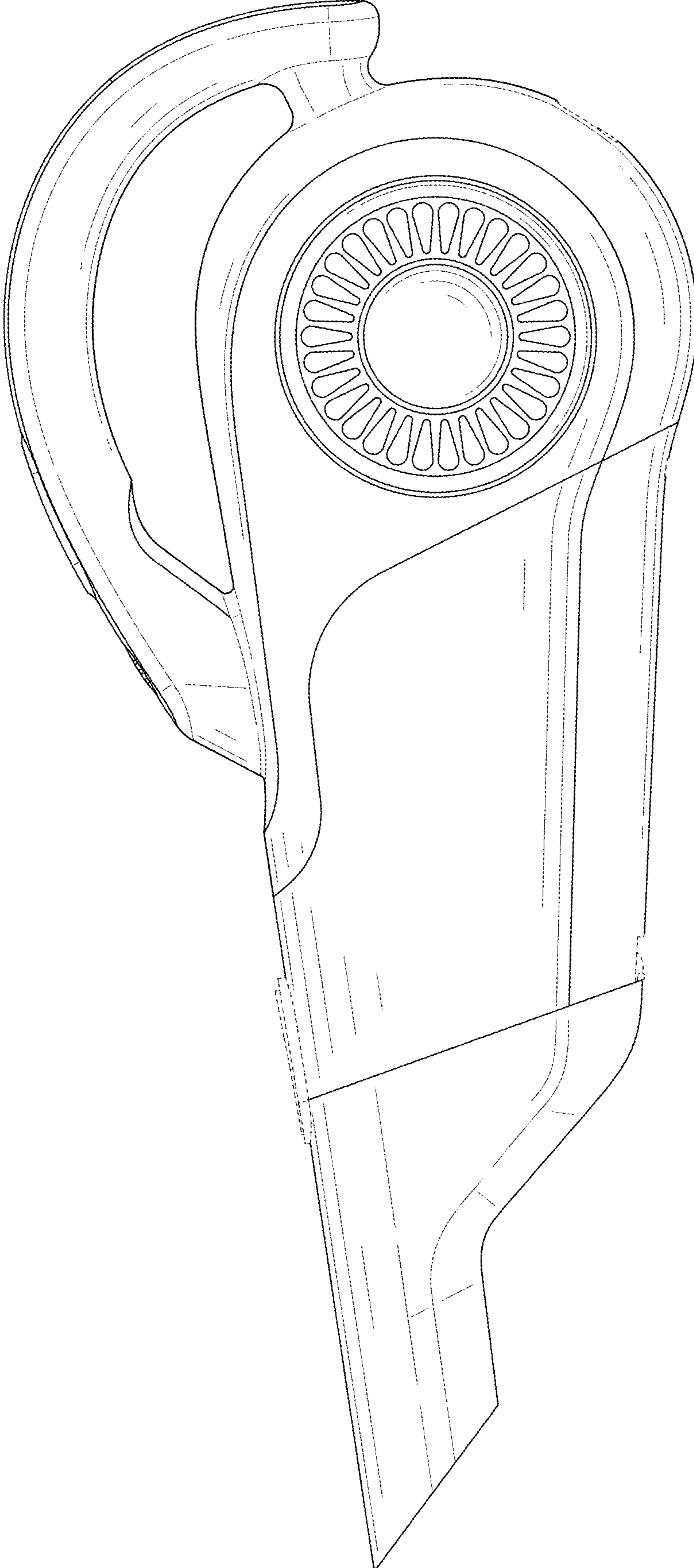


FIG. 2

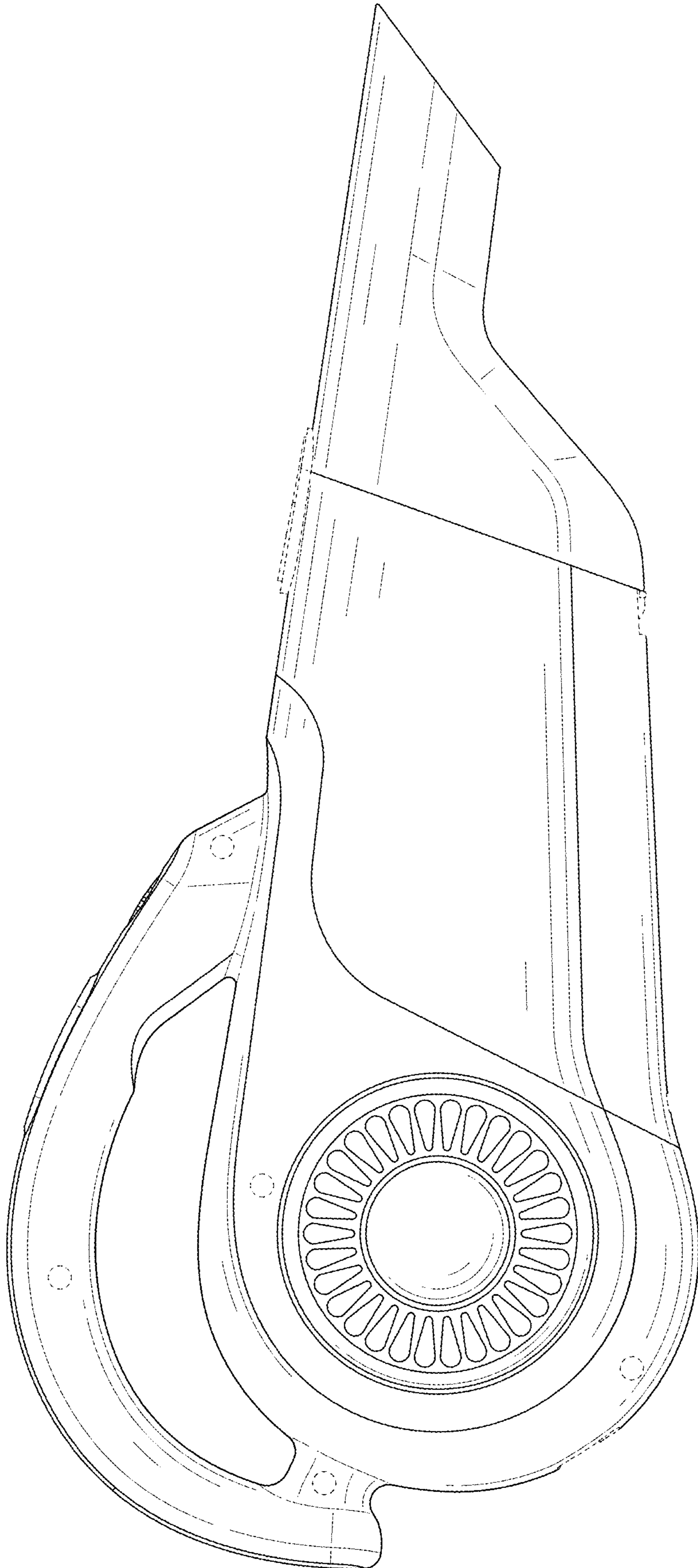


FIG. 3

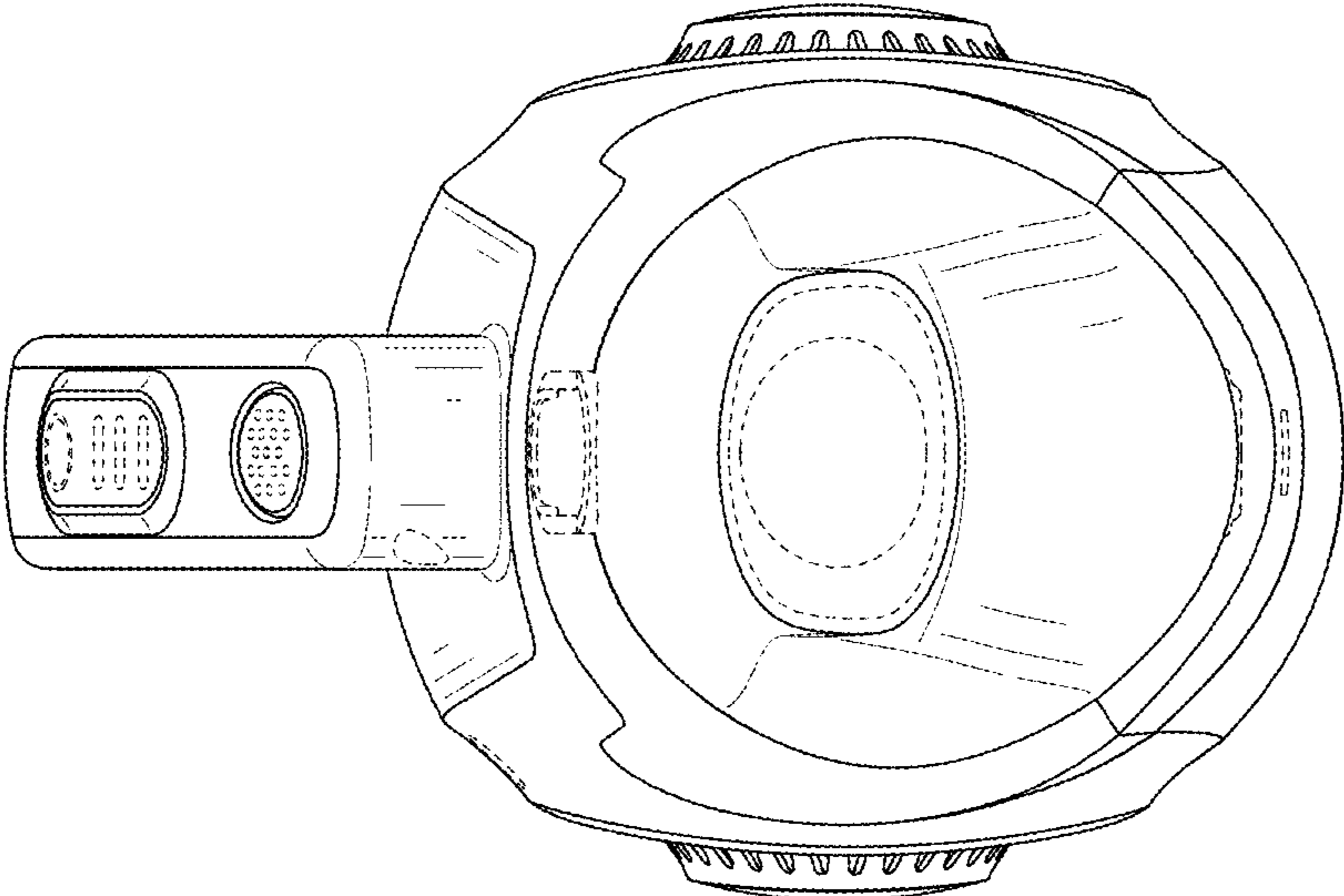


FIG. 4

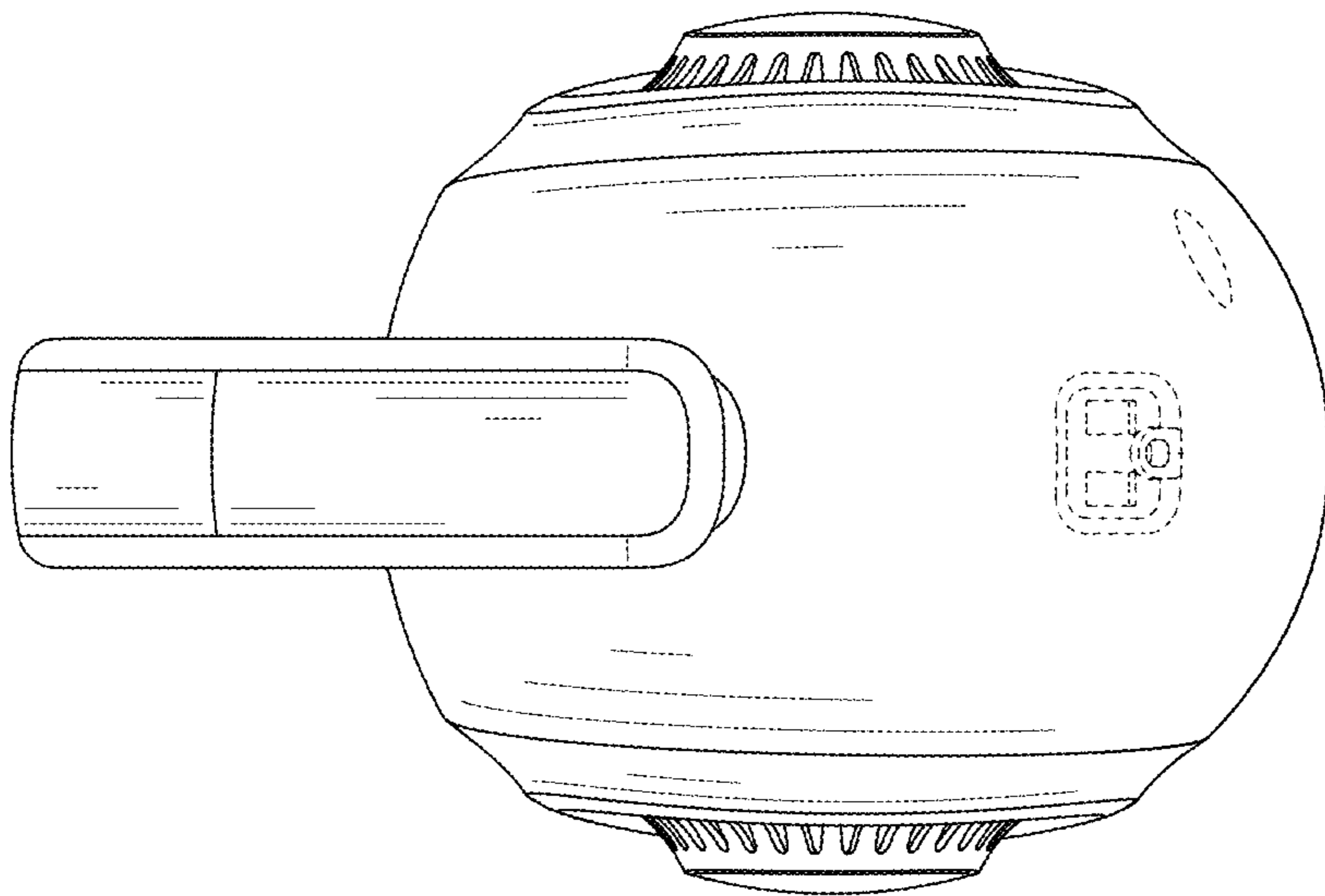


FIG. 5

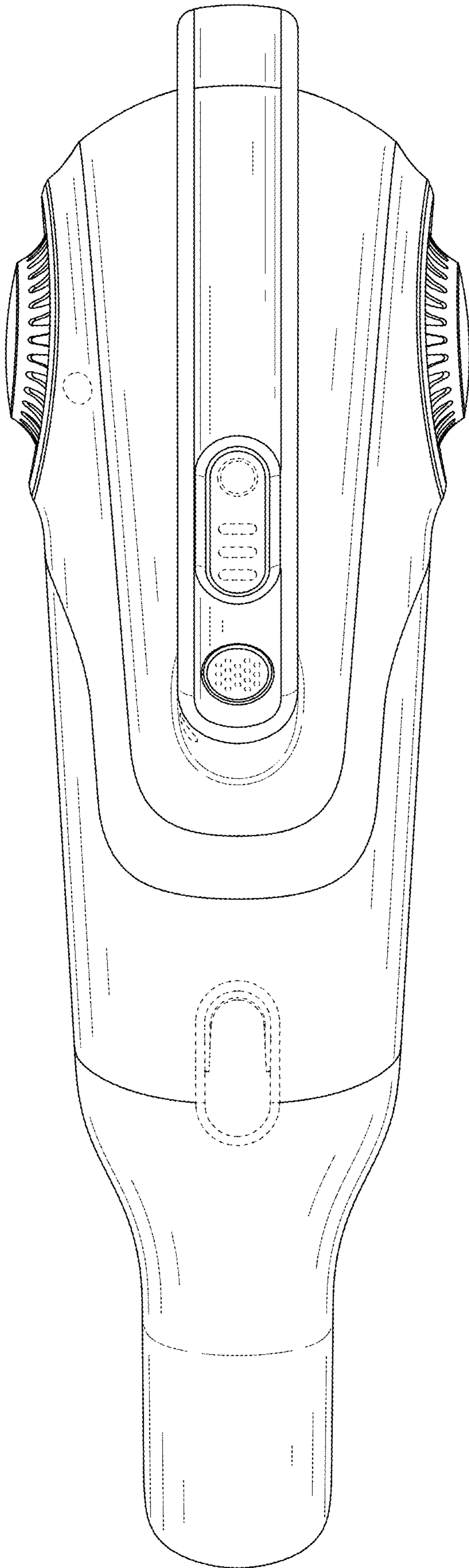


FIG. 6



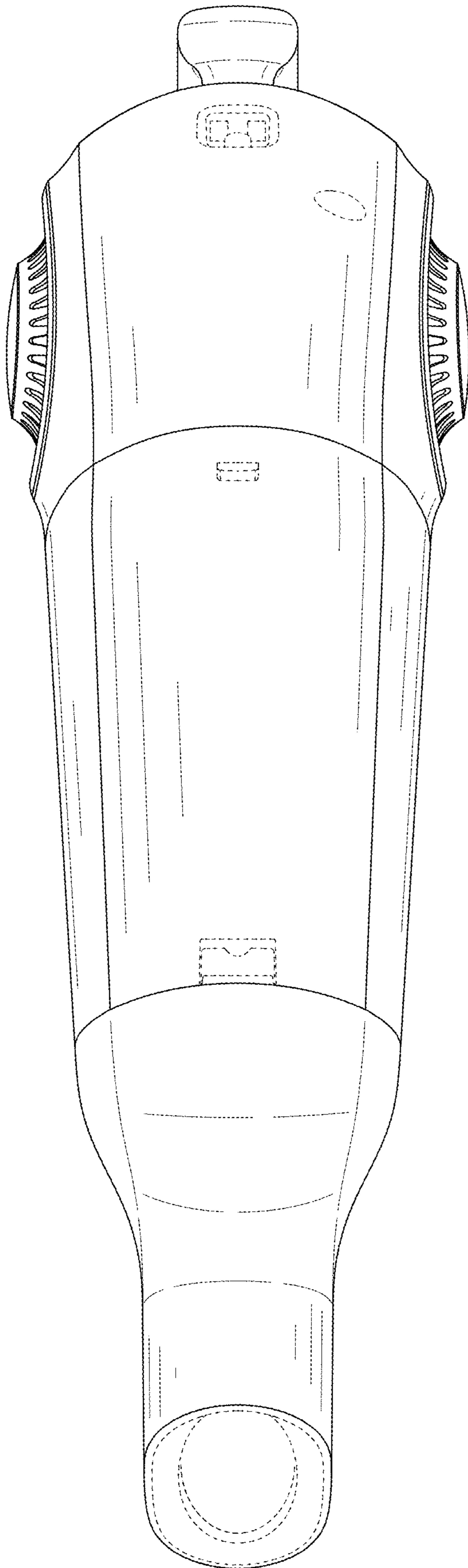


FIG. 7