

US00D930294S

(12) **United States Design Patent**  
**Jia**

(10) **Patent No.:** **US D930,294 S**  
(45) **Date of Patent:** **\*\* Sep. 7, 2021**

- (54) **WIRELESS ANIMAL TRAINING TRANSMITTER**
- (71) Applicant: **SHENZHEN SMART PET TECHNOLOGY CO., LTD**, Shenzhen (CN)
- (72) Inventor: **Yaya Jia**, Shenzhen (CN)
- (73) Assignee: **SHENZHEN SMART PET TECHNOLOGY CO., LTD**, Shenzhen (CN)

D20/28; 224/666, 678; 16/445; 283/74, 283/70; D11/232, 200, 216, 1, 2, 86, 87, D11/201, 206–210, 212–215, 218; 24/163 K, 122.3, 323, 702, 600.4–600.7, 24/163 R, 169–171, 173, 177–179, 191, 24/194, 195, 197, 200, 303, 616, 635, 24/313, 615, 3, 6, 3 K, 599.2, 96, 221, 24/237, 311, 312, 314, 321, 338, 339, 24/309; 428/3, 4; 54/76, 1, 71; 63/29.1, 63/3; 191/12.2 R, 12.4; D13/154, 153,  
(Continued)

- (\*\*) Term: **15 Years**
- (21) Appl. No.: **29/752,355**
- (22) Filed: **Sep. 27, 2020**
- (30) **Foreign Application Priority Data**

Jul. 31, 2020 (CN) ..... 202030425682.7

- (51) **LOC (13) Cl.** ..... **30-99**
- (52) **U.S. Cl.**  
USPC ..... **D30/199; D10/104.1**

- (58) **Field of Classification Search**  
USPC ..... D30/151–155, 144, 199, 160; 119/792–798, 850, 855–859, 863–865, 119/654, 905, 907, 815, 712, 802, 784, 119/769, 760, 776, 862, 908, 860, 119/719–721; 242/381.1–381.2, 385.4, 242/378.3, 376.1, 385.1, 916, 601, 570, 242/405, 404, 371, 223, 170, 388.1, 242/405.2, 377, 381.3, 381.6, 405.3, 242/388.6, 384.7, 382, 396.1, 404.1, 380; 362/108; 33/767, 769, 414; D12/400; D3/229, 230, 207, 208, 215; 40/1.5, 455, 40/640, 303; 206/63.3, 459.5, 702, 408; D6/515; D8/358, 360, 347, 360.1, 359, D8/356, DIG. 1; D24/145, 167, 186, 146, D24/169; D10/57, 72, 106.1, 104.1, D10/104.2, 109.2, 70, 97, 98, 78, 65;

(56) **References Cited**

U.S. PATENT DOCUMENTS

D389,827 S \* 1/1998 Oross ..... D14/137  
D395,882 S \* 7/1998 Oross ..... D14/137  
(Continued)

*Primary Examiner* — Susan Moon Lee

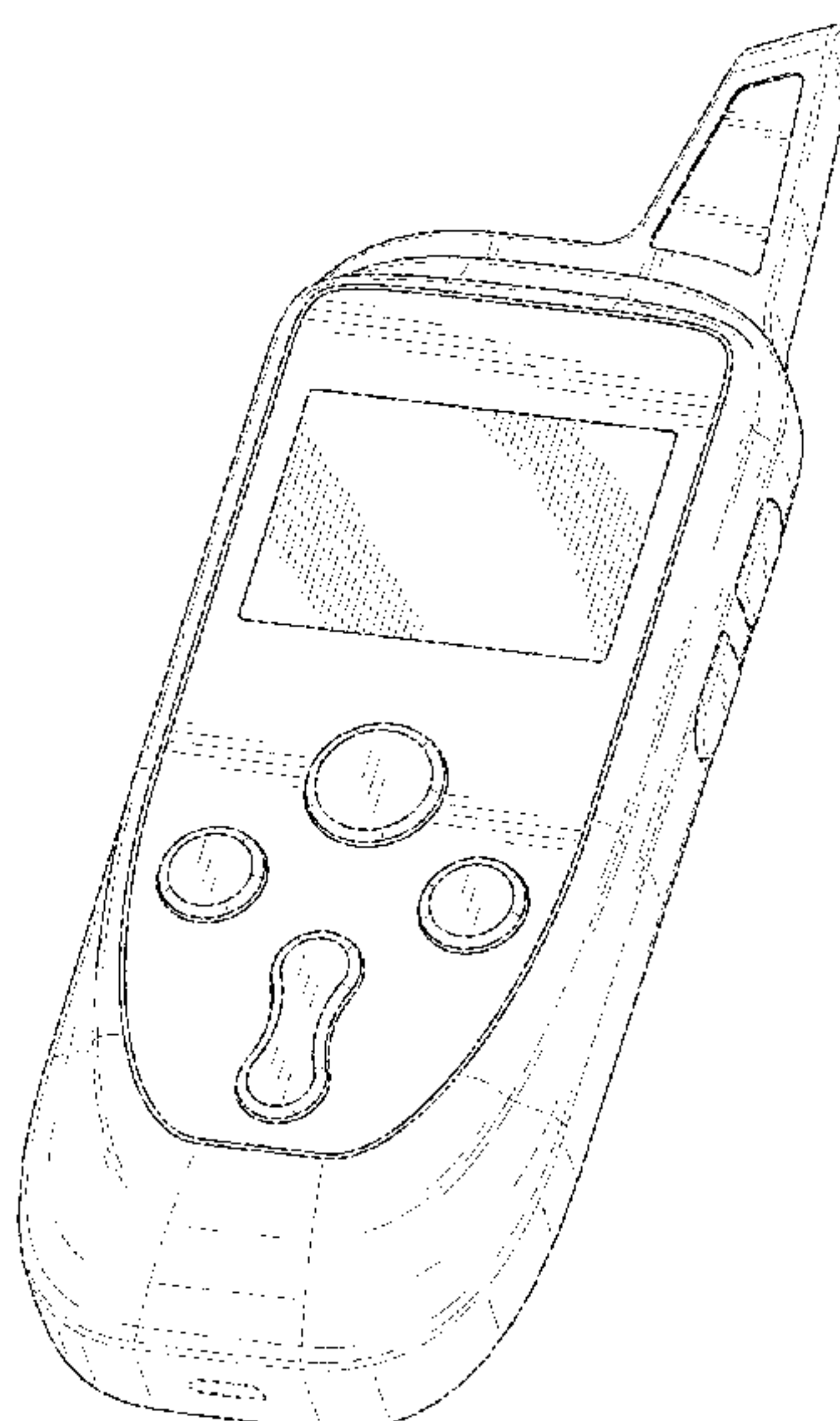
(57) **CLAIM**

The ornamental design for a wireless animal training transmitter, as shown and described.

**DESCRIPTION**

FIG. 1 is a front perspective view of a wireless animal training transmitter showing my new design;  
FIG. 2 is a right perspective view thereof;  
FIG. 3 is a top perspective view thereof;  
FIG. 4 is a front view thereof;  
FIG. 5 is a rear view thereof;  
FIG. 6 is a left side view thereof;  
FIG. 7 is a right side view thereof;  
FIG. 8 is a top view thereof; and,  
FIG. 9 is a bottom view thereof.  
The broken lines in the drawings illustrate portions of the wireless animal training transmitter which form no part of the claimed design.

**1 Claim, 9 Drawing Sheets**





# US D930,294 S

**(58) Field of Classification Search**

USPC ..... D13/137.4, 155, 103, 168; D19/69, 67;  
 379/438; 446/26; 473/576; D22/140;  
 174/135; 439/504, 13, 501; D34/33;  
 188/83, 82.1, 65.1; 254/134.3 FT;  
 D29/124; D2/627, 624, 633, 625;  
 132/145, 146, 148; 2/314; 59/79.1;  
 340/573.3, 573.1, 573, 573.4,  
 340/539.13–539.19; 343/895;  
 278/8 AES; 231/7; 361/232; D14/344,  
 D14/341, 137, 155, 496, 203.5, 203.3,  
 D14/144, 218, 188, 216, 192;  
 342/357.51, 357.57, 357.52, 357.55;  
 455/100, 352, 456.1, 550.1; 315/291  
 CPC .... A01K 15/021; A01K 15/02; A01K 15/022;  
 A01K 15/023; A01K 15/029; A01K  
 15/04; A01K 15/00; A01K 15/006; A01K  
 12/022; A01K 27/009; A01K 27/00;  
 A01K 27/001; A01K 27/006–008; A01K  
 29/005; A01K 29/00; A61B 5/0002–0028;  
 A61B 5/681; A61B 5/6822; A61B  
 5/6824; A61B 5/6829; G01S 5/0294

See application file for complete search history.

**(56) References Cited**

U.S. PATENT DOCUMENTS

D412,501 S \* 8/1999 Tyneski ..... D14/137  
 D425,887 S \* 5/2000 Edwards ..... D14/138 G  
 D428,866 S \* 8/2000 You ..... D14/137  
 D430,126 S \* 8/2000 Lee ..... D14/137  
 D433,395 S \* 11/2000 Wong ..... D14/137  
 D446,195 S \* 8/2001 Chamberlain ..... D14/137  
 D469,708 S \* 2/2003 To ..... D10/104.1  
 6,598,563 B2 \* 7/2003 Kim ..... A01K 15/021  
 119/719  
 D480,695 S \* 10/2003 Cebe ..... D14/137  
 D480,698 S \* 10/2003 Slipy ..... D14/147  
 D491,150 S \* 6/2004 Shen ..... D13/168  
 D493,435 S \* 7/2004 Esslinger ..... D14/137  
 D493,776 S \* 8/2004 Esslinger ..... D14/137  
 D494,944 S \* 8/2004 Esslinger ..... D14/137  
 D496,347 S \* 9/2004 Choi ..... D14/191  
 6,860,240 B2 \* 3/2005 Kim ..... A01K 15/021  
 119/718  
 D523,768 S 6/2006 Kaufman et al.  
 D528,990 S \* 9/2006 Li ..... D13/168  
 D535,902 S \* 1/2007 Kaufman ..... D30/199  
 D540,289 S \* 4/2007 Liu ..... D14/137  
 D545,225 S \* 6/2007 Azuma ..... D10/70  
 D560,527 S \* 1/2008 Rich ..... D10/78  
 D564,998 S \* 3/2008 Tran ..... D14/137  
 D576,127 S \* 9/2008 Tran ..... D14/137  
 D576,128 S \* 9/2008 Tran ..... D14/137  
 D577,370 S \* 9/2008 Fried ..... D14/496  
 RE40,799 E \* 6/2009 Chen ..... G06Q 90/00  
 701/33.2  
 D603,351 S \* 11/2009 Badarello ..... D13/168  
 D607,847 S \* 1/2010 Elliott ..... D13/168  
 D615,438 S \* 5/2010 Goetzl ..... D10/104.1  
 D616,844 S \* 6/2010 Xia ..... D14/137  
 D624,838 S \* 10/2010 Chen ..... D10/78  
 D629,318 S \* 12/2010 Disch ..... D10/78  
 7,860,619 B2 \* 12/2010 Bertosa ..... G06F 17/00  
 701/31.4  
 D631,027 S \* 1/2011 Li ..... D14/138 AA  
 D635,946 S \* 4/2011 Garra ..... D14/137  
 D644,133 S \* 8/2011 Register ..... D10/65  
 D677,230 S \* 3/2013 Ooi ..... D14/137  
 D683,916 S 6/2013 So  
 D685,753 S \* 7/2013 Kang ..... D14/137  
 D695,392 S \* 12/2013 Tani ..... D24/113

8,600,610 B2 \* 12/2013 Bertosa ..... G06Q 30/0639  
 701/33.2  
 D700,148 S \* 2/2014 Paul ..... D13/168  
 8,732,919 B1 \* 5/2014 Malueg-Ray ..... A61G 17/007  
 27/1  
 D711,758 S \* 8/2014 Heath ..... D10/104.1  
 D714,739 S \* 10/2014 Rantala ..... D13/168  
 D715,230 S \* 10/2014 Rantala ..... D13/168  
 D719,708 S \* 12/2014 Ye ..... D30/199  
 D721,861 S \* 1/2015 Guo ..... D30/199  
 9,014,907 B2 \* 4/2015 Lipscomb ..... G07C 5/008  
 701/29.1  
 9,275,503 B2 \* 3/2016 Chen ..... G07C 5/008  
 D774,935 S \* 12/2016 Liu ..... D10/104.1  
 9,646,432 B2 \* 5/2017 Madison ..... G07C 5/0808  
 D794,587 S \* 8/2017 Page ..... D14/137  
 D797,686 S \* 9/2017 McRoberts ..... D13/168  
 D801,840 S \* 11/2017 Dwyer ..... D10/104.1  
 D804,338 S \* 12/2017 Protti ..... D10/78  
 D805,701 S \* 12/2017 Li ..... D30/199  
 D806,592 S \* 1/2018 Protti ..... D10/78  
 D806,593 S \* 1/2018 Sova ..... D10/78  
 D813,473 S \* 3/2018 Ni ..... D30/199  
 D815,372 S \* 4/2018 Goetzl ..... D30/199  
 D816,632 S \* 5/2018 Yamamoto ..... D14/137  
 D820,128 S \* 6/2018 Wong ..... D10/78  
 D831,601 S \* 10/2018 Ooi ..... D14/137  
 D834,432 S \* 11/2018 Wang ..... D10/78  
 D835,860 S \* 12/2018 Li ..... D30/199  
 10,159,219 B2 \* 12/2018 Van Curen ..... A01K 27/009  
 D838,611 S \* 1/2019 Xie ..... D10/78  
 D846,413 S \* 4/2019 Wang ..... D10/78  
 D846,521 S \* 4/2019 Nakagawa ..... D14/137  
 D852,073 S \* 6/2019 Zhao ..... D10/78  
 D862,812 S \* 10/2019 Jia ..... D30/199  
 D863,242 S \* 10/2019 Gordon ..... D14/137  
 D867,322 S \* 11/2019 Yan ..... D14/155  
 D871,943 S \* 1/2020 Xie ..... D10/78  
 D875,699 S \* 2/2020 Hong ..... D14/137  
 D878,315 S \* 3/2020 Zhou ..... D14/137  
 D879,390 S \* 3/2020 Cai ..... D30/199  
 D881,486 S \* 4/2020 Li ..... D30/199  
 D883,829 S \* 5/2020 Nytko ..... D10/104.1  
 D884,995 S \* 5/2020 Ni ..... D30/199  
 D891,385 S \* 7/2020 Zhang ..... D14/137  
 D892,757 S \* 8/2020 Pang ..... D14/137  
 D897,057 S \* 9/2020 Jia ..... D30/199  
 D898,307 S \* 10/2020 Yang ..... D30/199  
 D898,308 S \* 10/2020 Yang ..... D30/199  
 D898,309 S \* 10/2020 Yang ..... D30/199  
 D900,048 S \* 10/2020 Huang ..... D14/137  
 D903,515 S \* 12/2020 Zhao ..... D10/78  
 D904,214 S \* 12/2020 Zinn ..... D10/104.1  
 D904,702 S \* 12/2020 Jia ..... D30/199  
 D914,628 S \* 3/2021 Wang ..... D14/137  
 D914,629 S \* 3/2021 Wang ..... D14/137  
 D915,319 S \* 4/2021 Tschopp ..... D14/137  
 D918,074 S \* 5/2021 Zhao ..... D10/78  
 D918,748 S \* 5/2021 Zhao ..... D10/78  
 D919,905 S \* 5/2021 Wang ..... D30/199  
 2005/0020279 A1 \* 1/2005 Markhovsky ..... G01S 5/12  
 455/456.1  
 2005/0045681 A1 \* 3/2005 Hancock ..... B60R 11/0205  
 224/401  
 2007/0012260 A1 \* 1/2007 Boyd ..... A01K 11/00  
 119/720  
 2008/0036610 A1 \* 2/2008 Hokuf ..... A01K 15/021  
 340/573.3  
 2009/0102668 A1 \* 4/2009 Thompson ..... A01K 15/023  
 340/573.3  
 2010/0203849 A1 \* 8/2010 Straub ..... H04B 1/38  
 455/90.2  
 2013/0265165 A1 \* 10/2013 So ..... A01K 15/022  
 340/573.3  
 2014/0232541 A1 \* 8/2014 Trenkle ..... G08B 25/10  
 340/539.13  
 2014/0261233 A1 \* 9/2014 So ..... A01K 27/009  
 119/720

(56)

**References Cited**

U.S. PATENT DOCUMENTS

2016/0100552 A1\* 4/2016 So ..... A01K 27/001  
119/719  
2017/0208775 A1\* 7/2017 Van Curen ..... A01K 15/021  
2017/0360003 A1\* 12/2017 So ..... A01K 15/021

\* cited by examiner

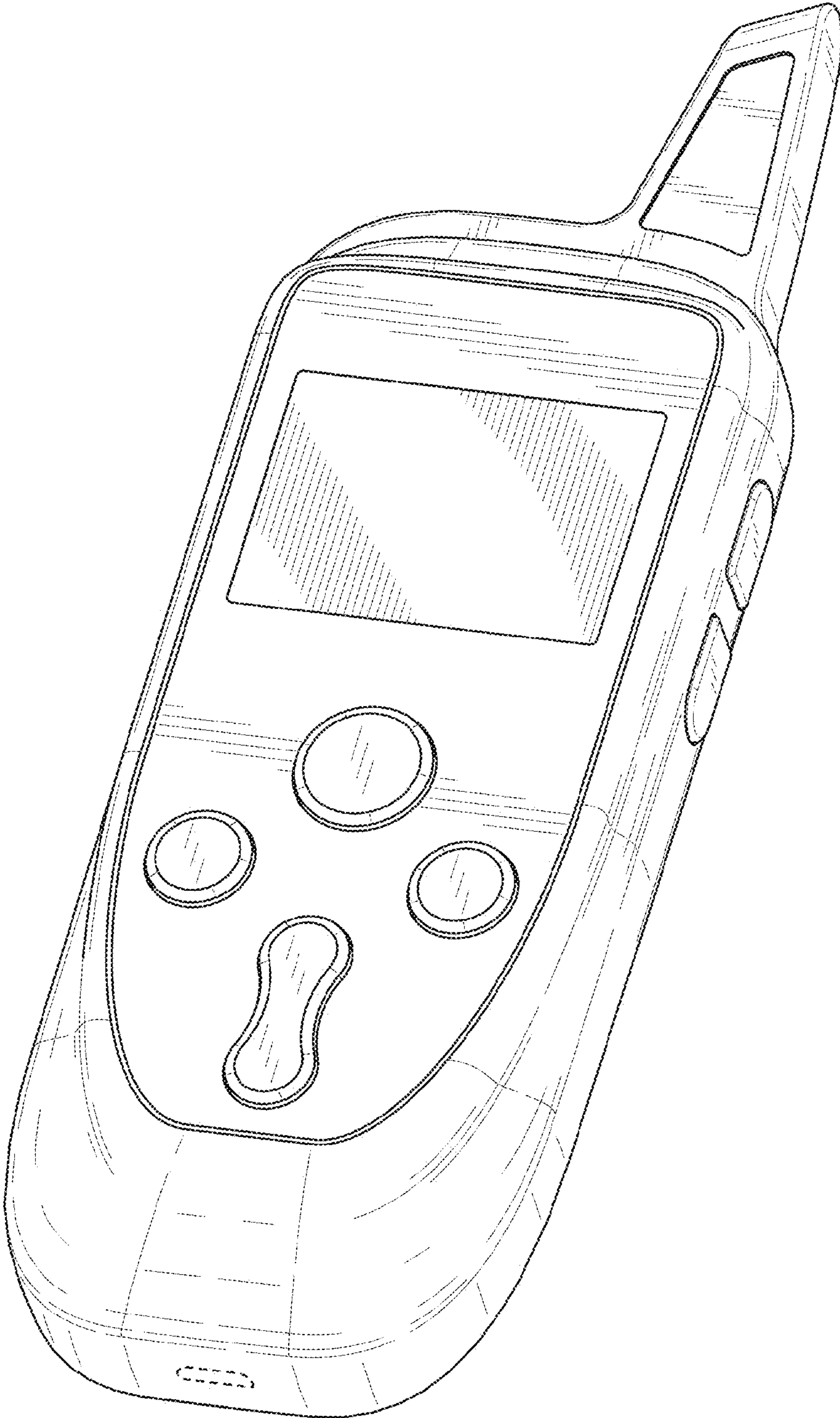


Fig. 1



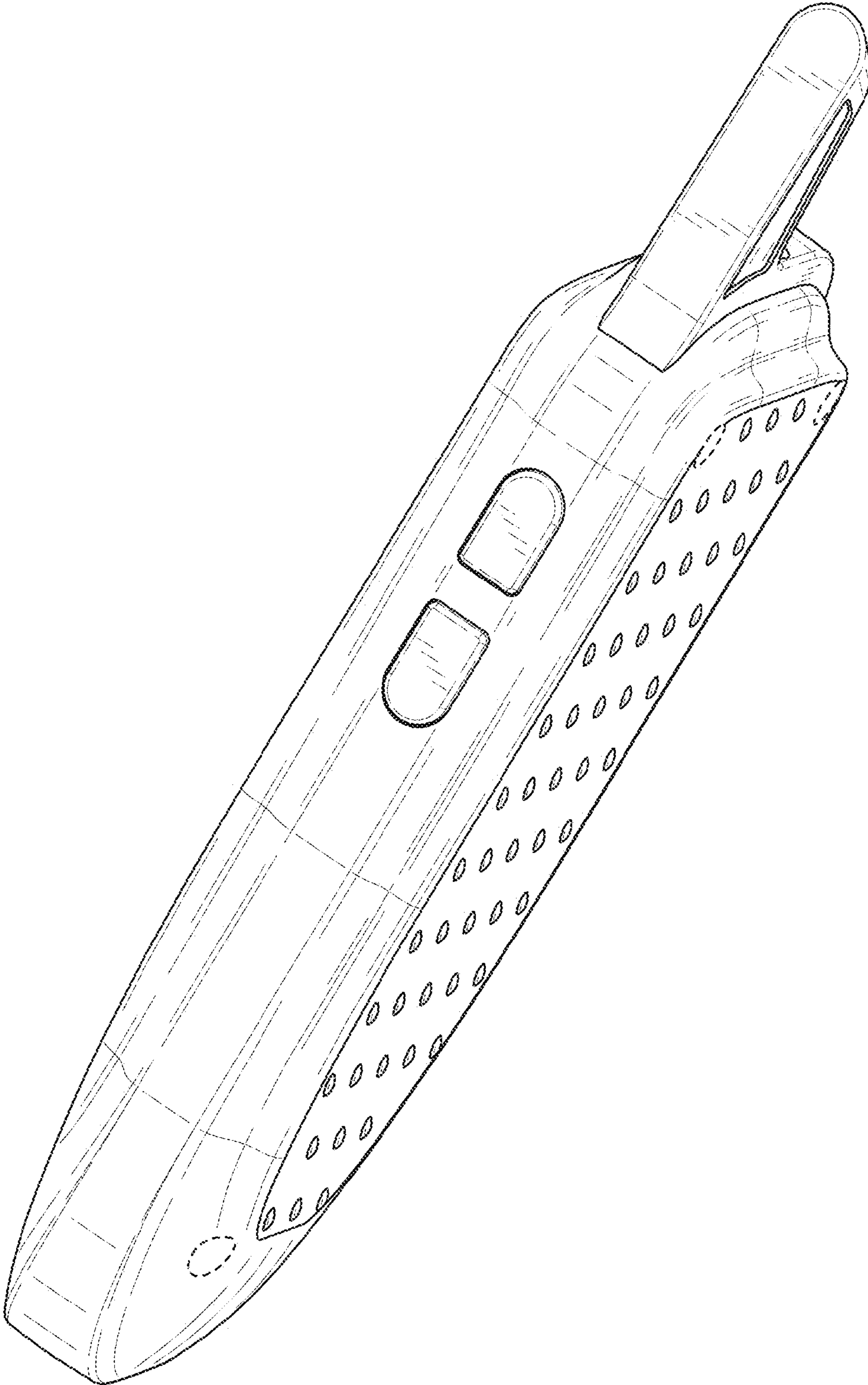


Fig. 2



Fig. 3

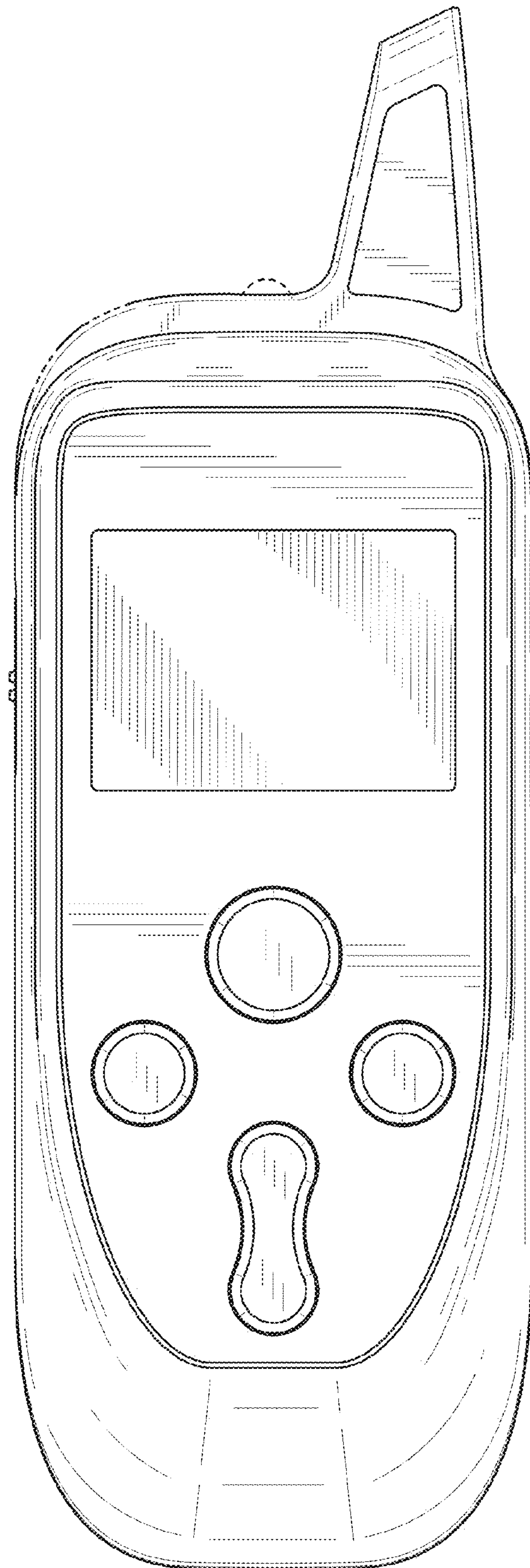


Fig. 4

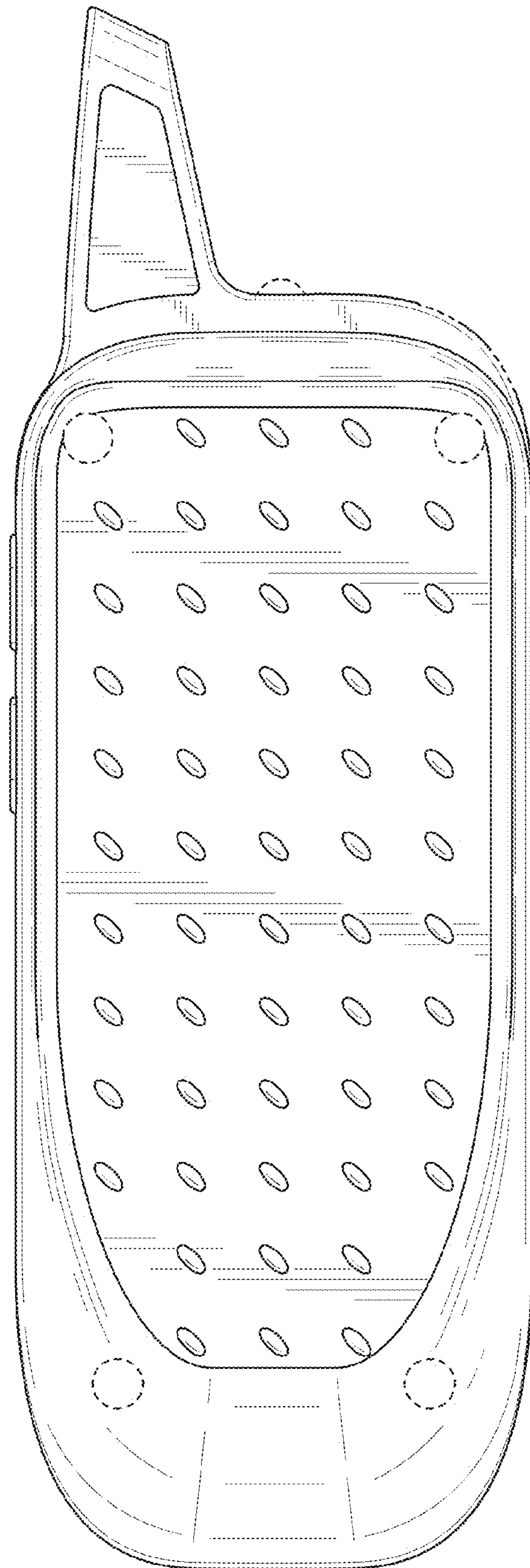


Fig. 5



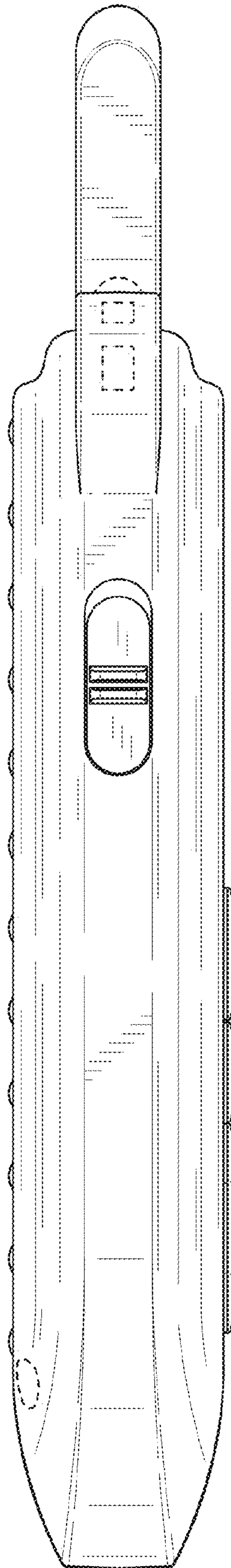


Fig. 6

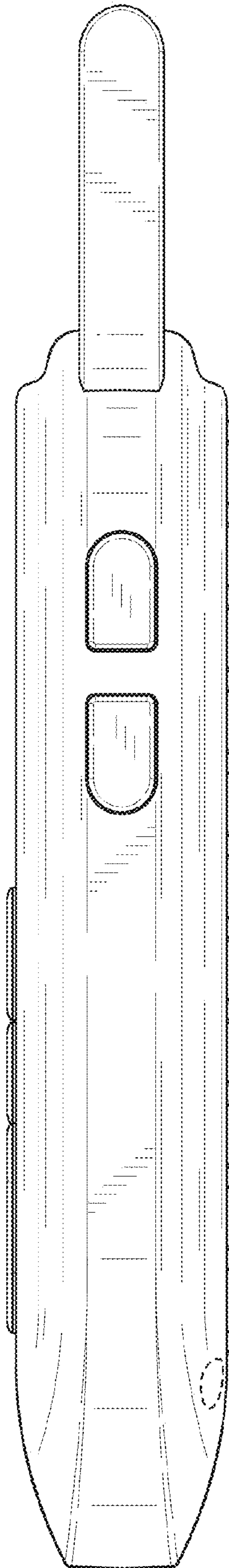


Fig. 7

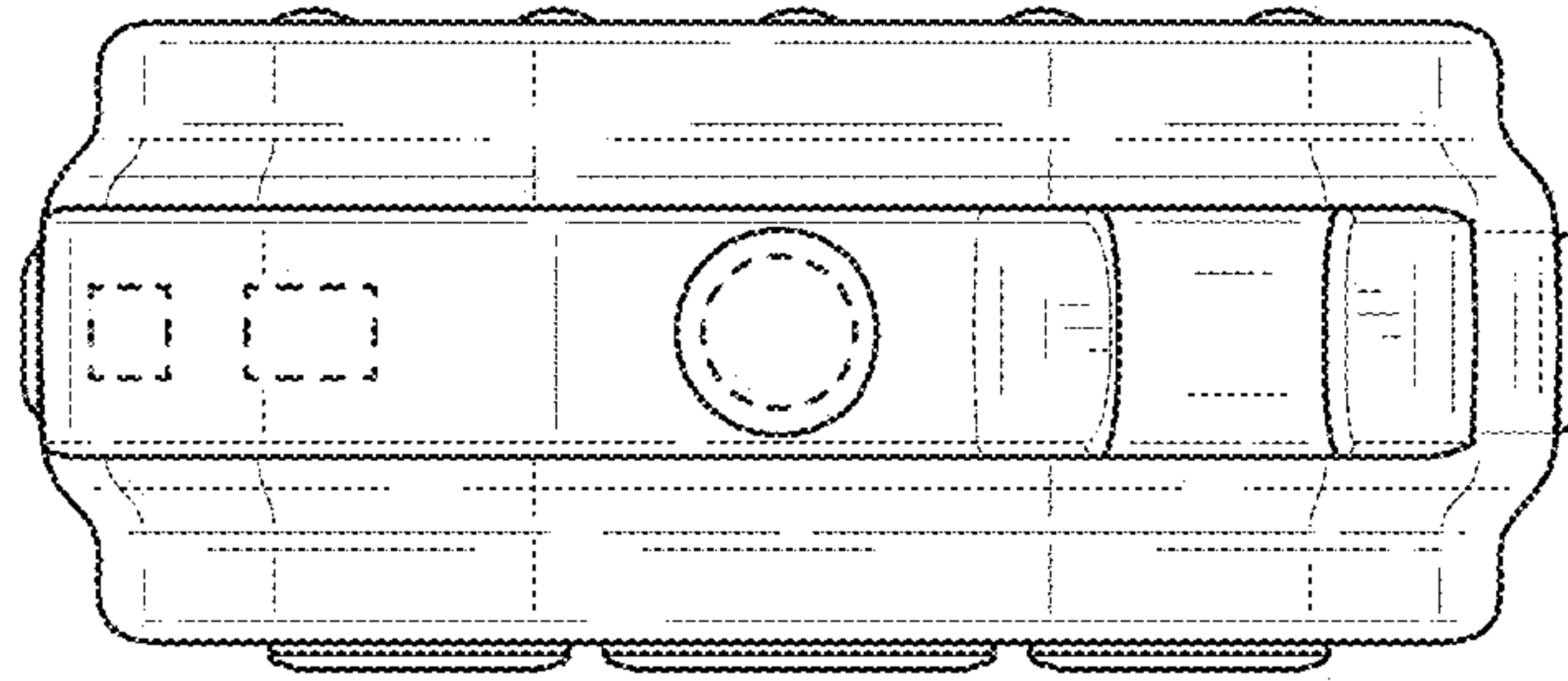


Fig. 8



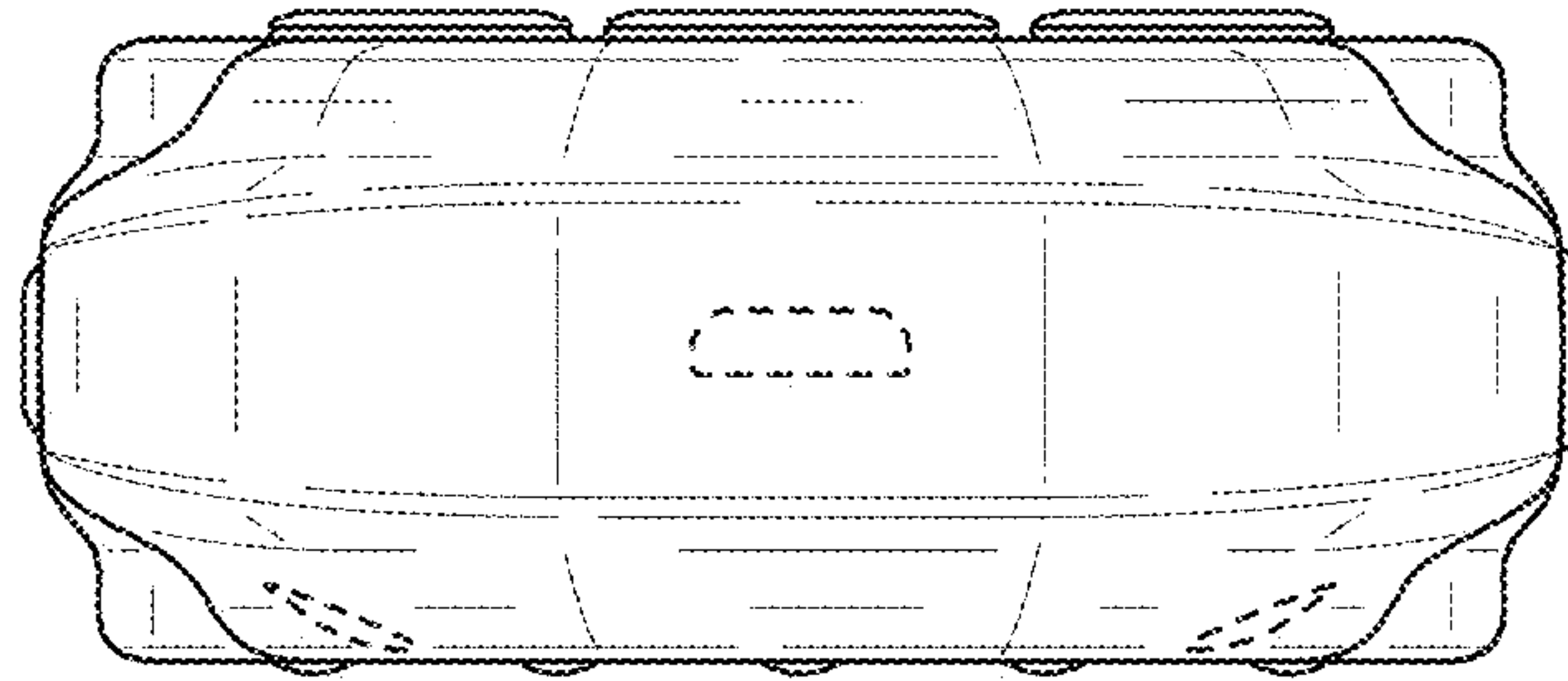


Fig. 9