



US00D930293S

(12) **United States Design Patent** (10) **Patent No.:** **US D930,293 S**
Roost et al. (45) **Date of Patent:** **** Sep. 7, 2021**

(54) **DISPOSAL BIN**

(74) *Attorney, Agent, or Firm* — Myers Wolin, LLC

(71) Applicant: **Pet Fusion, LLC**, Fanwood, NJ (US)

(57) **CLAIM**

(72) Inventors: **Andrew Roost**, Fanwood, NJ (US);
Theodore Elliott, Bentleyville, NJ (US)

The ornamental design for a disposal bin, as shown and described.

(73) Assignee: **Pet Fusion, LLC**, Fanwood, NJ (US)

(**) Term: **15 Years**

DESCRIPTION

(21) Appl. No.: **29/713,716**

(22) Filed: **Nov. 18, 2019**

(51) **LOC (13) Cl.** **30-99**

(52) **U.S. Cl.**
USPC **D30/161**

(58) **Field of Classification Search**
USPC D30/158–161; D3/304
CPC A01K 1/011; A01K 1/0107; A01K 1/0125;
A01K 1/0121; A47K 11/02; A47K 11/06;
A47K 13/00; A47K 13/06; A47K 13/14
See application file for complete search history.

(56) **References Cited**

U.S. PATENT DOCUMENTS

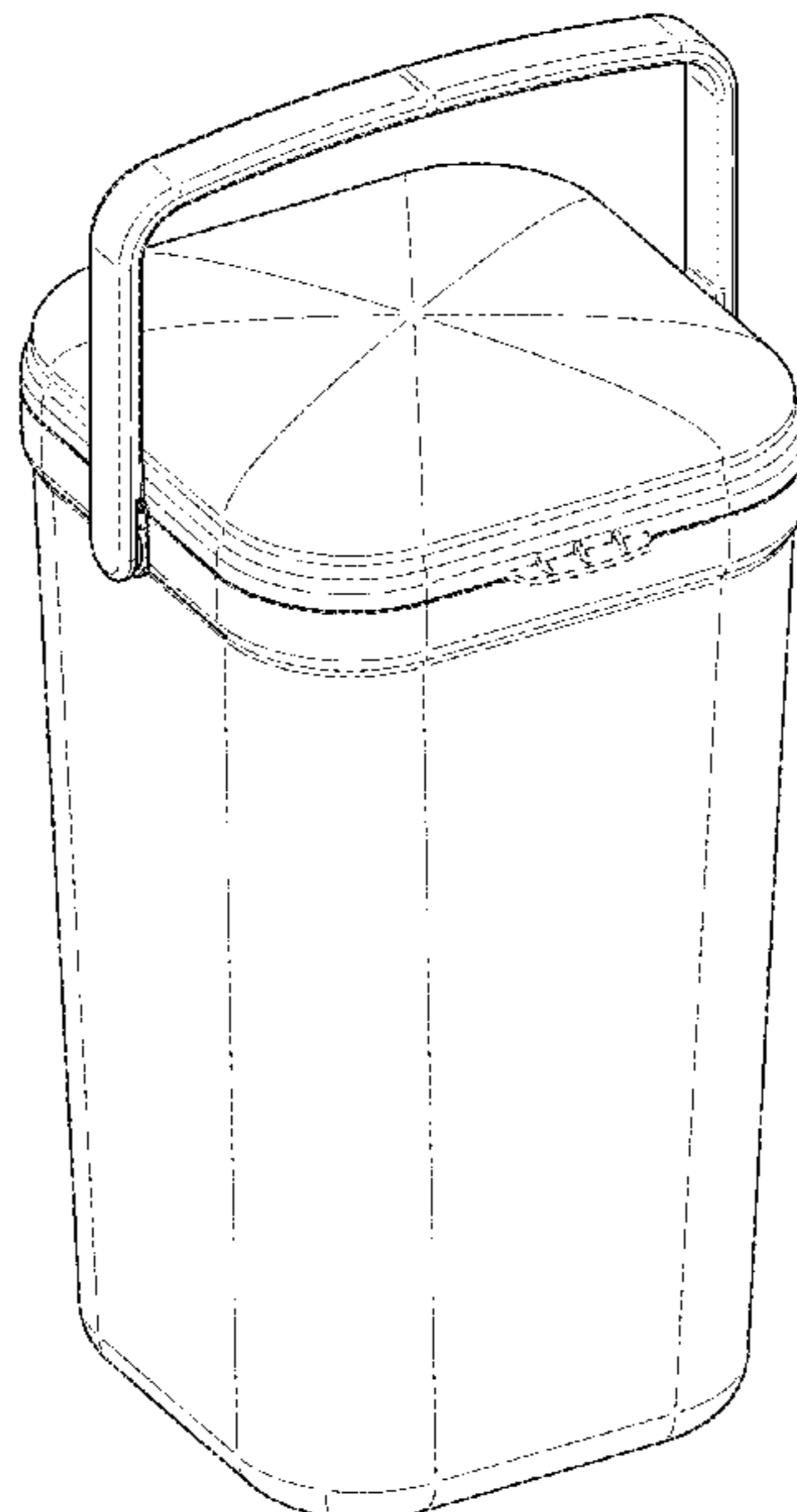
2,016,558	A *	10/1935	Redrup	B65D 43/267
					220/263
D215,056	S *	8/1969	Schwertley	D30/109
8,646,821	B2 *	2/2014	Holcomb	A47J 43/288
					294/180
D775,464	S *	1/2017	Aller	D3/304
D794,878	S *	8/2017	Hussey	D30/160
D815,781	S *	4/2018	Harrington	D30/161
D870,988	S *	12/2019	Teper	D30/161
2011/0254296	A1 *	10/2011	Chavez	E01H 1/1206
					294/1.3

* cited by examiner

Primary Examiner — Aula Soroush

FIG. 1 is a front left top perspective view of a disposal bin showing our new design;
 FIG. 2 is a rear right top perspective view thereof;
 FIG. 3 is a front elevation view thereof;
 FIG. 4 is a rear elevation view thereof;
 FIG. 5 is a right side elevation thereof, the left side elevation view being a mirror image thereof;
 FIG. 6 is a top view thereof;
 FIG. 7 is a bottom view thereof;
 FIG. 8 is a front left top perspective view of a disposal bin insert shown in isolation for ease of illustration;
 FIG. 9 is a rear right top perspective view thereof;
 FIG. 10 is a front elevation view thereof, the rear elevation view being the same;
 FIG. 11 is a right side elevation view thereof, the left side elevation view being the same;
 FIG. 12 is a top view thereof;
 FIG. 13 is a bottom view thereof;
 FIG. 14 is a front perspective view of a disposal bin lid netting shown in isolation for ease of illustration;
 FIG. 15 is a top view thereof, the bottom view being the same;
 FIG. 16 is a front elevation view thereof, the rear elevation view, left side elevation view and right side elevation view all being the same; and,
 FIG. 17 is an exploded view of the disposal bin.
 The broken lines in the drawings illustrate portions of the disposal bin that form no part of the claimed design.

1 Claim, 14 Drawing Sheets



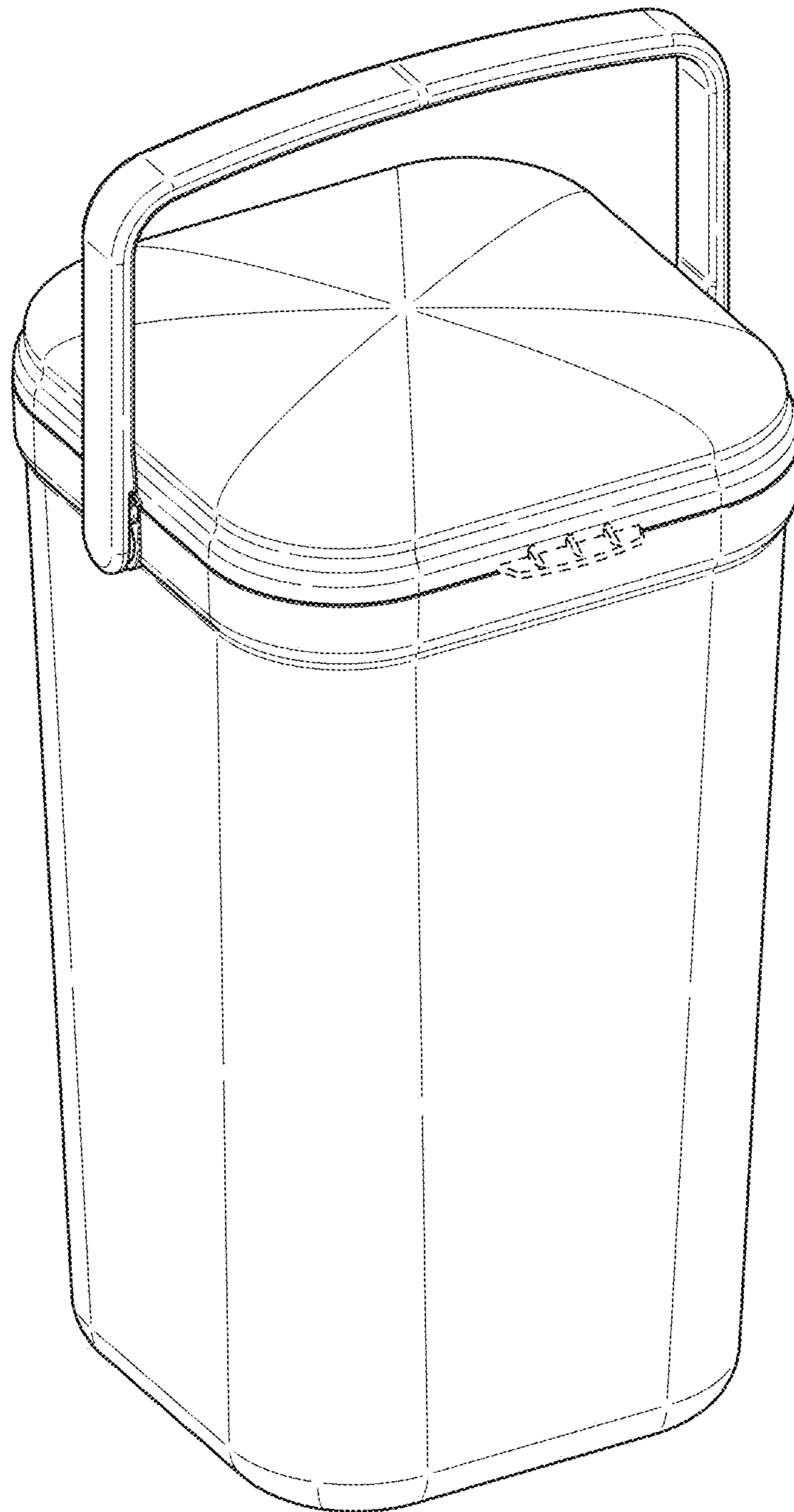


FIG. 1

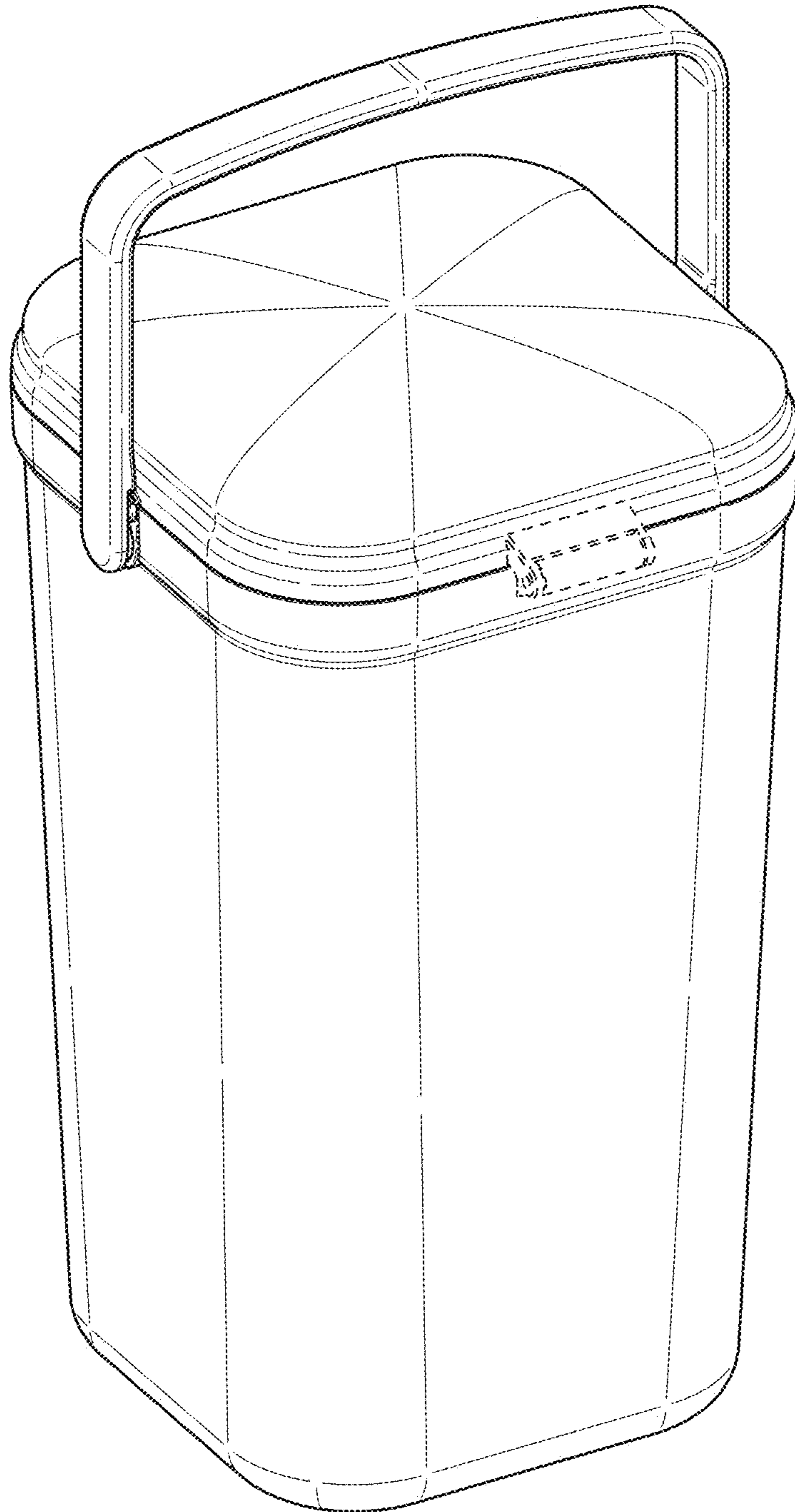


FIG. 2

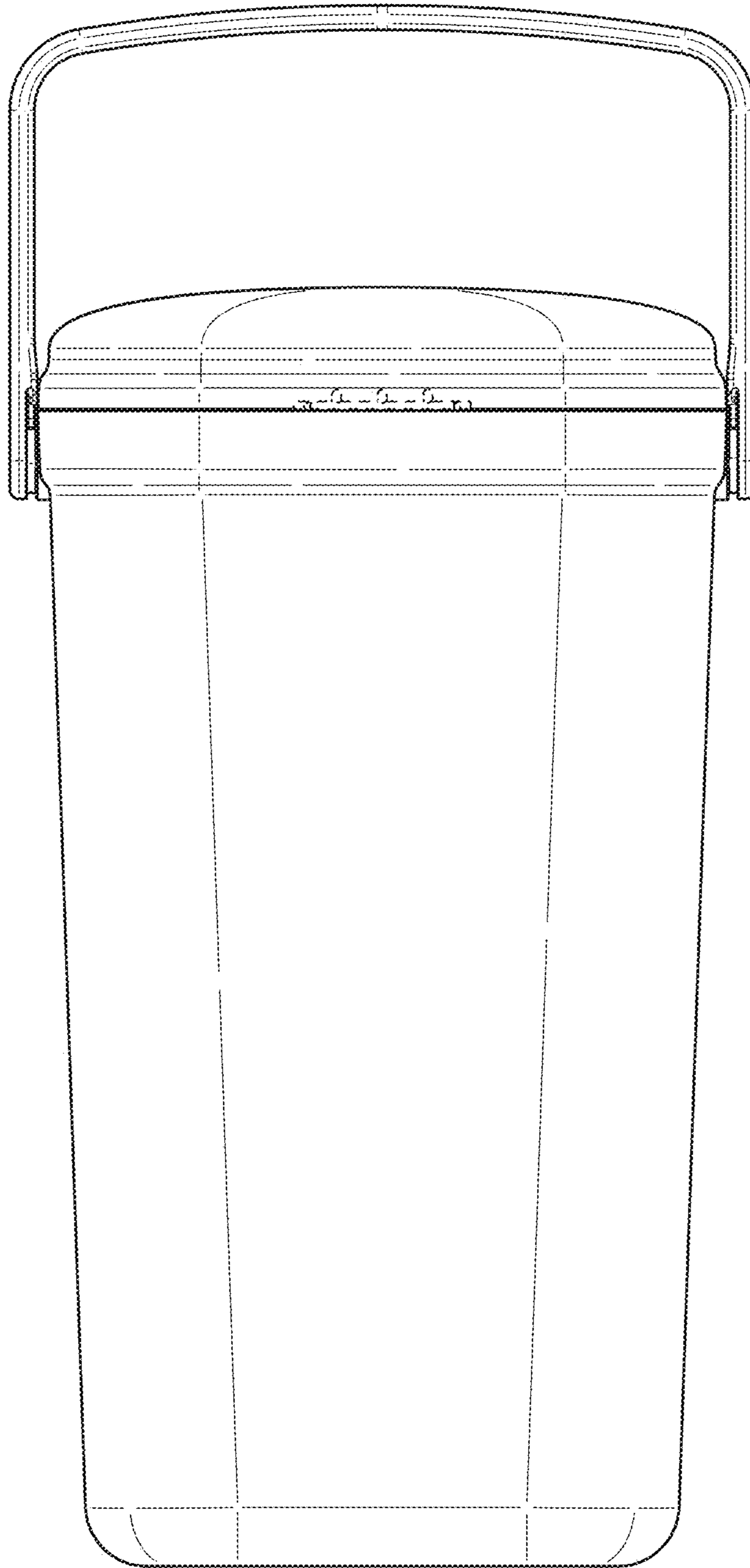


FIG. 3

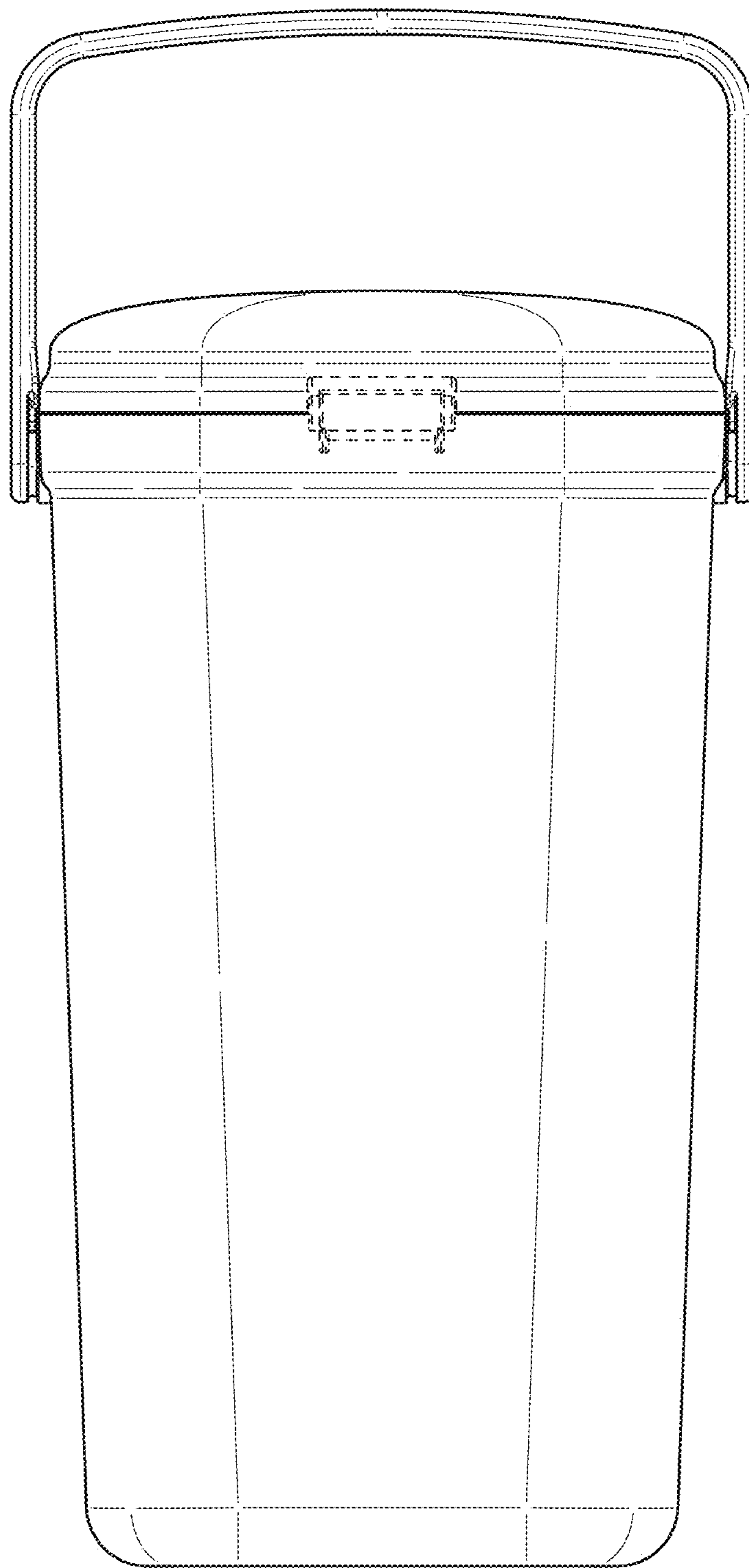


FIG. 4

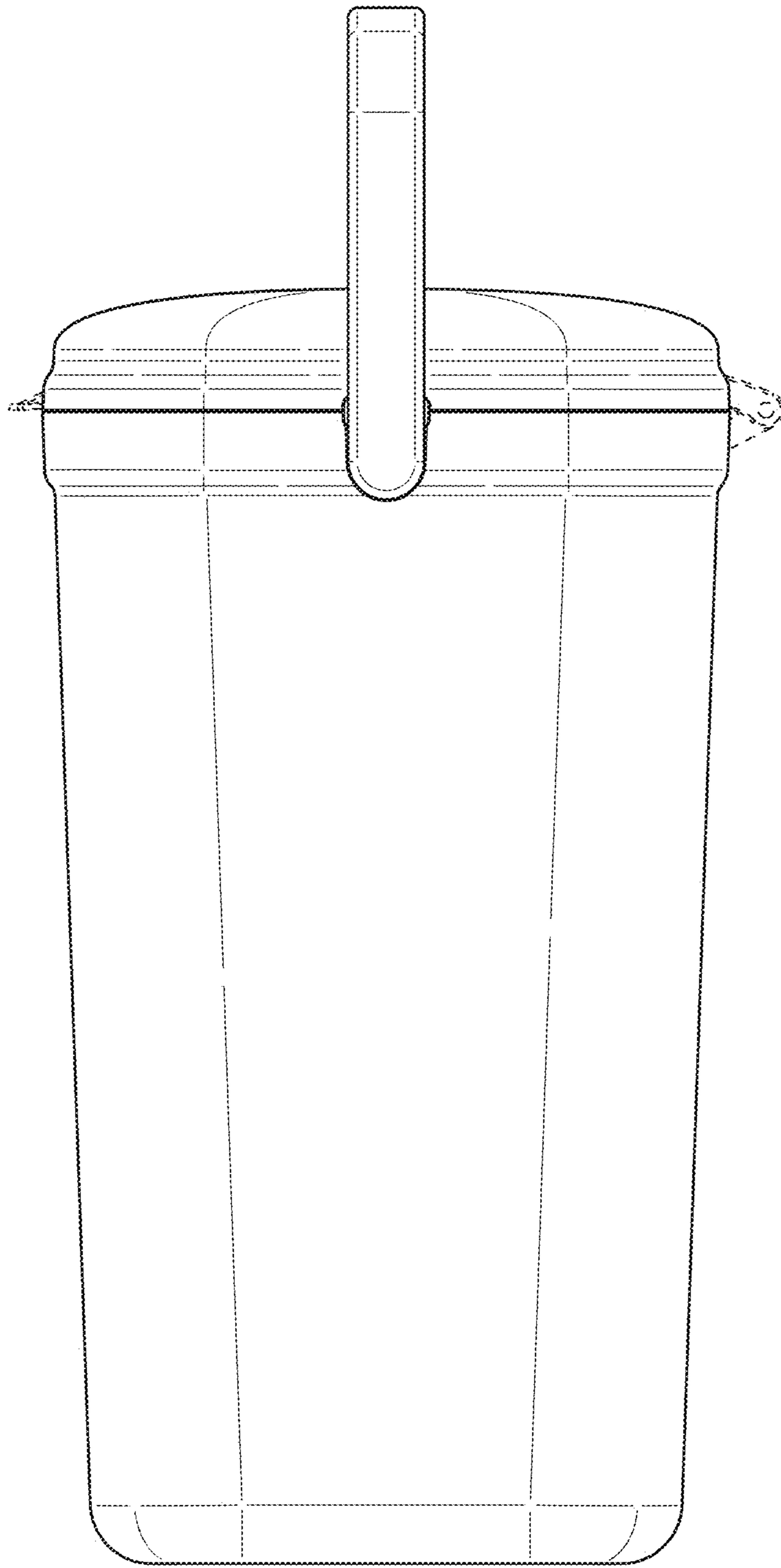


FIG. 5

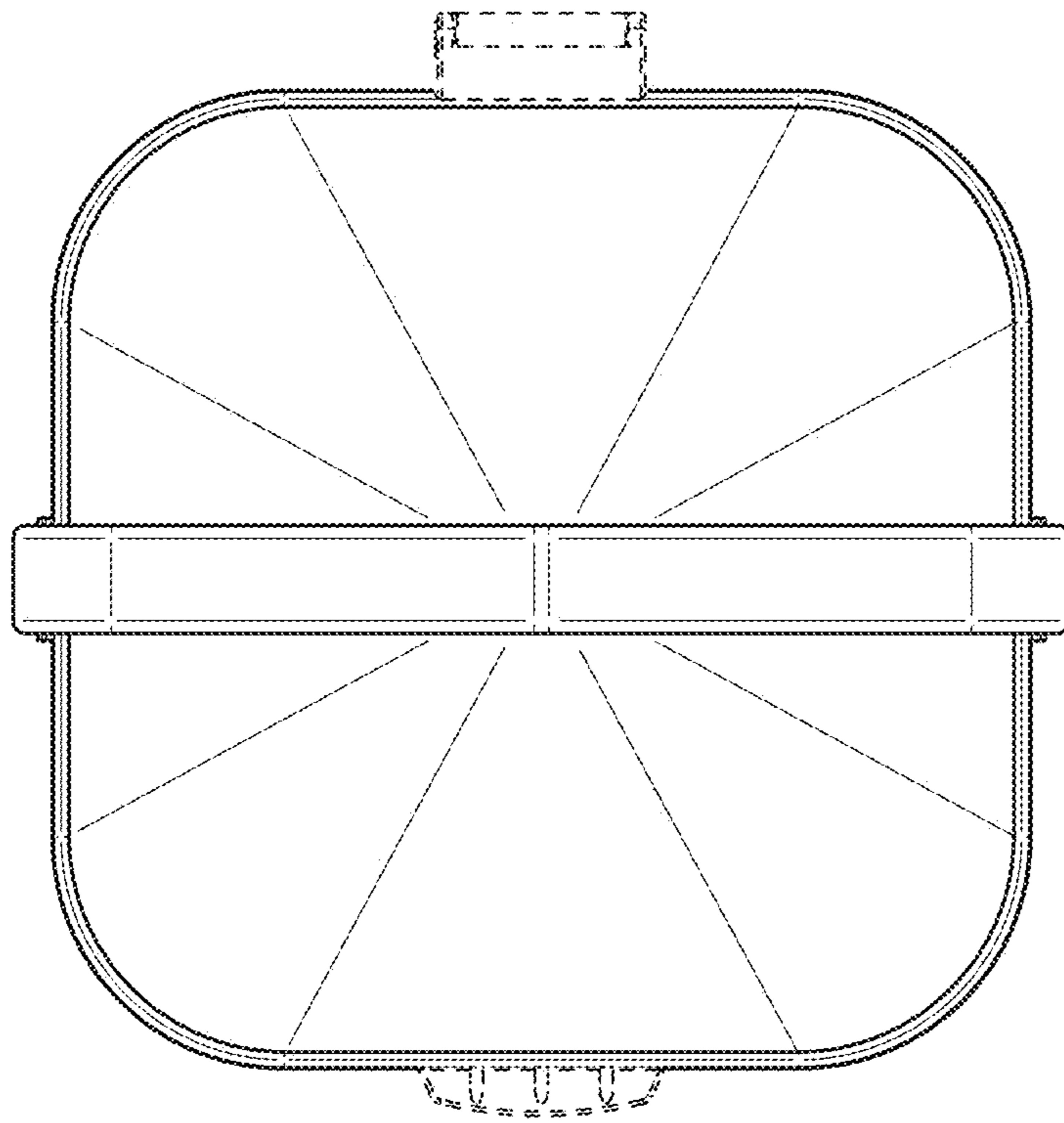


FIG. 6

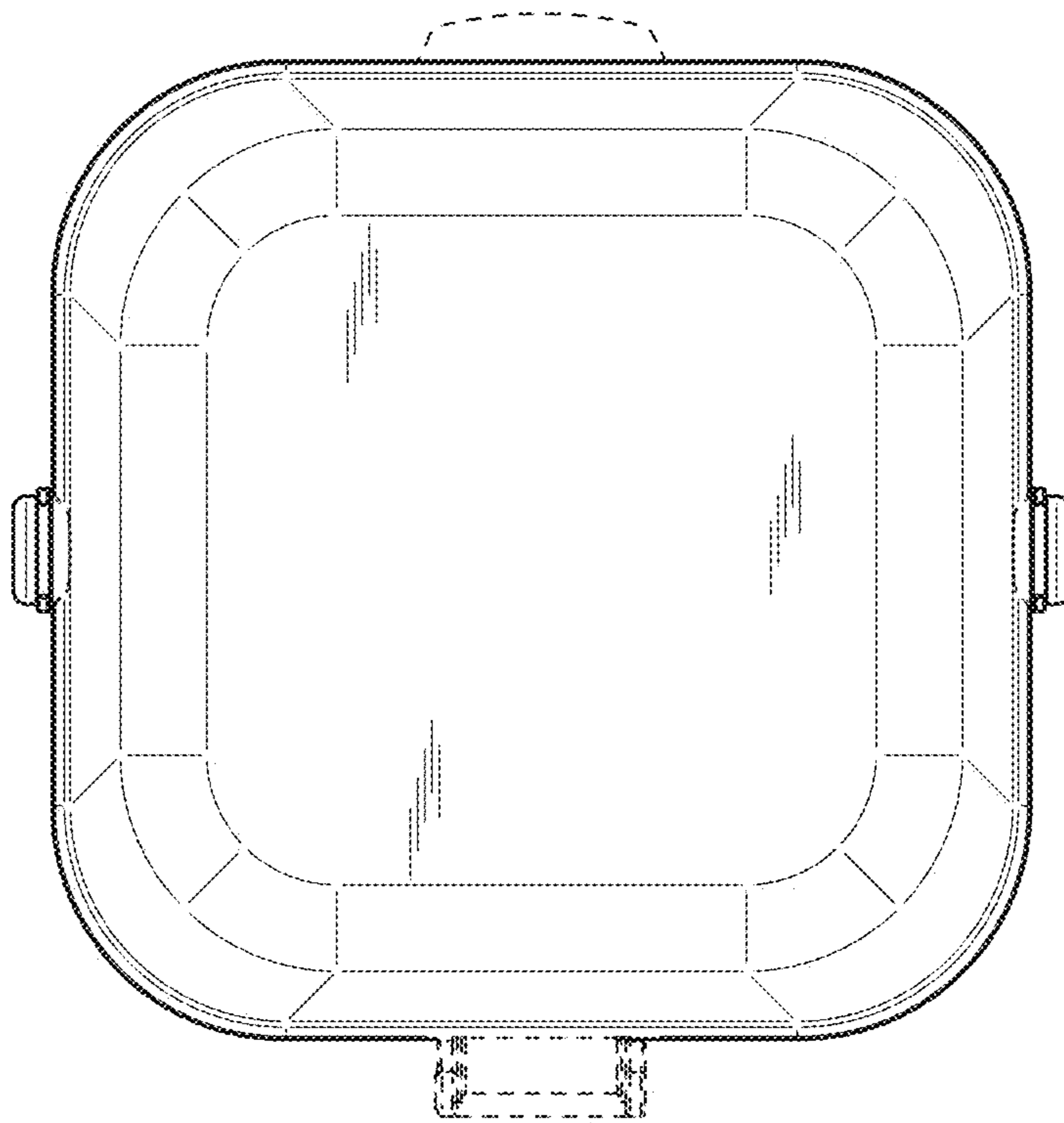


FIG. 7

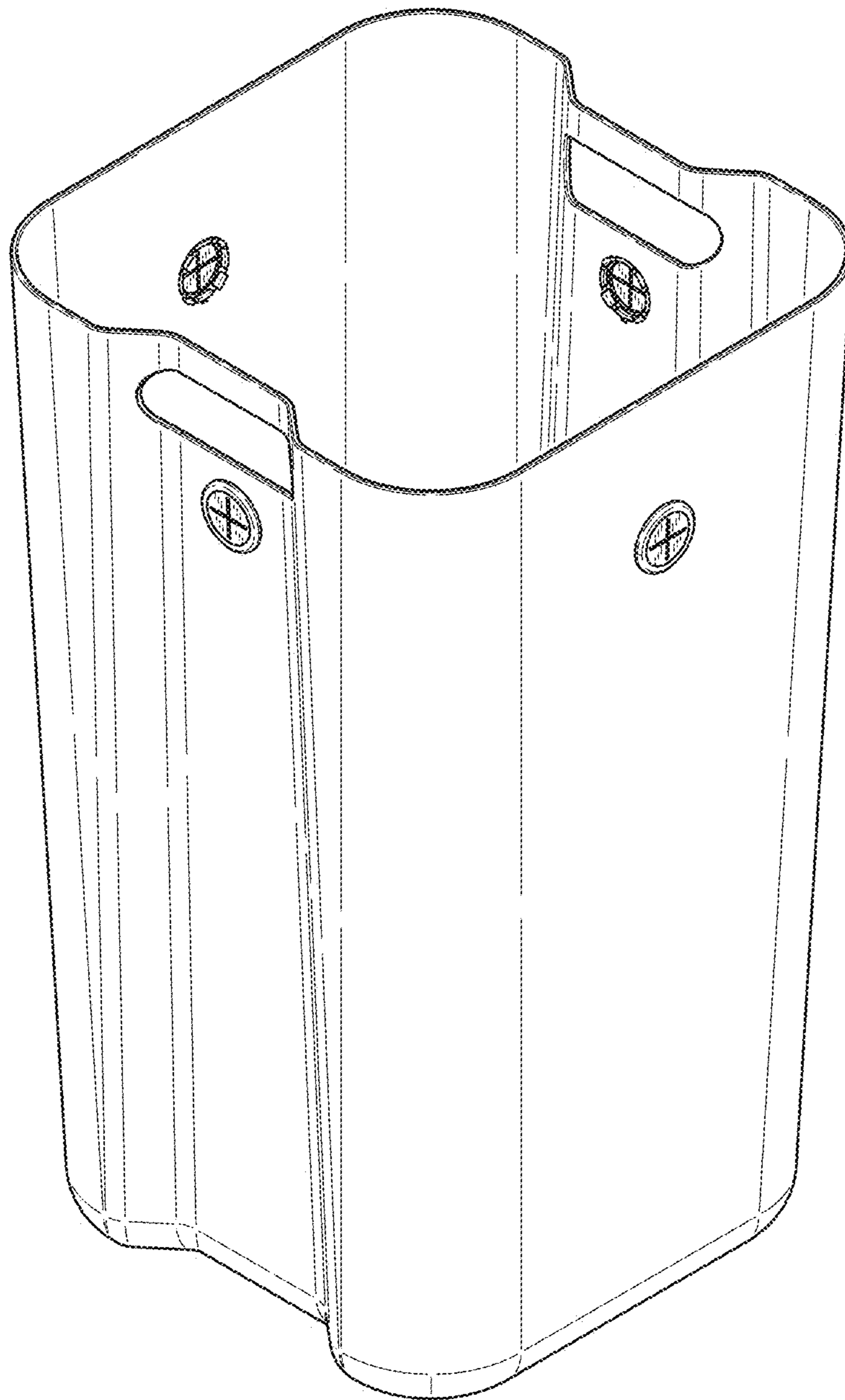


FIG. 8

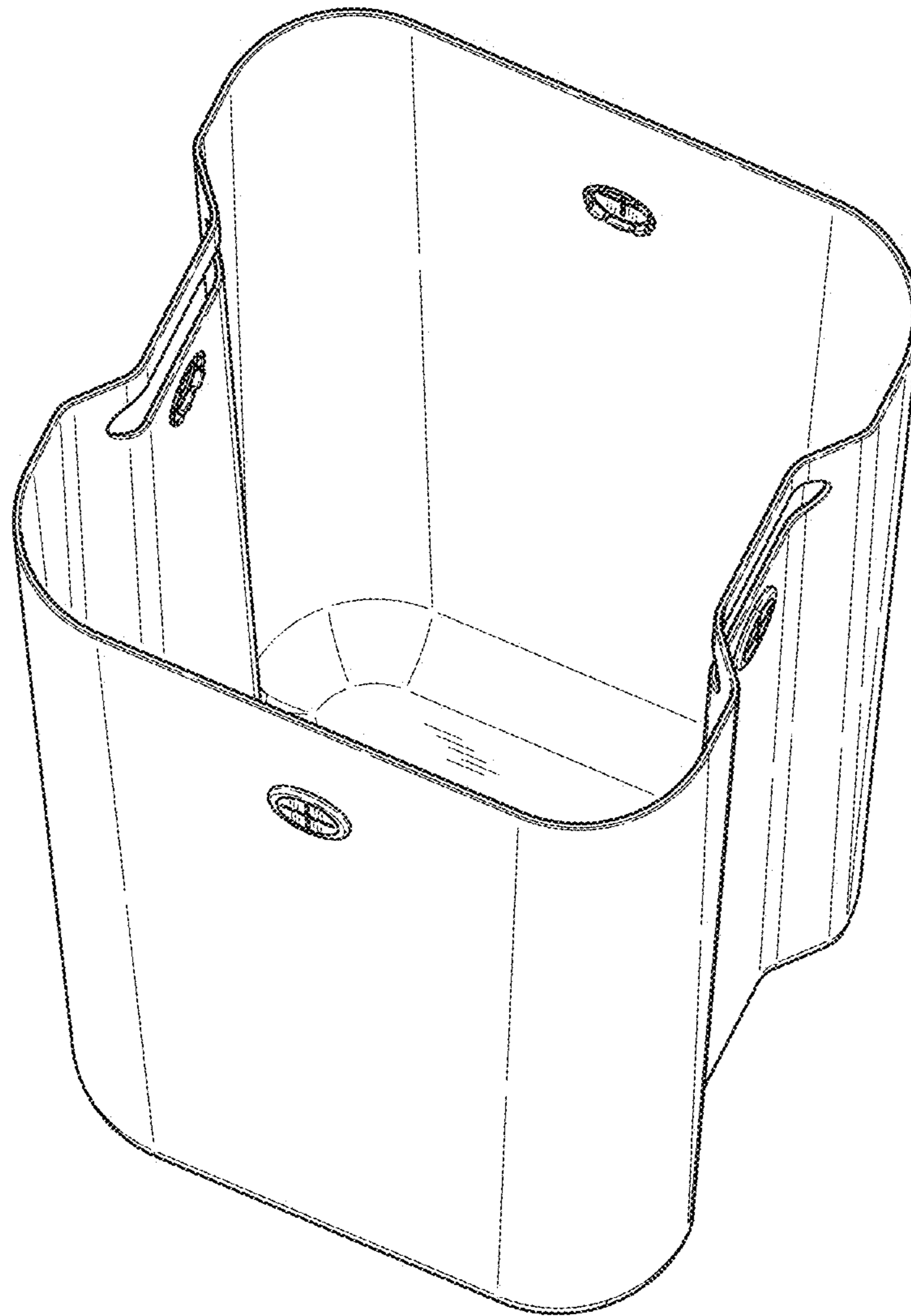


FIG. 9

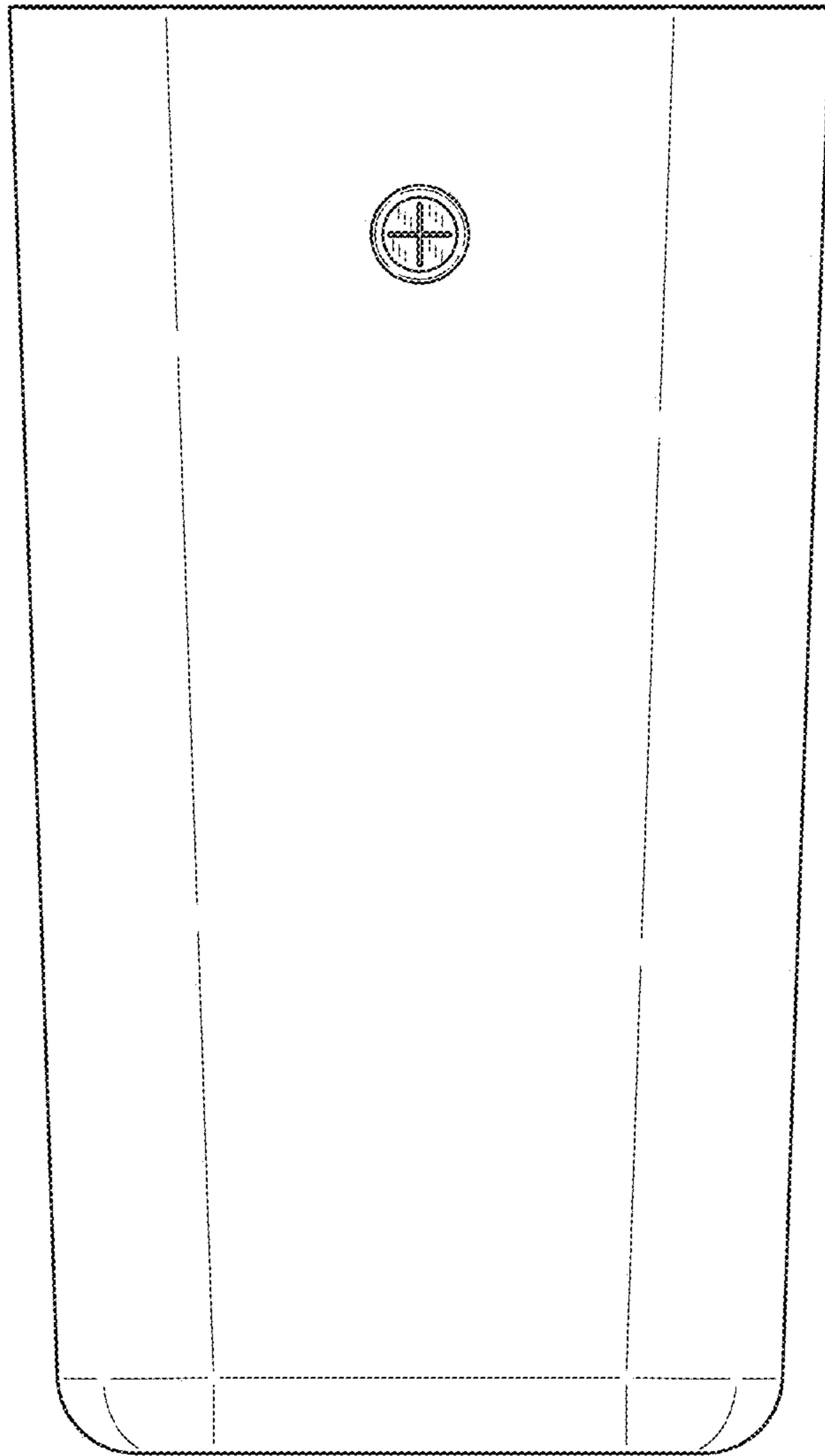


FIG. 10

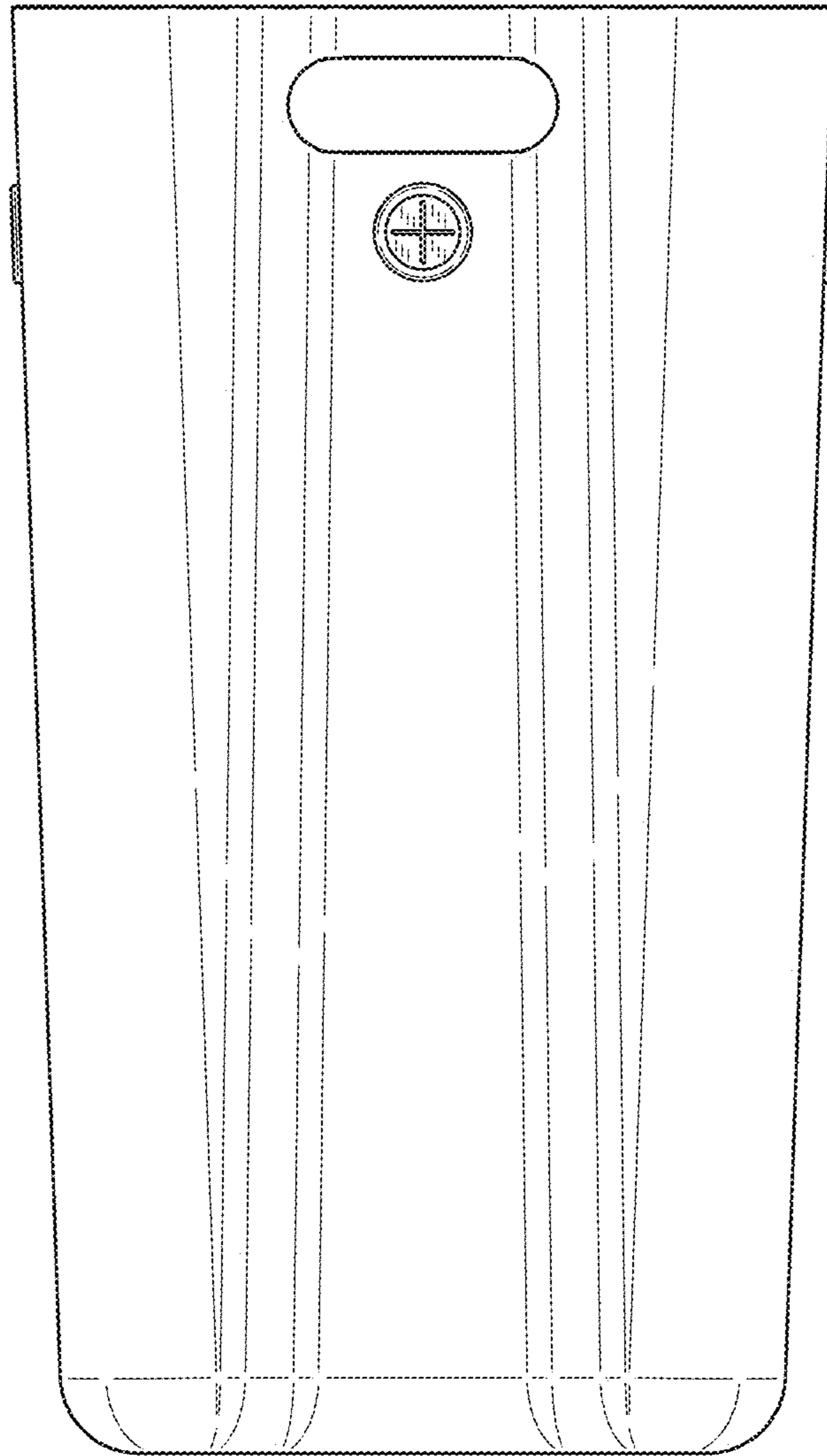


FIG. 11

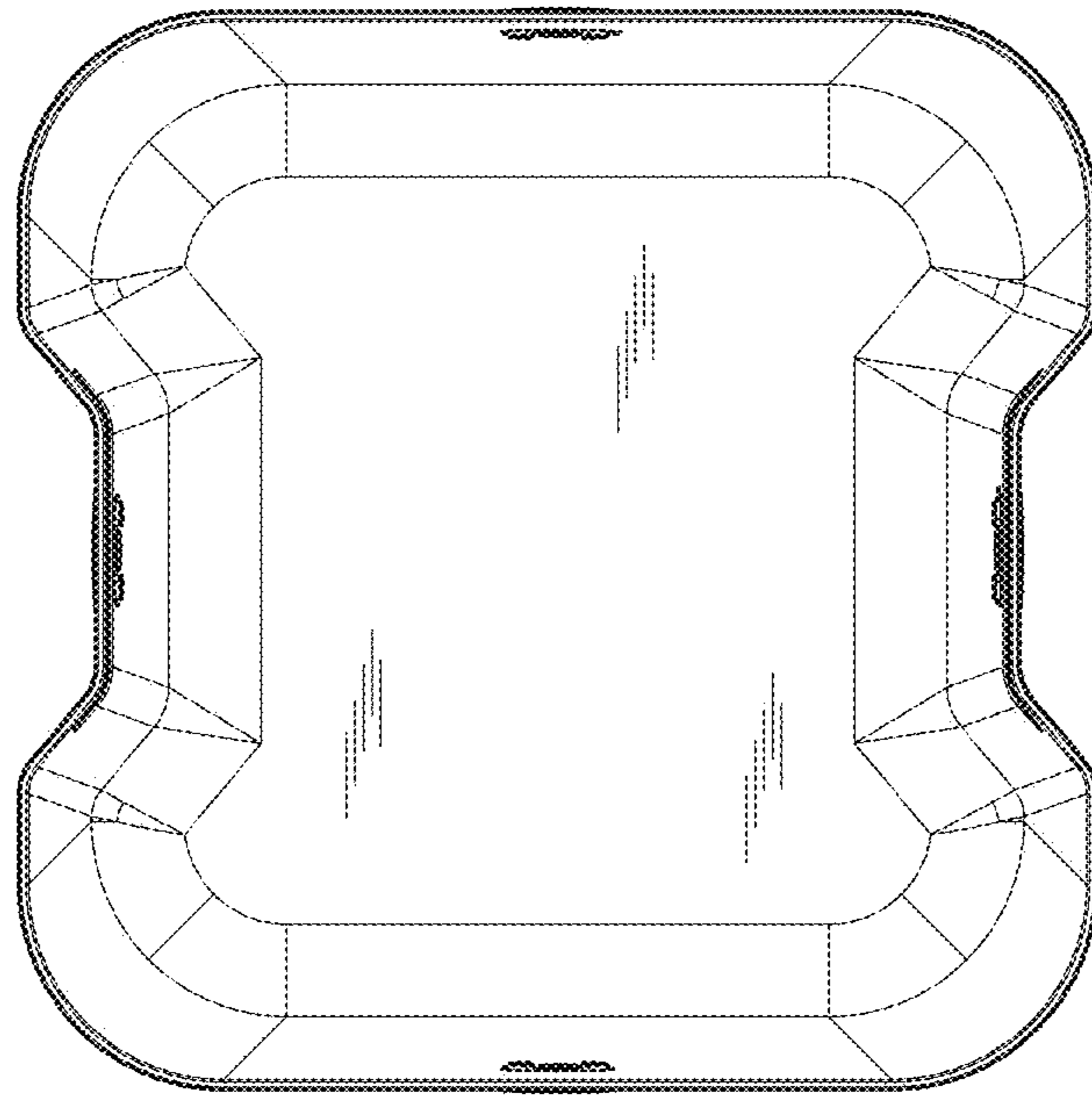


FIG. 12

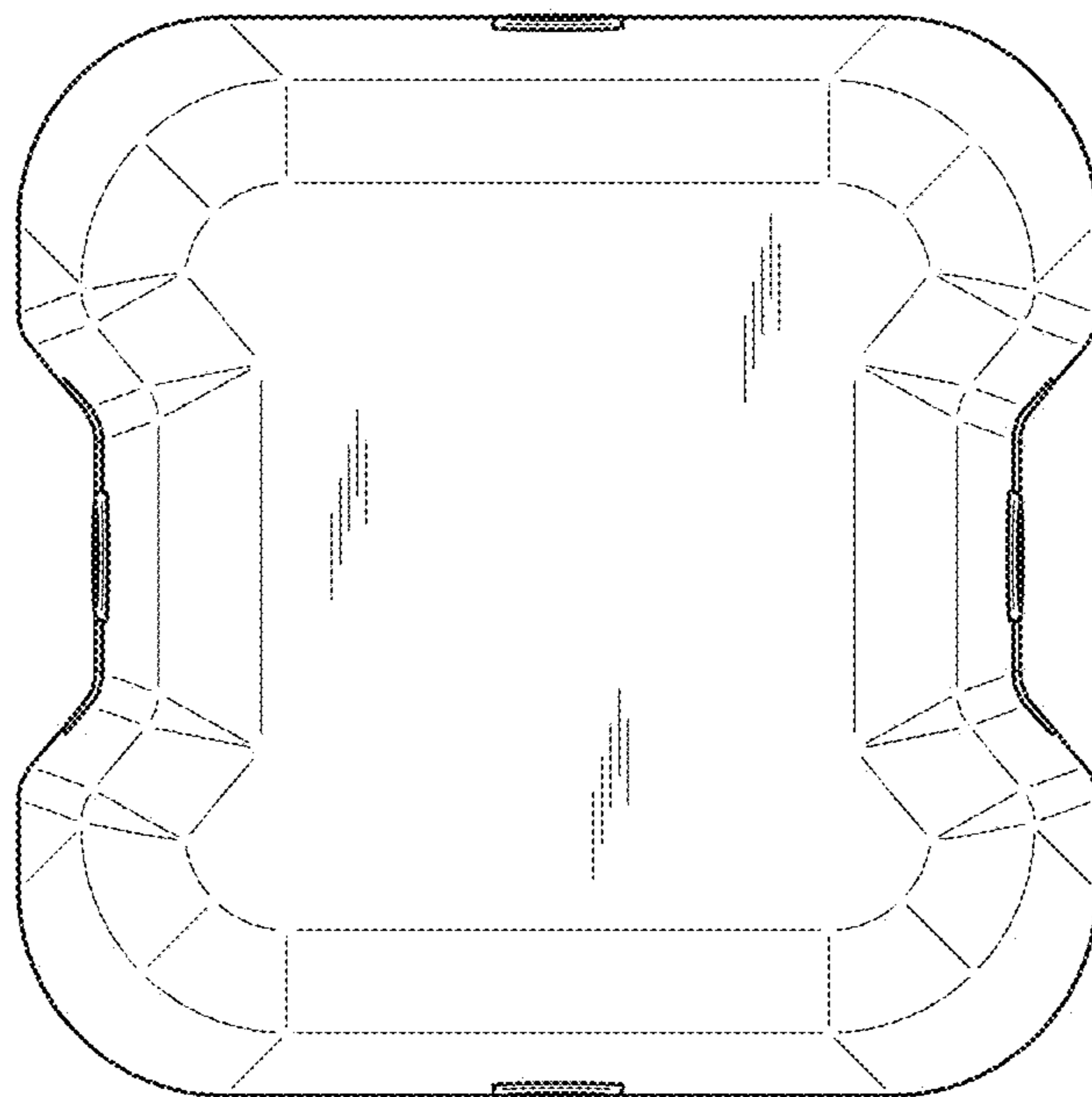


FIG. 13

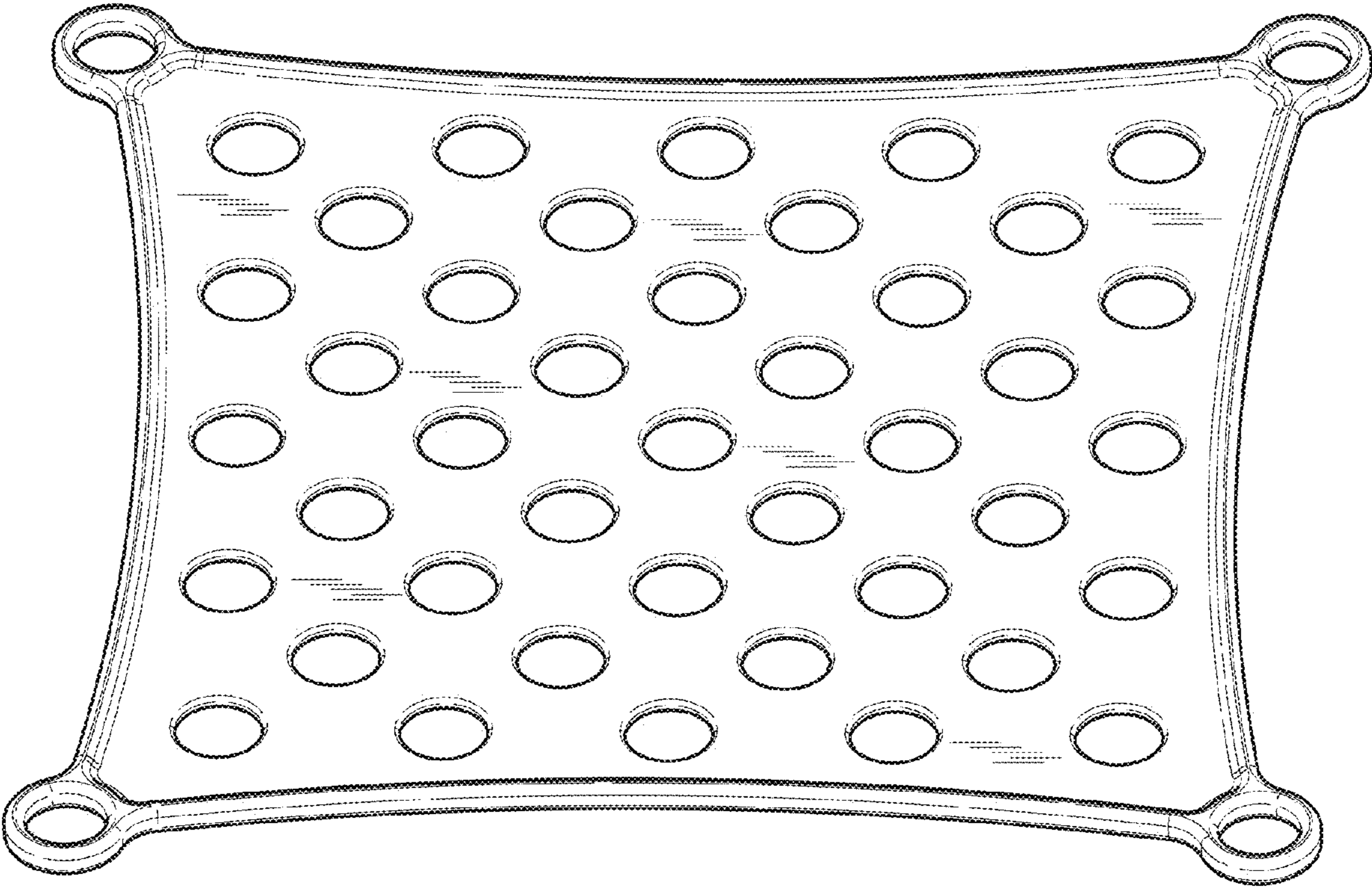


FIG. 14

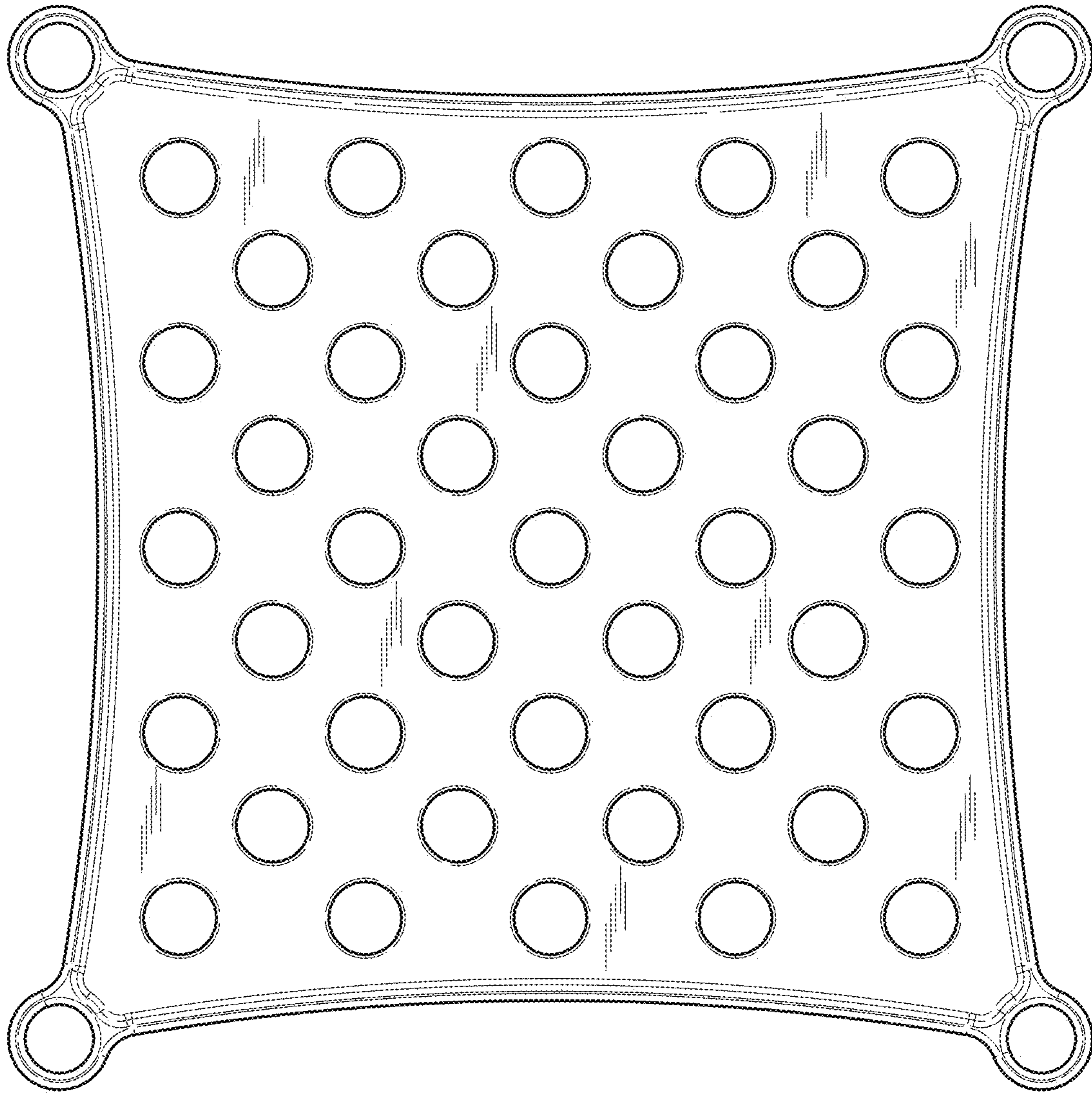


FIG. 15

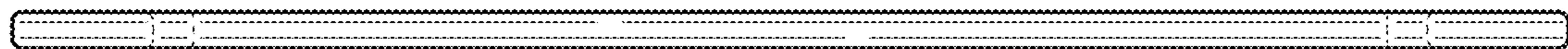


FIG. 16

FIG. 17

