



US00D930290S

(12) **United States Design Patent**
He

(10) **Patent No.:** **US D930,290 S**

(45) **Date of Patent:** **** Sep. 7, 2021**

(54) **CAT TREE**

(71) Applicant: **HANGZHOU PETSBELLE
PRODUCT CO., LTD.**, Zhejiang (CN)

(72) Inventor: **Haijiao He**, Zhejiang (CN)

(73) Assignee: **HANGZHOU PETSBELLE
PRODUCT CO., LTD.**, Hangzhou
(CN)

(**) Term: **15 Years**

(21) Appl. No.: **29/650,131**

(22) Filed: **Jun. 5, 2018**

(30) **Foreign Application Priority Data**

Dec. 5, 2017 (CN) 201730612607.X

(51) **LOC (13) Cl.** **30-99**

(52) **U.S. Cl.**
USPC **D30/161**

(58) **Field of Classification Search**
USPC D30/108-120, 158-161; D3/304
CPC A01K 1/0245; A01K 5/0114; A01K 15/02;
A01K 15/04
See application file for complete search history.

(56) **References Cited**

U.S. PATENT DOCUMENTS

D224,686 S * 8/1972 Dewitt 119/28.5
D232,036 S * 7/1974 Willinger 119/452

D261,186 S * 10/1981 Michalski D30/158
D364,489 S * 11/1995 Cook D30/108
5,465,682 A * 11/1995 Chavallo, Jr. A01K 1/033
119/498
D397,832 S * 9/1998 Allen D30/108
D422,754 S * 4/2000 Kolozsvari D30/118
D460,222 S * 7/2002 DeRaspe-Bolles D30/118
D473,020 S * 4/2003 DeRaspe-Bolles D30/118
D846,206 S * 4/2019 He D30/160
D846,818 S * 4/2019 He D30/160
2011/0155073 A1 * 6/2011 Kilroy A01K 15/024
119/247

* cited by examiner

Primary Examiner — Aula Soroush

(74) *Attorney, Agent, or Firm* — Platinum Intellectual
Property LLP

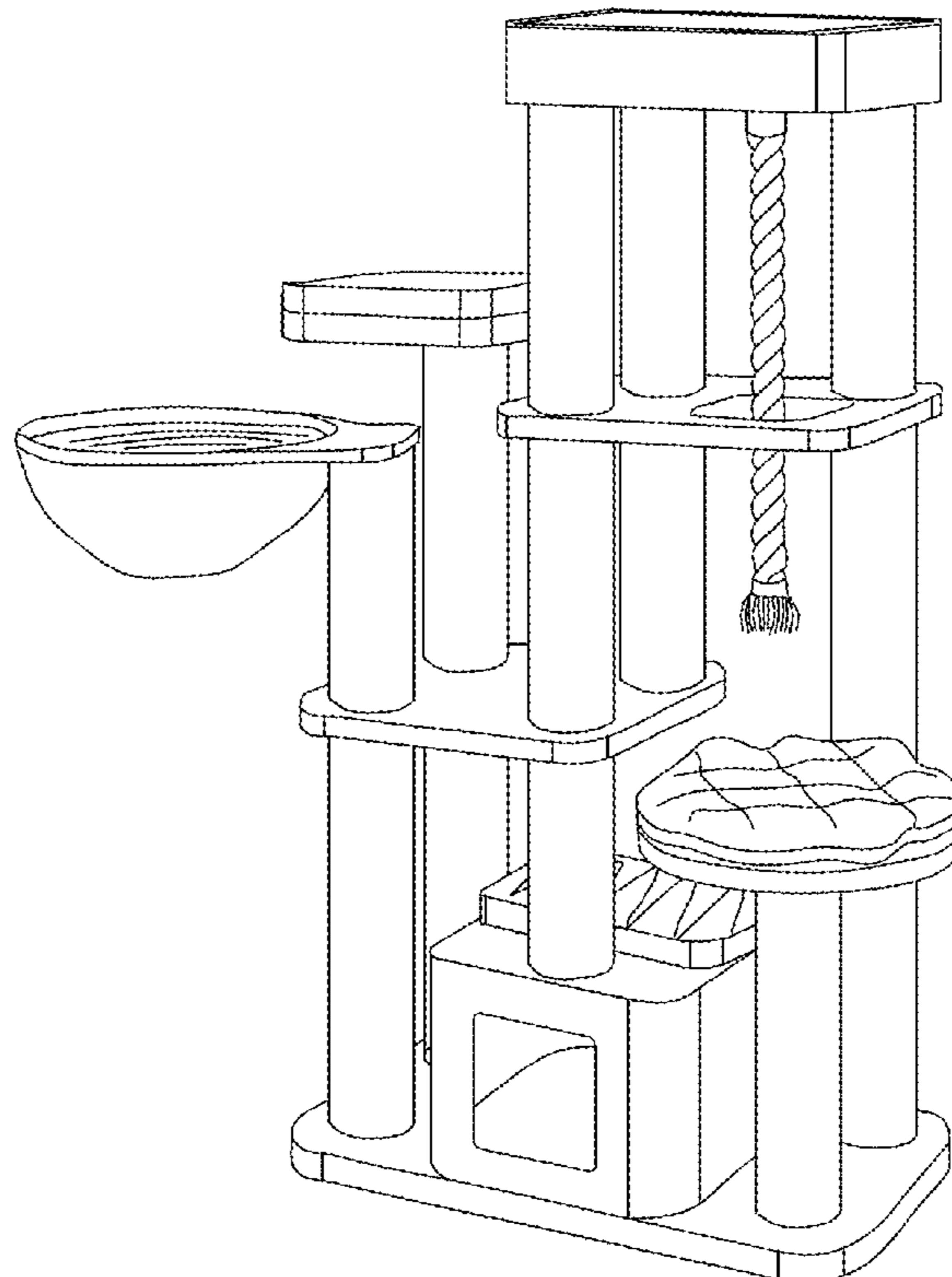
(57) **CLAIM**

The ornamental design for a cat tree, as shown.

DESCRIPTION

FIG. 1 is a perspective view of a cat tree showing my new design;
FIG. 2 is a front elevation view thereof;
FIG. 3 is a rear elevation view thereof;
FIG. 4 is a left side elevation view thereof;
FIG. 5 is a right side elevation view thereof; and,
FIG. 6 is a top plan view thereof.
The broken lines in the drawings illustrate portions of the cat tree that form no part of the claimed design.

1 Claim, 6 Drawing Sheets



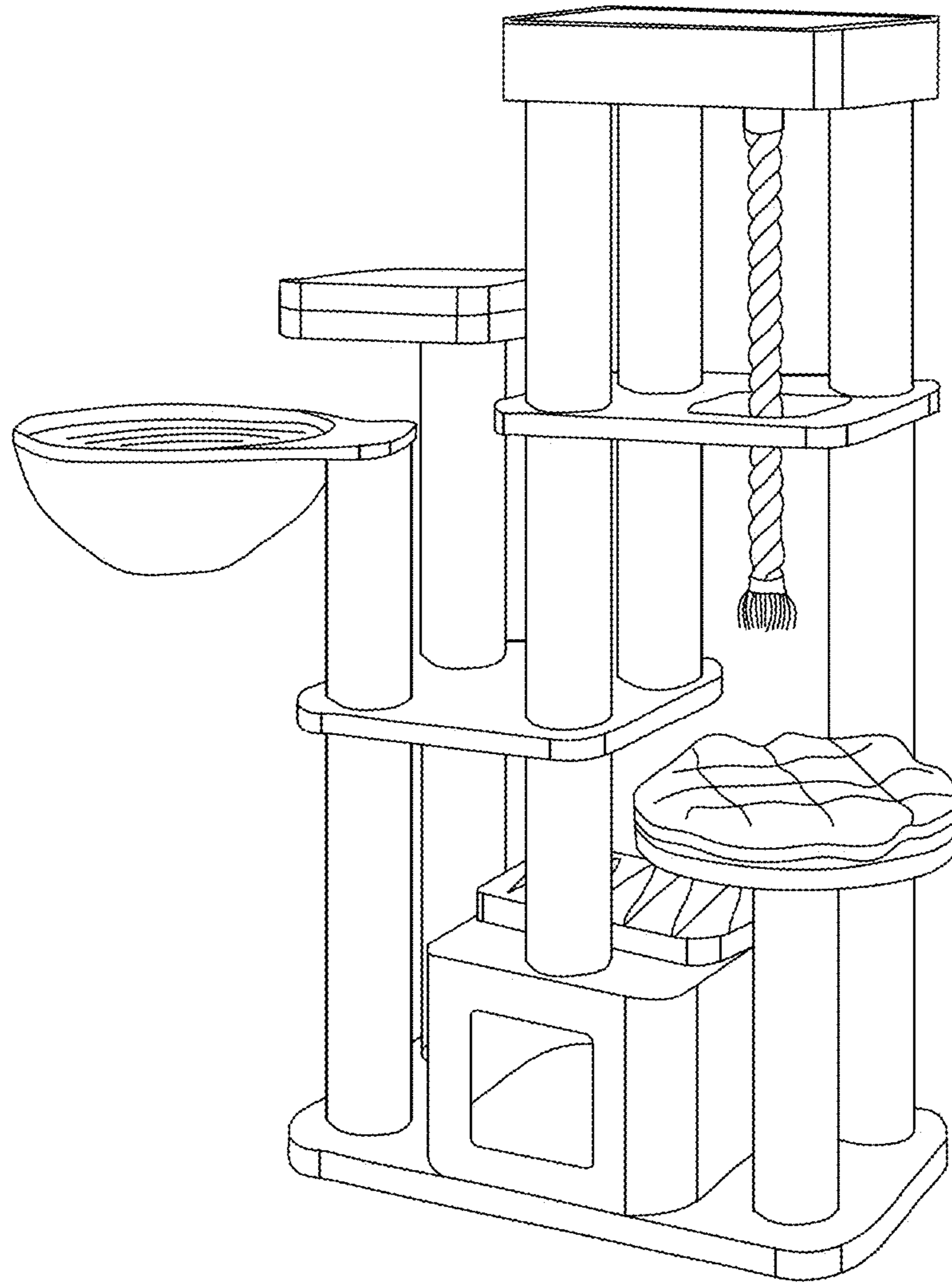


FIG.1

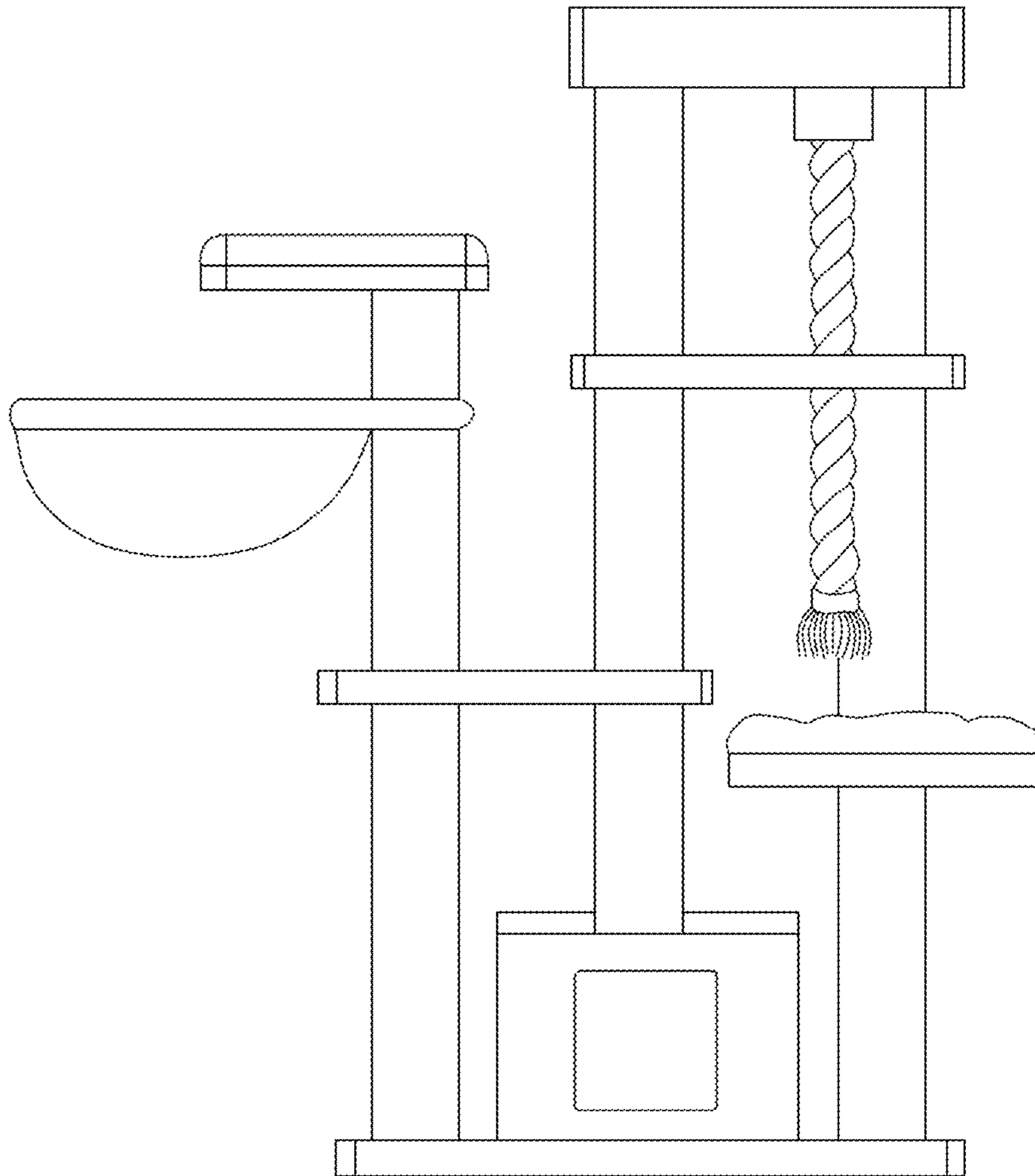


FIG. 2

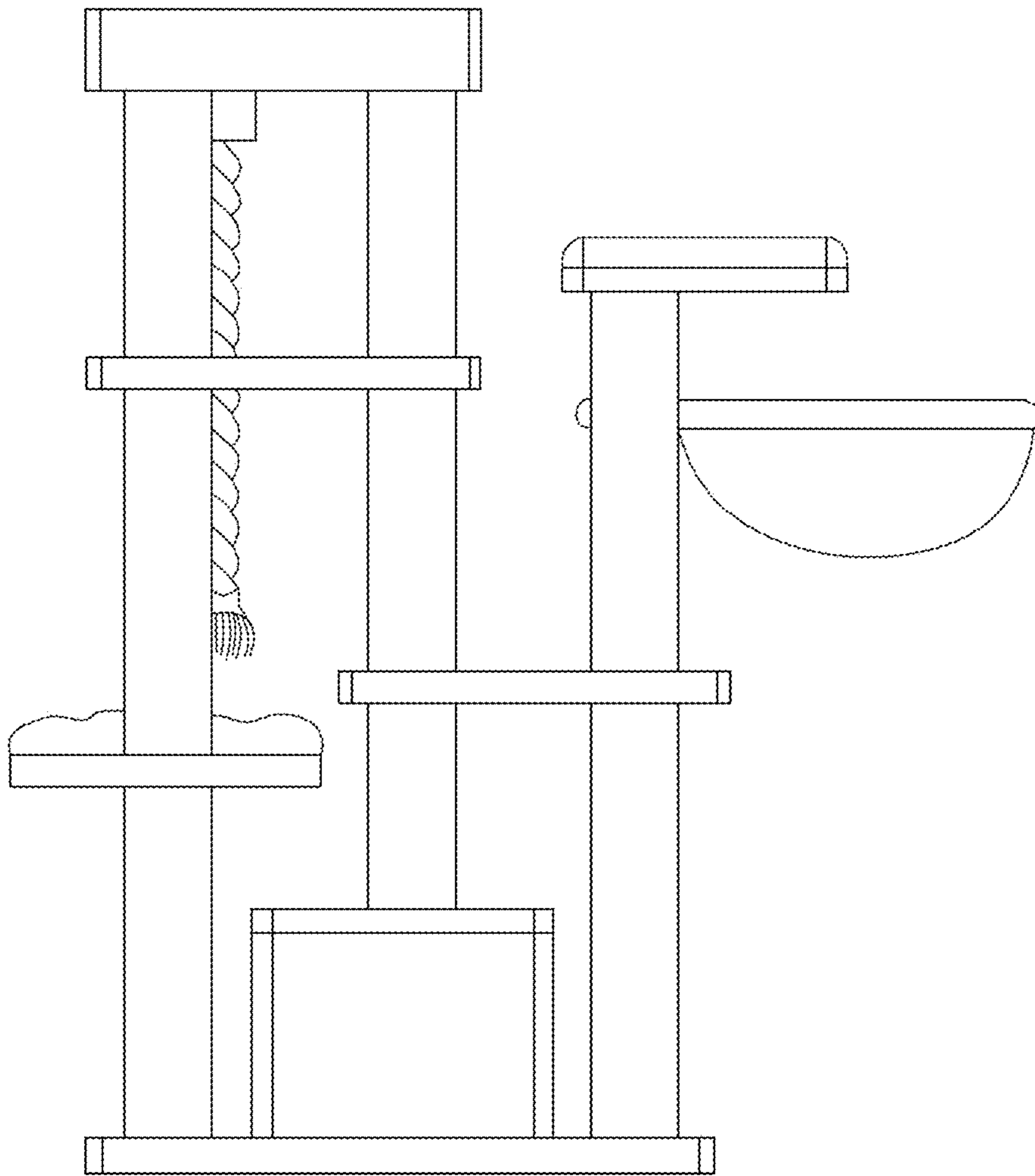


FIG.3

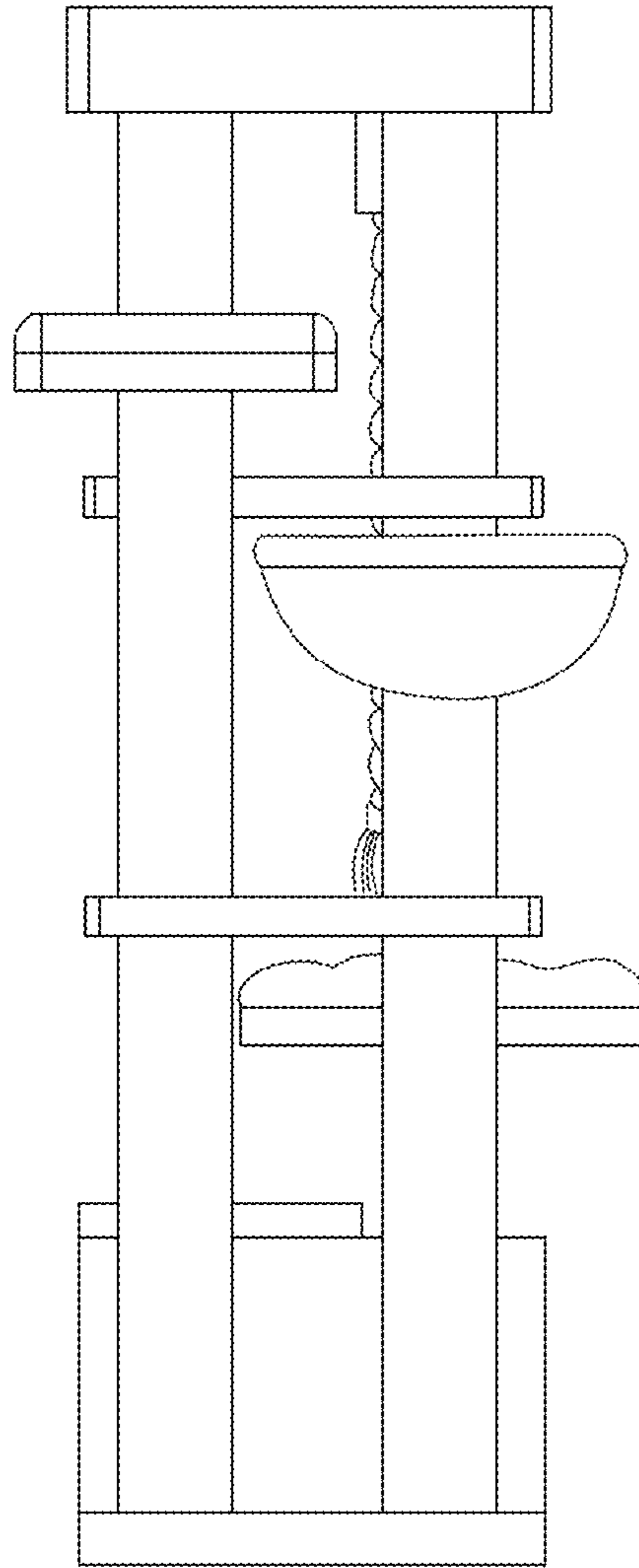


FIG. 4

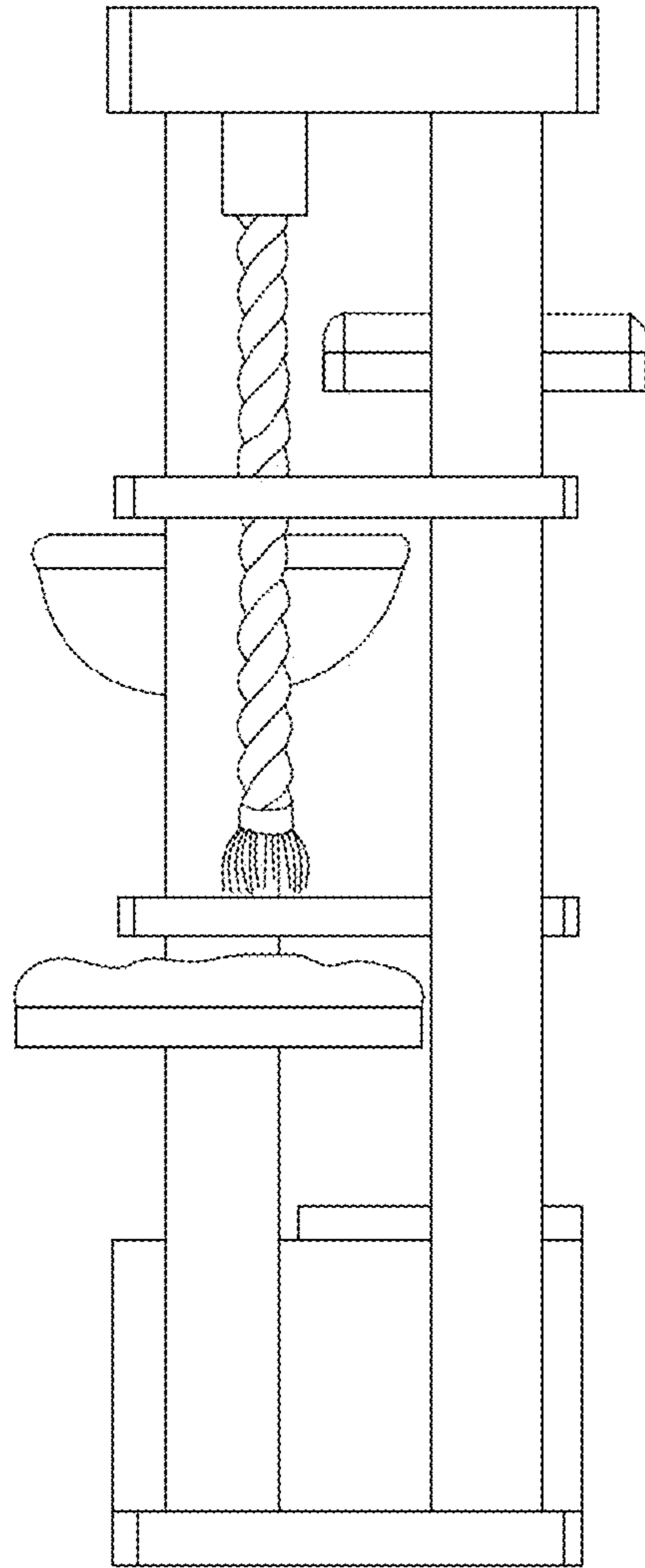


FIG. 5

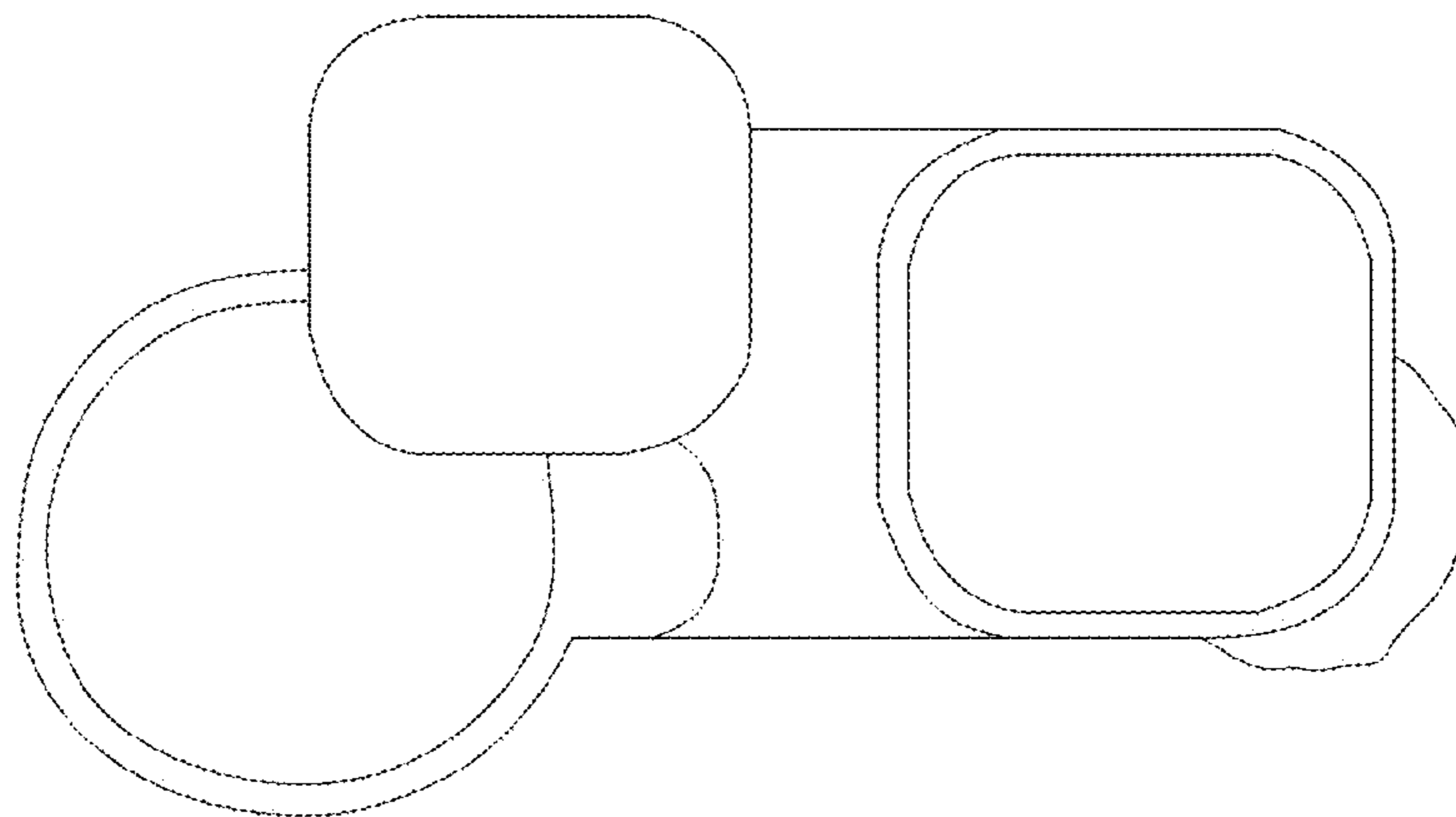


FIG. 6