



US00D930287S

(12) **United States Design Patent** (10) **Patent No.:** **US D930,287 S**
Toolan et al. (45) **Date of Patent:** **** Sep. 7, 2021**

(54) **PET CHEW TOY**

A63B 2220/803; A63B 2220/833; A63B 43/004; A63B 43/06; A63B 71/0622; A63B

(71) Applicant: **Benebone LLC**, Westport, CT (US)

(Continued)

(72) Inventors: **Peter Toolan**, Westport, CT (US); **Evan L. Ryan**, Highland Park, IL (US)

(56) **References Cited**

(73) Assignee: **Benebone LLC**, Westport, CT (US)

U.S. PATENT DOCUMENTS

(**) Term: **15 Years**

6,360,693 B1 * 3/2002 Long, III A01K 15/026
119/707

(21) Appl. No.: **29/718,754**

D461,025 S * 7/2002 Pentland D1/199
(Continued)

(22) Filed: **Dec. 27, 2019**

OTHER PUBLICATIONS

Related U.S. Application Data

Benebone Maplestick, posted at amazon.com, earliest date reviewed on Aug. 9, 2018, [online], acquired on Jun. 14, 2019. Available from Internet, https://www.amazon.com/Benebone-Maplestick-Durable-Flavor-Medium/dp/B07F6VB2KW/ref=cm_cr_arp_d_product_top?ie=UTF8 (Year: 2018).*

(63) Continuation of application No. 29/627,408, filed on Nov. 27, 2017, now Pat. No. Des. 871,686.

(51) **LOC (13) Cl.** **30-99**

(Continued)

(52) **U.S. Cl.**
USPC **D30/160**

(58) **Field of Classification Search**
USPC D21/398, 400, 402, 412, 415, 426, 436, D21/439, 440, 441, 443, 455, 460-462, D21/466-468, 479, 495, 563, 656, 712, D21/713, 788, 799.1, 470, 681, 386, 484, D21/707, 408, 437, 673, 678, 679, 682; D24/211, 212, 214, 215, 193-195; D30/160, 112, 119; D1/125-127, 120, D1/101, 104, 106, 199, 108, 115

CPC A63H 5/00; A63H 33/26; A63H 33/18; A63H 29/22; A63H 29/24; A63H 2200/00; A63H 11/00; A63H 13/00; A63H 18/02; A63H 18/14; A63H 18/16; A63H 29/00; A63H 33/009; A63H 33/22; A63H 33/3055; A63H 3/003; A63H 3/006; A63H 3/008; A63H 3/24; A63H 3/28; A63H 3/31; A63H 3/36; A63H 9/00; A63B 59/20; A63B 69/406; A63B 47/04; A63B 2220/51; A63B 2220/53; A63B 2220/56; A63B 2220/805; A63B 2071/0625; A63B 2071/063; A63B 2220/17; A63B 2220/18; A63B 2220/40;

Primary Examiner — Aula Soroush

(74) *Attorney, Agent, or Firm* — Zollinger & Burleson Ltd.

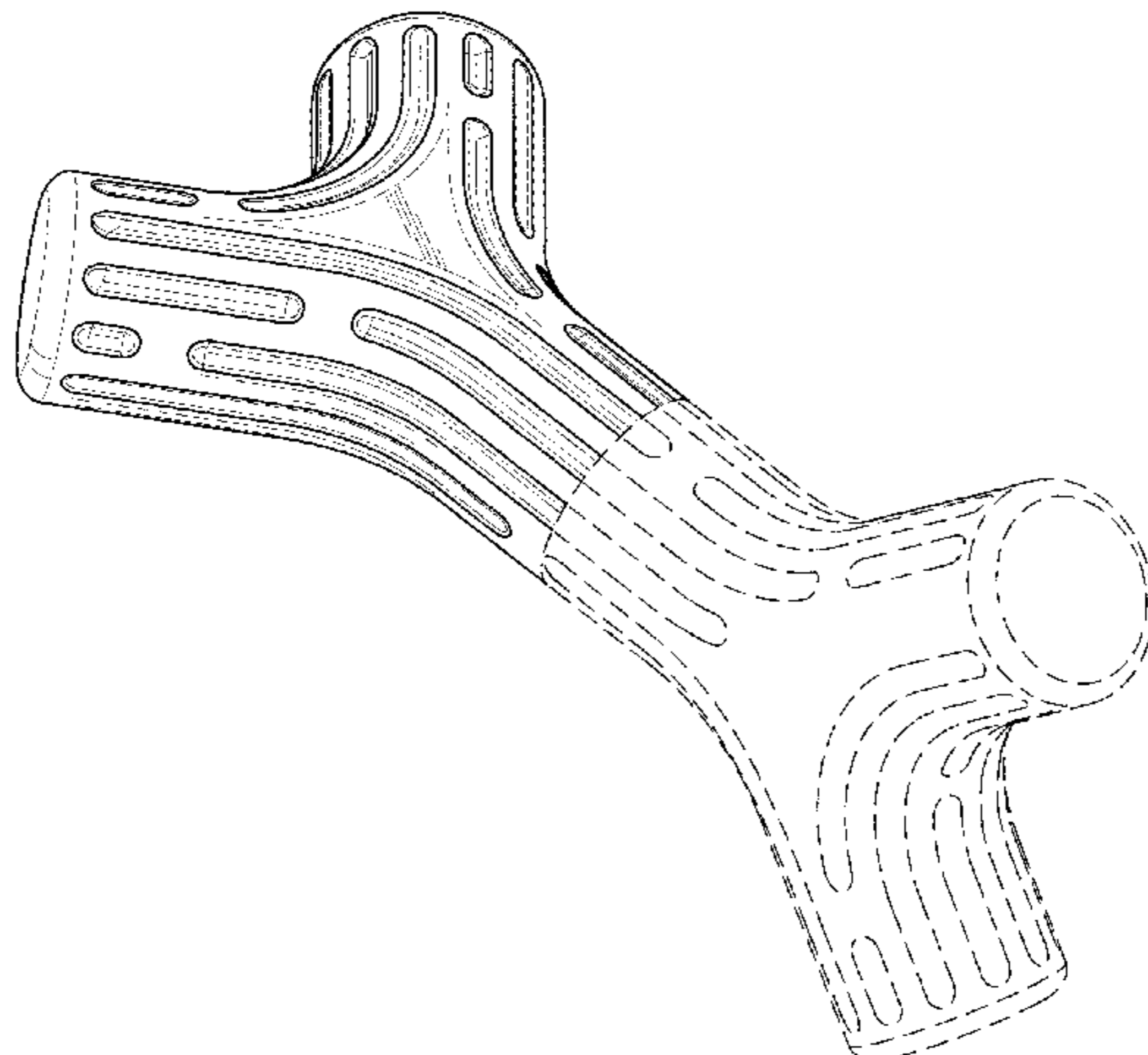
(57) **CLAIM**

The ornamental design for a pet chew toy, as shown and described.

DESCRIPTION

FIG. 1 is an upper right perspective view of a portion of a pet chew toy showing our new design.
FIG. 2 is a bottom right perspective view thereof.
FIG. 3 is a front elevation view of thereof.
FIG. 4 is a top plan view thereof.
FIG. 5 is a rear elevation view thereof.
FIG. 6 is a bottom plan view thereof.
FIG. 7 is a left side elevation view thereof; and,
FIG. 8 is a right side elevation view thereof.

(Continued)



The dashed lines in the drawings illustrate portions of the pet chew toy that form no part of the claimed design.

1 Claim, 8 Drawing Sheets

(58) **Field of Classification Search**

CPC 2071/0602; A63B 21/0055; A63B 2207/02;
A63B 2225/54; A63B 69/0053; A63B
2047/043

See application file for complete search history.

(56) **References Cited**

U.S. PATENT DOCUMENTS

D607,618 S * 1/2010 Rutherford D30/160
D636,540 S * 4/2011 McCann D30/160
D655,056 S * 2/2012 Blair D1/199
D787,775 S * 5/2017 Petersen D1/199

OTHER PUBLICATIONS

United States District Court for the Central District of California, Case 8:20-cv-00850-AB-AFM, Document 1, Complaint and Exhibits.

United States District Court for the Central District of California, Case 8:20-cv-00850-AB-AFM, Document 12, Notice of Motion and Motion of Defendant to Dismiss and Exhibits.

United States District Court for the Central District of California, Case 8:20-cv-00850-AB-AFM, Document 14, First Amended Complaint and Exhibits.

United States District Court for the Central District of California, Case 8:20-cv-00850-AB-AFM, Document 28, Plaintiffs Opposition to Defendant's Motion to Dismiss the Amended Complaint.

United States District Court for the Central District of California, Case 8:20-cv-00850-AB-AFM, Document 30, Defendant's Reply Brief in Support of Its Motion to Dismiss.

United States District Court for the Central District of California, Case 8:20-cv-00850-AB-AFM, Document 39, Order Granting in Part and Denying in Part Pet Qwerks, Inc.'s Motion to Dismiss First Amended Complaint.

United States District Court for the Central District of California, Case 8:20-cv-00850-AB-AFM, Document 41, Second Amended Complaint and Exhibits.

United States District Court for the Central District of California, Case 8:20-cv-00850-AB-AFM, Document 49, PetQwerks, Inc.'s Answer to Benebone LLC's Second Amended Complaint and Counterclaim.

United States District Court for the Central District of California, Case 8:20-cv-00850-AB-AFM, Document 53, Plaintiff Benebone LLC's Answer to Defendant's Counterclaims.

United States District Court for the Central District of California, Case 8:20-cv-00850-AB-AFM, Document 57, Third Amended Complaint and Exhibits.

United States District Court for the Central District of California, Case 8:20-cv-00850-AB-AFM, Document 69, Defendant's Answer to Benebone LLC's Third Amended Complaint and Counterclaim.

United States District Court for the Central District of California, Case 8:20-cv-00850-AB-AFM, Document 76, Answer of Plaintiff Benebone LLC to Defendants' Counterclaims.

United States District Court for the Central District of California, Case 8:20-cv-00850-AB-AFM, Document 78, Defendant Pet Qwerks, Inc. and Doskocil Manufacturing Company, Inc. d/b/a Petmate's Request for a Claim construction Hearing Date.

United States District Court for the Central District of California, Case 8:20-cv-00850-AB-AFM, Document 80, Opposition to Defendants' Request for Early Claim Construction Hearing.

United States District Court for the Central District of California, Case 8:20-cv-00850-AB-AFM, Document 93, Plaintiff Benebone LLC's Sur-reply in Opposition to Defendants' Reply in Support of Setting a Claim Construction Hearing Date.

* cited by examiner

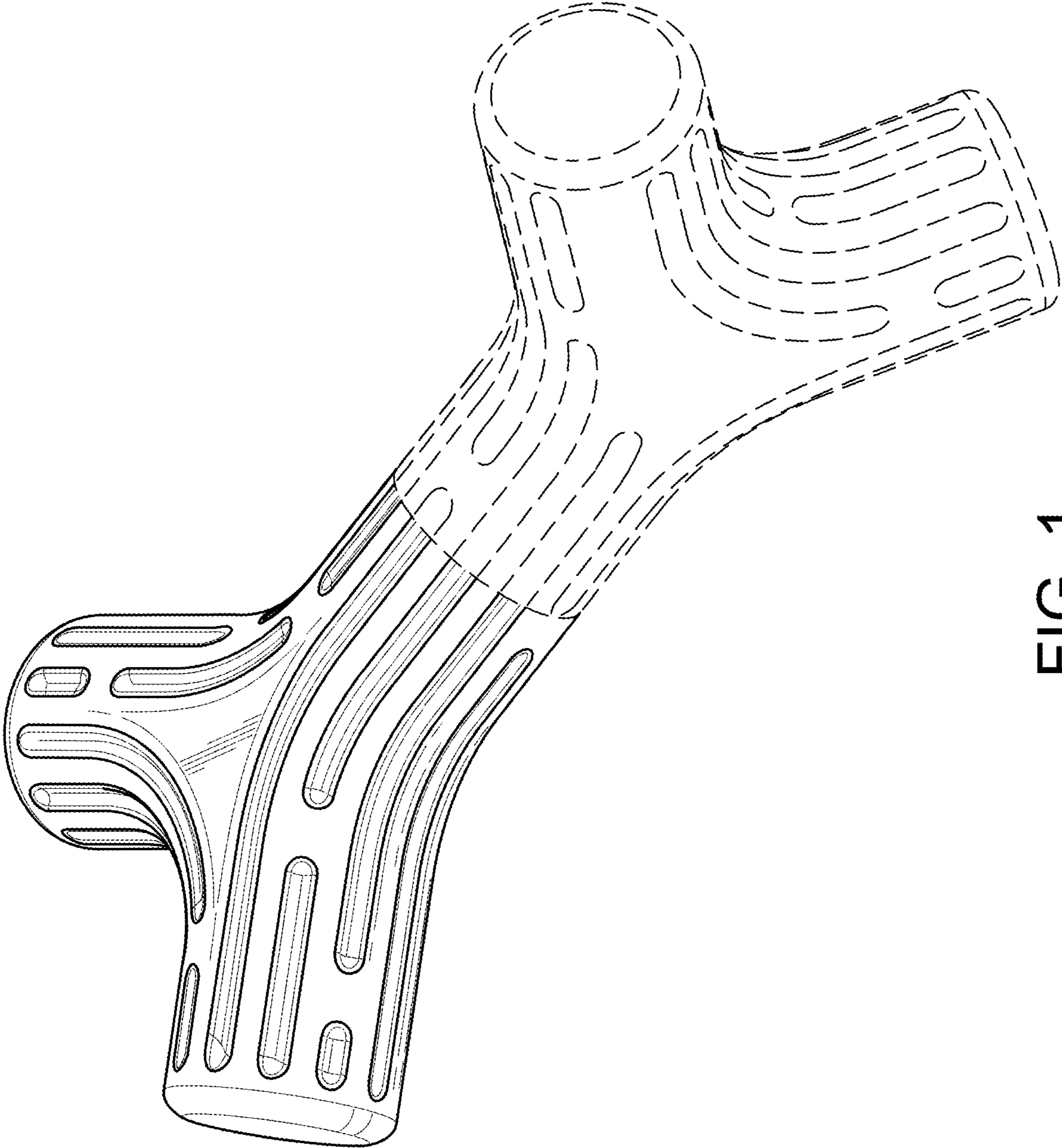


FIG. 1

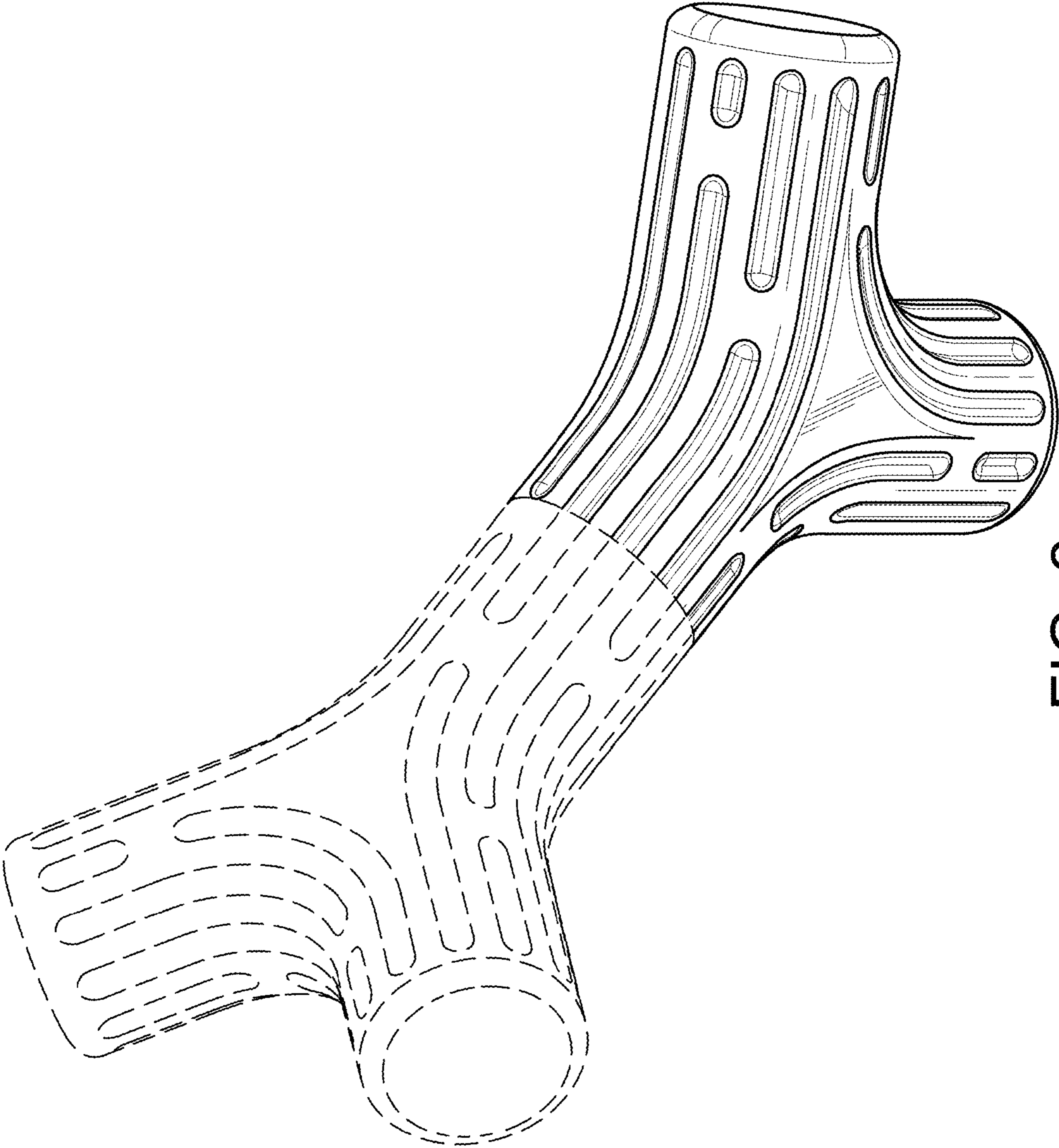


FIG. 2

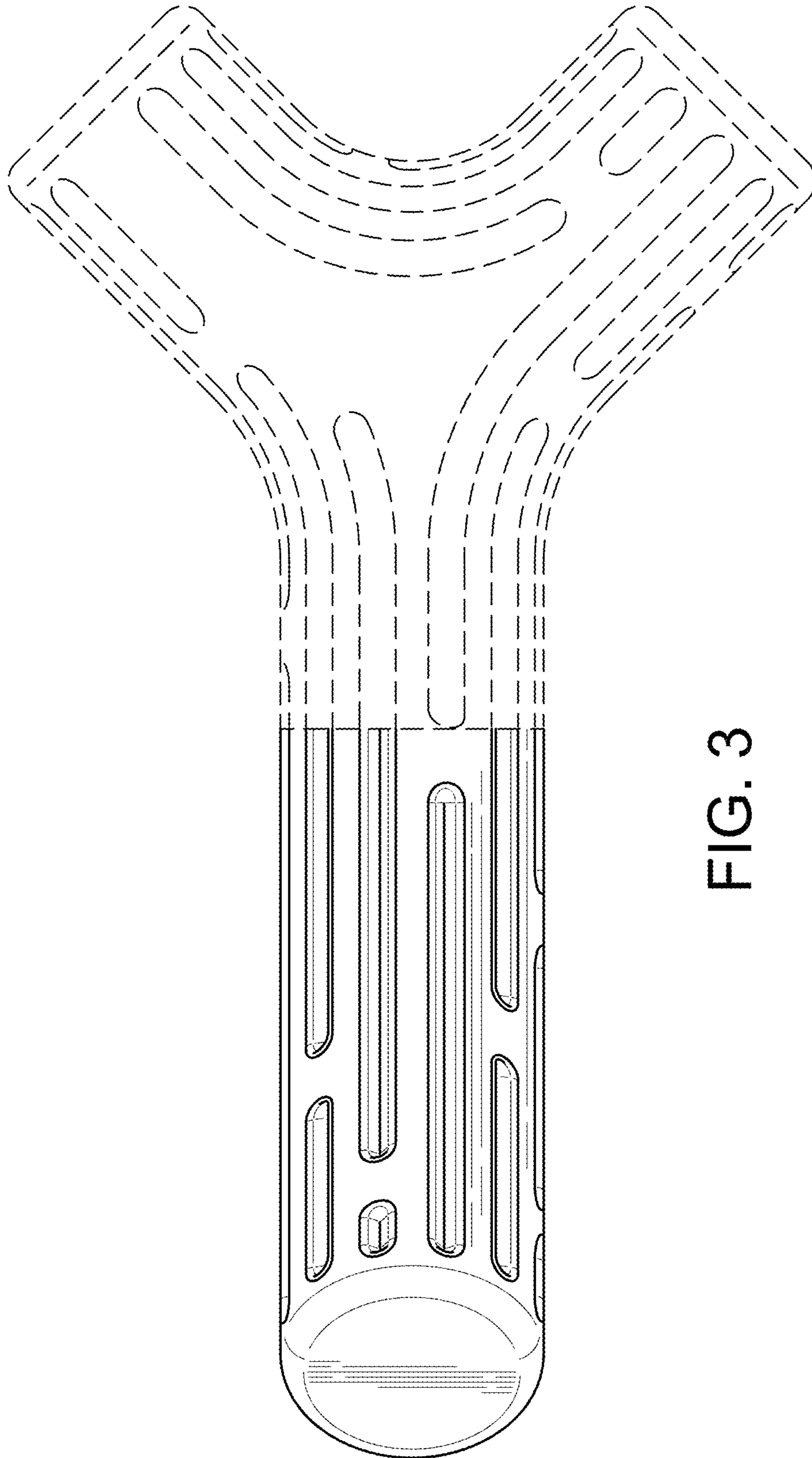


FIG. 3

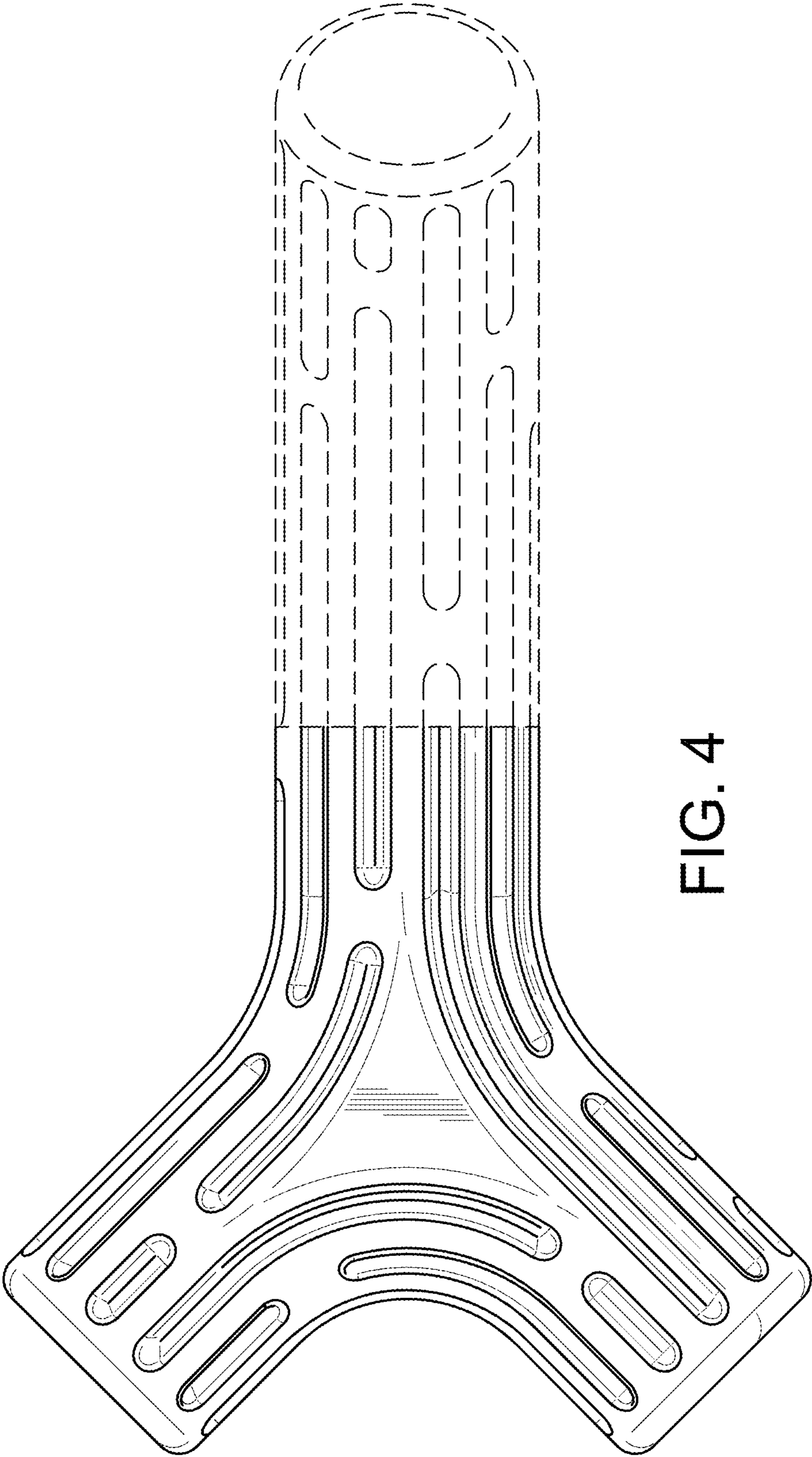


FIG. 4

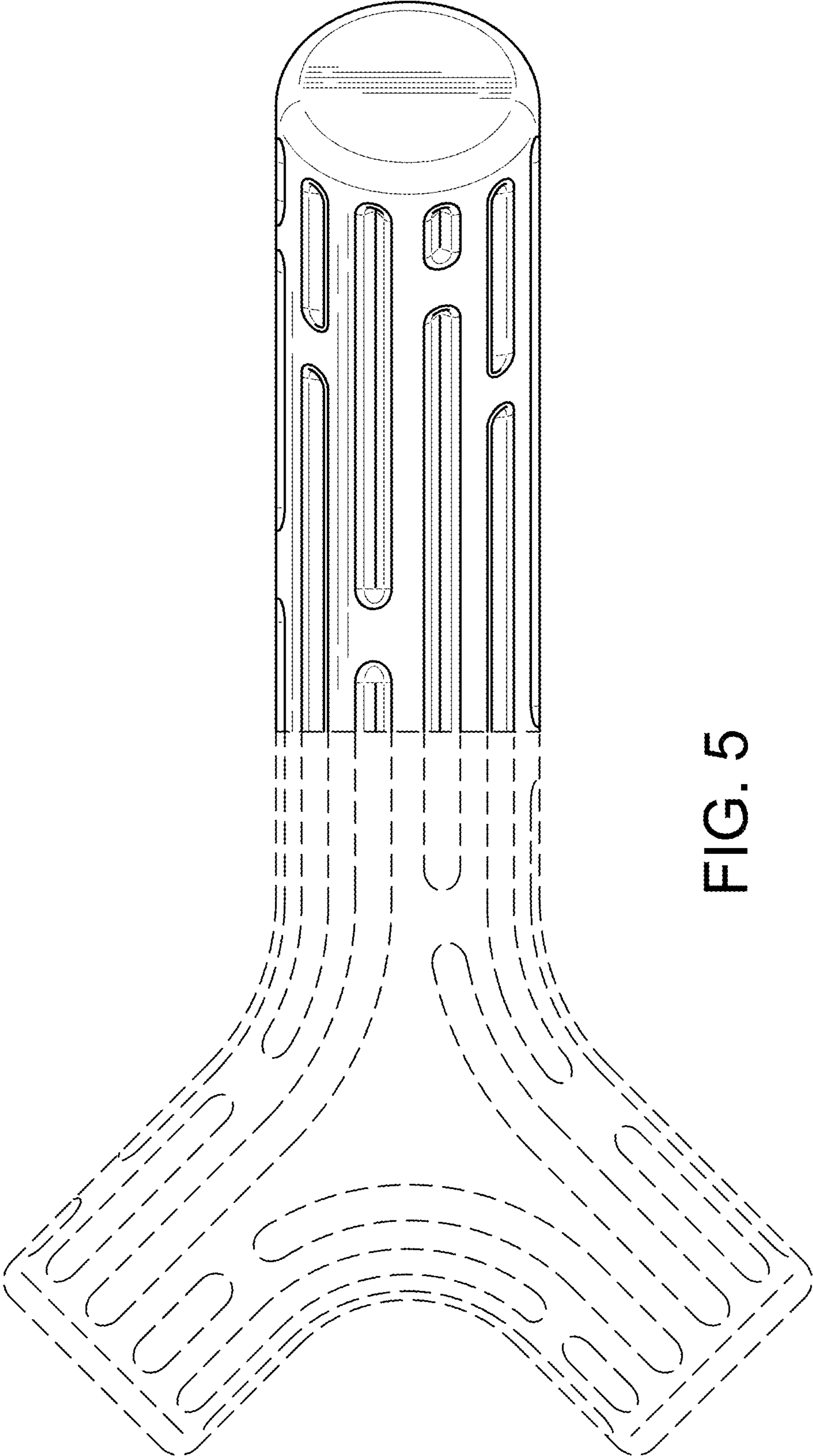


FIG. 5

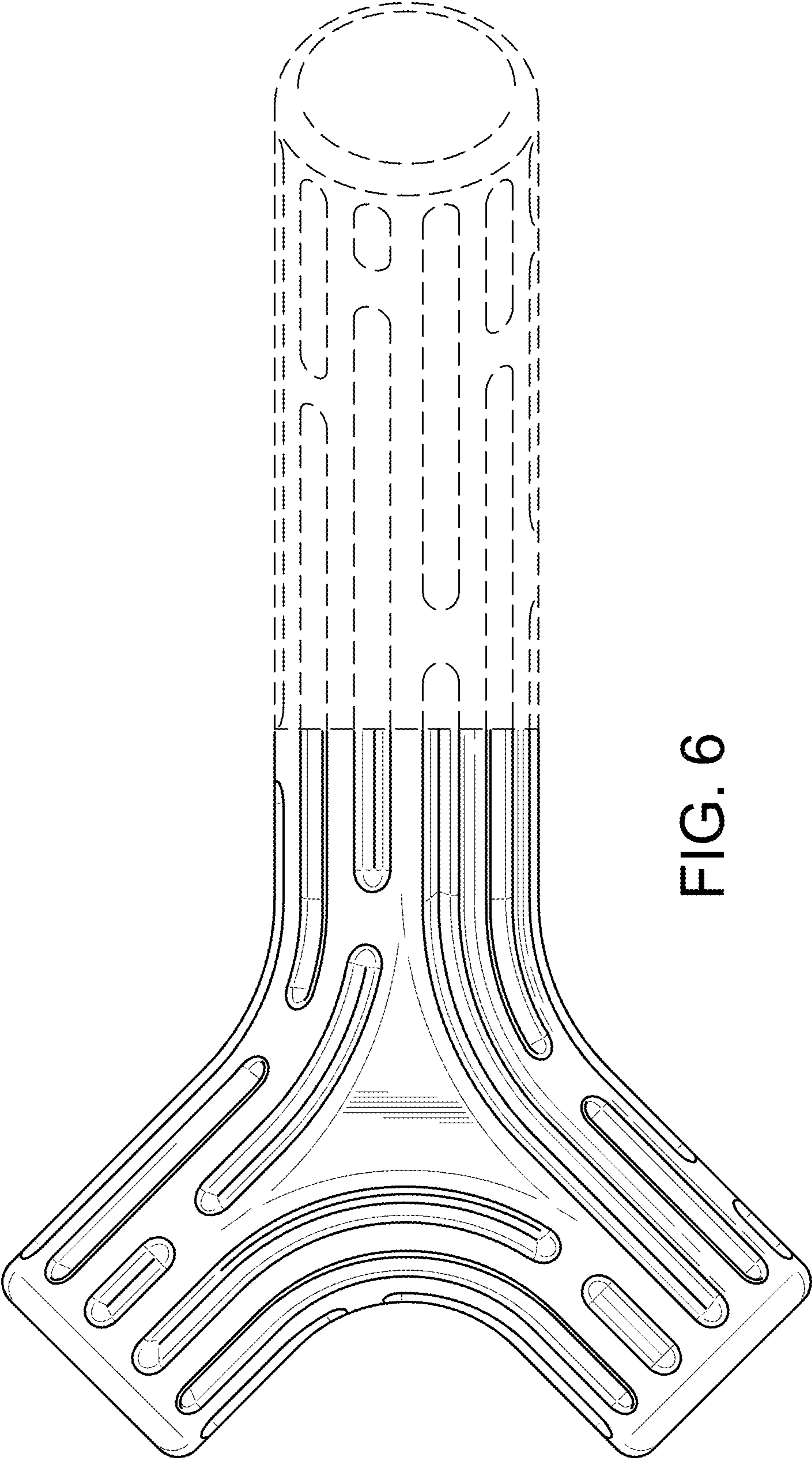


FIG. 6

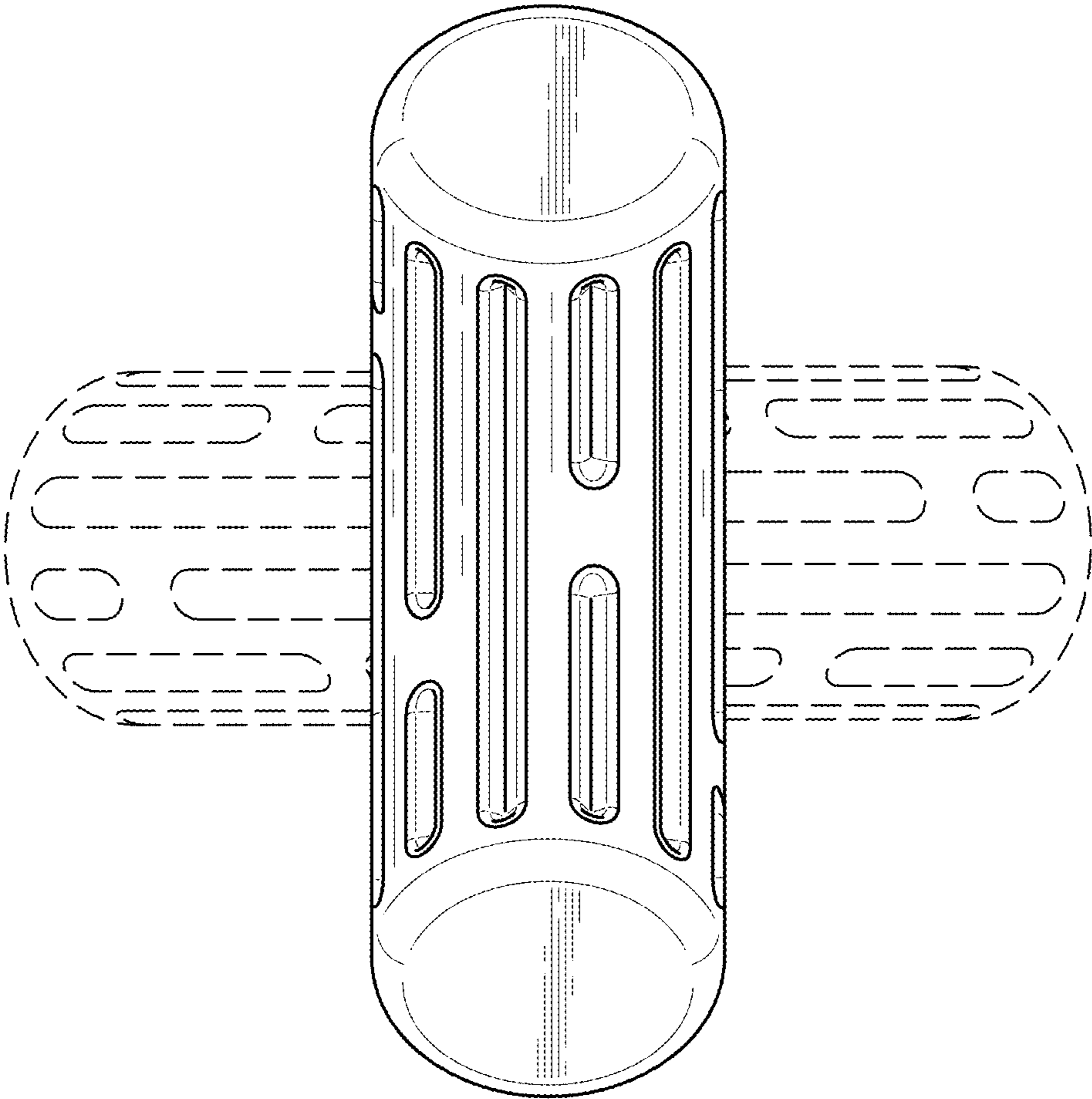


FIG. 7

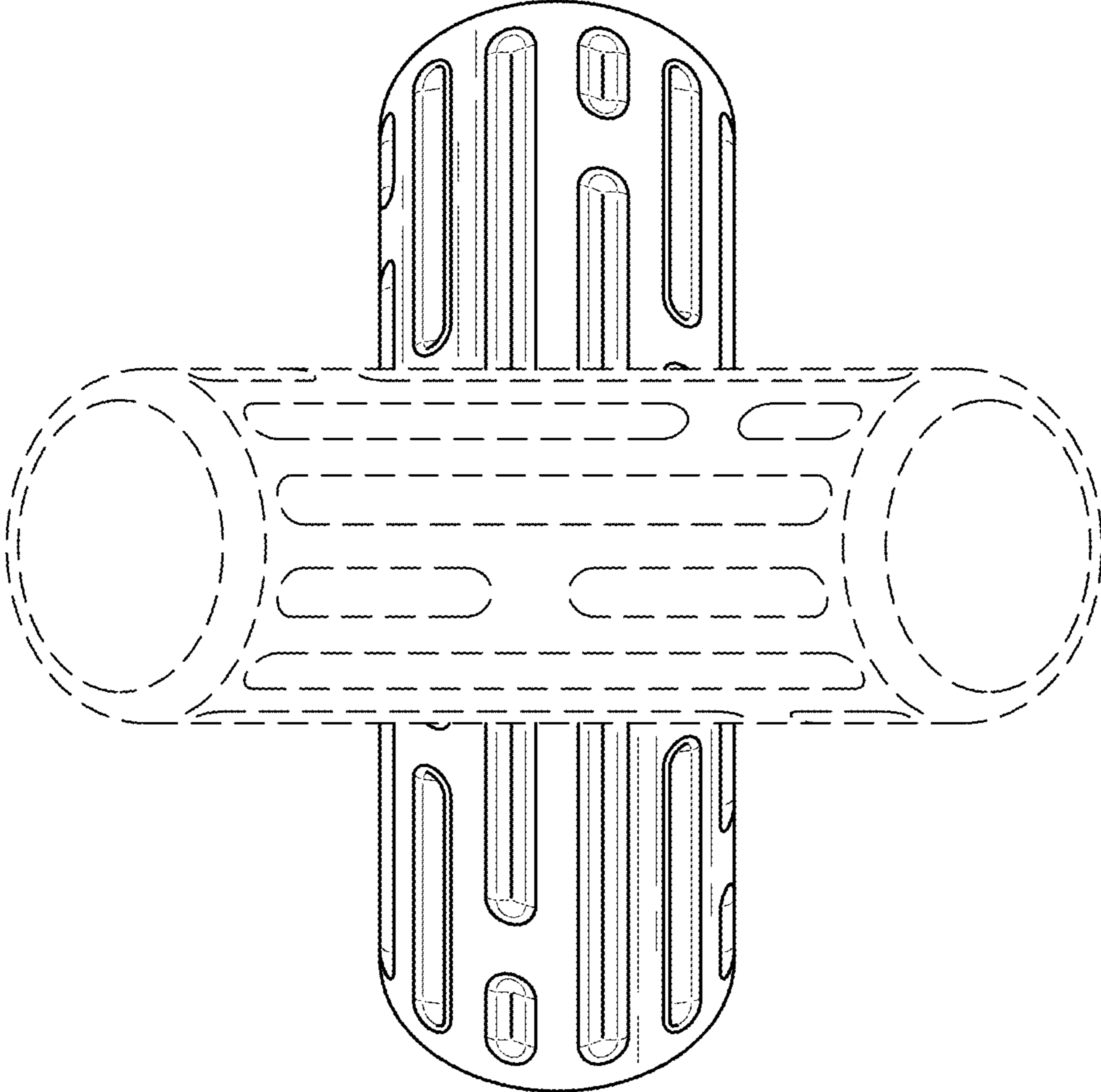


FIG. 8