



US00D930285S

(12) **United States Design Patent** (10) **Patent No.:** **US D930,285 S**
Sarver (45) **Date of Patent:** **** Sep. 7, 2021**

- (54) **PET BALANCE BEAM**
- (71) Applicant: **Eco Sports Group, Inc.**, Indianapolis, IN (US)
- (72) Inventor: **John T. Sarver**, Indianapolis, IN (US)
- (73) Assignee: **ECO SPORTS GROUP, INC.**, Indianapolis, IN (US)
- (**) Term: **15 Years**
- (21) Appl. No.: **29/703,812**
- (22) Filed: **Aug. 29, 2019**

Related U.S. Application Data

- (60) Division of application No. 15/586,047, filed on May 3, 2017, now Pat. No. 10,448,616, which is a continuation of application No. 15/524,170, filed as application No. PCT/US2016/037105 on Jun. 11, 2016, now Pat. No. 10,485,221.
- (51) **LOC (13) Cl.** **30-99**
- (52) **U.S. Cl.**
USPC **D30/160**
- (58) **Field of Classification Search**
USPC D21/698, 814, 826-827; D6/595-605, D6/610-611; D25/48.1, 48.3, 152-156, D25/7, 16, 31, 33; D30/108-120, D30/158-161
CPC A01K 1/00; A01K 1/0272; A01K 1/0353; A01K 1/035; A01K 1/0017; A01K 1/0245; A01K 1/0035; A01K 1/0151; A01K 15/02; A01K 15/027; A47C 21/02
See application file for complete search history.

(56) **References Cited**

U.S. PATENT DOCUMENTS

- 4,105,201 A * 8/1978 L'Ecuyer A63B 4/00 482/34
- D460,507 S * 7/2002 Stewart D21/688

- 7,568,998 B2 * 8/2009 Gallus A63B 4/00 482/23
- D724,797 S * 3/2015 Paculdo D30/160
- D834,768 S * 11/2018 Sarver D30/160
- D867,997 S * 11/2019 Knapp D13/139.4

OTHER PUBLICATIONS

Balance Beam, posted at livinthedoglife.com, earliest date posted on Oct. 22, 2016, [online], acquired on Jan. 2, 2020, Available on internet. url: <http://www.livinthedoglife.com/products/dog-park-products-natural-balance-beam.html> (Year: 2016).*

* cited by examiner

Primary Examiner — Aula Soroush

(74) Attorney, Agent, or Firm — Thomas | Horstemeyer, LLP

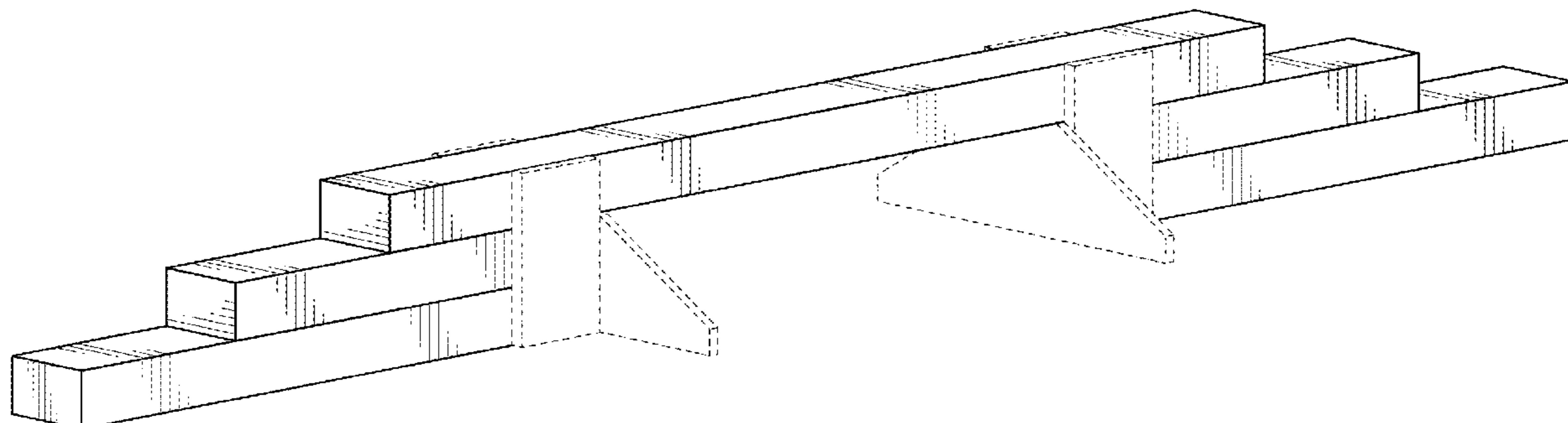
(57) **CLAIM**

The ornamental design for a pet balance beam, as shown and described.

DESCRIPTION

FIG. 1 is a front, top perspective view of a pet balance beam, showing the new design;
FIG. 2 is a left side elevation view thereof;
FIG. 3 is a right side elevation view thereof;
FIG. 4 is a front elevation view thereof;
FIG. 5 is a rear elevation view thereof;
FIG. 6 is a top plan view thereof; and,
FIG. 7 is a bottom plan view thereof.
The broken line showing of the pet balance beam indicate portions thereof that form no part of the claimed design.

1 Claim, 4 Drawing Sheets



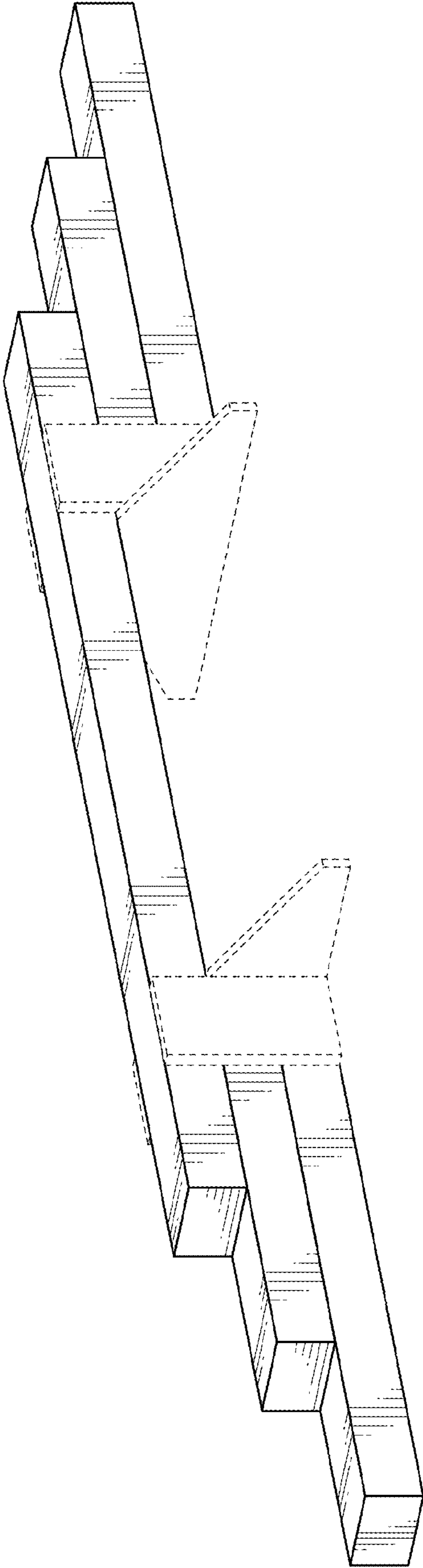


FIG. 1

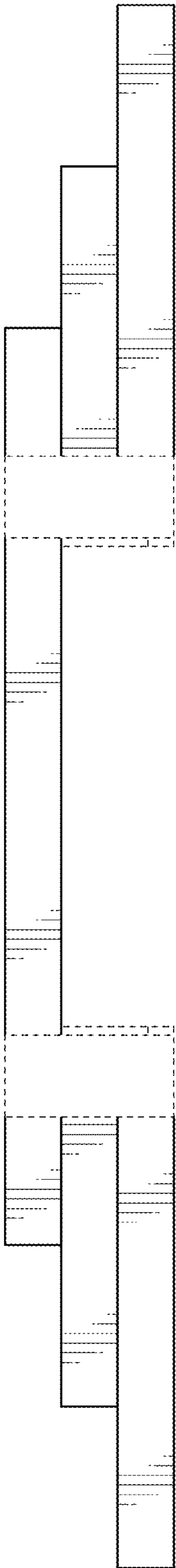


FIG. 2

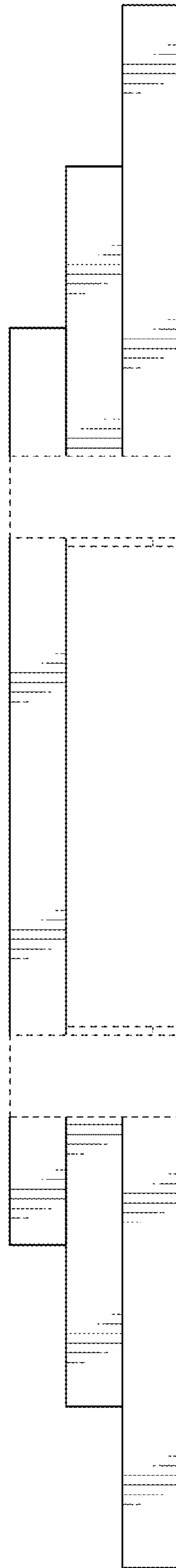


FIG. 3

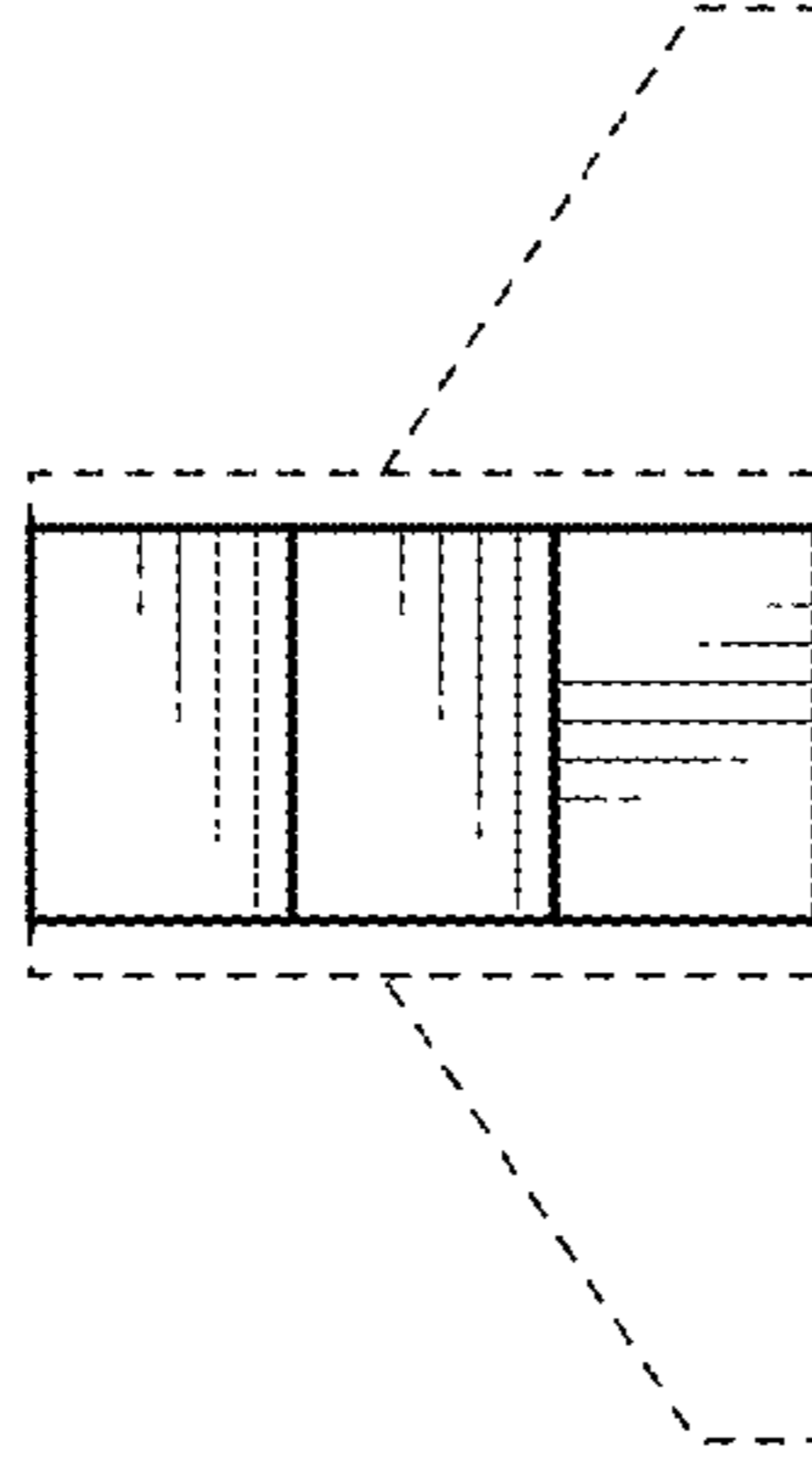


FIG. 5

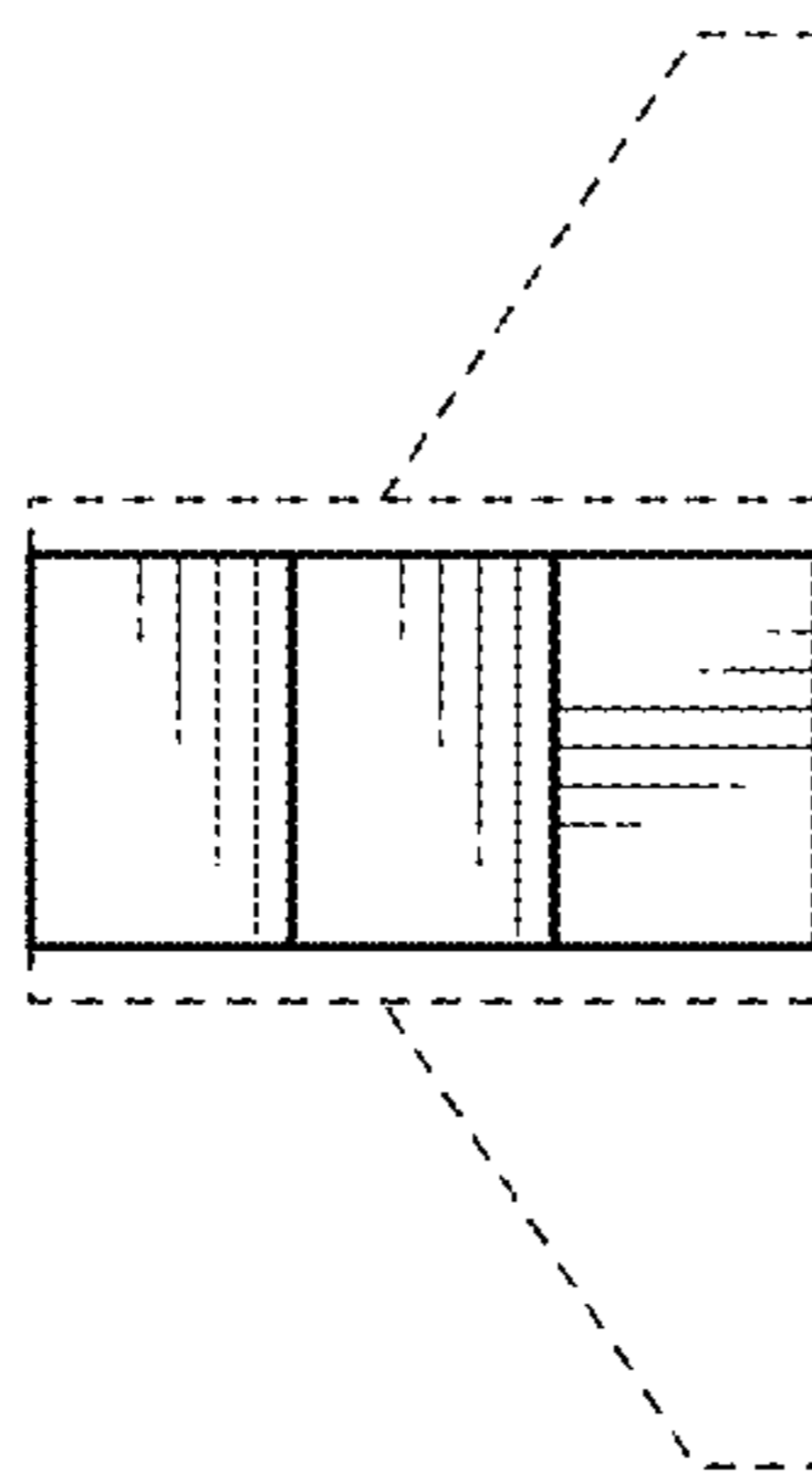


FIG. 4

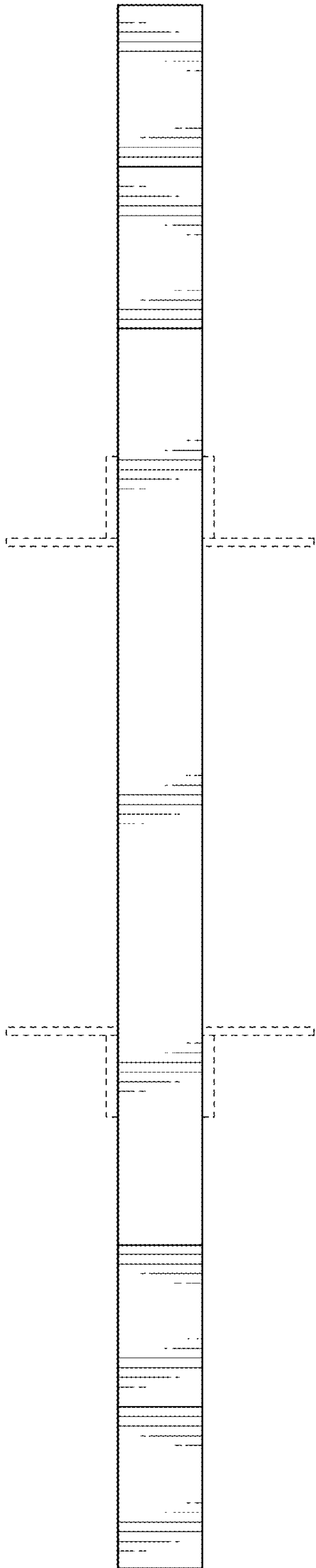


FIG. 6

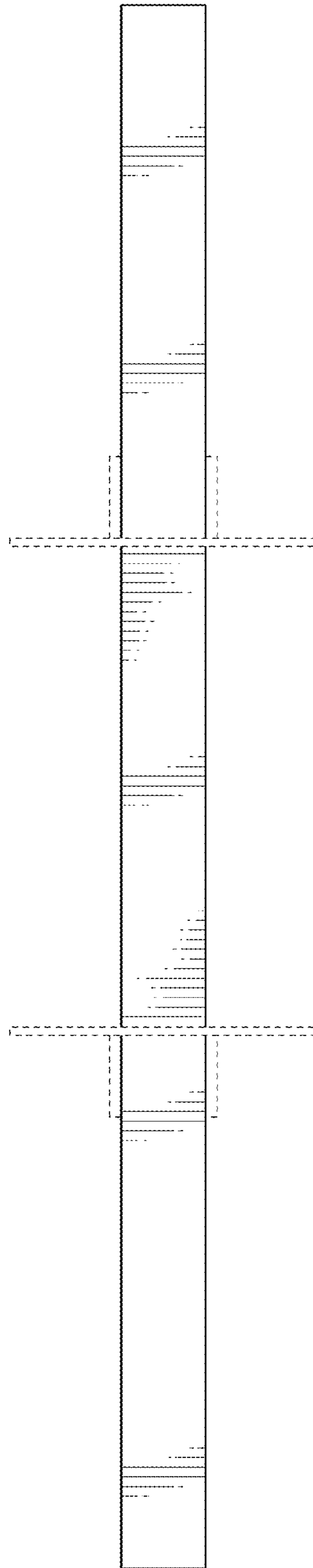


FIG. 7