



US00D930283S

(12) **United States Design Patent** (10) **Patent No.:** **US D930,283 S**  
**Baikie** (45) **Date of Patent:** **\*\* Sep. 7, 2021**

(54) **FIRE HYDRANT PET TREAT**

(71) Applicant: **Redbarn Pet Products, LLC.**, Long Beach, CA (US)

(72) Inventor: **Jeffrey Baikie**, Seal Beach, CA (US)

(73) Assignee: **REDBARN PET PRODUCTS, LLC.**, Long Beach, CA (US)

(\*\*) Term: **15 Years**

(21) Appl. No.: **29/698,268**

(22) Filed: **Jul. 16, 2019**

(51) **LOC (13) Cl.** ..... **30-99**

(52) **U.S. Cl.**  
USPC ..... **D30/160**

(58) **Field of Classification Search**  
USPC ..... D21/398, 400, 402, 412, 415, 426, 436, D21/439, 440, 441, 443, 455, 460-462, D21/466-468, 479, 495, 563, 656, 712, D21/713, 788, 799.1, 470, 681; D24/211, D24/214, 215, 193-195; D30/160, 112, D30/119; D1/125-127  
CPC ..... A63H 5/00; A63H 33/26; A63H 33/18; A63H 29/22; A63H 29/24; A63H 2200/00; A63H 11/00; A63H 13/00; A63H 18/02; A63H 18/14; A63H 18/16; A63H 29/00; A63H 33/009; A63H 33/22; A63H 33/3055; A63H 3/003; A63H 3/006; A63H 3/008; A63H 3/24; A63H 3/28; A63H 3/31; A63H 3/36; A63H 9/00; A63B 59/20; A63B 69/406; A63B 47/04; A63B 2201/51; A63B 2220/53; A63B 2220/56; A63B 2220/805; A63B 2071/0625; A63B 2071/063; A63B 2220/17; A63B 2220/18; A63B 2220/40; A63B 2220/803; A63B 2220/833; A63B 43/004; A63B 43/06; A63B 71/0622; A63B 2071/0602; A63B 21/0055; A63B 2207/02; A63B 2225/54; A63B 69/0053; A63B 2047/043

See application file for complete search history.

(56) **References Cited**

U.S. PATENT DOCUMENTS

D240,062 S	5/1976	Satten	
D307,402 S	4/1990	Rouse, Jr. et al.	
D328,620 S	8/1992	Maple	
D480,243 S	10/2003	Edwards et al.	
D540,180 S *	4/2007	Edwards	D30/199
D608,214 S *	1/2010	Kuzma	D9/600
D615,256 S *	5/2010	Emerson	D30/161
D618,555 S *	6/2010	Adams	D9/600
D673,002 S	12/2012	Hollinger	

(Continued)

**OTHER PUBLICATIONS**

<https://www.buddysdogtoys.com/about/>; 5 pgs.

(Continued)

*Primary Examiner* — Aula Soroush  
 (74) *Attorney, Agent, or Firm* — Foley & Lardner LLP

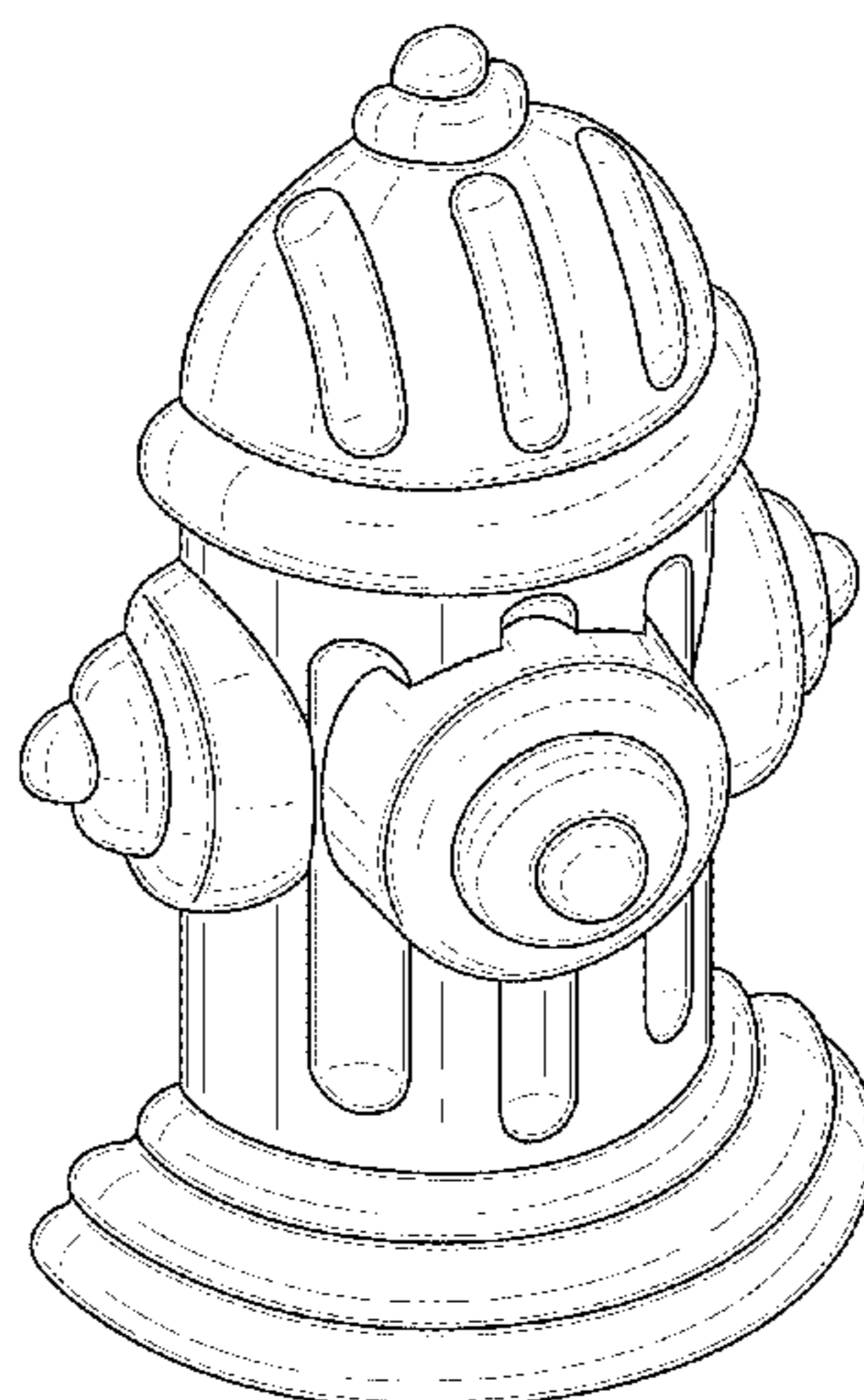
(57) **CLAIM**

I claim the ornamental design for a fire hydrant pet treat, as shown and described.

**DESCRIPTION**

FIG. 1 is a front perspective view of a fire hydrant pet treat; FIG. 2 is a first rear perspective view thereof; FIG. 3 is a second rear perspective view thereof; FIG. 4 is a front elevation view thereof; FIG. 5 is a rear elevation view thereof; FIG. 6 is a right side elevation view thereof; FIG. 7 is a left side elevation view thereof; FIG. 8 is a top plan view thereof; and, FIG. 9 is a bottom plan view thereof. The ornamental design which is claimed is shown in solid lines in the drawings.

**1 Claim, 8 Drawing Sheets**



(56)

**References Cited**

U.S. PATENT DOCUMENTS

D734,585 S \* 7/2015 Brennan ..... D34/4  
D739,196 S 9/2015 Mohr et al.  
D847,948 S \* 5/2019 Goerd ..... D23/215  
D852,332 S \* 6/2019 Burton ..... D23/256  
D853,842 S \* 7/2019 Yao ..... D9/436  
D862,960 S \* 10/2019 Bowling ..... D7/301  
2013/0008389 A1 \* 1/2013 Teconchuk ..... A01K 15/026  
119/710

OTHER PUBLICATIONS

<https://www.chewy.com/starmark-everlasting-treat-fire-plug/dp/45436>; 12 pgs.

<https://www.kongcompany.com/clicks-hydrant>; 23 pgs.

<http://www.num-records.com/treats/cookies-biscuitssnacks/sunshine-pet-treats-pet-life-premium-dog-biscuits-multi-flavored-fire-hydrant-fc2688f61c43193-186.html>; 25 pgs.

<https://dottiesdogtreats.com/product/everyday-treat-hydrant/>; 5 pgs.

<https://www.muellercompany.com/water-works/hydrants/fire-hydrants/integral-storz-connection/>; 1 pg.

\* cited by examiner

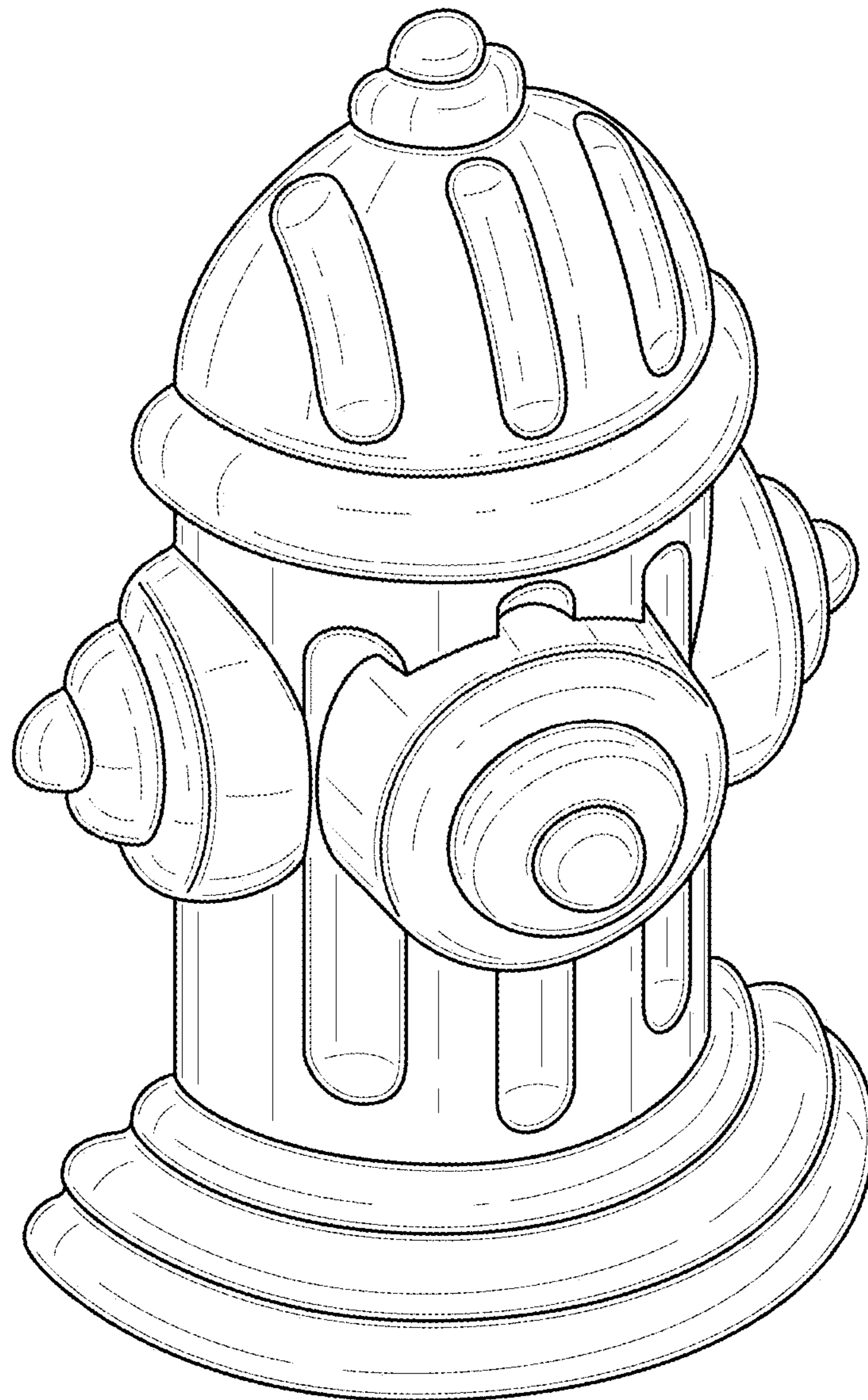


FIG. 1

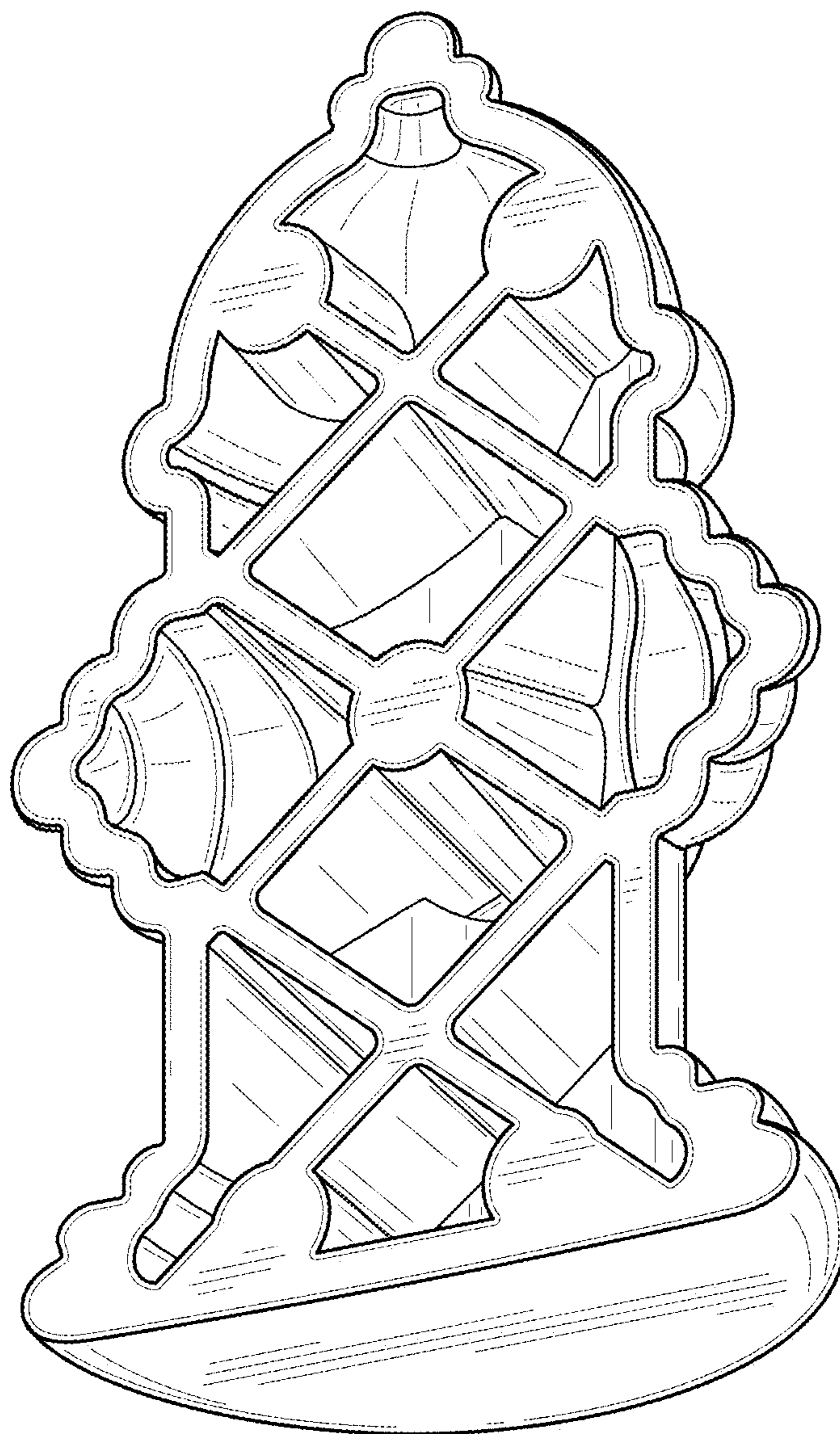


FIG. 2

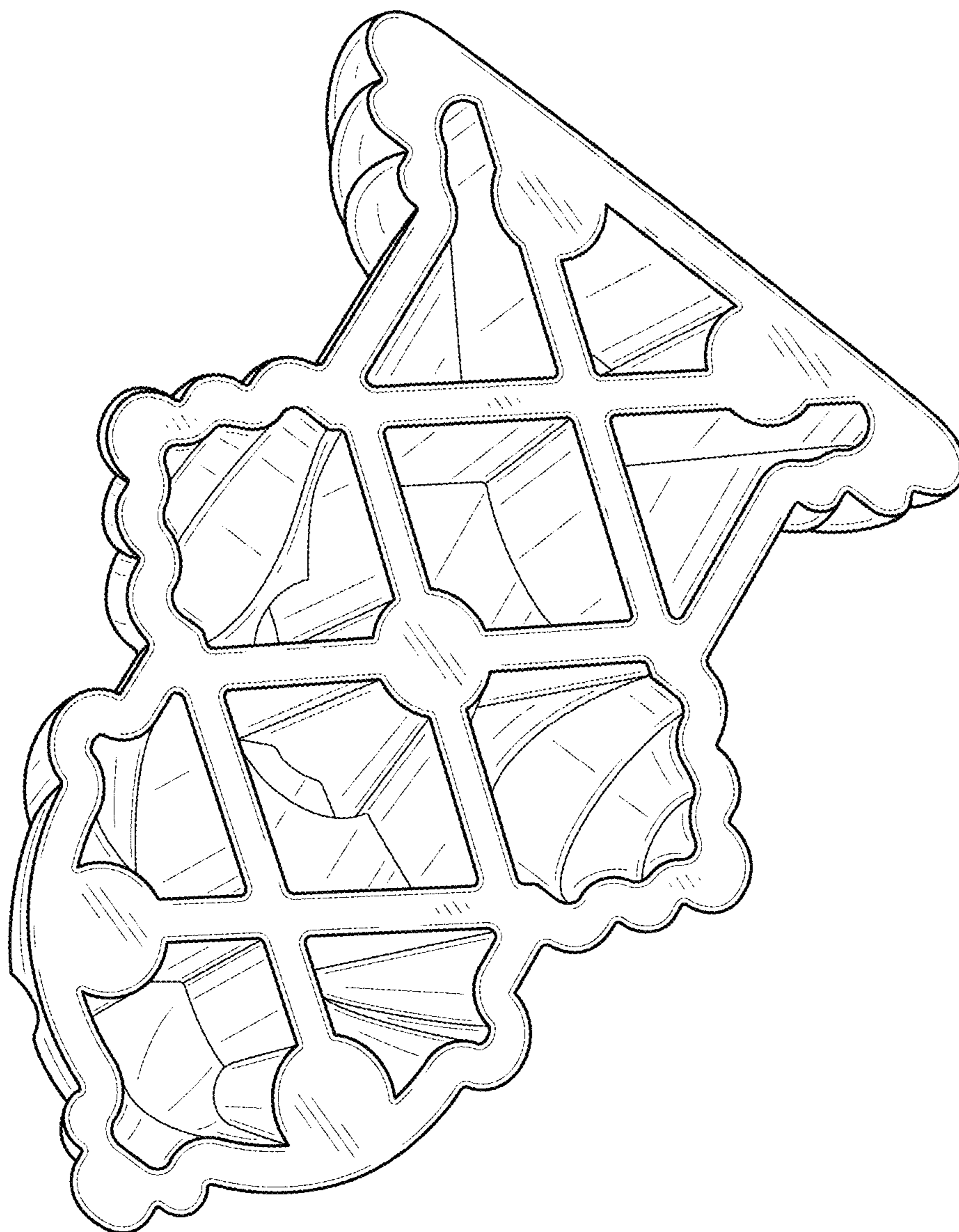


FIG. 3

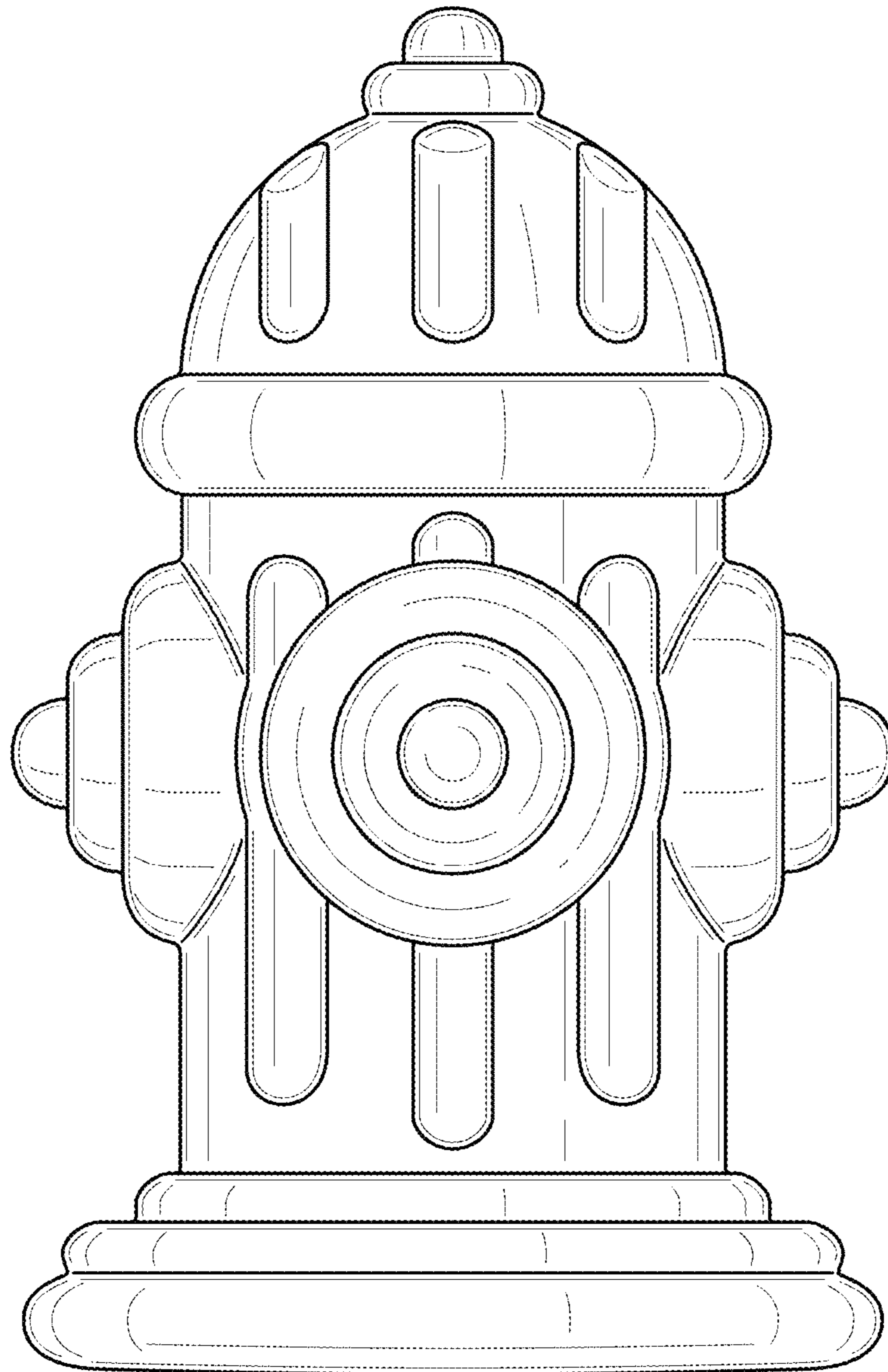


FIG. 4

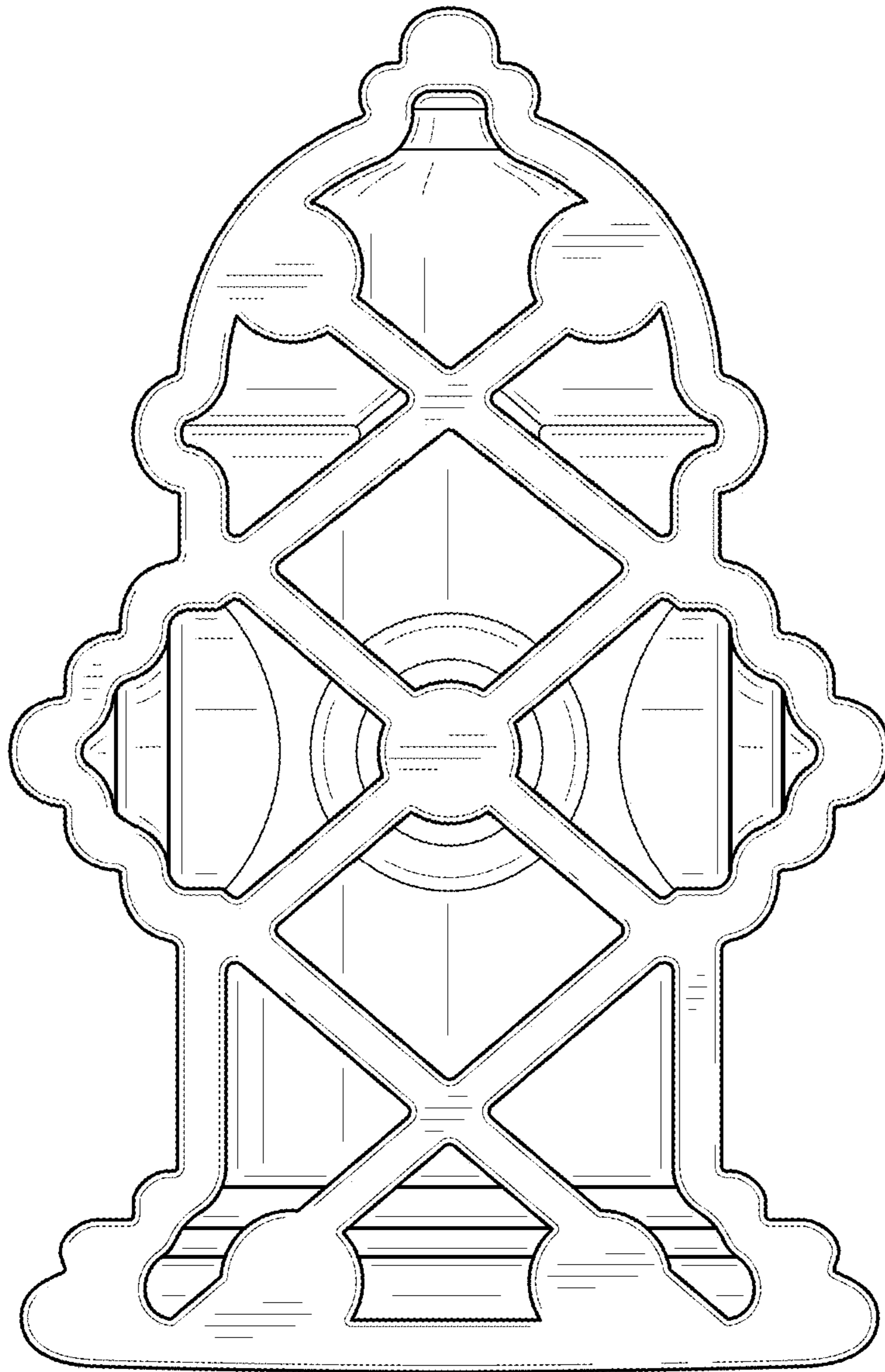


FIG. 5

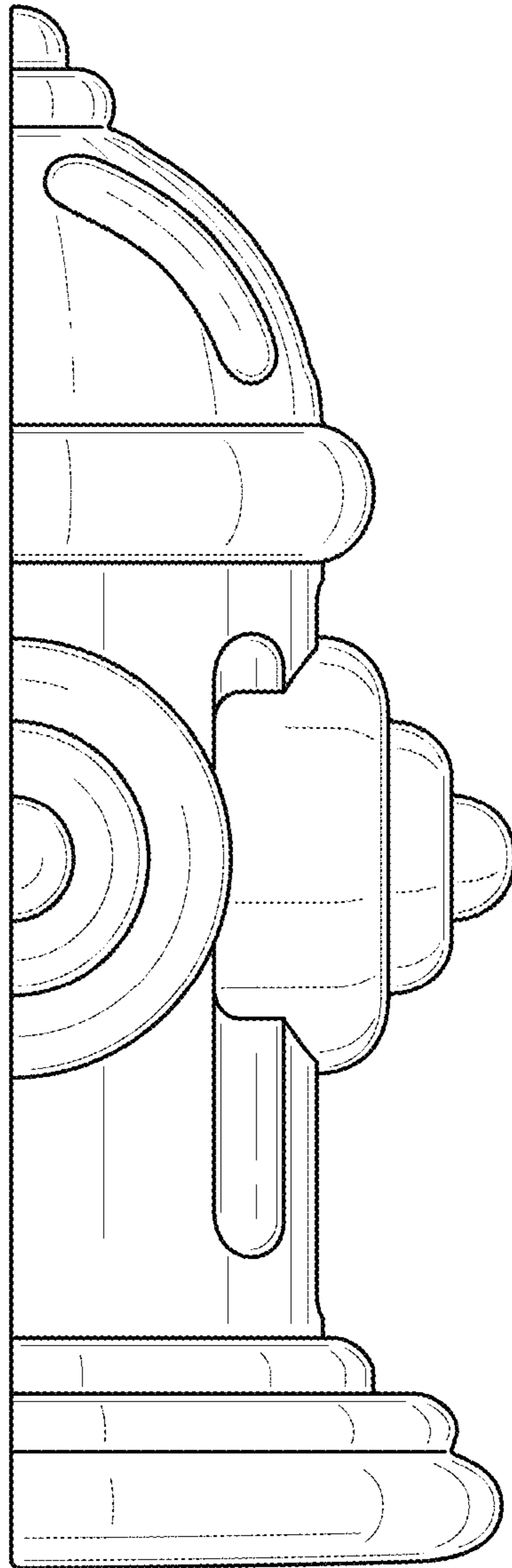


FIG. 6



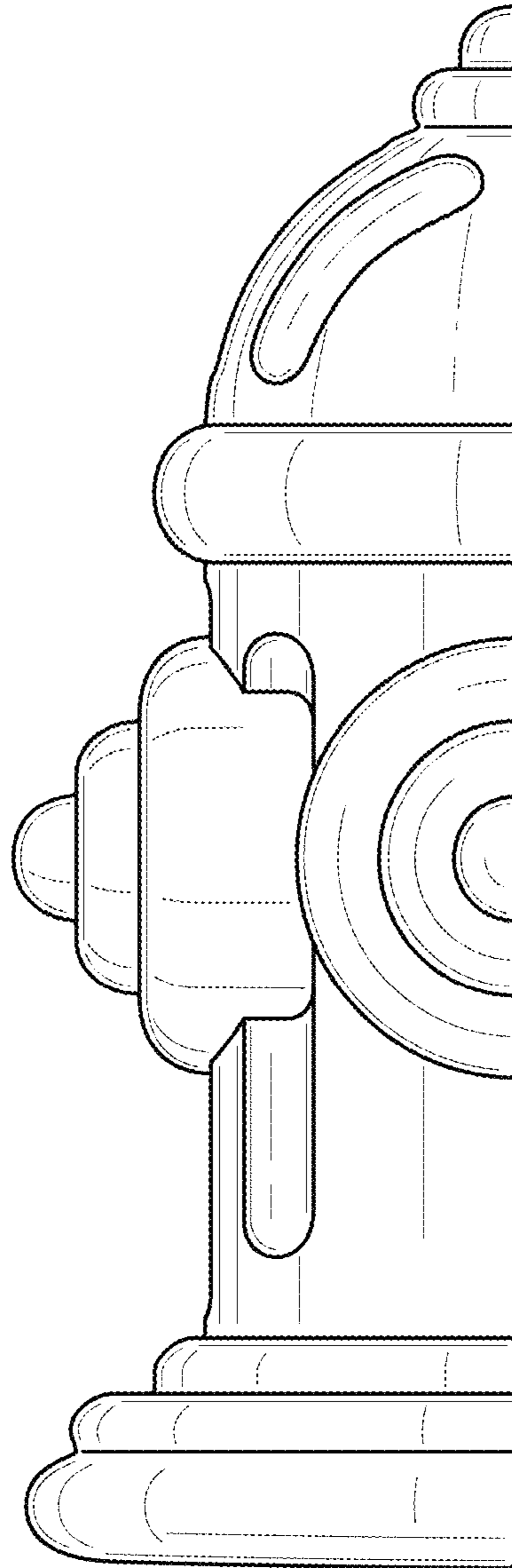


FIG. 7

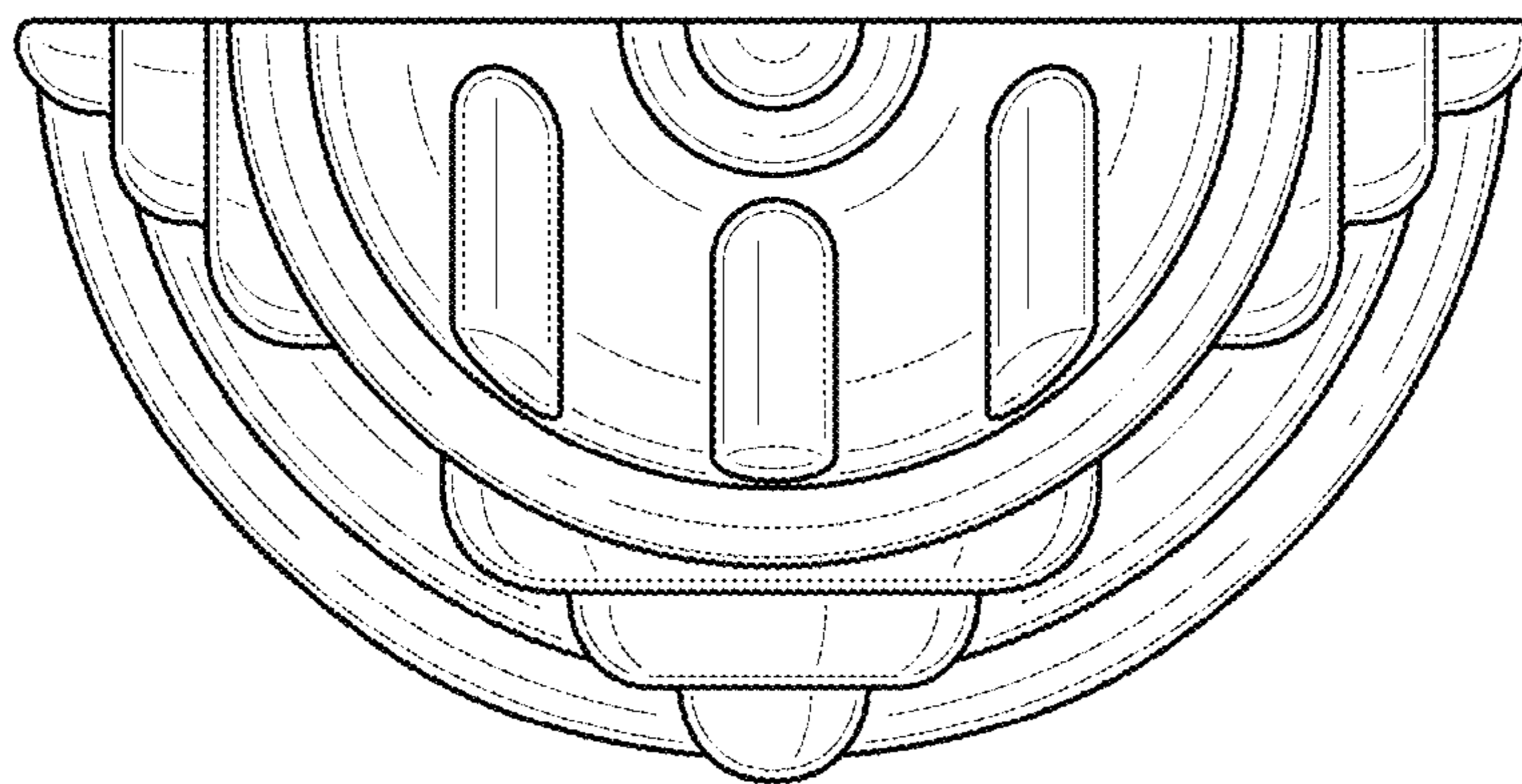


FIG. 8

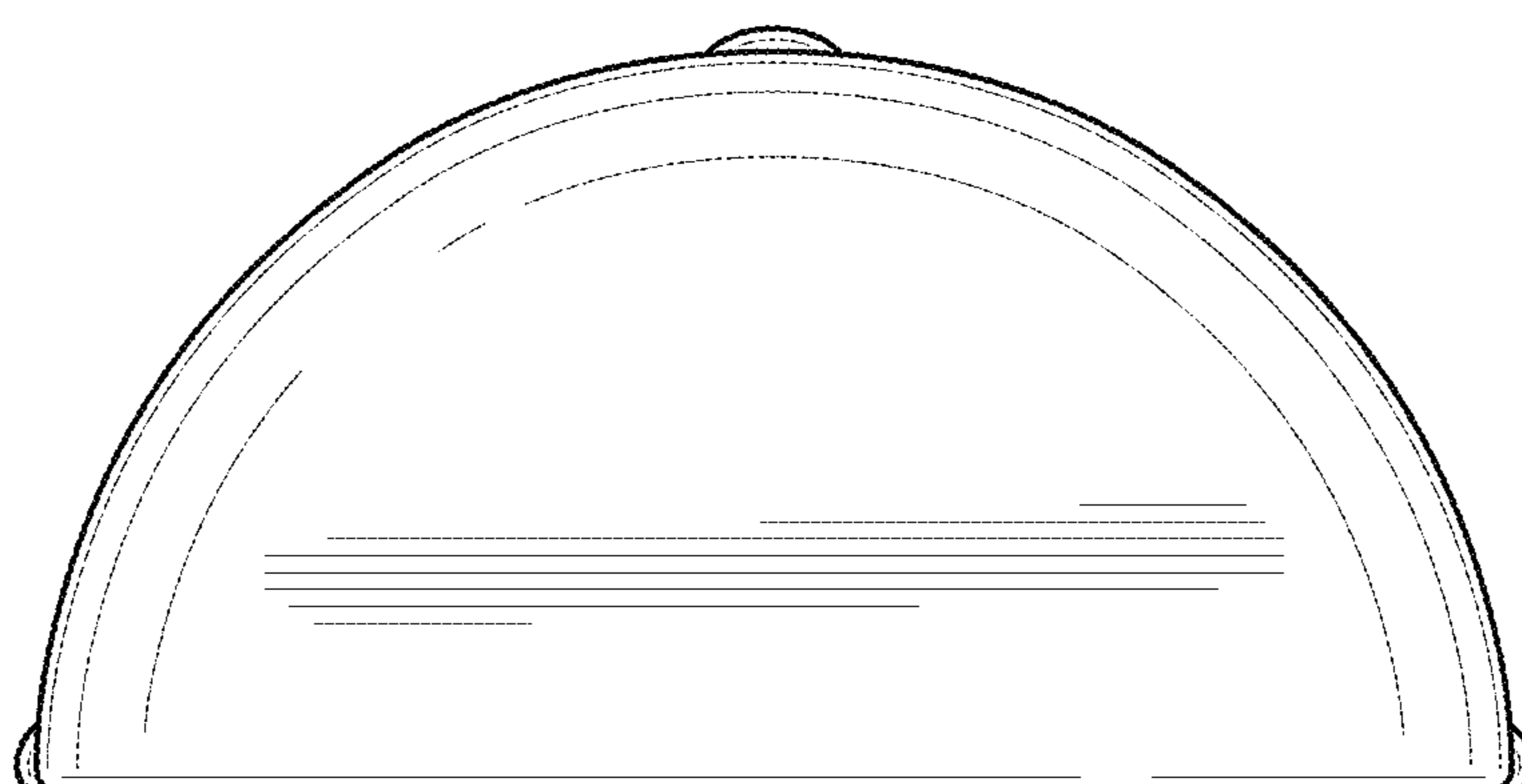


FIG. 9