



US00D930280S

(12) **United States Design Patent**
Shiyu et al.

(10) **Patent No.:** **US D930,280 S**

(45) **Date of Patent:** **** Sep. 7, 2021**

(54) **CAT SCRATCHER CURL**

(71) Applicant: **WORLDWISE, INC.**, Novato, CA (US)

(72) Inventors: **Guo Shiyu**, San Rafael, CA (US);
Jacob Dominguez, Weslaco, TX (US);
Tracy Rogers, McAllen, TX (US);
Aimee Diskin, Napa, CA (US);
Hannah Rosenberg, San Francisco, CA (US);
Lisa Davis, Fairfax, CA (US);
Julie Widenhofer, San Anselmo, CA (US);
Michael Risso, Napa, CA (US)

(73) Assignee: **Worldwise, Inc.**, Novato, CA (US)

(**) Term: **15 Years**

(21) Appl. No.: **29/714,834**

(22) Filed: **Nov. 26, 2019**

(51) **LOC (13) Cl.** **30-99**

(52) **U.S. Cl.**
USPC **D30/158**

(58) **Field of Classification Search**
USPC D30/108–120, 158–161; D1/125–127,
D1/120; D28/7, 59; D4/137; D32/35,
D32/40, 43, 50
CPC A46B 2200/1093; B08B 1/00; B08B 1/002
See application file for complete search history.

(56) **References Cited**

U.S. PATENT DOCUMENTS

D589,657 S * 3/2009 Lamstein D30/118
D633,662 S * 3/2011 Seliskar D30/160
D644,795 S * 9/2011 Haaf D30/160

D651,368 S * 12/2011 Seliskar D30/160
D651,370 S * 12/2011 Seliskar D30/160
D651,371 S * 12/2011 Seliskar D30/160
D652,179 S * 1/2012 Haaf D30/160
D652,182 S * 1/2012 Seliskar D30/160
D655,463 S * 3/2012 Seliskar D30/160
D655,464 S * 3/2012 Seliskar D30/160
D661,436 S * 6/2012 Haaf D30/160
D663,490 S * 7/2012 Haaf D30/160
D663,492 S * 7/2012 Haaf D30/160
D663,905 S * 7/2012 Haaf D30/160
D670,873 S * 11/2012 Seliskar D30/160
D688,837 S * 8/2013 Paculdo D30/160
D708,405 S * 7/2014 Sikora D30/160
D738,580 S * 9/2015 Elliott D30/160
D774,708 S * 12/2016 Kellogg D30/160
D809,716 S * 2/2018 Spaile D30/119
D835,362 S * 12/2018 Hansen D30/160

* cited by examiner

Primary Examiner — Aula Soroush

(74) *Attorney, Agent, or Firm* — Bay Area Technology Law Group PC

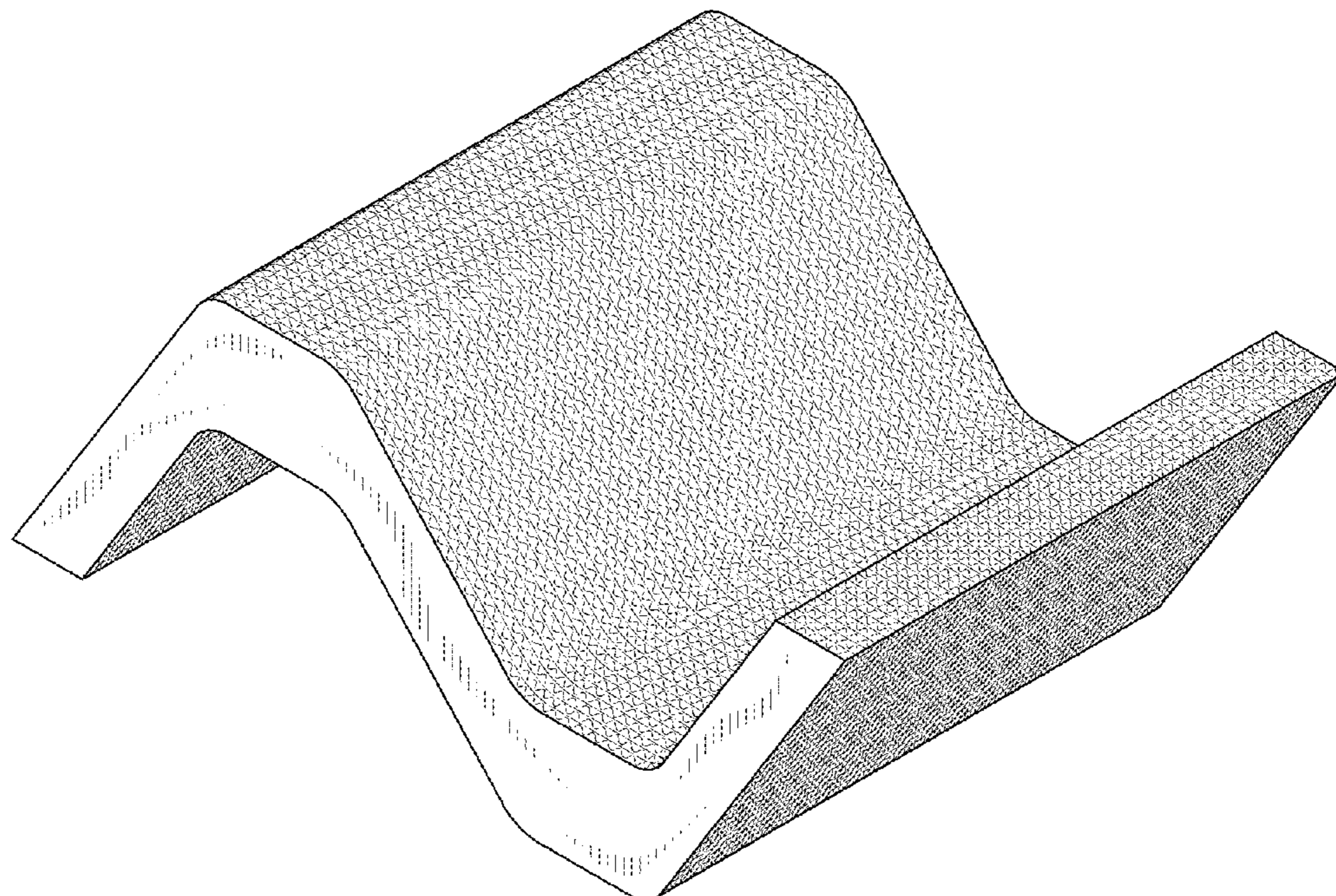
(57) **CLAIM**

The ornamental design for a cat scratcher curl, as shown and described.

DESCRIPTION

FIG. 1 is a perspective view of a cat scratcher curl showing our new design;
FIG. 2 is a left side view of FIG. 1;
FIG. 3 is a right side view of FIG. 1;
FIG. 4 is a top view of FIG. 1;
FIG. 5 is a bottom view of FIG. 1;
FIG. 6 is a front view of FIG. 1; and,
FIG. 7 is a back view of FIG. 1.

1 Claim, 4 Drawing Sheets



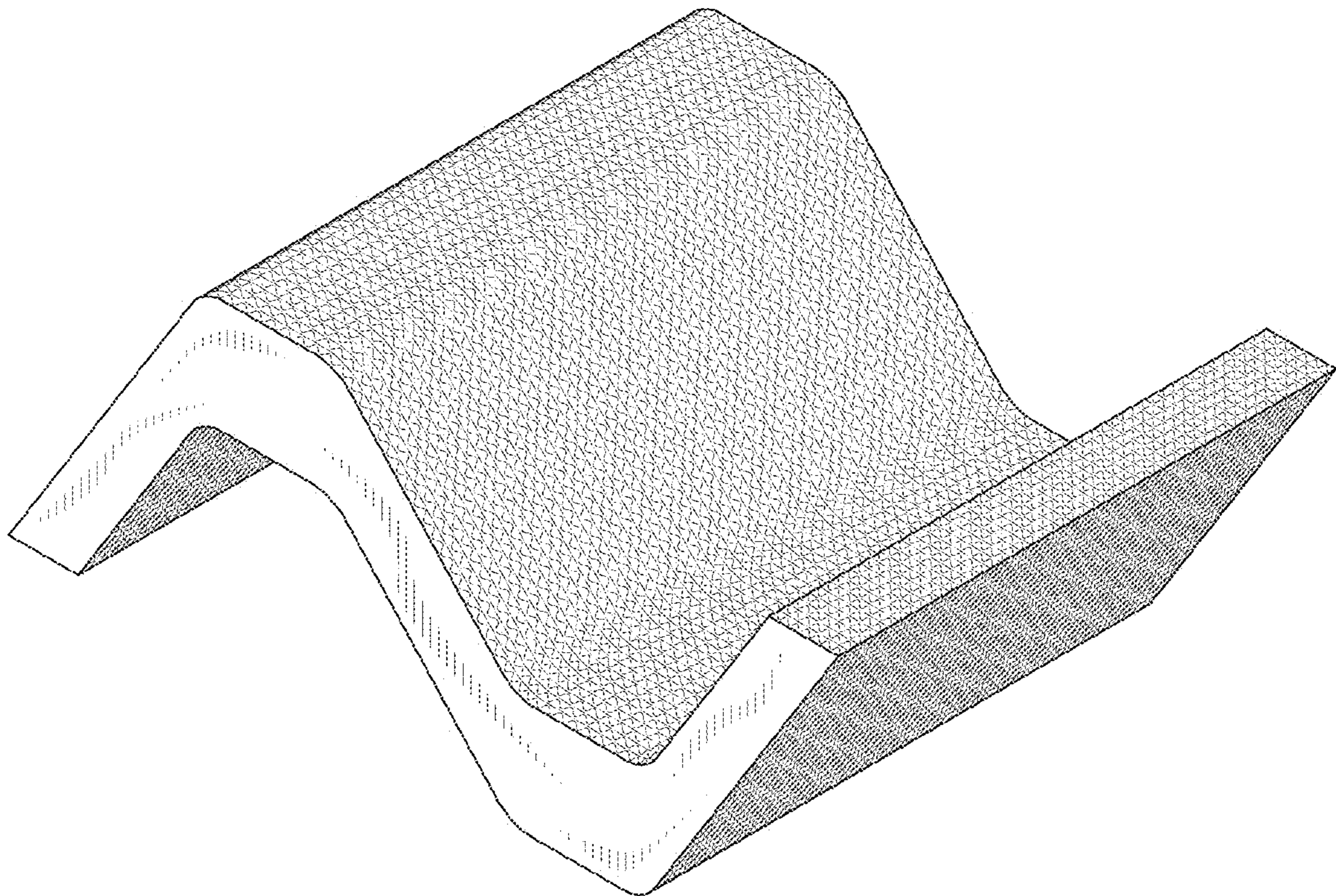


FIG. 1

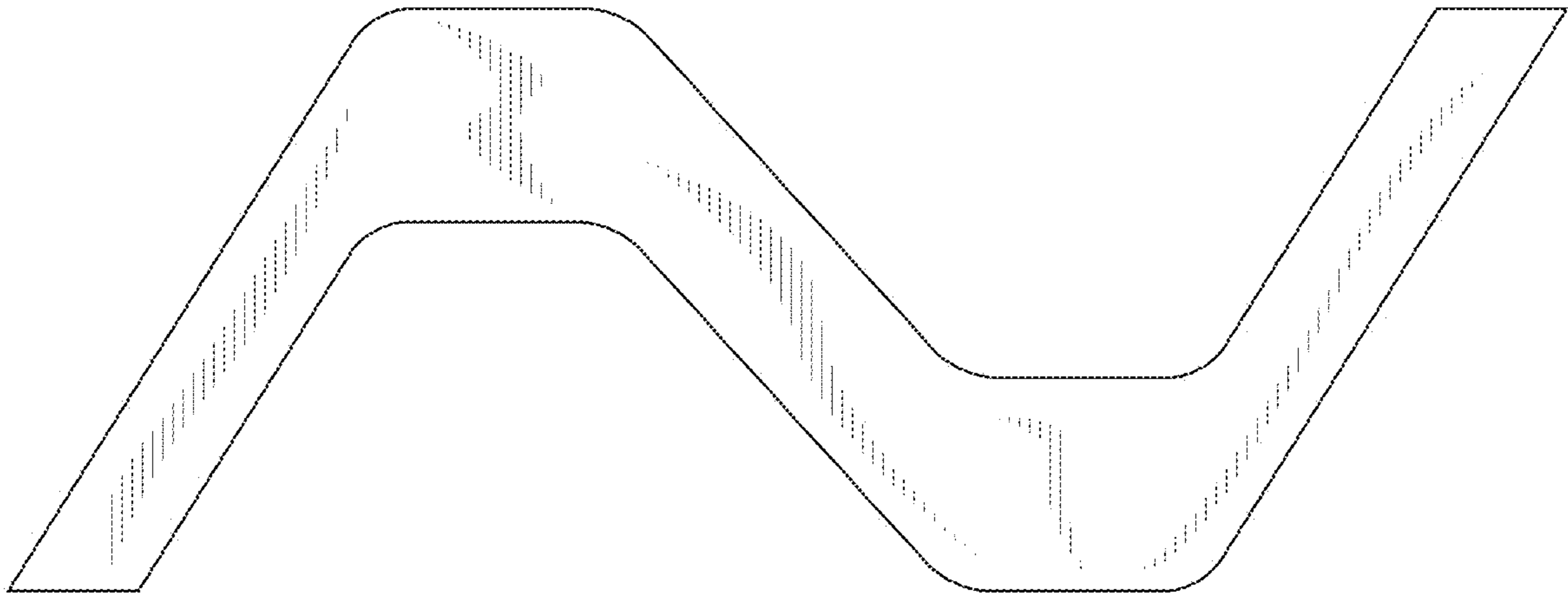


FIG. 2

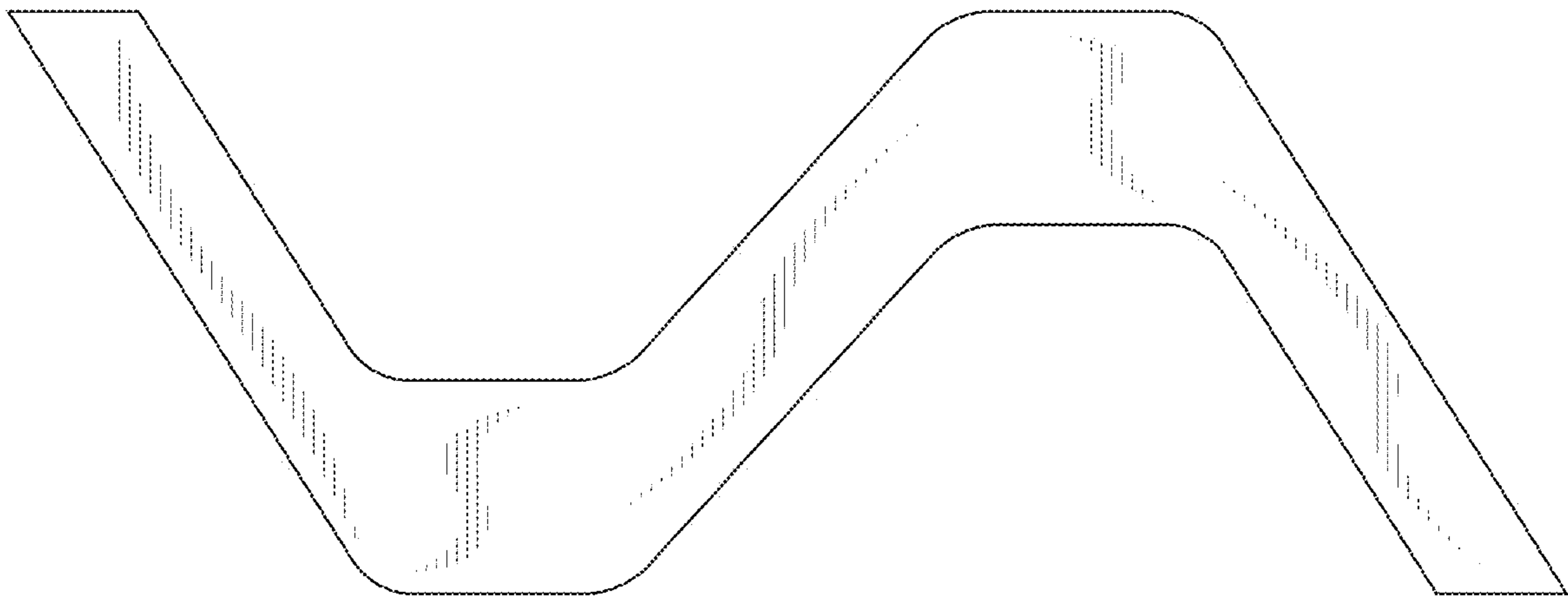


FIG. 3

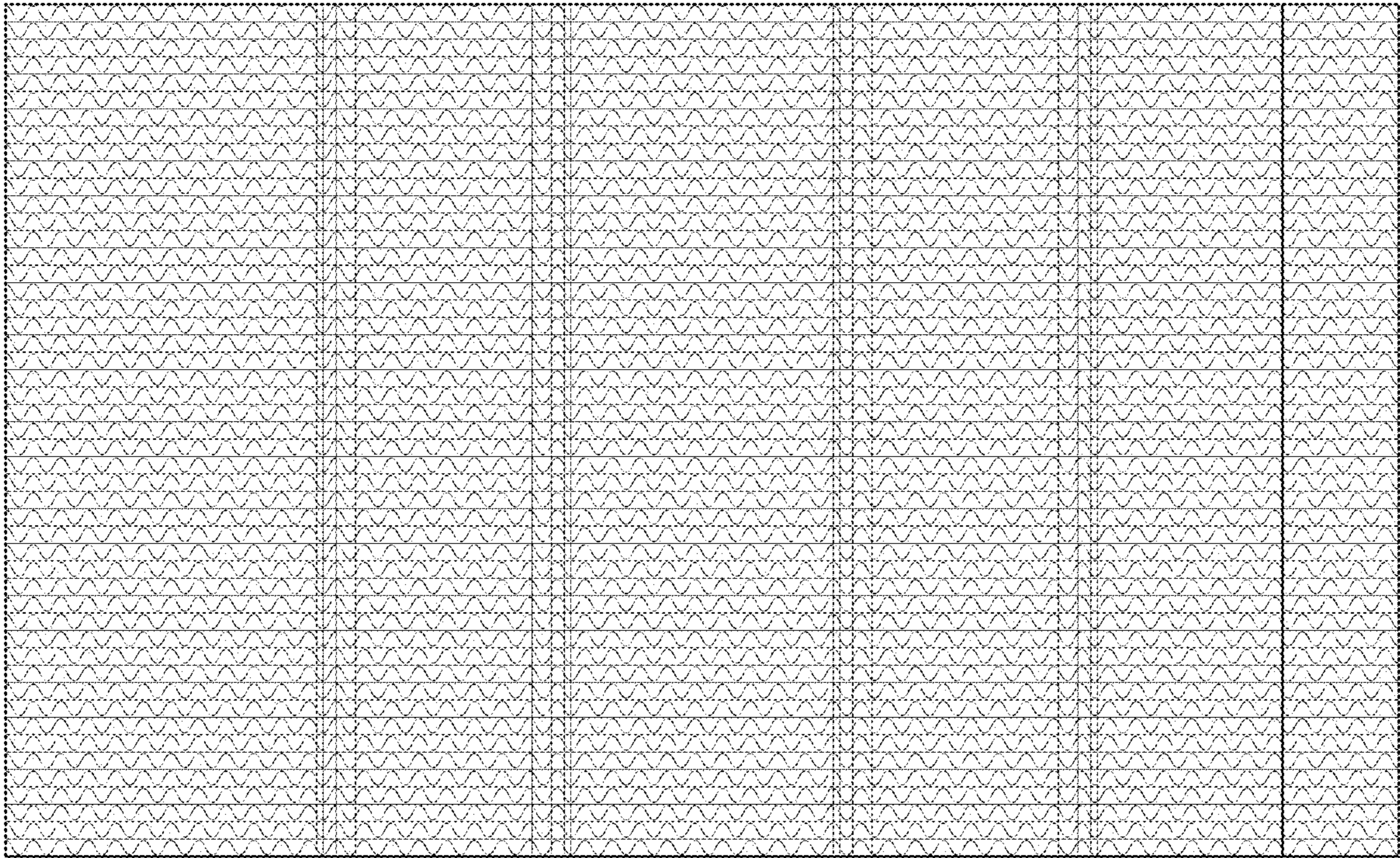


FIG. 4

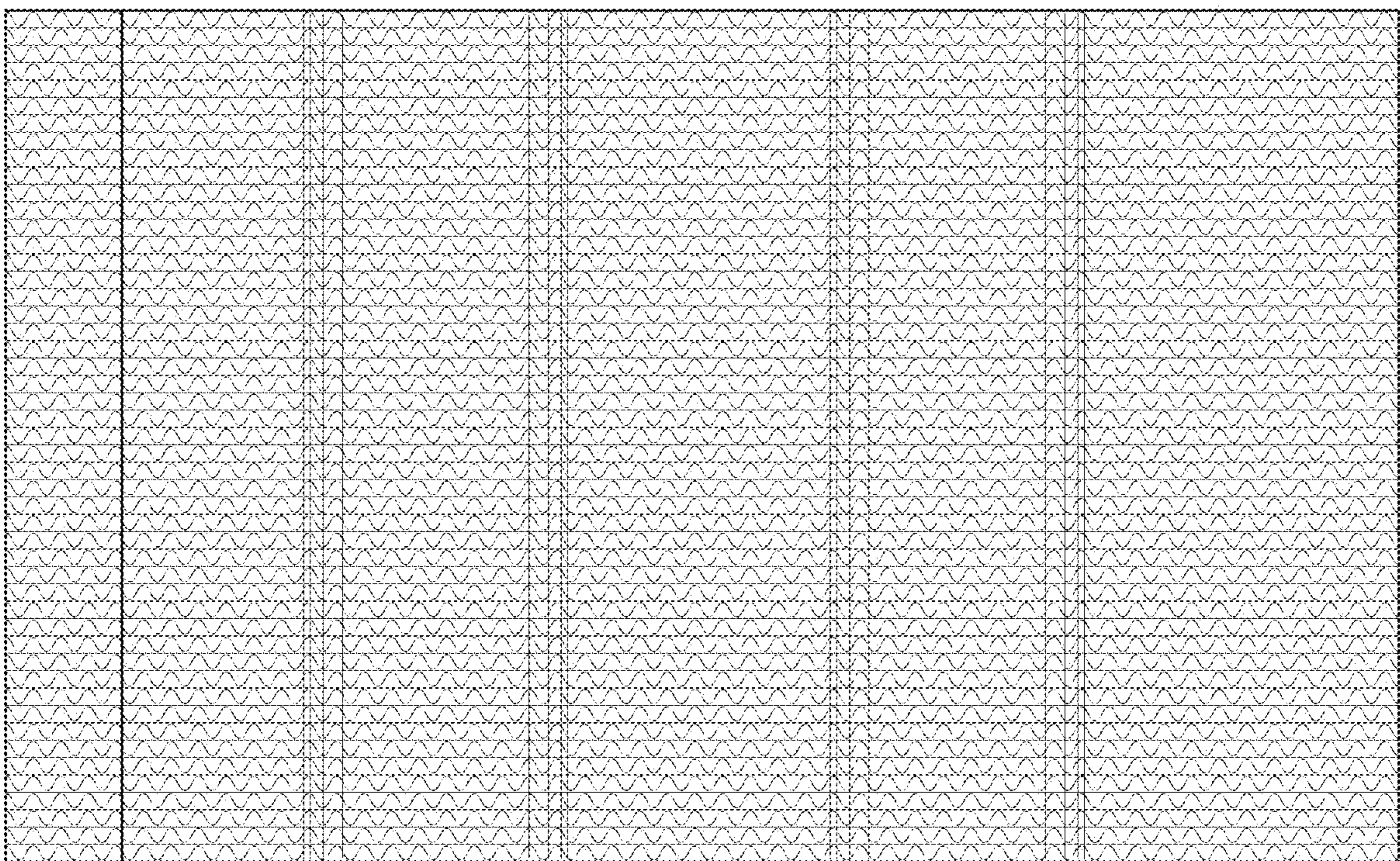


FIG. 5

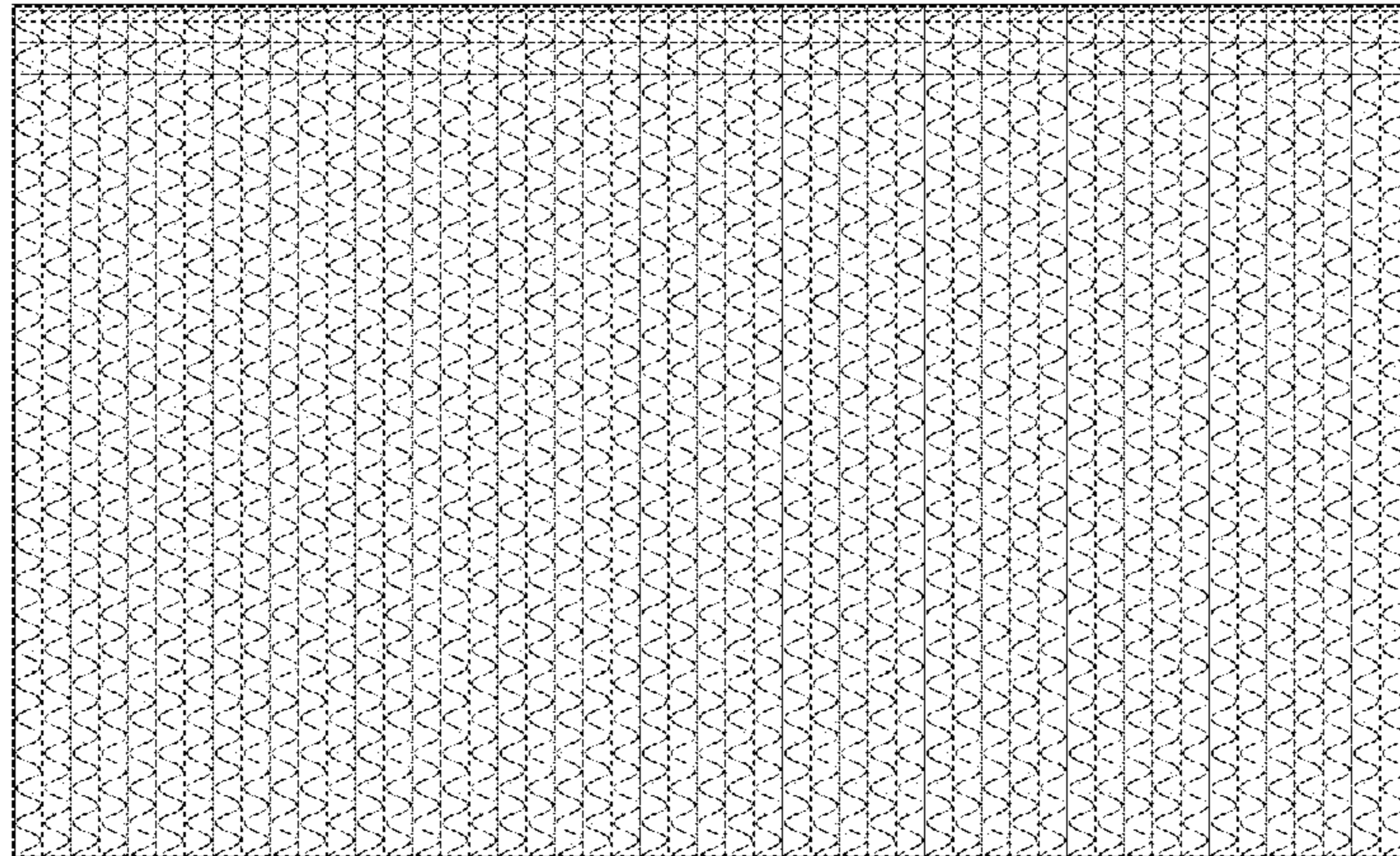


FIG. 6

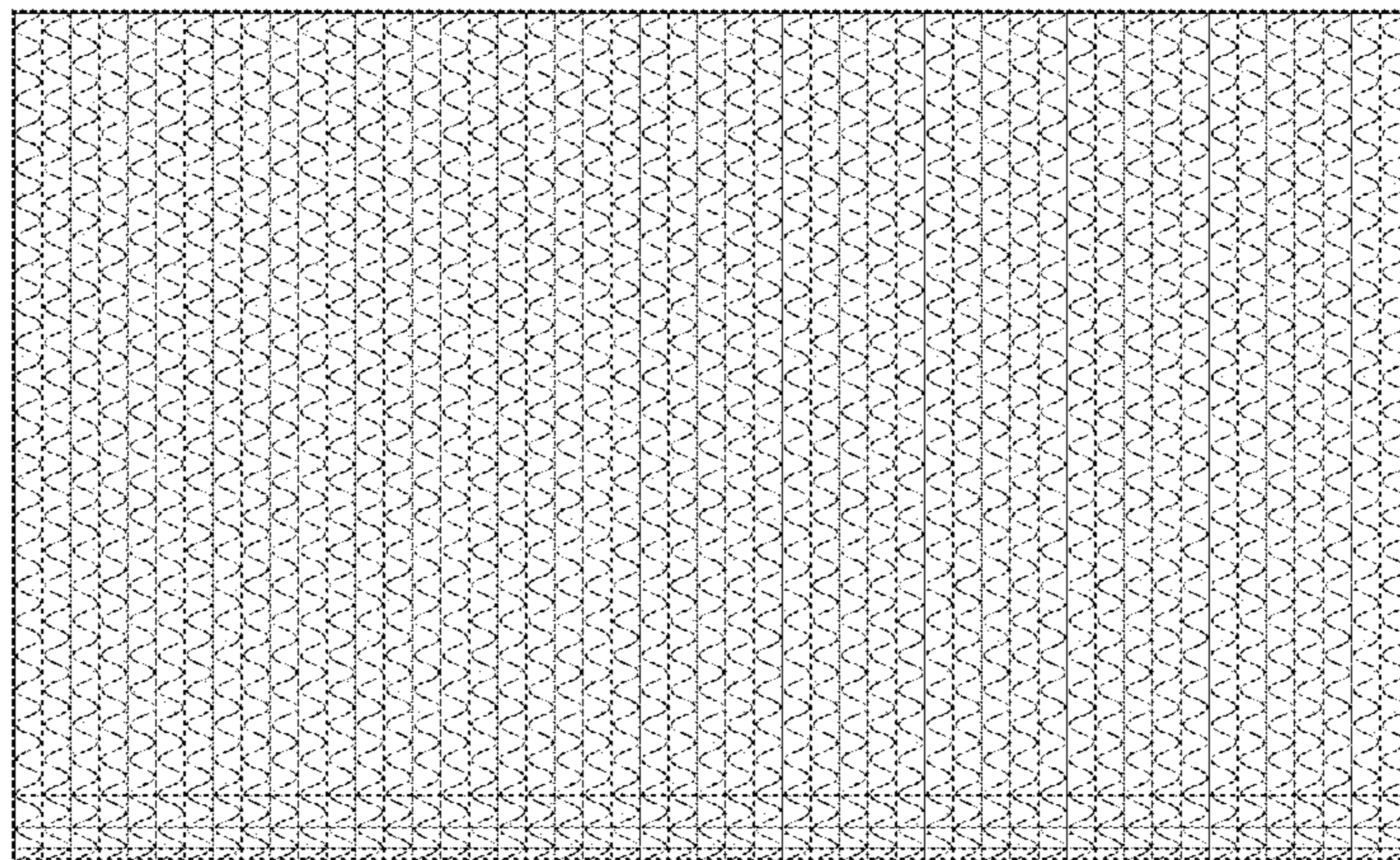


FIG. 7