



US00D930278S

(12) **United States Design Patent** (10) **Patent No.:** **US D930,278 S**  
**Su** (45) **Date of Patent:** **\*\* Sep. 7, 2021**

(54) **PET FEEDING BOWL**  
(71) Applicant: **Shenzhen Fansite Electronic Technology Co., Ltd, Shenzhen (CN)**  
(72) Inventor: **Xueyu Su, Nanning (CN)**  
(73) Assignee: **Shenzhen Fansite Electronic Technology Co., Ltd, Shenzhen (CN)**  
(\*\*) Term: **15 Years**  
(21) Appl. No.: **29/772,582**  
(22) Filed: **Mar. 3, 2021**  
(51) **LOC (13) Cl.** ..... **30-03**  
(52) **U.S. Cl.**  
USPC ..... **D30/133; D30/121; D30/131**  
(58) **Field of Classification Search**  
USPC ..... D30/133, 121, 128, 130, 132, 122, 129;  
119/52.1, 55, 61.5-61.56, 51.01, 51.03,  
119/59, 62, 63, 51.5, 57.8, 74, 61;  
D6/480-485; 248/188, 151; 312/204;  
108/153.1-157, 25-26; 220/23.87, 630,  
220/737, 743, 9.4, 495.01, 574, 212, 255,  
220/23.83, 575; 206/515, 557, 560, 562,  
206/563, 565; D7/586, 543, 550.1, 587,  
D7/505, 584, 545, 500, 553.1-553.8, 546,  
D7/555, 556, 504, 565, 562, 602, 507,  
D7/549, 558, 552.2, 560, 566, 548, 681;  
D9/429; 43/109; D22/122; 99/430,  
99/DIG. 15  
CPC ..... A01K 5/00; A01K 5/01; A01K 5/0107;  
A01K 5/0114; A01K 5/0121; A01K  
5/0128; A01K 5/0135; A01K 7/005  
See application file for complete search history.

(56) **References Cited**  
U.S. PATENT DOCUMENTS

D209,678 S \* 12/1967 Robert ..... D30/133  
D217,360 S \* 4/1970 Robert ..... D30/133

D293,947 S \* 1/1988 Younker ..... D30/130  
D303,441 S \* 9/1989 Keller ..... D30/129  
D303,853 S \* 10/1989 Keller ..... D30/129  
D343,482 S \* 1/1994 Keller ..... D30/130  
D358,008 S \* 5/1995 Keller ..... D21/816  
D377,246 S \* 1/1997 Clenney ..... 294/1.3  
D412,605 S \* 8/1999 Sharon ..... D30/129  
6,209,487 B1 \* 4/2001 Quinlan ..... A01K 5/0114  
119/51.01  
D481,592 S \* 11/2003 Bulcher ..... D7/553.1  
6,705,249 B2 \* 3/2004 Quinlan ..... A01K 5/0114  
119/51.01  
D489,941 S \* 5/2004 Bulcher ..... D7/553.1  
6,742,821 B2 \* 6/2004 Kleinpell ..... A47J 47/02  
206/457  
6,786,177 B1 \* 9/2004 Lemkin ..... A01K 5/0114  
119/51.01

(Continued)

*Primary Examiner* — Susan Moon Lee  
(74) *Attorney, Agent, or Firm* — True Shepherd LLC;  
Andrew C. Cheng

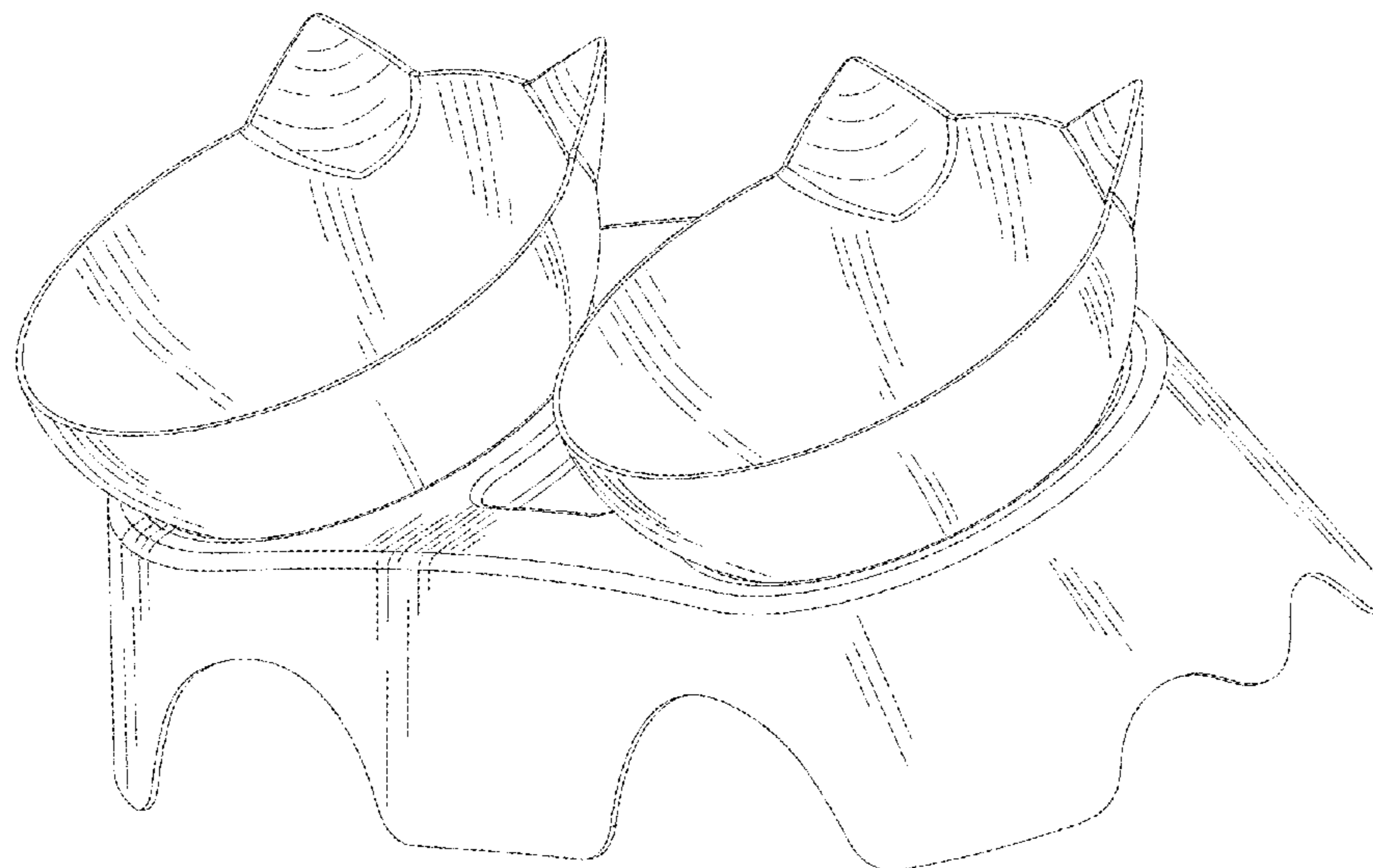
(57) **CLAIM**

The ornamental design for pet feeding bowl, as shown and described.

**DESCRIPTION**

FIG. 1 is a perspective view of a pet feeding bowl showing my new design;  
FIG. 2 is a front view thereof;  
FIG. 3 is a rear view thereof;  
FIG. 4 is a left side view thereof;  
FIG. 5 is a right side view thereof;  
FIG. 6 is a top plan view thereof;  
FIG. 7 is a bottom plan view thereof; and,  
FIG. 8 is a perspective view thereof showing two bowls separated from a base for mounting the bowls.  
The broken lines depict unclaimed subject matter for illustrative purposes only and form no part of the design claim.

**1 Claim, 8 Drawing Sheets**



(56)

References Cited

U.S. PATENT DOCUMENTS

D501,364 S \* 2/2005 Tranfaglia ..... D7/543  
 D503,617 S \* 4/2005 Roth ..... D9/451  
 D521,690 S \* 5/2006 Krcek ..... D30/133  
 7,204,202 B2 \* 4/2007 Behun ..... A01K 5/0128  
 119/61.5  
 D541,994 S \* 5/2007 Dana ..... D30/129  
 D547,526 S \* 7/2007 Perkins ..... D1/104  
 D551,400 S \* 9/2007 Tsengas ..... D30/133  
 7,337,943 B2 \* 3/2008 Johns ..... B65D 1/36  
 229/406  
 7,441,514 B2 \* 10/2008 Dana ..... A01K 5/0128  
 119/61.5  
 D586,527 S \* 2/2009 Perkins ..... D1/105  
 D601,385 S \* 10/2009 Savage ..... D7/543  
 D630,070 S \* 1/2011 Mazur ..... D8/38  
 D646,440 S \* 10/2011 Chance ..... D30/133  
 D646,442 S \* 10/2011 Chance ..... D30/133  
 D653,000 S \* 1/2012 Rutherford ..... D30/130  
 D655,054 S \* 2/2012 Lipscomb ..... A01K 5/0114  
 D30/129  
 D669,231 S \* 10/2012 Chance ..... D30/133  
 D676,710 S \* 2/2013 Kwok ..... D7/544  
 D683,190 S \* 5/2013 Shields ..... D7/544  
 D683,592 S \* 6/2013 Shields ..... D7/544

D711,052 S \* 8/2014 Lee ..... A01K 5/0114  
 D30/129  
 D772,493 S \* 11/2016 Wu ..... D30/129  
 D772,494 S \* 11/2016 Wu ..... D30/133  
 D774,907 S \* 12/2016 Planer ..... D9/438  
 D802,853 S \* 11/2017 MacNeil ..... D30/133  
 D823,553 S \* 7/2018 Liu ..... D30/130  
 10,111,402 B2 \* 10/2018 Takagi ..... A01K 1/0114  
 D853,199 S \* 7/2019 Huang ..... D7/551.1  
 D857,308 S \* 8/2019 Bak ..... D30/133  
 D869,781 S 12/2019 Han  
 D873,503 S 1/2020 MacNeil, Jr.  
 D877,568 S \* 3/2020 Finell ..... D7/515  
 D877,569 S \* 3/2020 Finell ..... D7/515  
 D889,052 S \* 6/2020 Bak ..... D30/133  
 D899,706 S \* 10/2020 Liang ..... D30/129  
 D904,696 S \* 12/2020 Xu ..... D30/129  
 D907,307 S 1/2021 Lan et al.  
 D917,111 S \* 4/2021 Guo ..... D30/158  
 D918,488 S \* 5/2021 Kerr ..... D30/129  
 D919,195 S \* 5/2021 Tan ..... D30/129  
 2003/0037732 A1 \* 2/2003 Quinlan ..... A01K 5/0114  
 119/51.01  
 2006/0000418 A1 \* 1/2006 Kubala ..... A01K 5/0114  
 119/53  
 2016/0135420 A1 \* 5/2016 Takagi ..... A01K 1/0114  
 119/166

\* cited by examiner

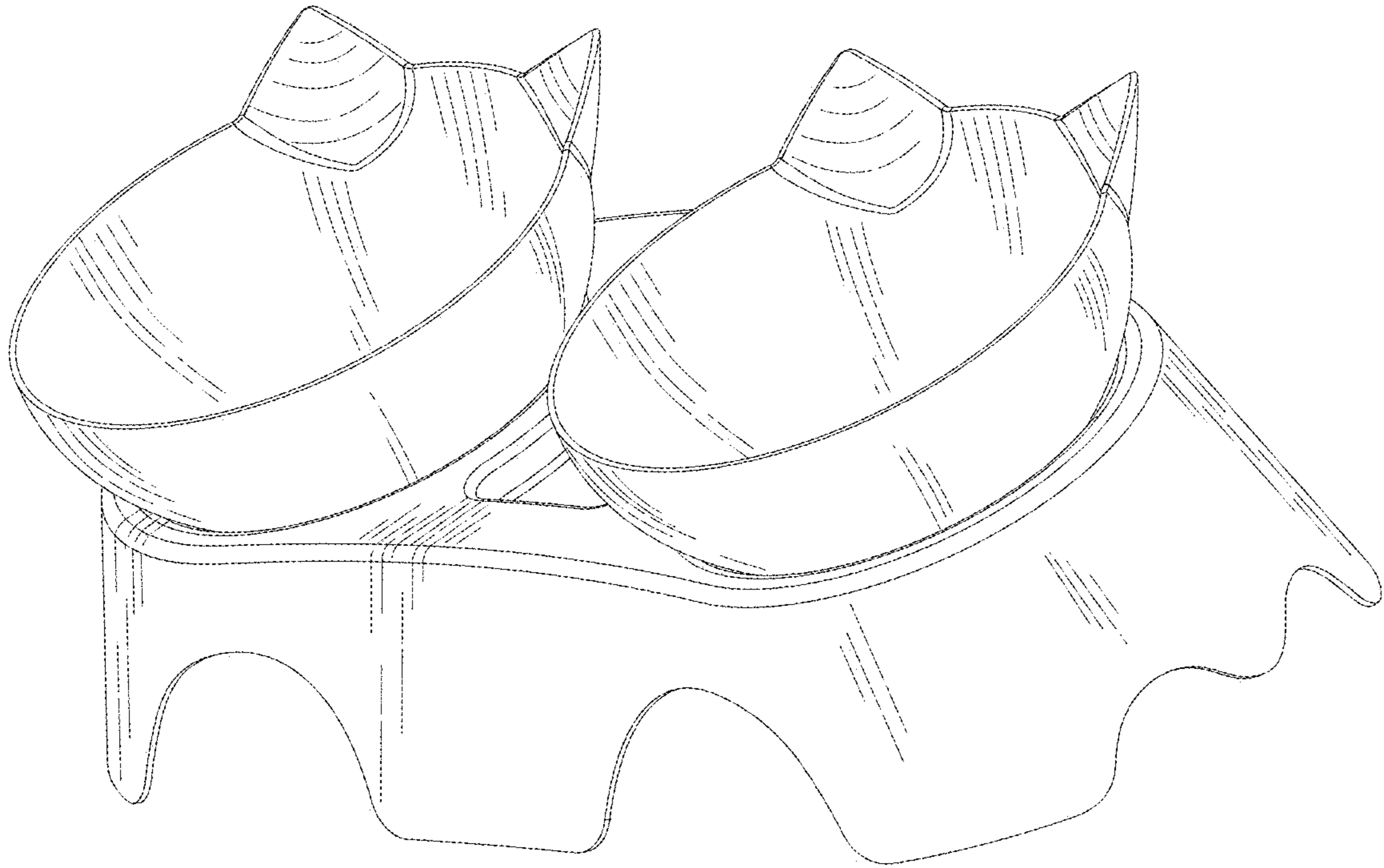


FIG. 1

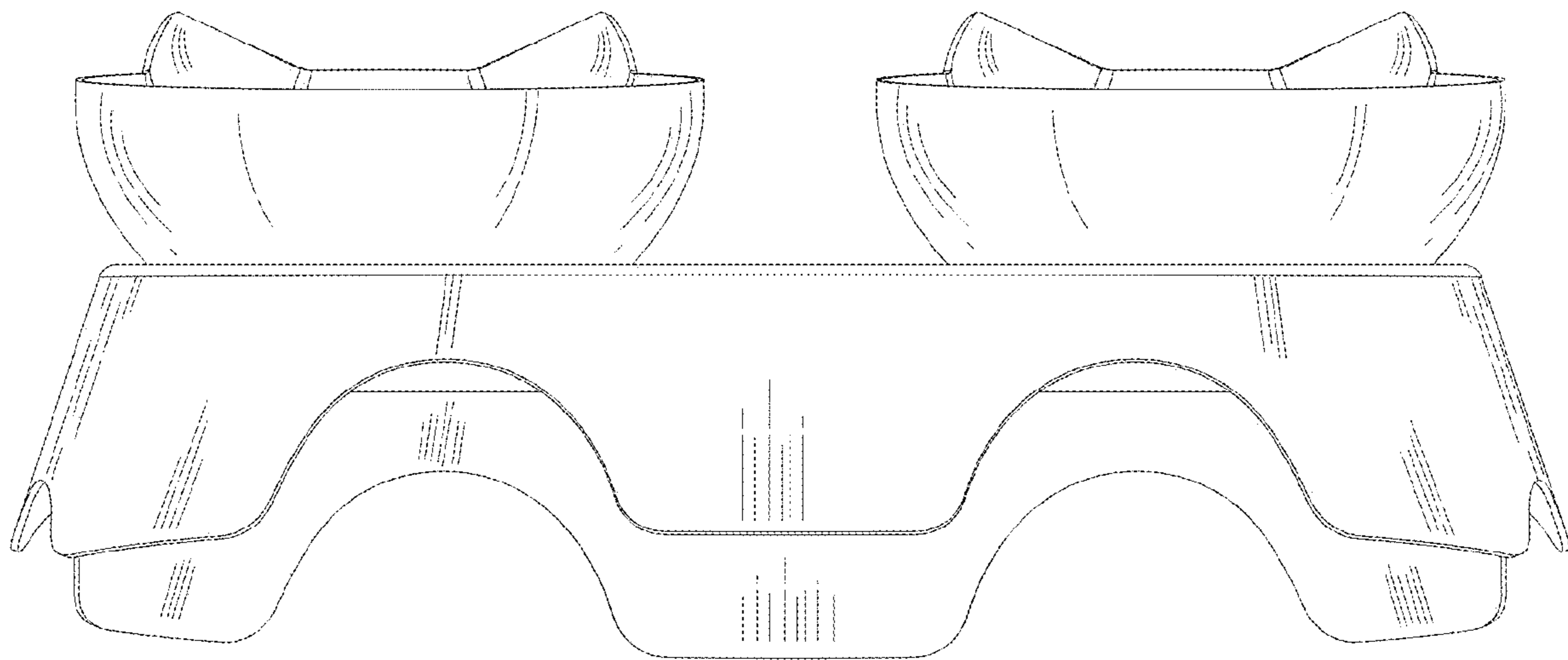


FIG.2



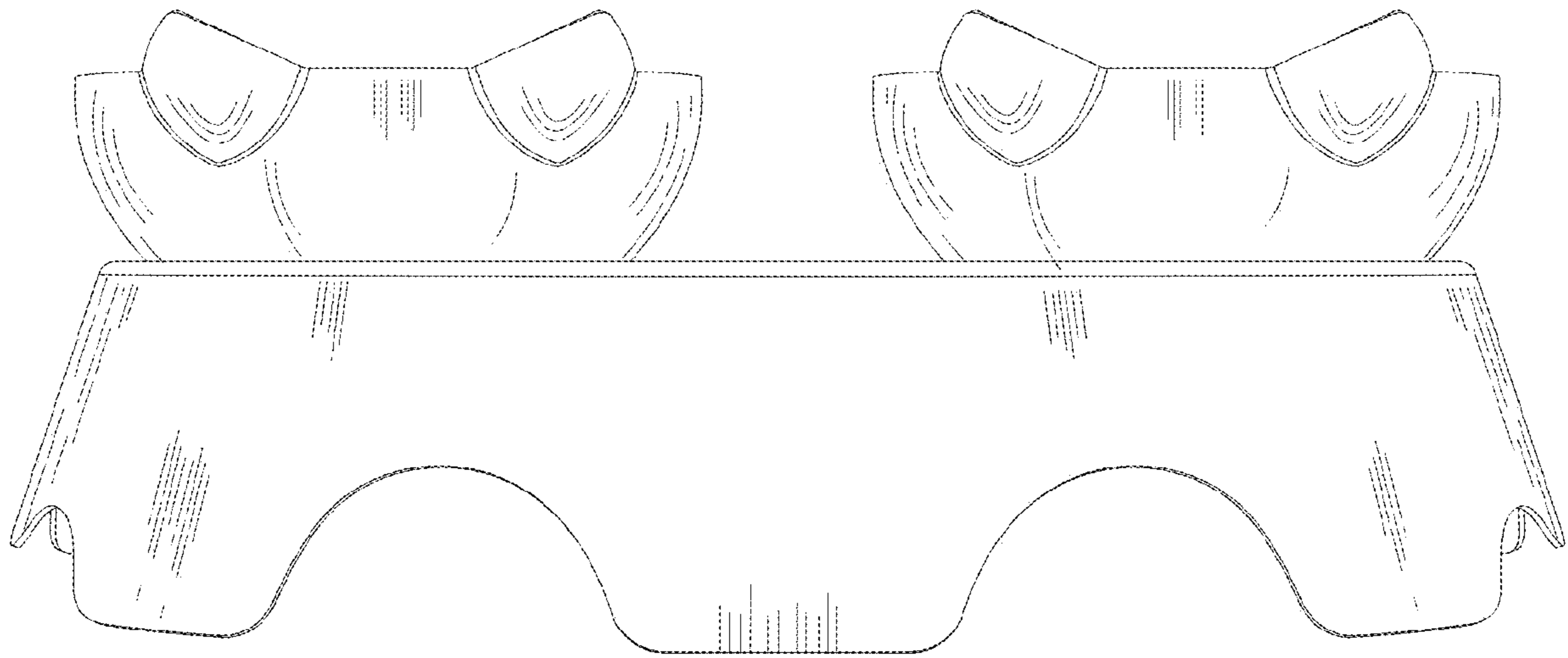


FIG. 3

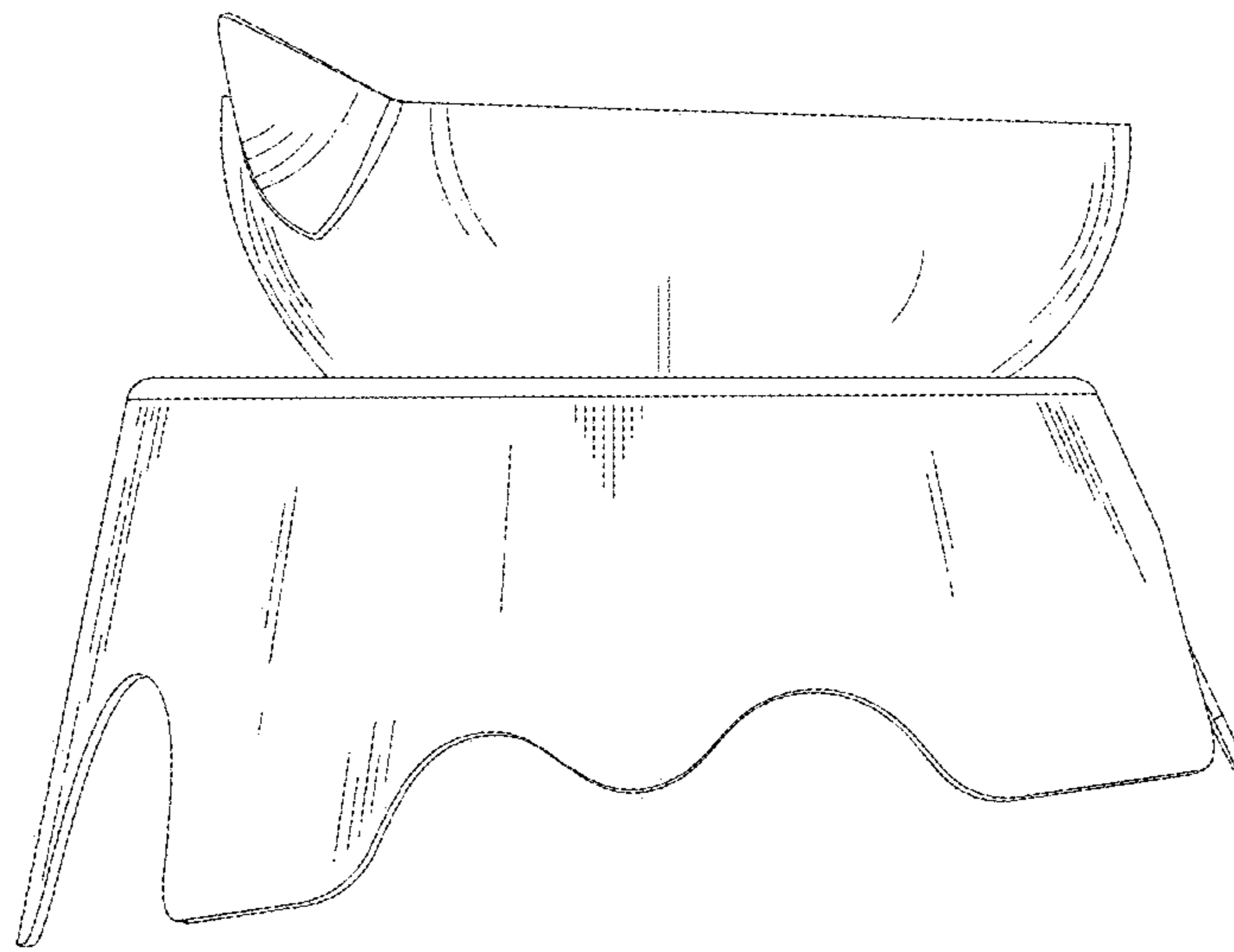


FIG.4

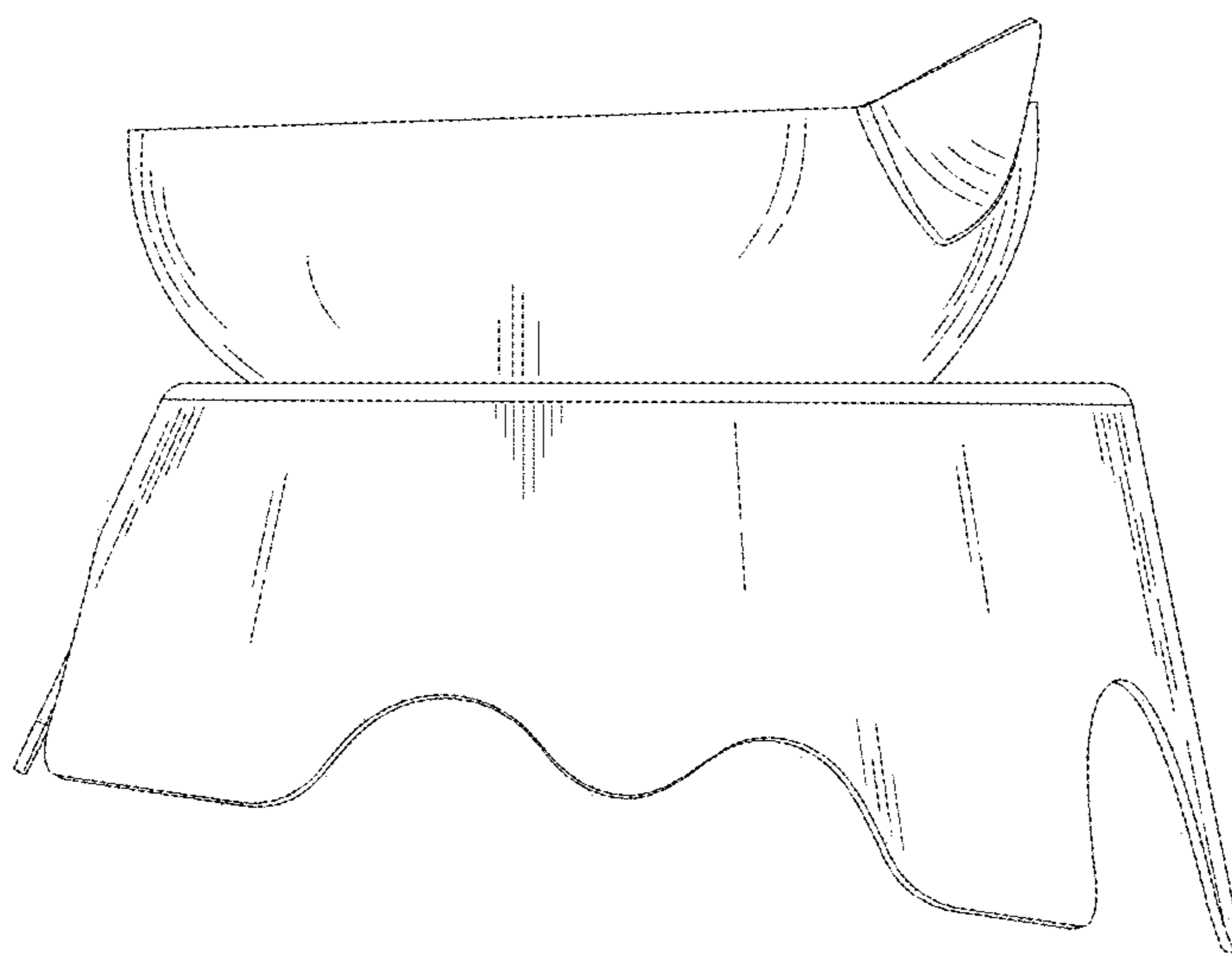


FIG. 5

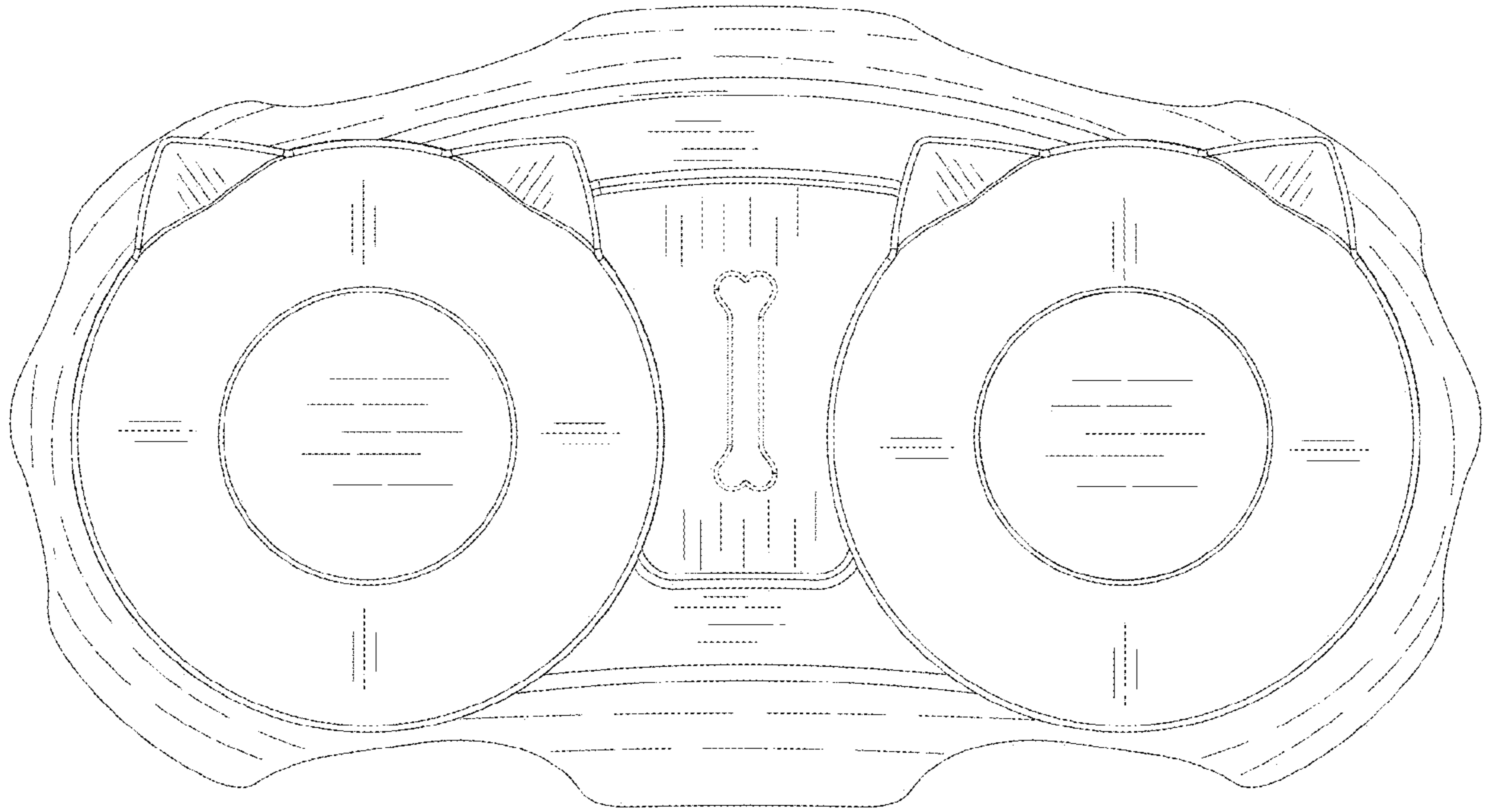


FIG.6



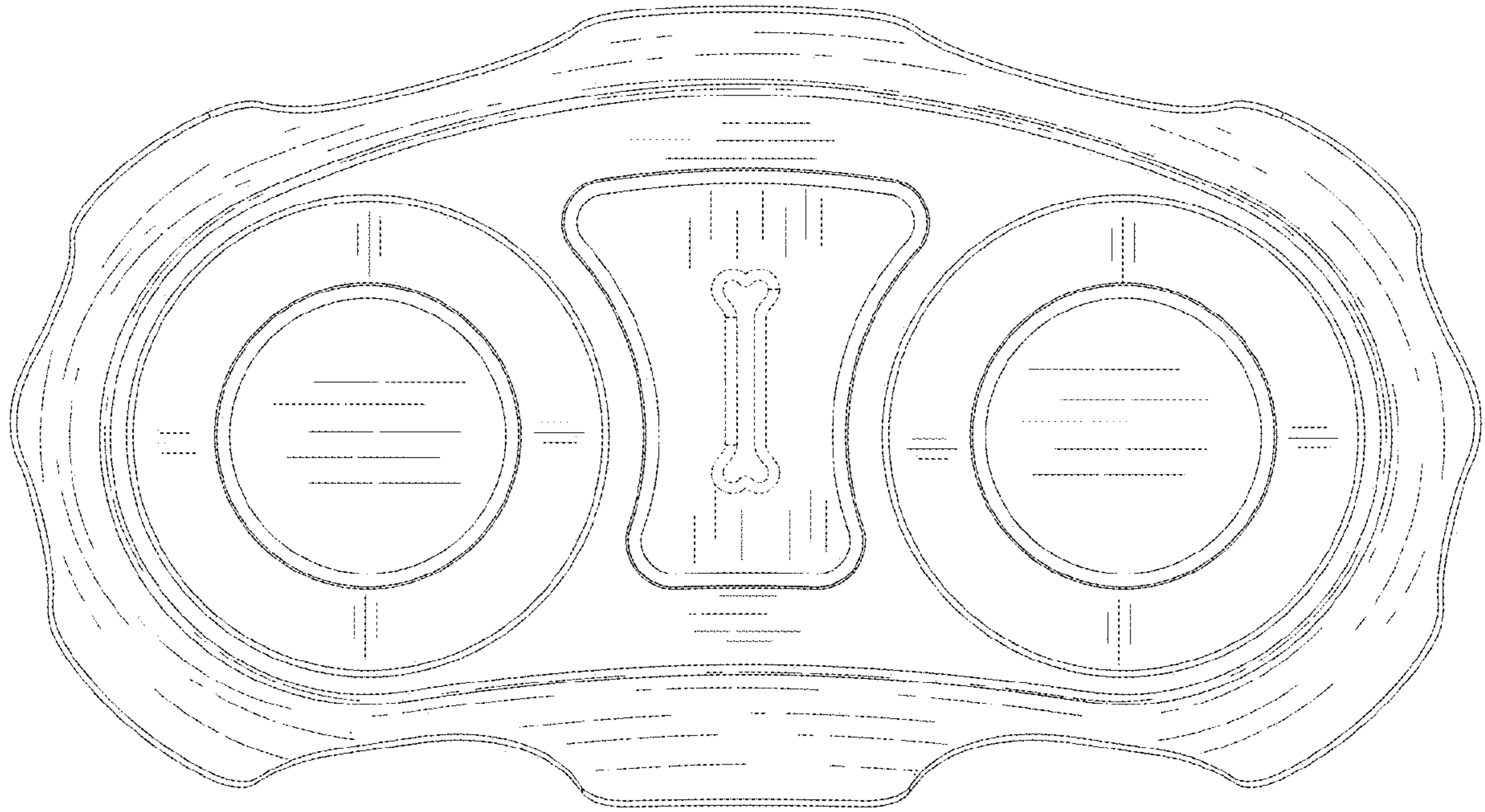


FIG. 7

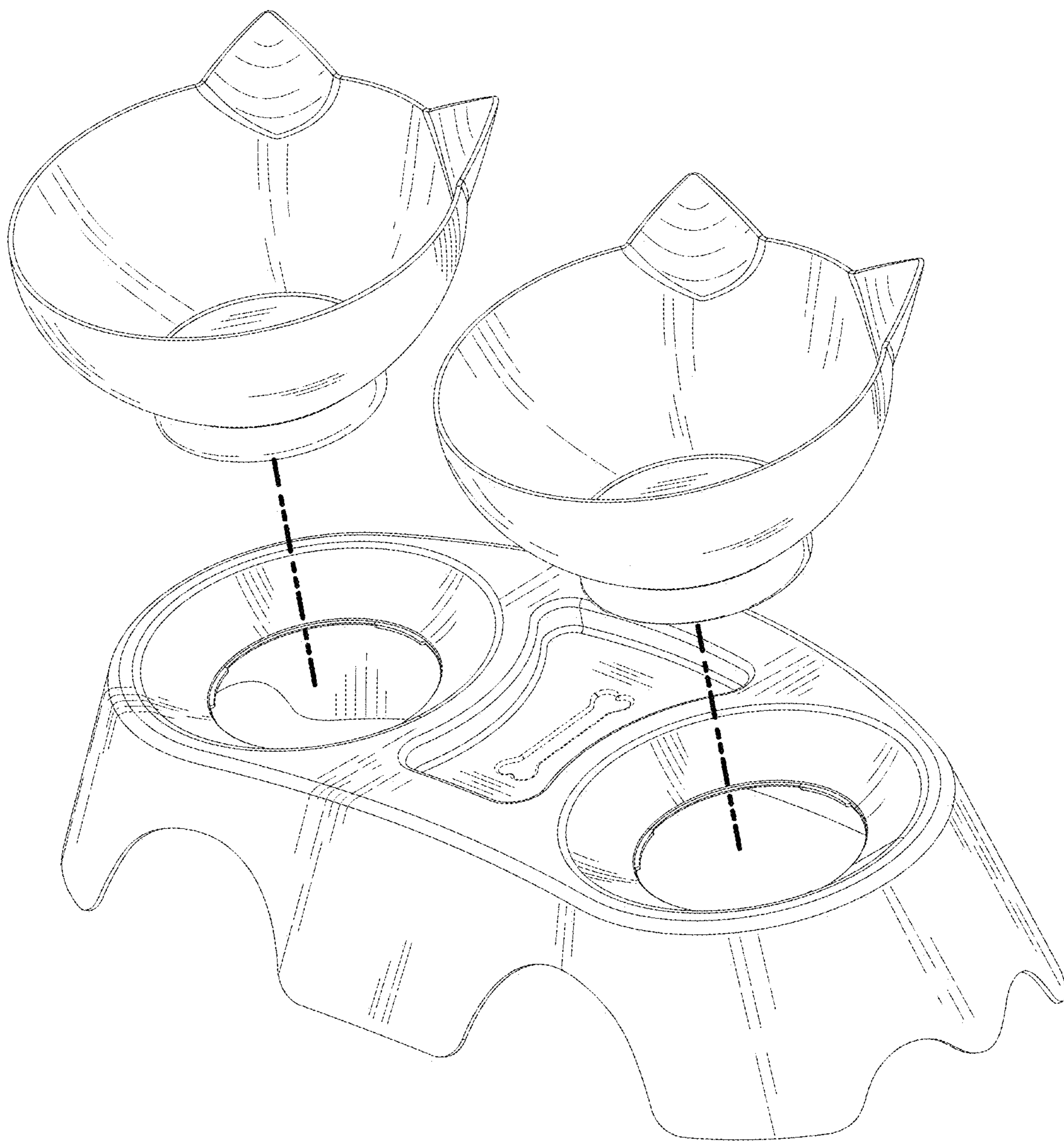


FIG. 8