



US00D930277S

(12) **United States Design Patent**
Huthmaker et al.

(10) **Patent No.:** **US D930,277 S**

(45) **Date of Patent:** **** Sep. 7, 2021**

(54) **ANIMAL PEN**

OTHER PUBLICATIONS

(71) Applicants: **Robert Wayne Huthmaker**, Glenwood Springs, CO (US); **Julie Huthmaker**, Glenwood Springs, CO (US)

U.S. Appl. No. 61/163,356, filed Mar. 25, 2009.

(Continued)

(72) Inventors: **Robert Wayne Huthmaker**, Glenwood Springs, CO (US); **Julie Huthmaker**, Glenwood Springs, CO (US)

Primary Examiner — Aula Soroush

(74) *Attorney, Agent, or Firm* — Darrow Mustafa PC

(**) Term: **15 Years**

(57) **CLAIM**

The ornamental design for an animal pen, as shown and described.

(21) Appl. No.: **29/750,929**

(22) Filed: **Sep. 17, 2020**

DESCRIPTION

Related U.S. Application Data

(62) Division of application No. 29/632,739, filed on Jan. 9, 2018, now Pat. No. Des. 900,409.

(51) **LOC (13) Cl.** **30-02**

(52) **U.S. Cl.**
USPC **D30/119**

(58) **Field of Classification Search**
USPC D30/118–119, 158, 160; D21/520;
D6/601, 349, 595–597, 604, 382
(Continued)

FIG. 1 is a perspective view of a first embodiment of an animal pen showing our ornamental design;
FIG. 2 is a front elevation view of the animal pen of FIG. 1;
FIG. 3 is a rear elevation view of the animal pen of FIG. 1;
FIG. 4 is a left side elevation view of the animal pen of FIG. 1;
FIG. 5 is a right side elevation view of the animal pen of FIG. 1;
FIG. 6 is a top plan view of the animal pen of FIG. 1;
FIG. 7 is a bottom plan view of the animal pen of FIG. 1;
FIG. 8 is a perspective view of a second embodiment of an animal pen showing our ornamental design;
FIG. 9 is a front elevation view of the animal pen of FIG. 8;
FIG. 10 is a rear elevation view of the animal pen of FIG. 8;
FIG. 11 is a left side elevation view of the end cap for animal pen of FIG. 8;
FIG. 12 is a right side elevation view of the animal pen of FIG. 8;
FIG. 13 is a top plan view of the animal pen of FIG. 8; and,
FIG. 14 is a bottom plan view of the animal pen of FIG. 8.
The broken lines in the drawings illustrate portions of the animal pen that form no part of the claimed design.

(56) **References Cited**

U.S. PATENT DOCUMENTS

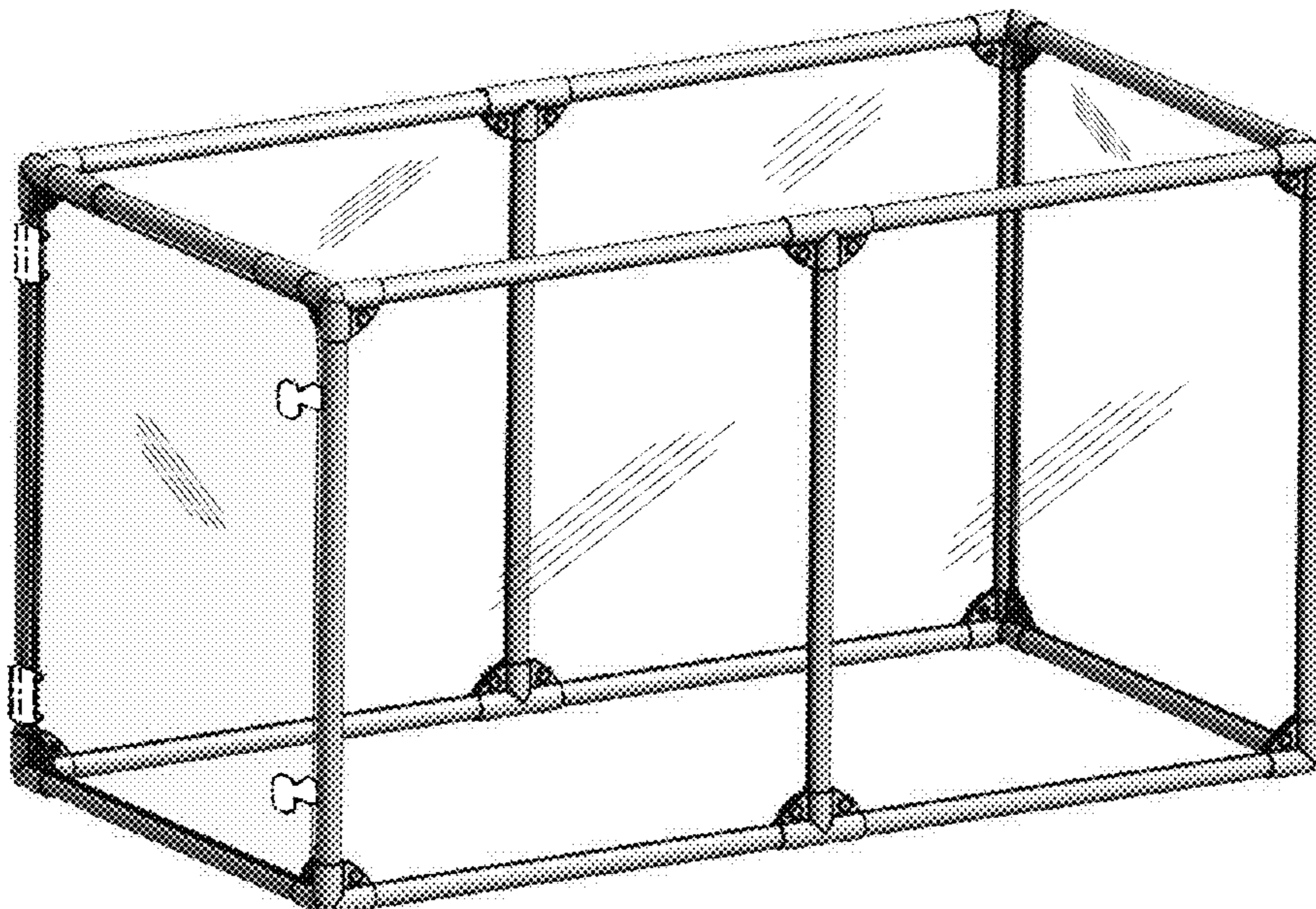
2,839,320 A * 6/1958 Hill F16B 7/04
403/172
3,606,620 A * 9/1971 Glover A47D 7/002
5/99.1

(Continued)

FOREIGN PATENT DOCUMENTS

AU 2015101082 A4 9/2015
WO 2010111513 A1 9/2010

1 Claim, 7 Drawing Sheets



(58) **Field of Classification Search**
 CPC A01K 1/00; A01K 1/0272; A01K 1/0353;
 A01K 1/035
 See application file for complete search history.

(56) **References Cited**

U.S. PATENT DOCUMENTS

6,851,135 B1 * 2/2005 Chen A47D 13/063
 5/98.1
 6,874,177 B2 * 4/2005 Hsia A47D 7/03
 5/93.1
 D522,933 S 6/2006 Monaghan
 D686,287 S 7/2013 Boatwright
 D697,988 S * 1/2014 Januszek D21/686
 8,640,761 B2 2/2014 Potter
 8,919,284 B2 * 12/2014 Wolfe, Jr. A01K 15/02
 119/28.5
 D731,611 S * 6/2015 Klein D21/826
 9,622,602 B2 4/2017 Potter
 9,848,714 B2 * 12/2017 Burns A47D 13/06
 D809,216 S 1/2018 French
 D812,174 S * 3/2018 Civile D21/814
 D820,526 S 6/2018 Wilson et al.
 10,094,496 B2 * 10/2018 Humm B23K 33/006
 D852,907 S * 7/2019 Sergakis D21/686
 D866,088 S * 11/2019 Widner D30/118

10,786,098 B1 * 9/2020 Martin G01B 5/25
 D900,409 S * 10/2020 Huthmaker D30/119
 2007/0151026 A1 7/2007 Felix
 2008/0276872 A1 11/2008 Chern
 2009/0090302 A1 4/2009 Conrad et al.
 2010/0018466 A1 1/2010 Austin
 2010/0154118 A1 6/2010 Pearce
 2017/0306693 A1 10/2017 Potter

OTHER PUBLICATIONS

Tespo, "Tespo Dog Playpen, Portable Large Plastic Yard Fence for Small Animals, Popup Kennel Crate Fence Tent, Transparent White 12 Panels", Retrieved from the Internet: <https://www.amazon.com/Tespo-Playpen-Portable-Plastic-Transparent/dp/B06XTG94TH/ref=sr_1_3?ie=UTF8&qid=1522082785&sr=8-3&keywords=plastic+dog+pen>, retrieved Apr. 18, 2018 (11 pages).

Kousi, "Small Pets Playpen Indoor Yard Fence for Small Animals Popup Kennel Crate, Portable & Large, Dog Guinea Pigs Rabbit Puppy Tent—Transparent 12 Plastic Panels", Retrieved from the Internet: <https://www.amazon.com/KOUSI-Playpen-Indoor-Animals-Portable/dp/B01L3JMRGQ/ref=redir_mobile_desktop?_encoding=UTF8&ref_=cm_cr_arp_mb_bdcrb_top>, retrieved Jan. 10, 2018 (9 pages).

* cited by examiner

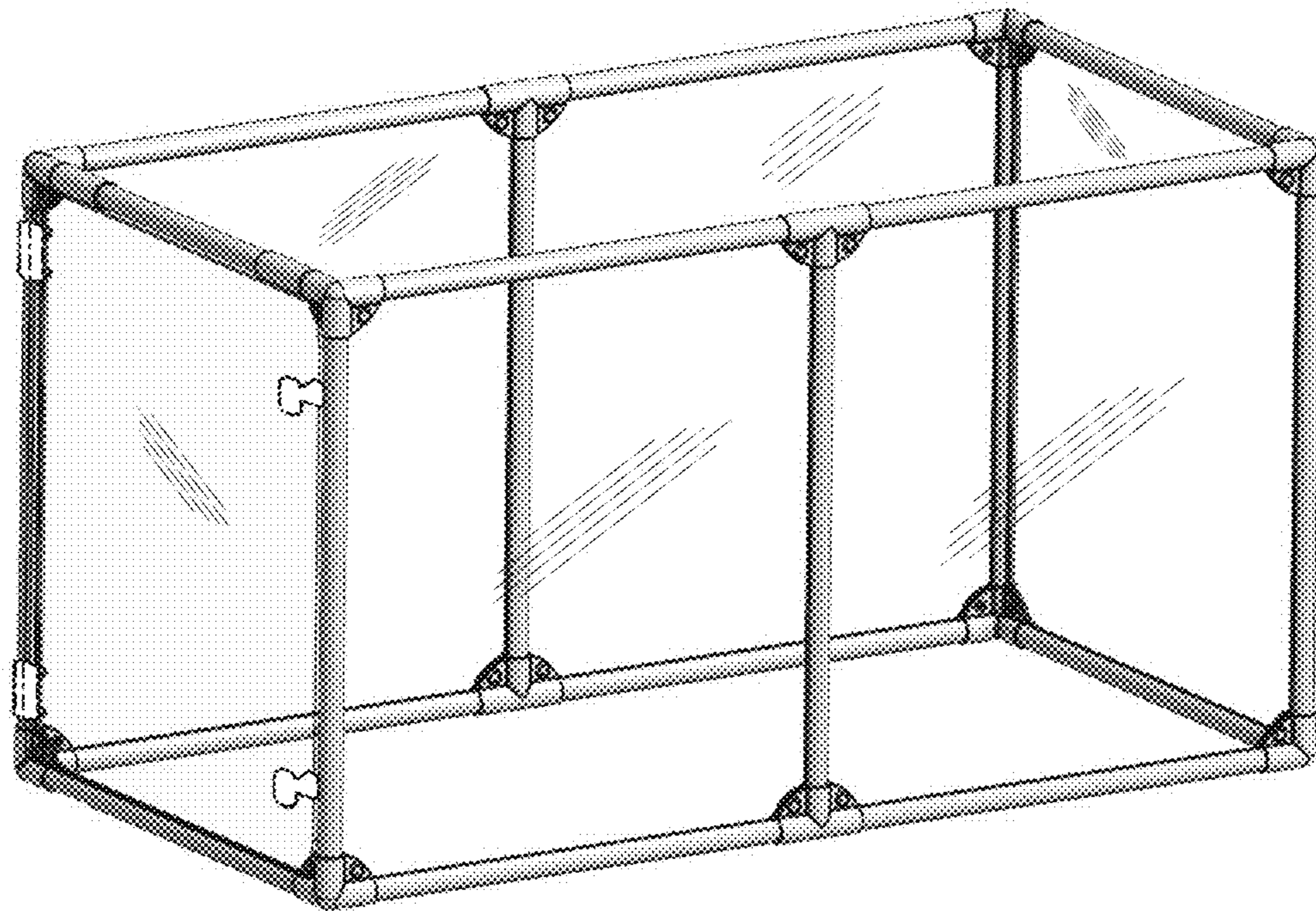


FIG. 1

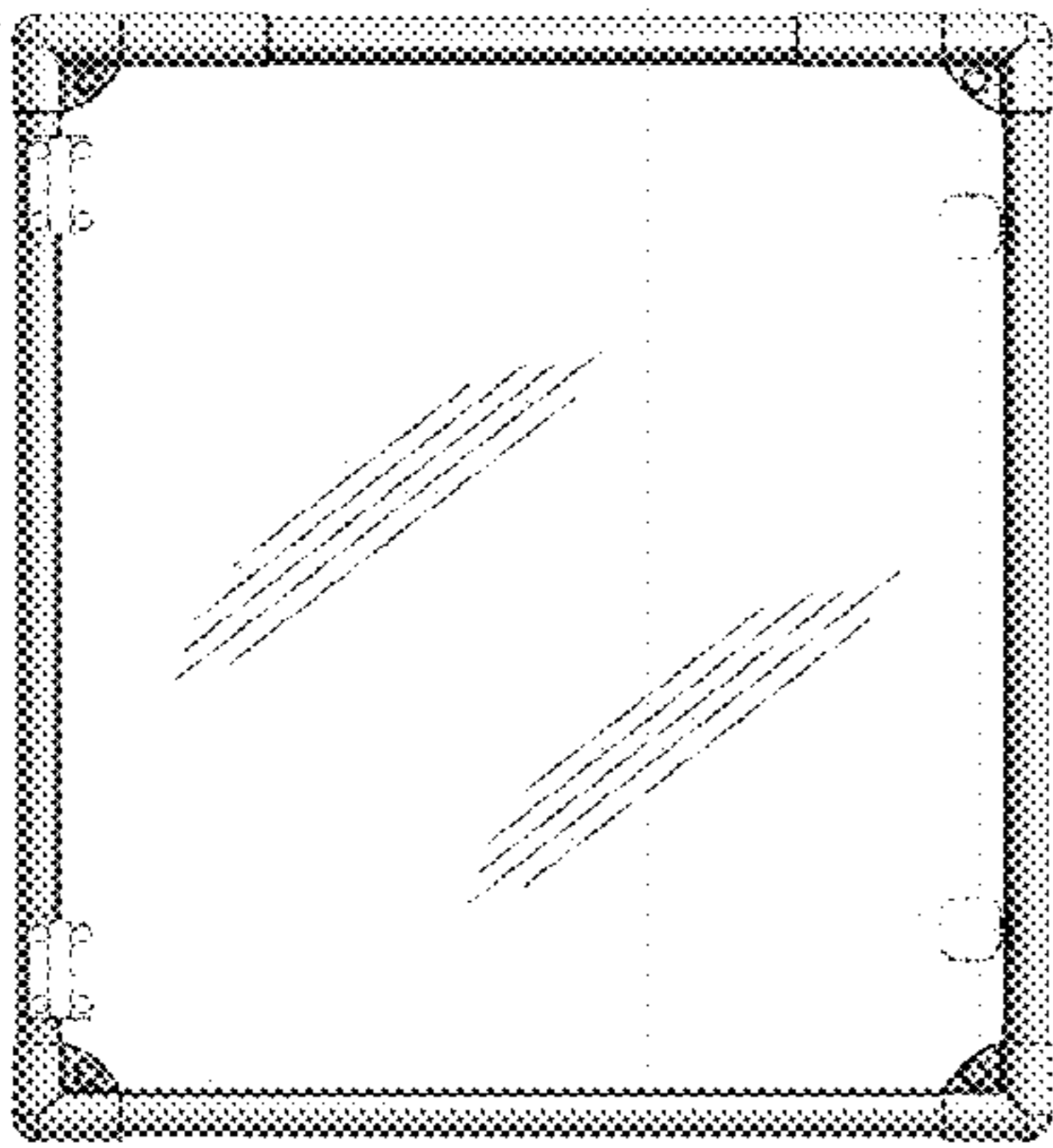


FIG. 2

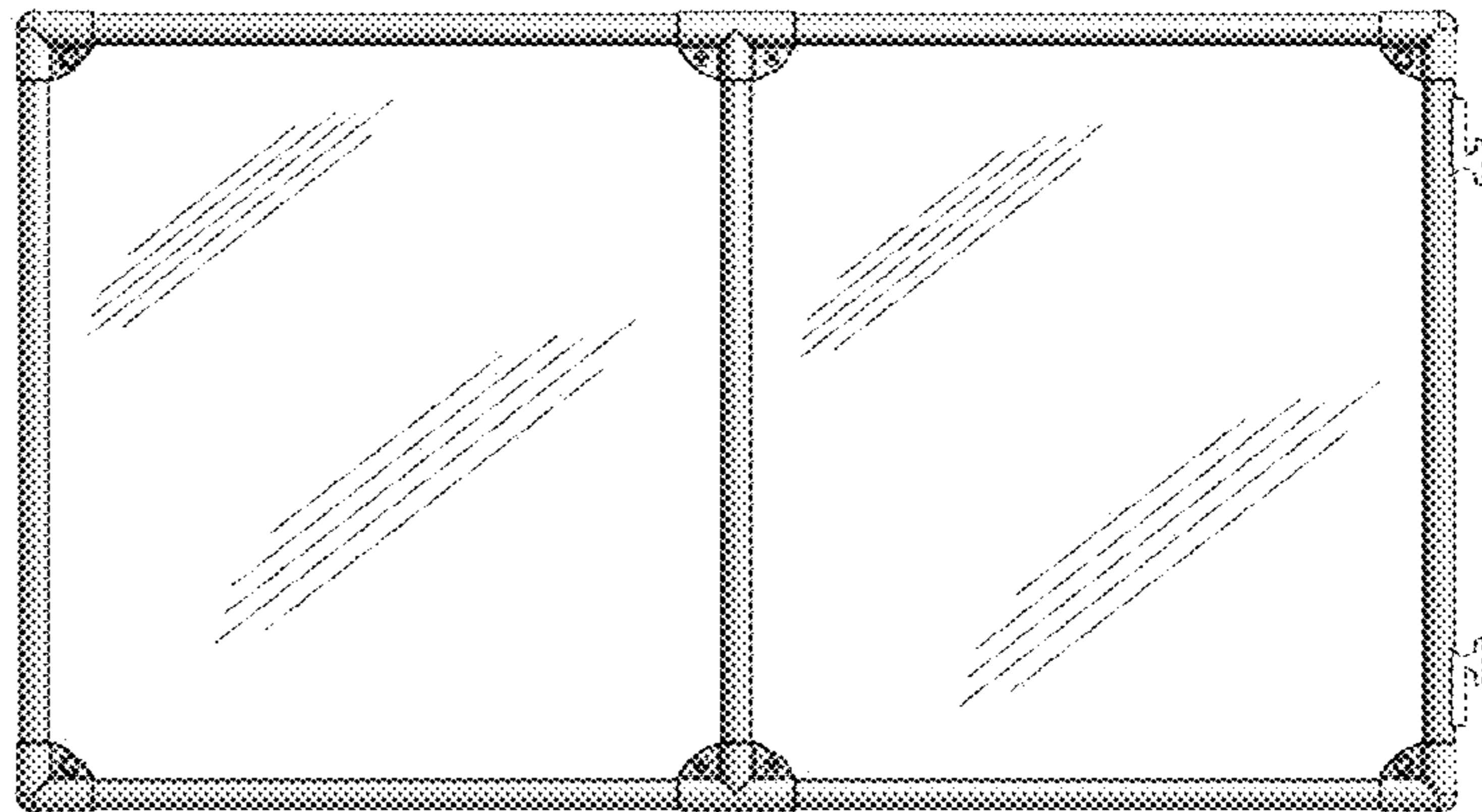


FIG. 4

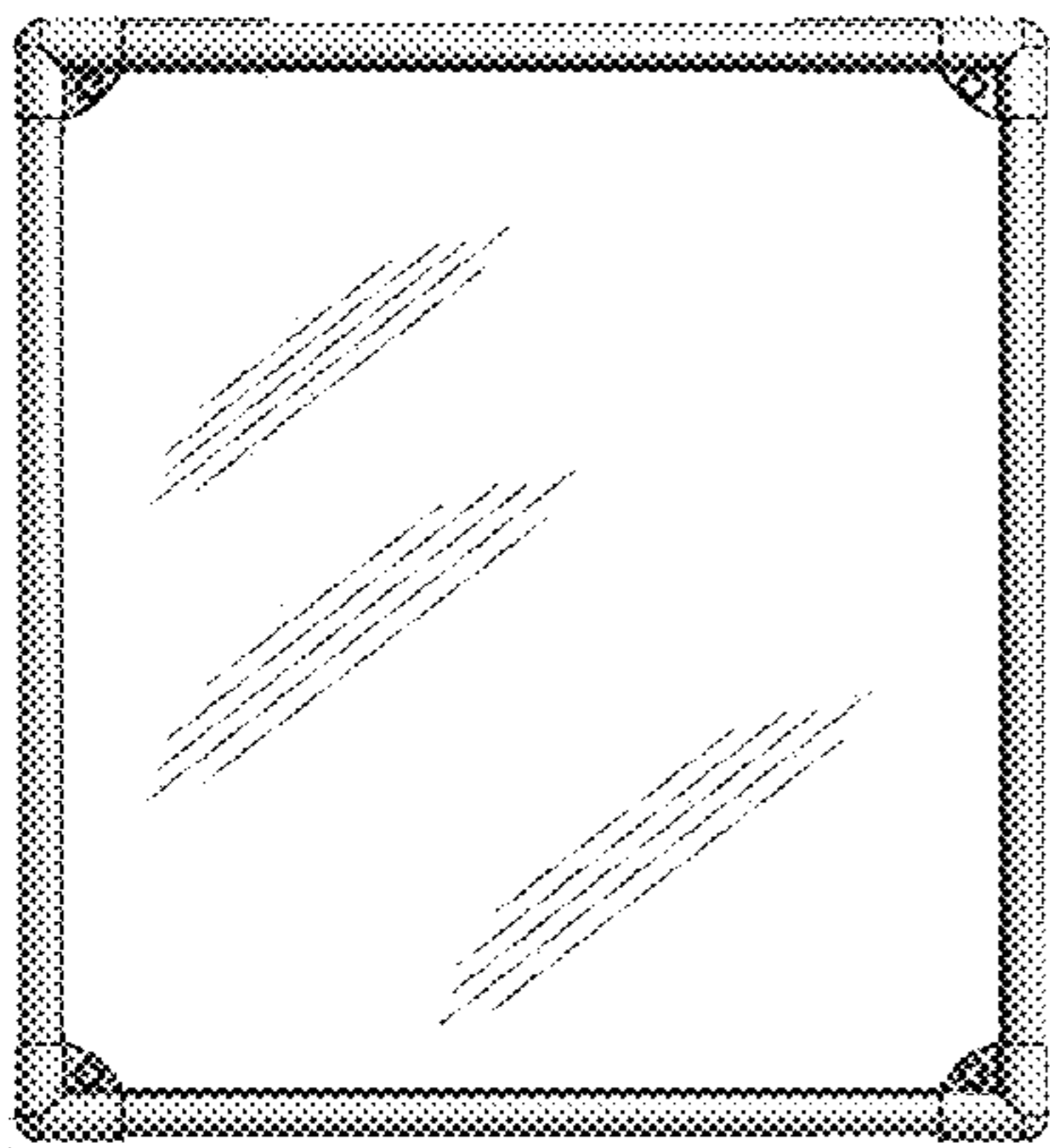


FIG. 3

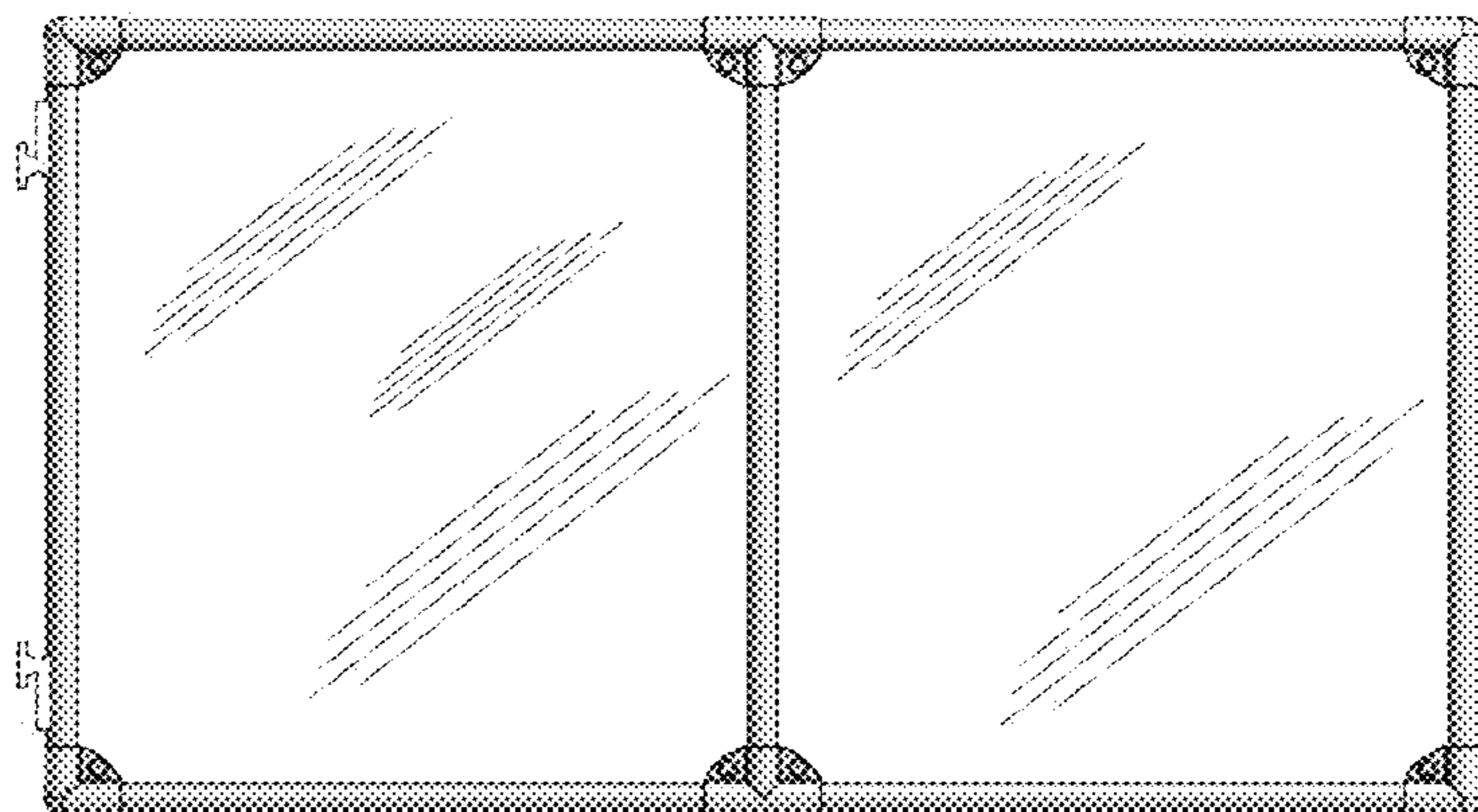


FIG. 5

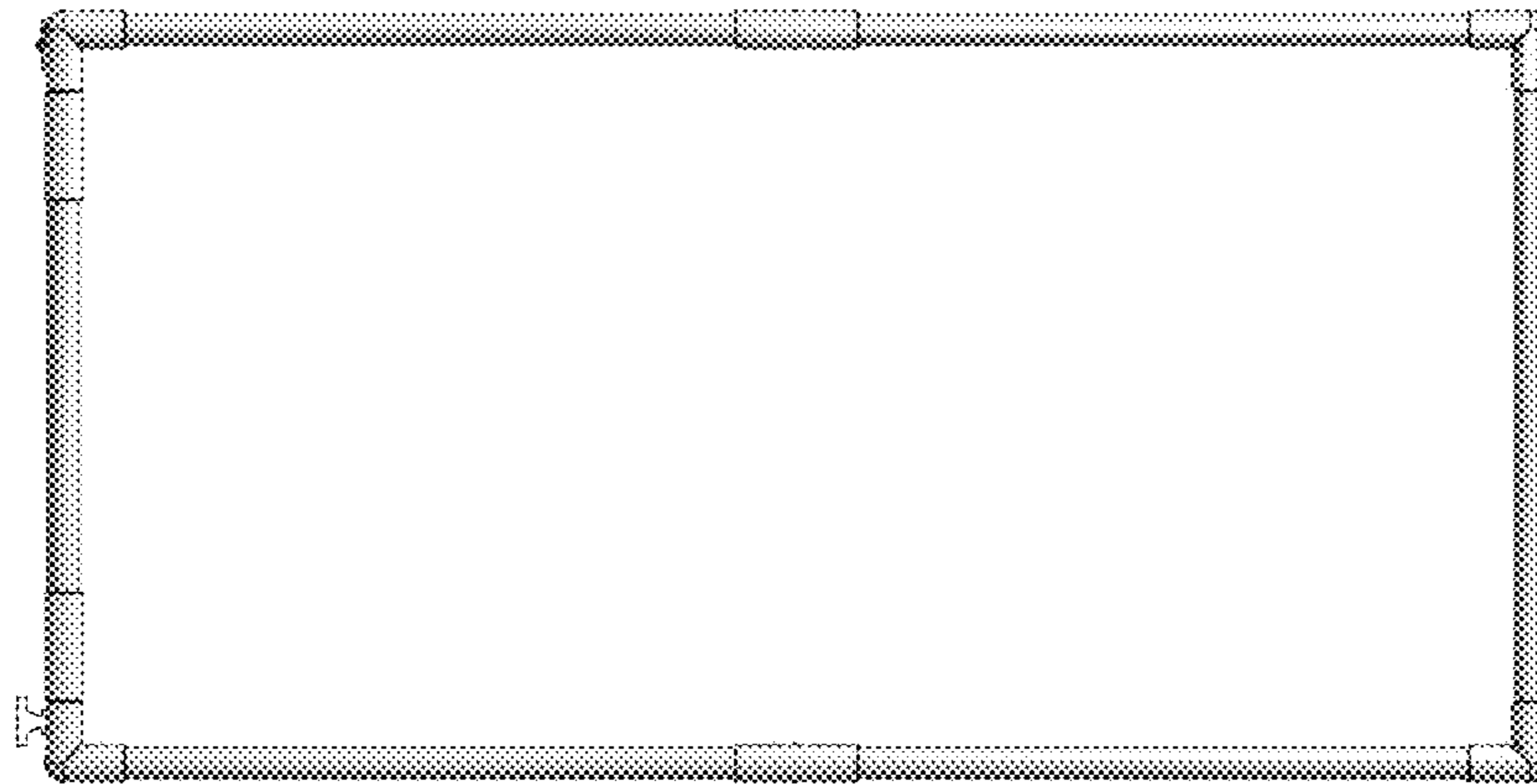


FIG. 6

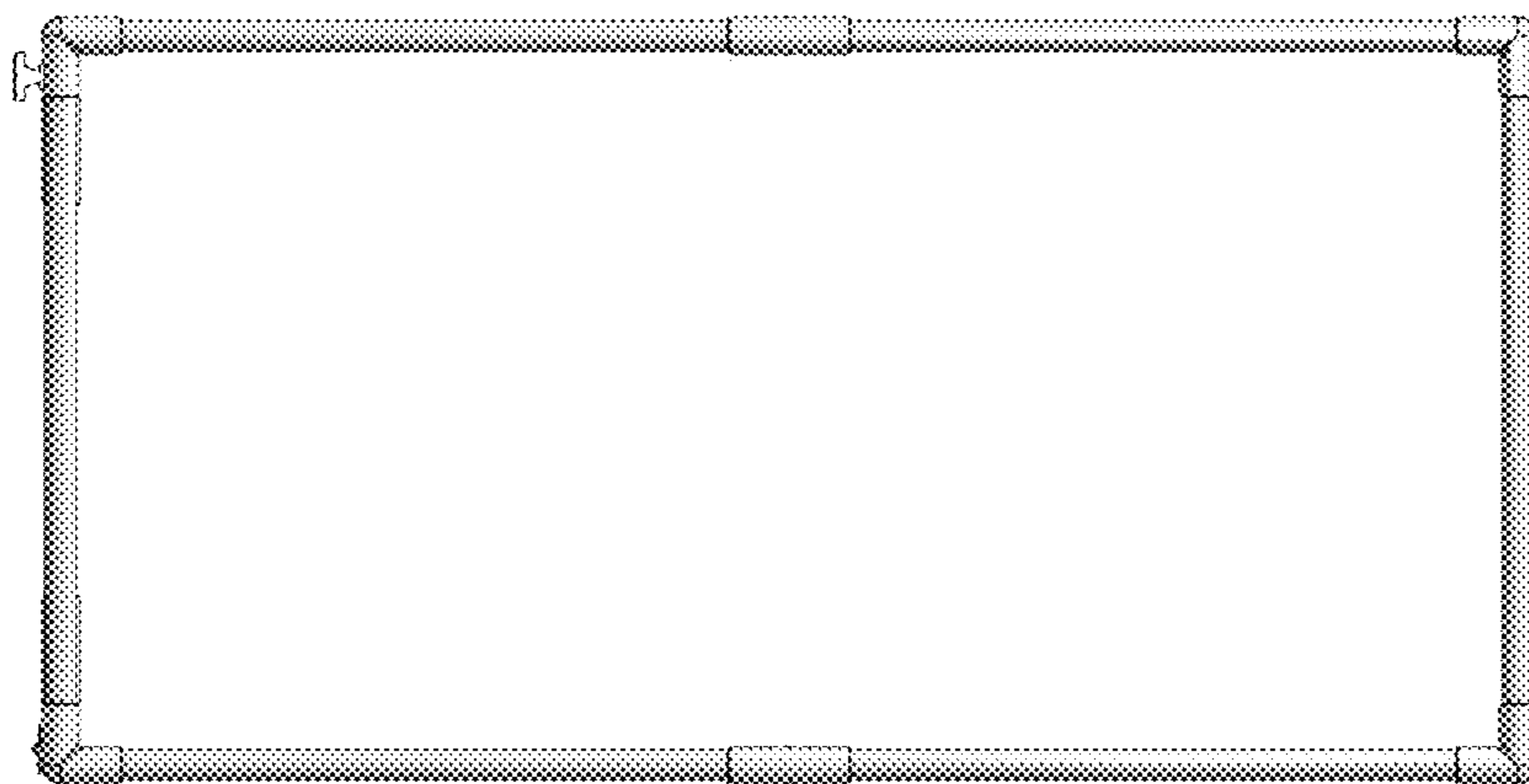


FIG. 7

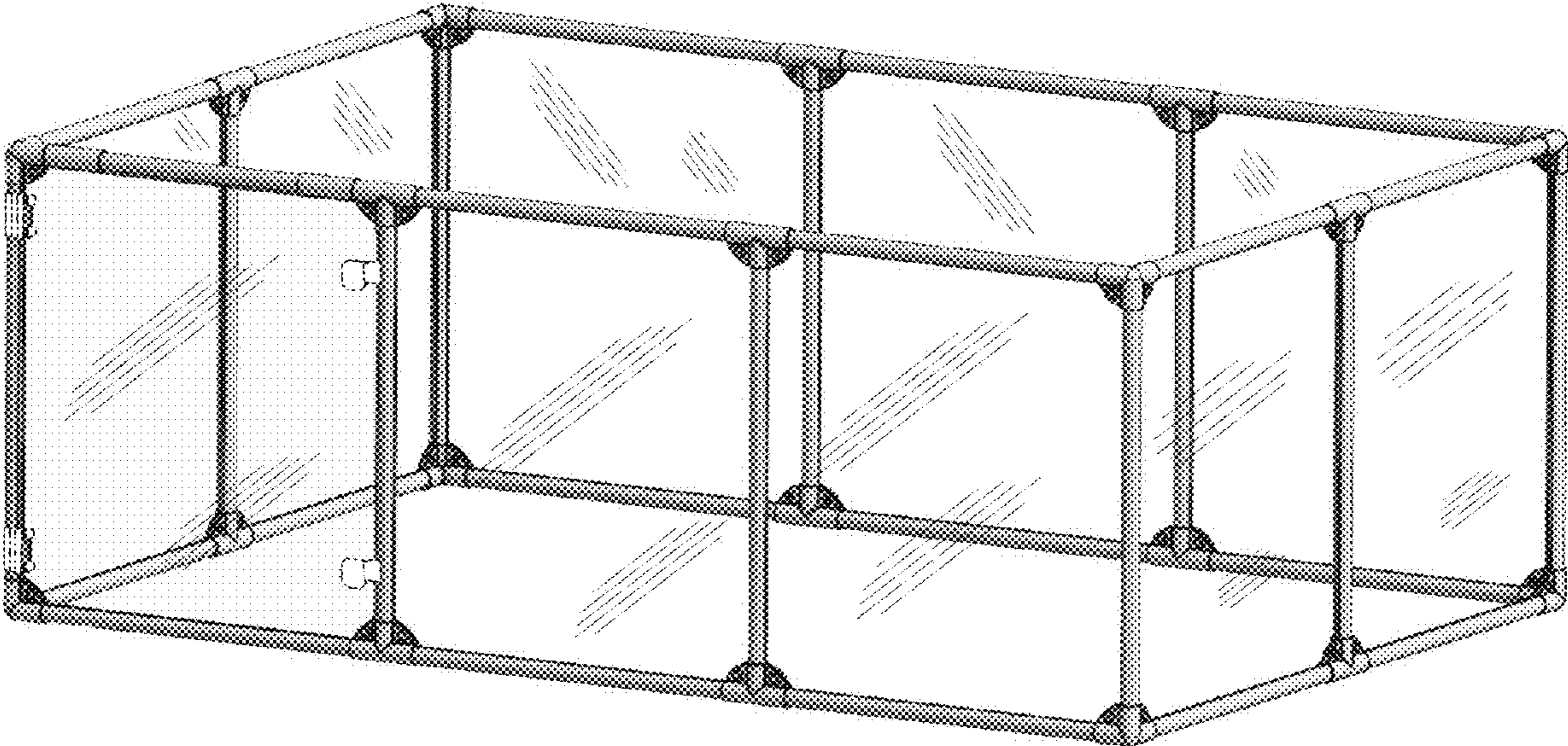


FIG. 8

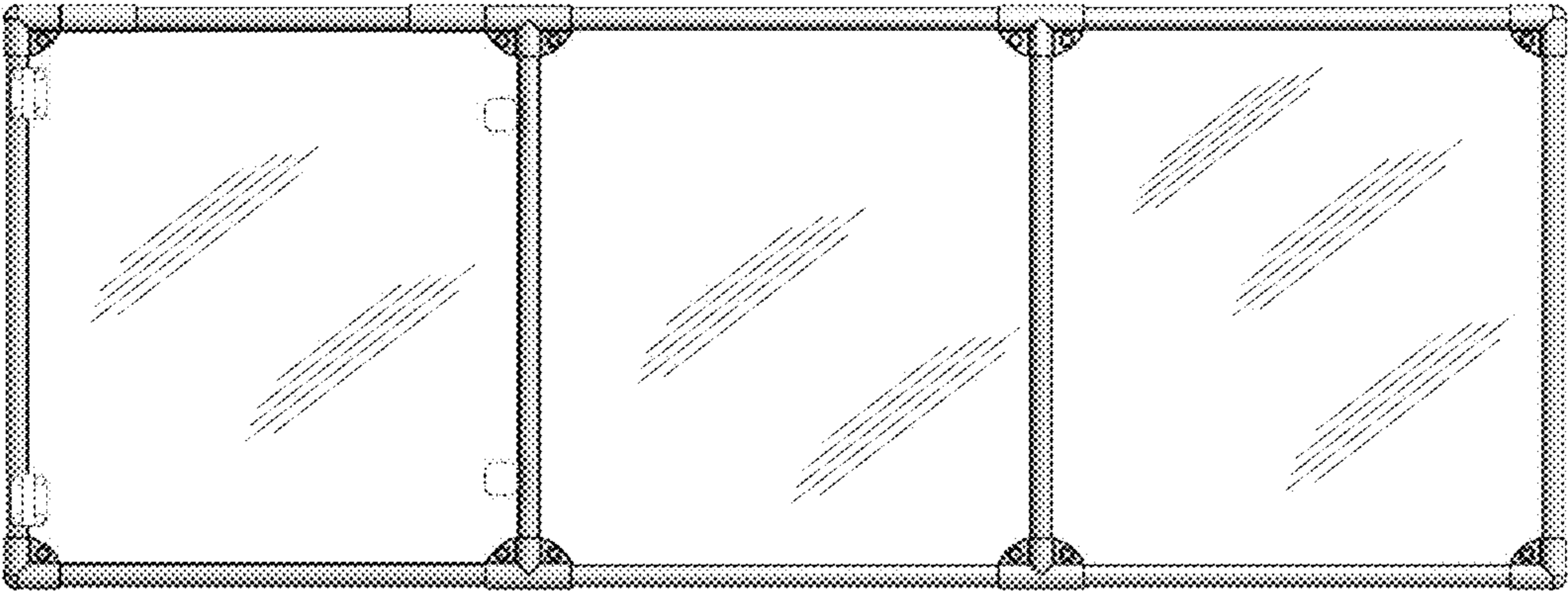


FIG. 9

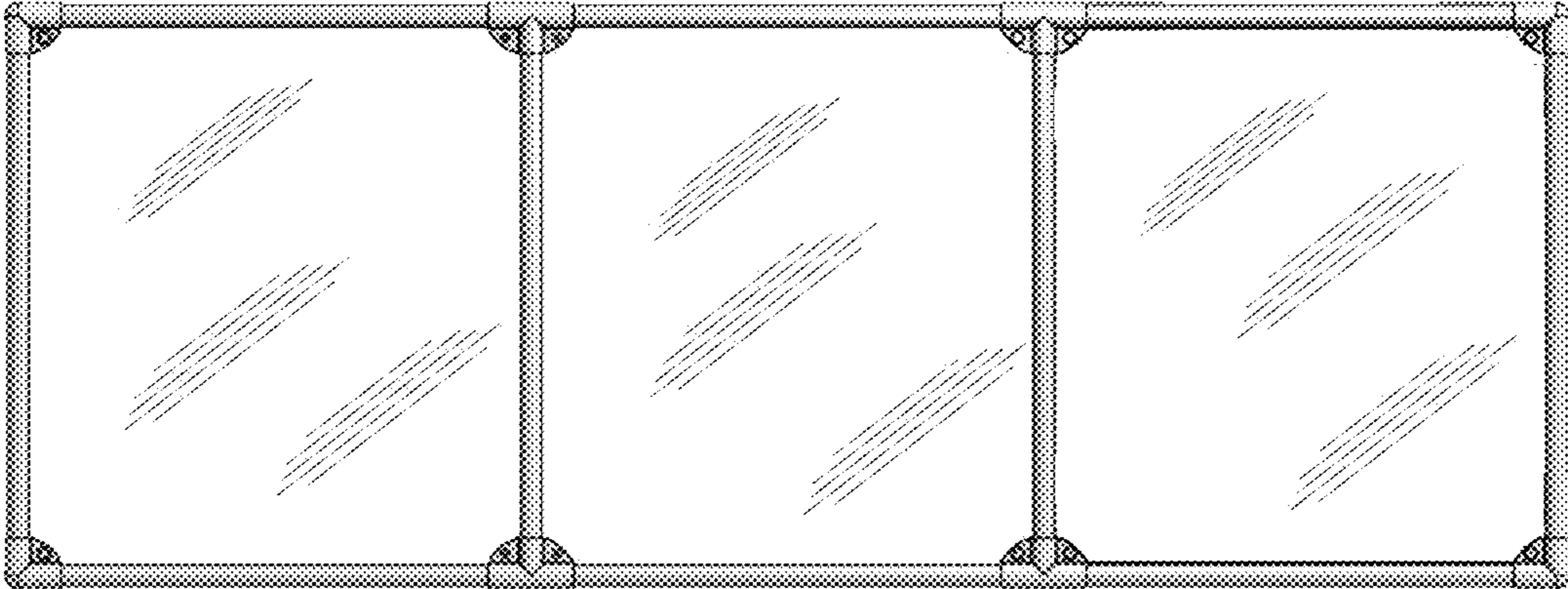


FIG. 10

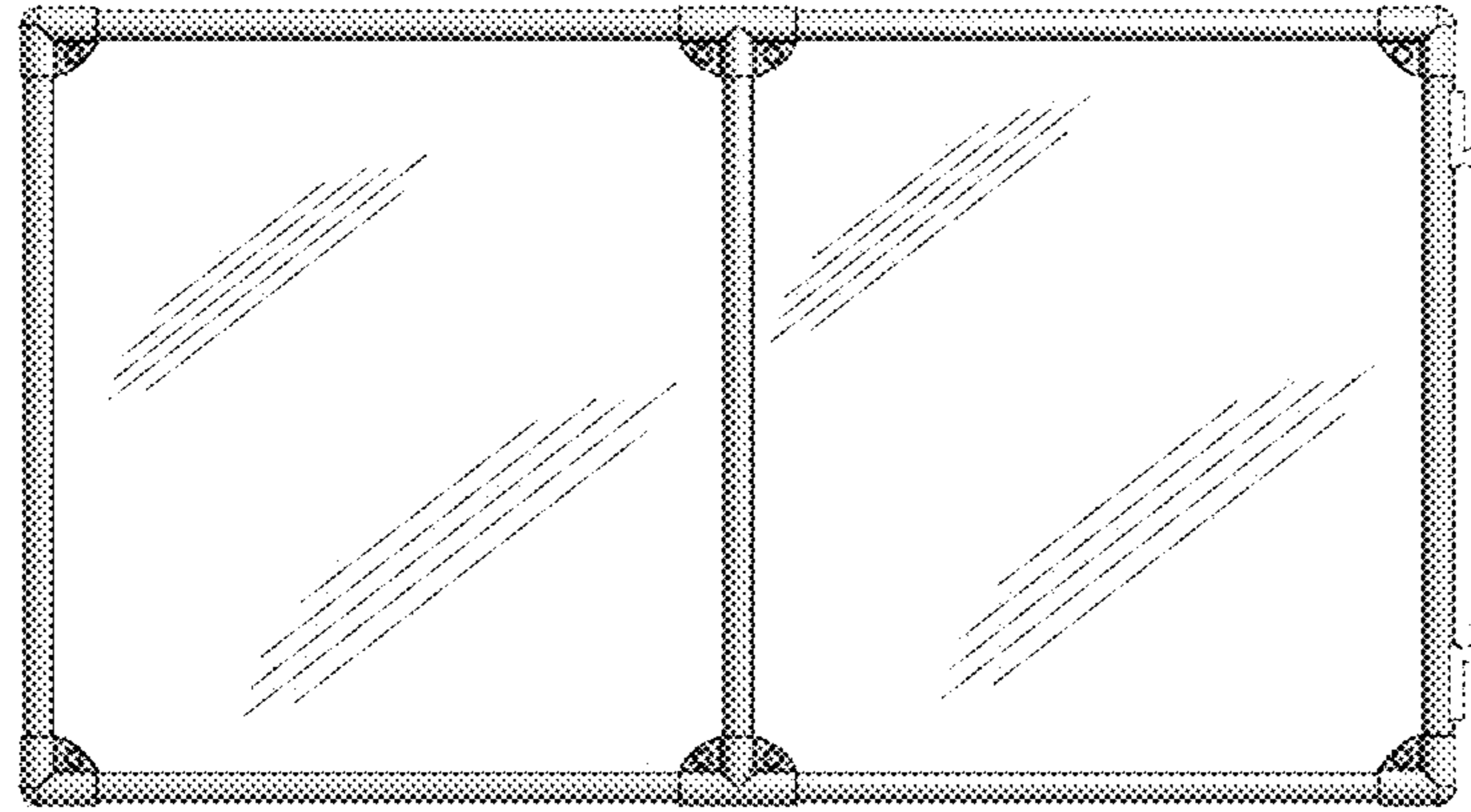


FIG. 11

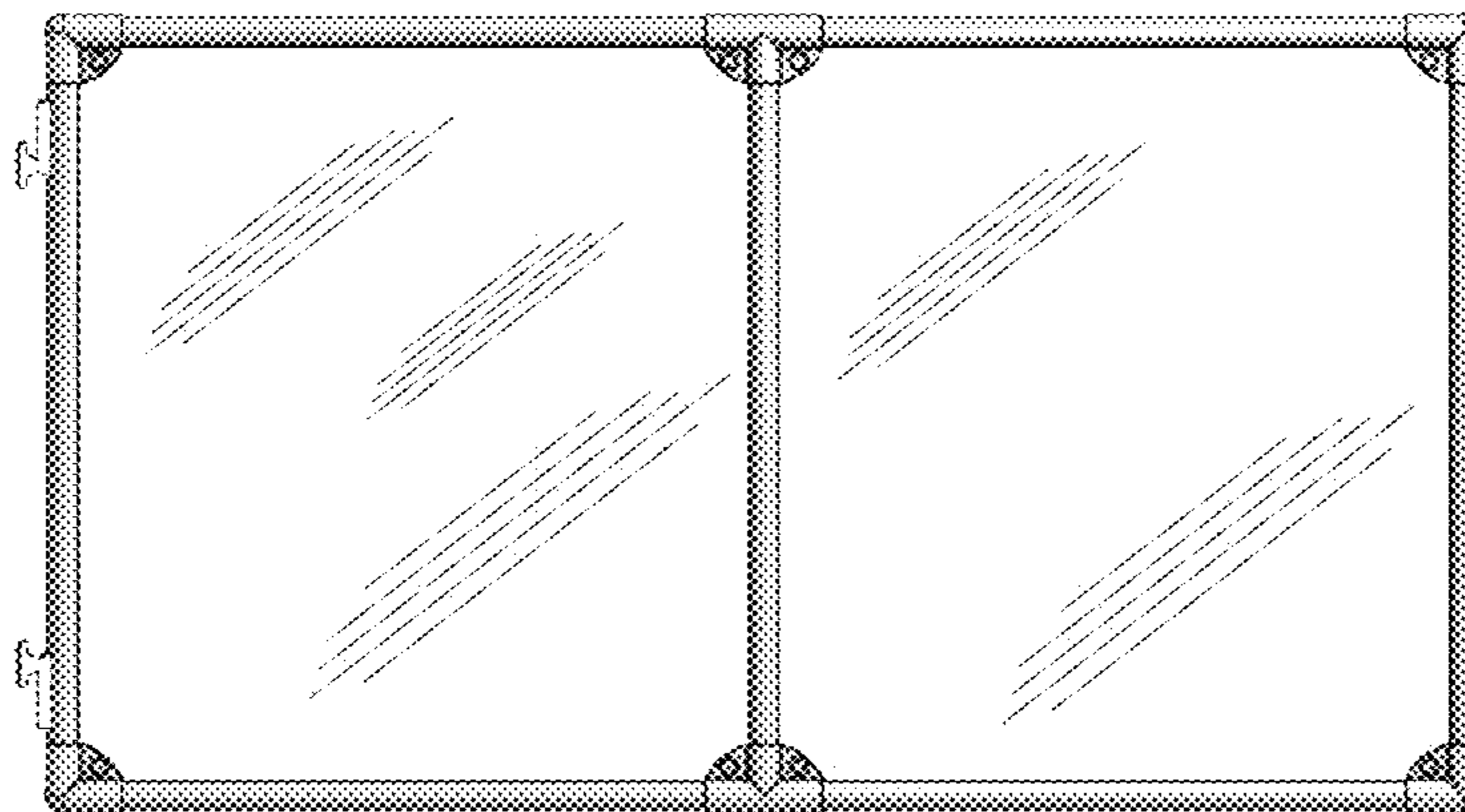


FIG. 12

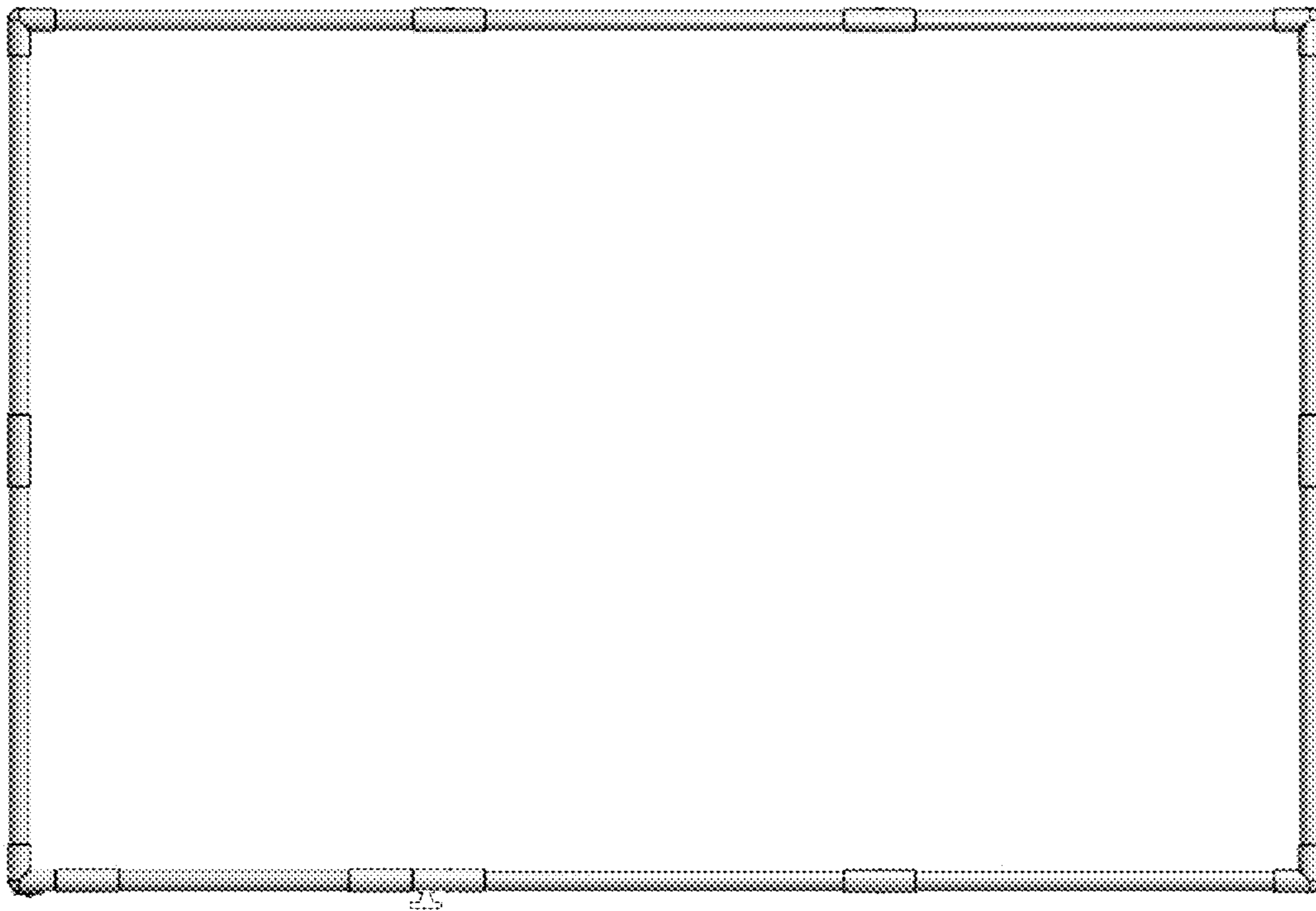


FIG. 13

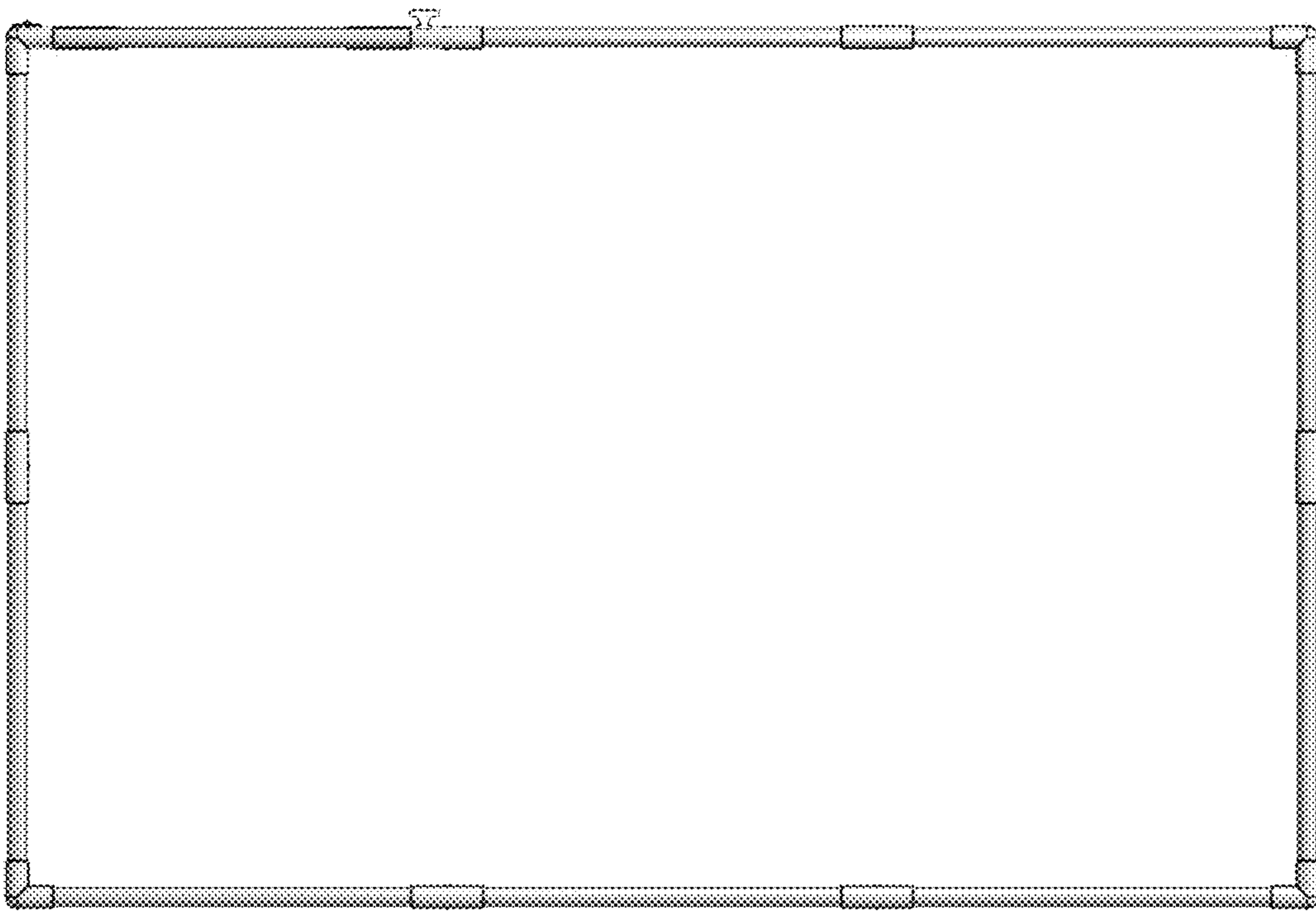


FIG. 14