



US00D930275S

(12) **United States Design Patent** (10) **Patent No.:** **US D930,275 S**  
**Xu** (45) **Date of Patent:** **\*\* Sep. 7, 2021**

(54) **DOG CUSHION**  
(71) Applicant: **Lixian Xu**, Xiangxiang (CN)  
(72) Inventor: **Lixian Xu**, Xiangxiang (CN)  
(\*\*) Term: **15 Years**  
(21) Appl. No.: **29/753,187**  
(22) Filed: **Sep. 30, 2020**  
(51) **LOC (13) Cl.** ..... **30-06**  
(52) **U.S. Cl.**  
USPC ..... **D30/118**  
(58) **Field of Classification Search**  
USPC ..... D30/118–121, 158, 160–161;  
D3/900–905; D6/582–583, 595–606;  
D14/250–253; D21/398, 521  
CPC .... A01K 1/0272; A01K 1/0353; A01K 1/035;  
A01K 1/0281; A01K 1/015; A01K 1/00;  
A47G 9/06; A47C 27/06  
See application file for complete search history.

D747,899 S \* 1/2016 Klein ..... D6/601  
D751,322 S \* 3/2016 Reynolds ..... D6/601  
D759,904 S \* 6/2016 Cantwell ..... D30/118  
D765,922 S \* 9/2016 Savan ..... D30/199  
D773,750 S \* 12/2016 Tucker Wilhelm ..... D30/118  
D818,654 S \* 5/2018 Song ..... D30/118  
D826,480 S \* 8/2018 Bohline  
D831,898 S \* 10/2018 Gerke ..... D30/118  
D840,717 S \* 2/2019 Lu ..... D6/582  
D845,674 S \* 4/2019 Hariri ..... D6/601  
D862,118 S \* 10/2019 Rogers ..... D6/603  
D875,428 S \* 2/2020 Lin ..... D6/582  
D894,501 S \* 8/2020 Roost et al.  
D895,999 S \* 9/2020 Pfister ..... D6/601  
D896,000 S \* 9/2020 Pfister ..... D6/601  
D896,547 S \* 9/2020 Huang ..... D6/601  
D899,814 S \* 10/2020 Pfister ..... D6/601  
D901,093 S \* 11/2020 Bullock ..... D30/118  
D904,795 S \* 12/2020 Johnson ..... D6/601

\* cited by examiner

Primary Examiner — Aula Soroush

(57) **CLAIM**

The ornamental design for a dog cushion, as shown and described.

**DESCRIPTION**

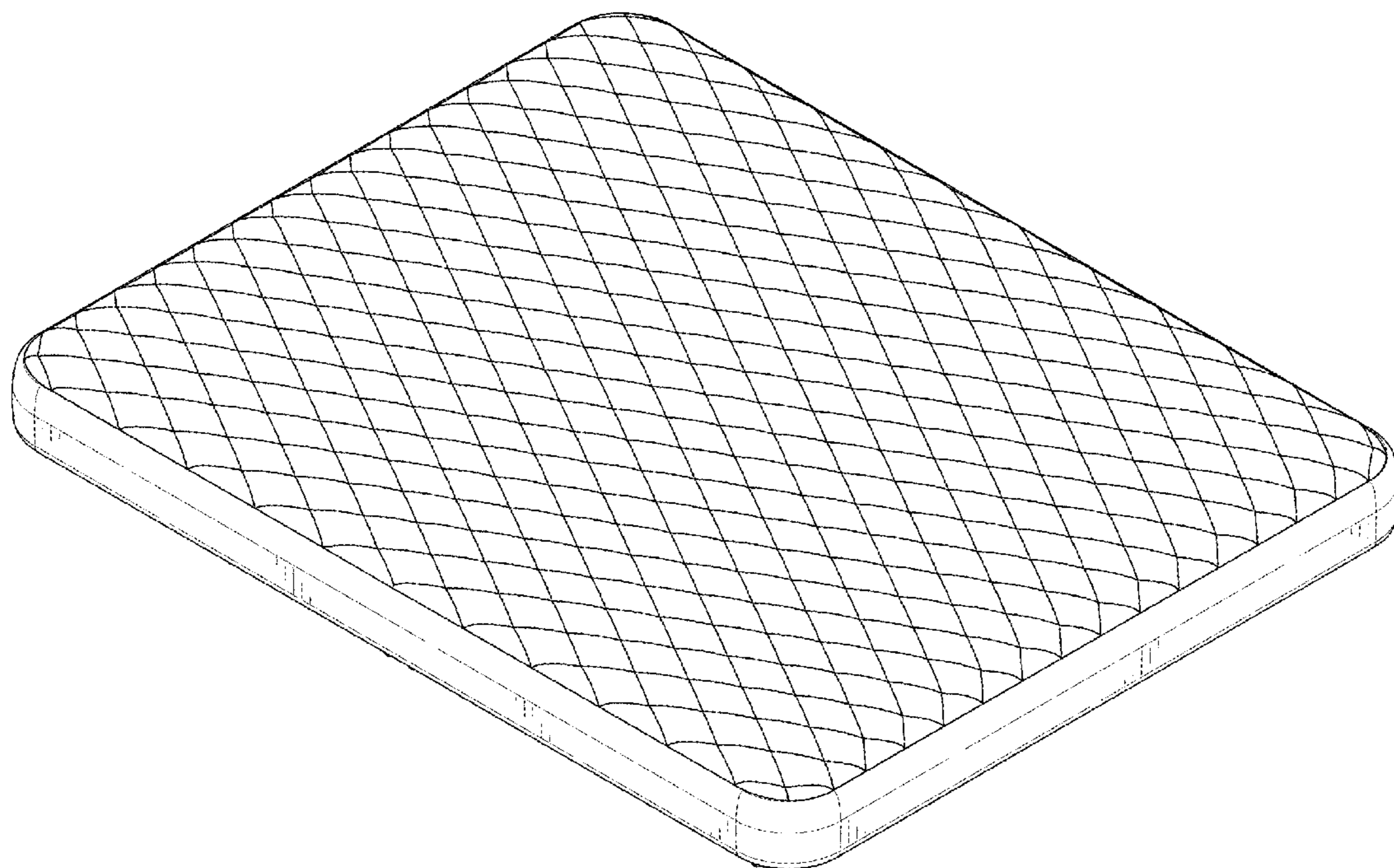
FIG. 1 is a first perspective view of a dog cushion showing my new design;  
FIG. 2 is a second perspective view thereof;  
FIG. 3 is a front elevation view thereof;  
FIG. 4 is a rear elevation view thereof;  
FIG. 5 is a left side elevation view thereof;  
FIG. 6 is a right side elevation view thereof;  
FIG. 7 is a top plan view thereof; and,  
FIG. 8 is a bottom plan view thereof.

**1 Claim, 8 Drawing Sheets**

(56) **References Cited**

**U.S. PATENT DOCUMENTS**

6,196,156 B1 \* 3/2001 Denesuk ..... A01K 1/0152  
119/28.5  
D469,585 S \* 1/2003 LaCroix ..... D30/118  
D584,012 S \* 12/2008 Abernathy ..... D30/118  
D589,655 S \* 3/2009 West ..... D30/118  
D615,337 S \* 5/2010 Sultan  
D638,173 S \* 5/2011 Elmburg ..... D30/118  
D640,016 S \* 6/2011 Song ..... D30/118  
D641,936 S \* 7/2011 Simpson ..... D30/118  
D661,844 S \* 6/2012 Song ..... D30/118  
D663,903 S \* 7/2012 Wygle ..... D30/118  
D709,715 S \* 7/2014 Gatto ..... D6/606



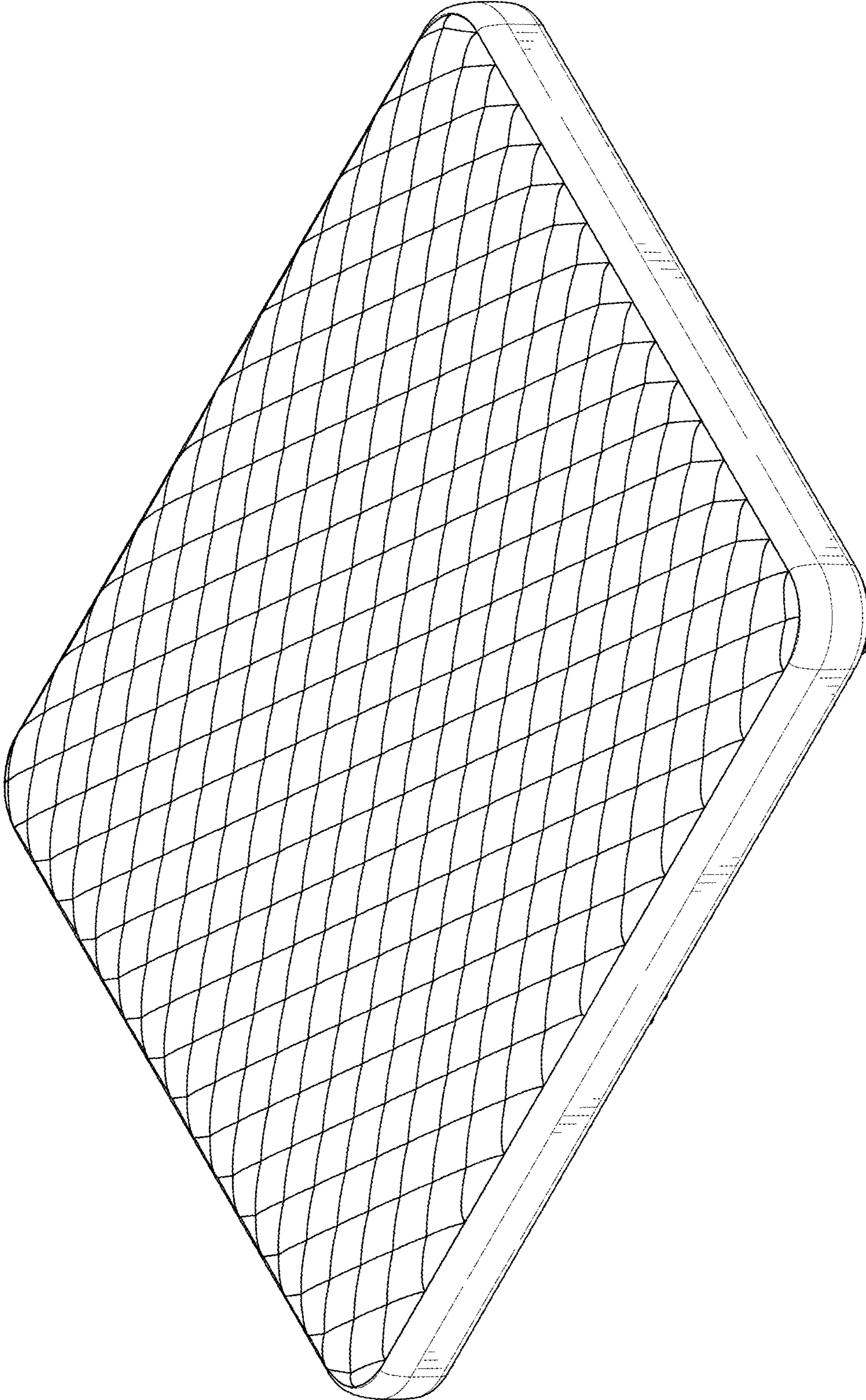


FIG. 1

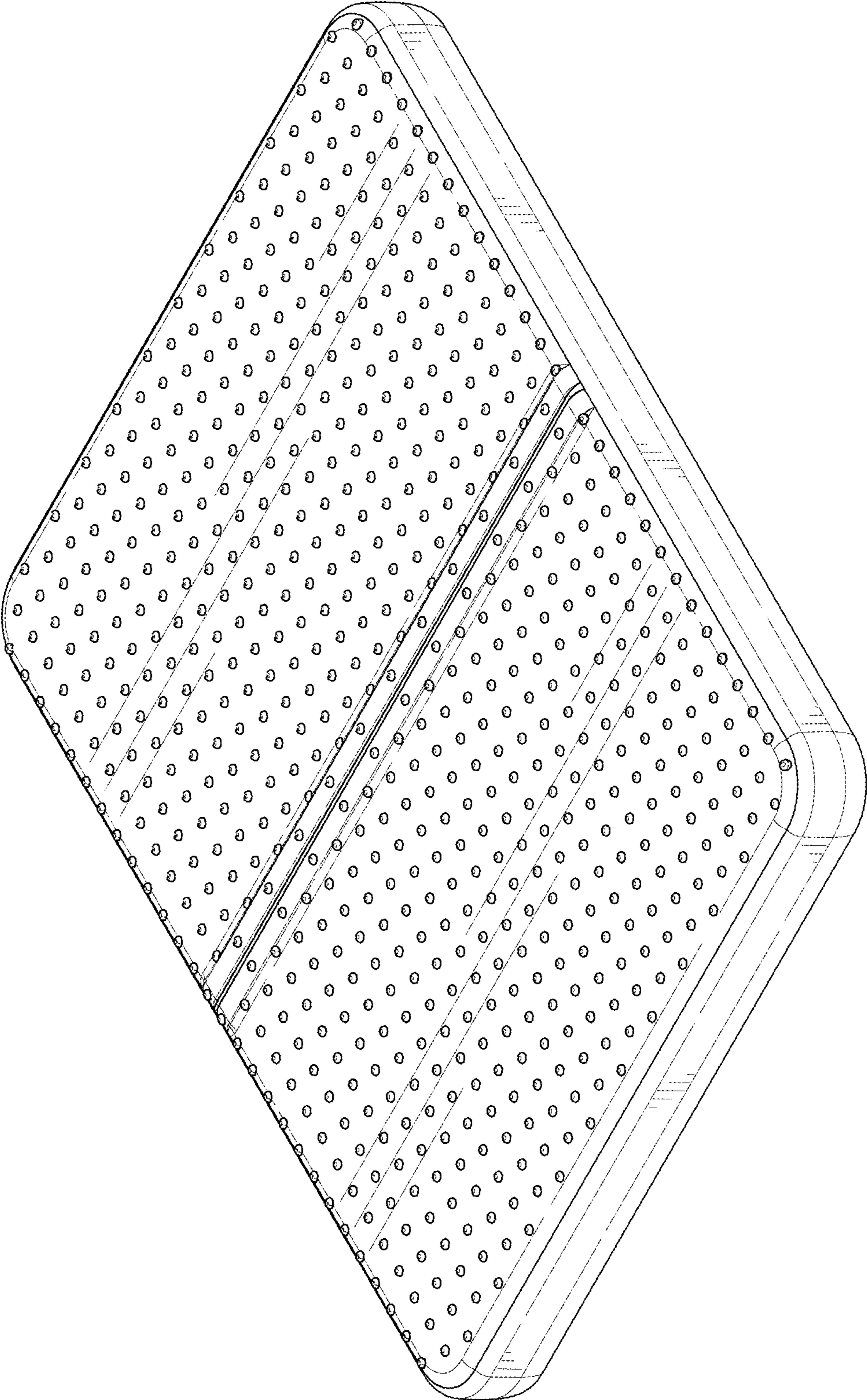


FIG. 2

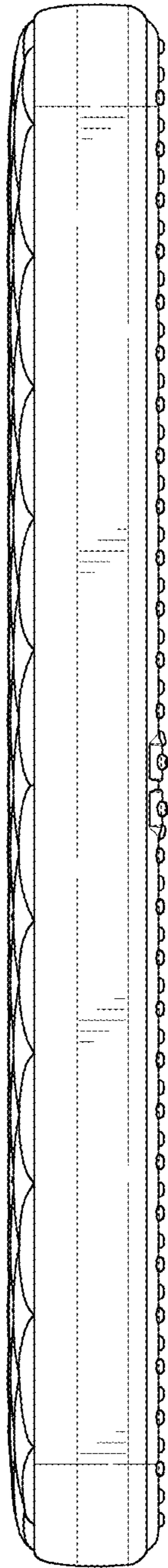


FIG. 3

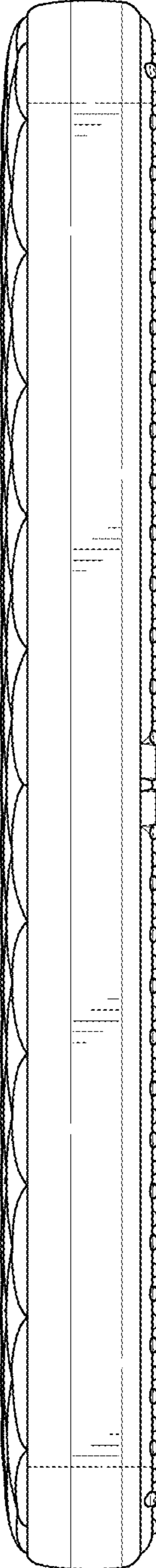


FIG. 4

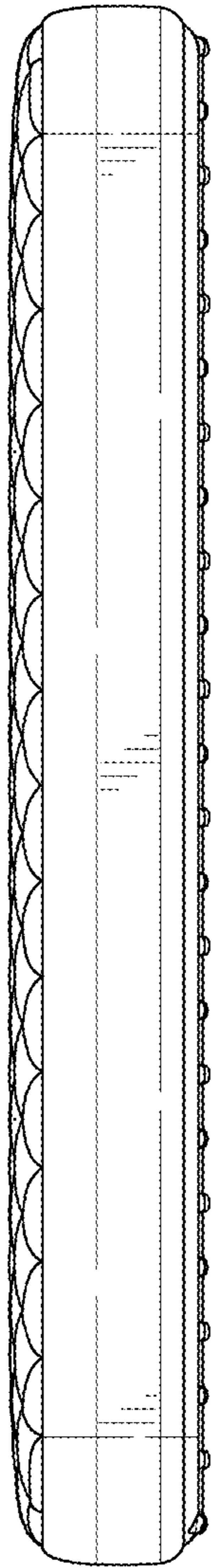


FIG. 5

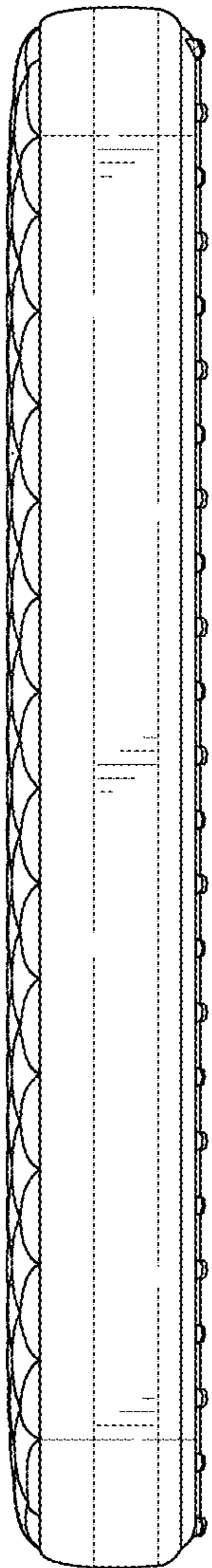


FIG. 6

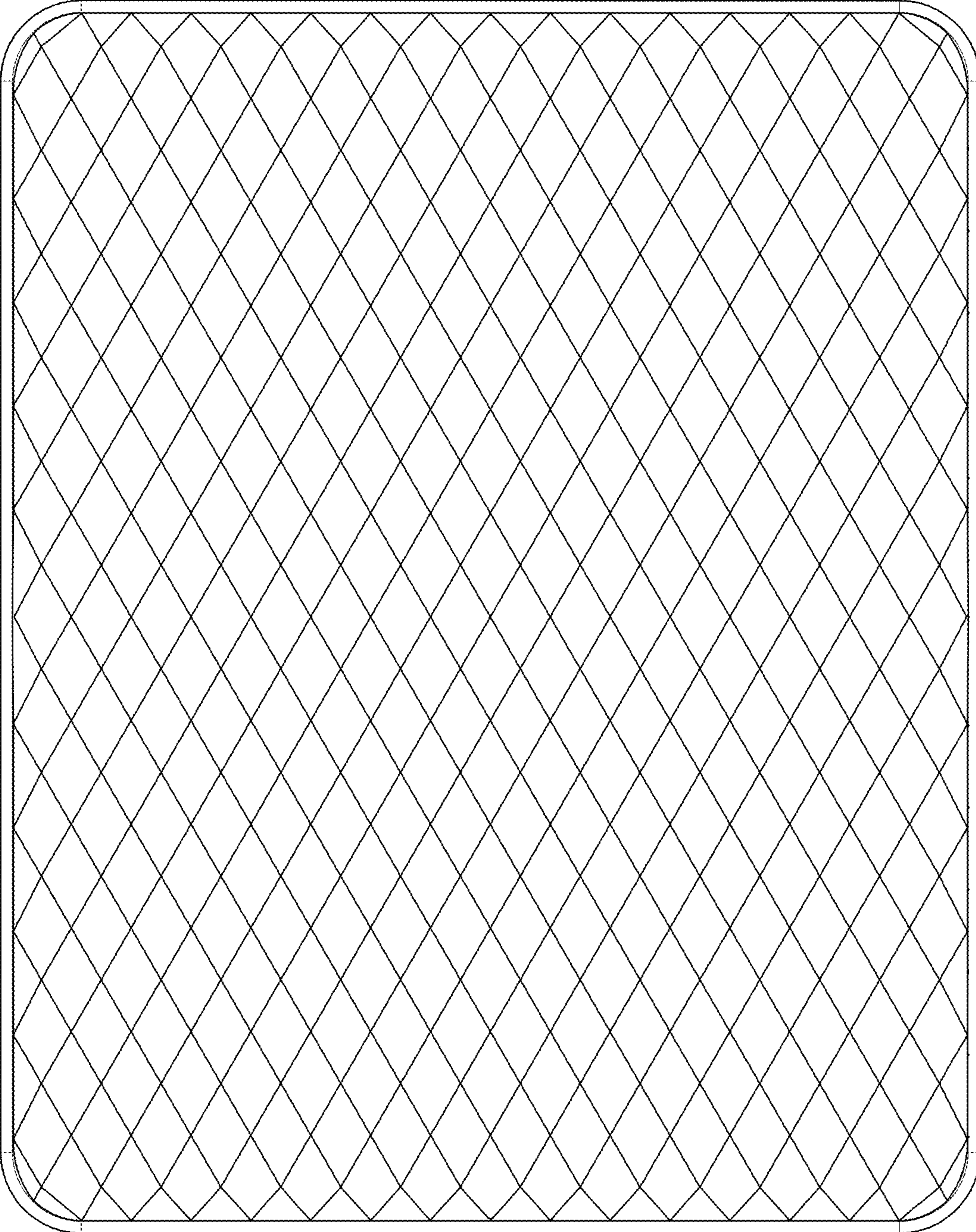


FIG. 7



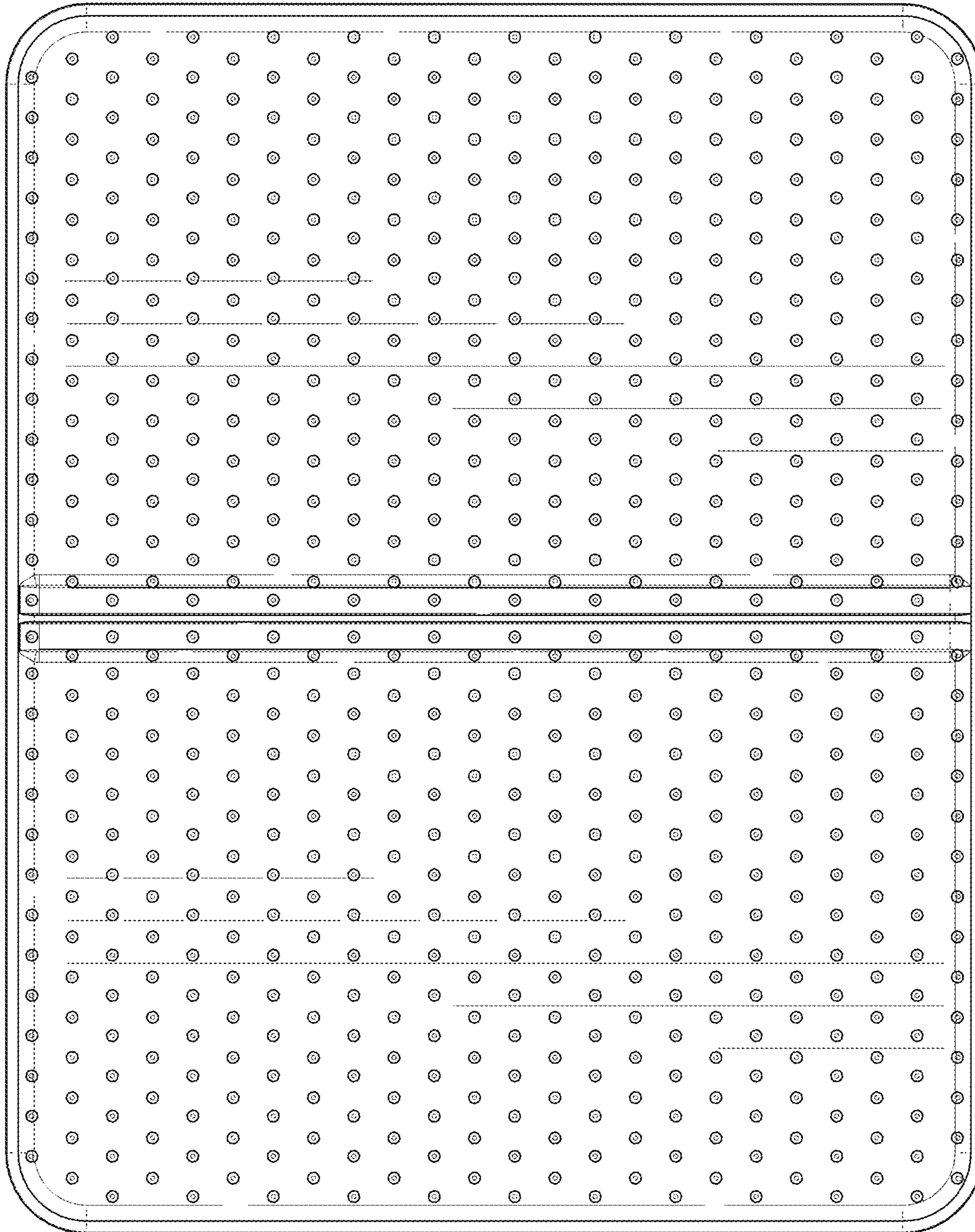


FIG. 8