



US00D930273S

(12) **United States Design Patent** (10) **Patent No.:** **US D930,273 S**
Xu (45) **Date of Patent:** **** Sep. 7, 2021**

(54) **DOG CUSHION**
(71) Applicant: **Lixian Xu**, Xiangxiang (CN)
(72) Inventor: **Lixian Xu**, Xiangxiang (CN)
(**) Term: **15 Years**
(21) Appl. No.: **29/753,181**
(22) Filed: **Sep. 30, 2020**
(51) **LOC (13) Cl.** **30-06**
(52) **U.S. Cl.**
USPC **D30/118**
(58) **Field of Classification Search**
USPC D30/118–121, 158, 160–161;
D3/900–905; D6/582–583, 595–606;
D14/250–253; D21/398, 521
CPC A01K 1/0272; A01K 1/0353; A01K 1/035;
A01K 1/0281; A01K 1/015; A01K 1/00;
A47G 9/06; A47C 27/06
See application file for complete search history.

D663,903 S * 7/2012 Wygle D30/118
D672,186 S * 12/2012 Alletto, Jr. D6/606
D677,506 S * 3/2013 Lai D6/601
D747,899 S * 1/2016 Klein D6/601
D749,875 S * 2/2016 Sullivan D6/604
D759,904 S * 6/2016 Cantwell D30/118
D773,750 S * 12/2016 Tucker Wilhelm D30/118
D818,654 S * 5/2018 Song D30/118
D822,910 S * 7/2018 Pelz D30/118
D826,480 S 8/2018 Bohline
D831,898 S * 10/2018 Gerke D30/118
D845,674 S * 4/2019 Hariri D6/601
D875,429 S * 2/2020 Theodossiou D6/601
D894,501 S 8/2020 Roost et al.
D898,432 S * 10/2020 Thompson D6/601
D899,150 S * 10/2020 Cheng D6/605
D904,076 S * 12/2020 Oh D6/601
D904,795 S * 12/2020 Johnson D6/601
D906,730 S * 1/2021 Miller D6/601

* cited by examiner

Primary Examiner — Aula Soroush

(57) **CLAIM**

The ornamental design for a dog cushion, as shown and described.

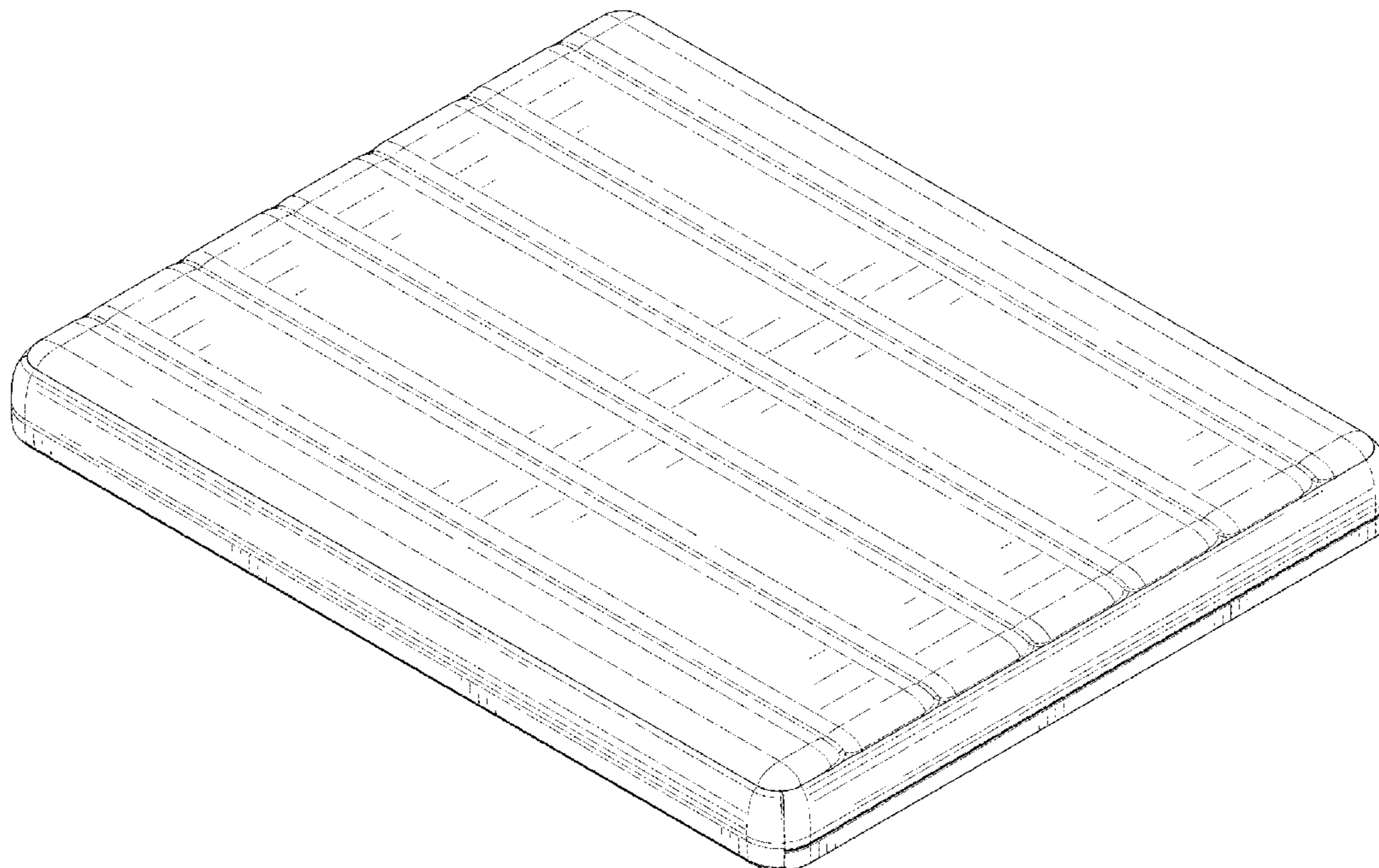
DESCRIPTION

FIG. 1 is a first perspective view of a dog cushion showing my new design;
FIG. 2 is a second perspective view thereof;
FIG. 3 is a front elevation view thereof;
FIG. 4 is a rear elevation view thereof;
FIG. 5 is a left side elevation view thereof;
FIG. 6 is a right side elevation view thereof;
FIG. 7 is a top plan view thereof;
FIG. 8 is a bottom plan view thereof; and,
FIG. 9 is an enlarged view of the selected portion in FIG. 2.

1 Claim, 9 Drawing Sheets

(56) **References Cited**
U.S. PATENT DOCUMENTS

D389,361 S * 1/1998 Nilsson D6/603
D420,238 S * 2/2000 Jefferson 5/490
6,196,156 B1 * 3/2001 Denesuk A01K 1/0152
119/28.5
D469,585 S * 1/2003 LaCroix D30/118
D584,012 S * 12/2008 Abernathy D30/118
D589,655 S * 3/2009 West D30/118
D591,013 S * 4/2009 Mose D30/118
D615,337 S 5/2010 Sultan
D638,173 S * 5/2011 Elmburg D30/118
D640,016 S * 6/2011 Song D30/118
D641,936 S * 7/2011 Simpson D30/118
D661,844 S * 6/2012 Song D30/118



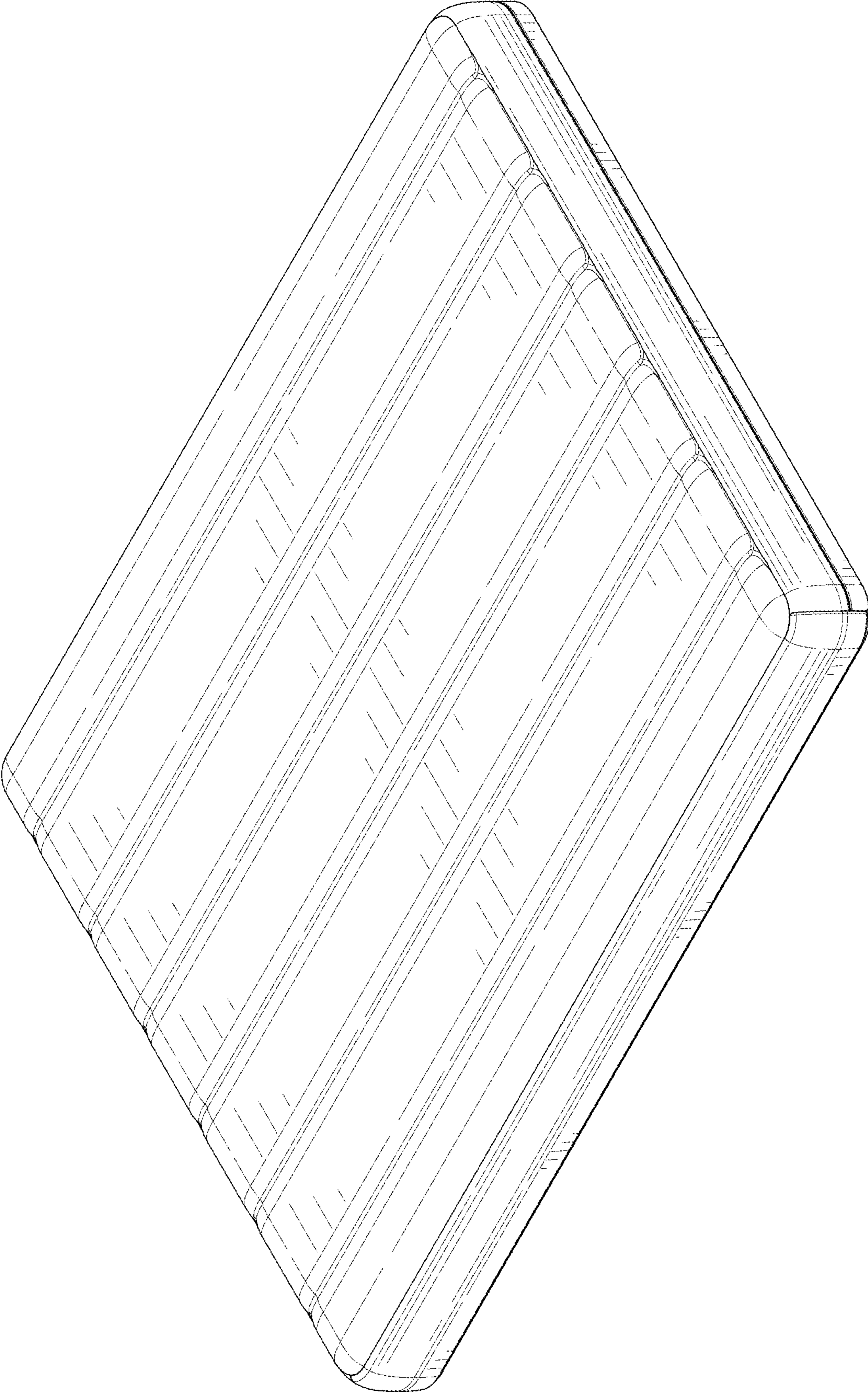


FIG. 1

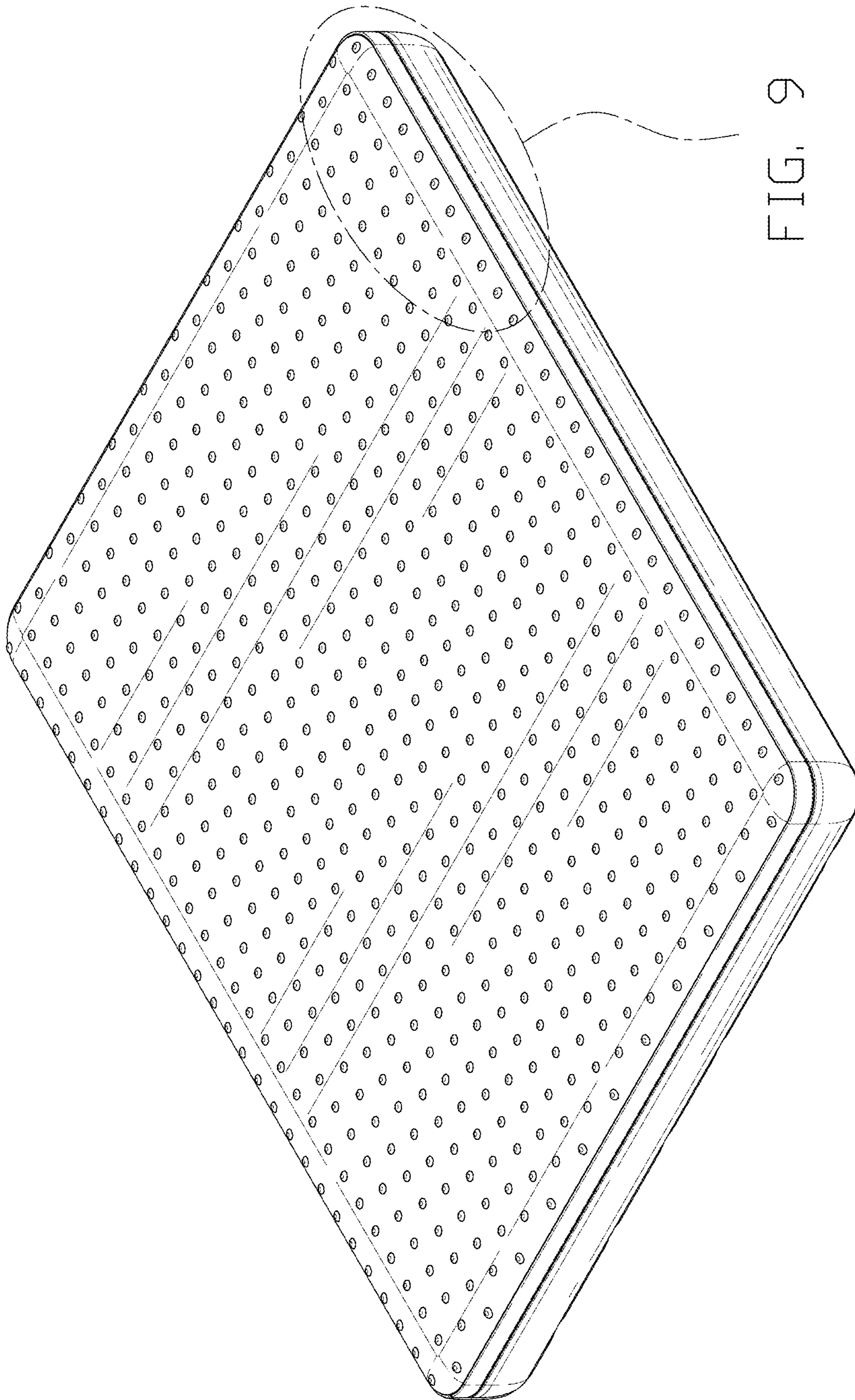


FIG. 9

FIG. 2

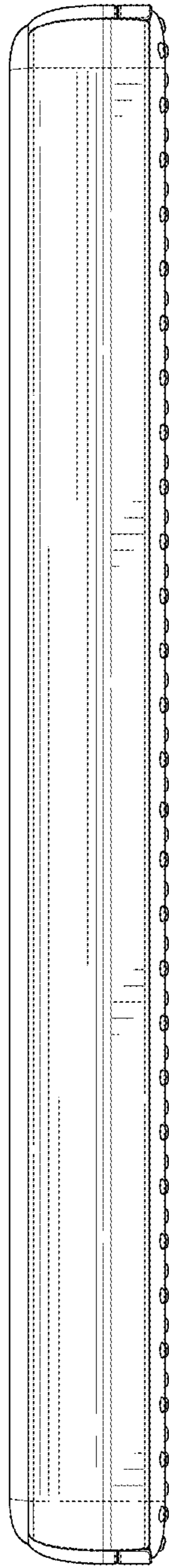


FIG. 3

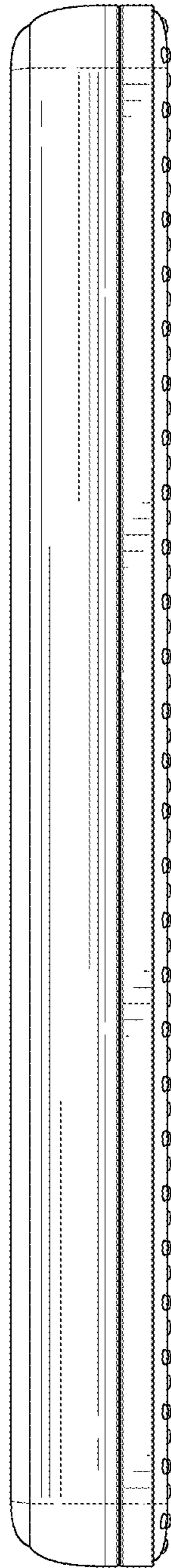


FIG. 4

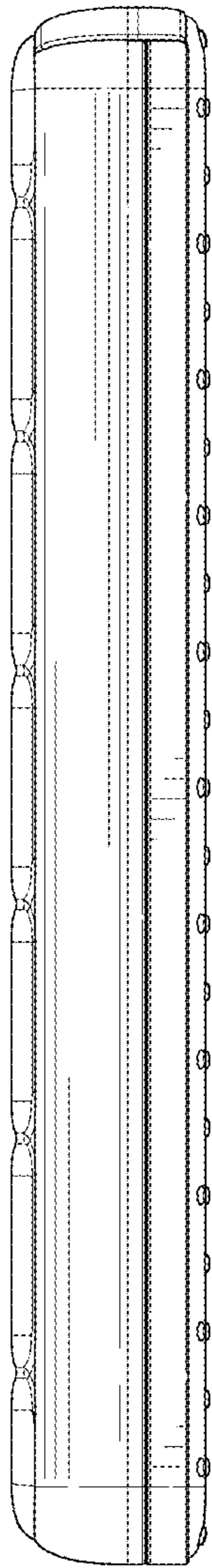


FIG. 5

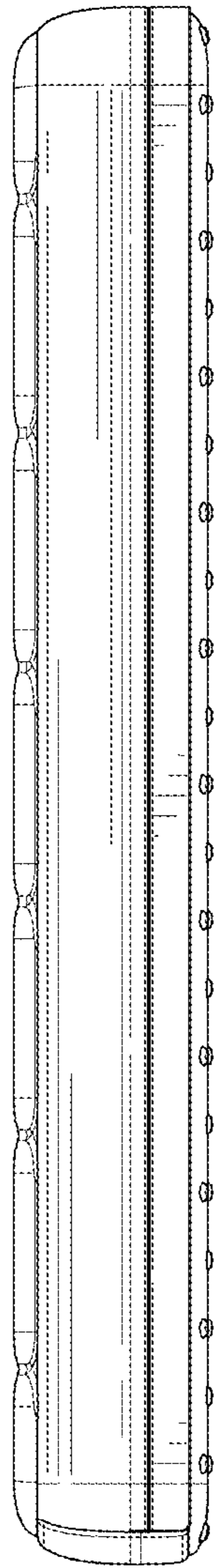


FIG. 6

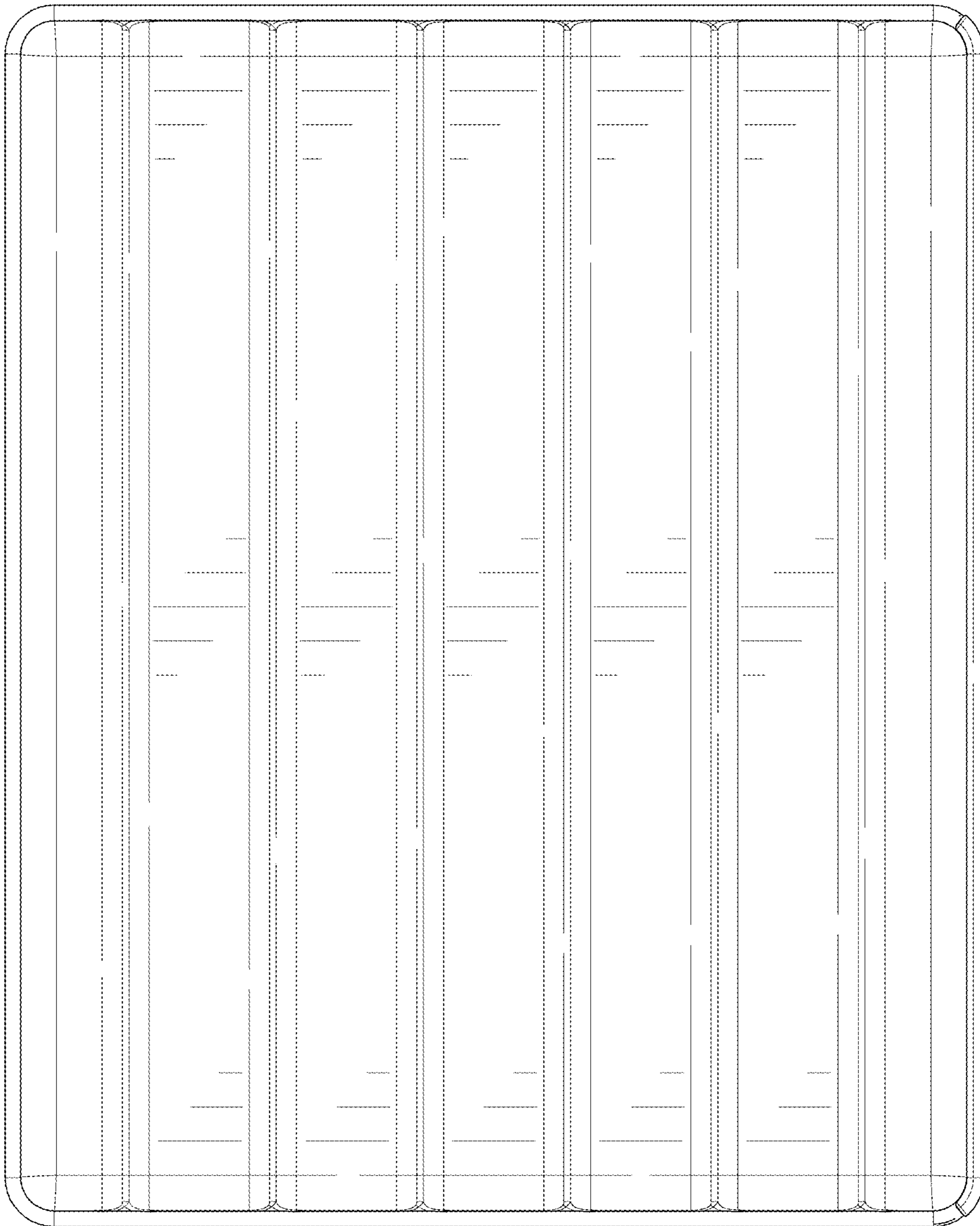


FIG. 7

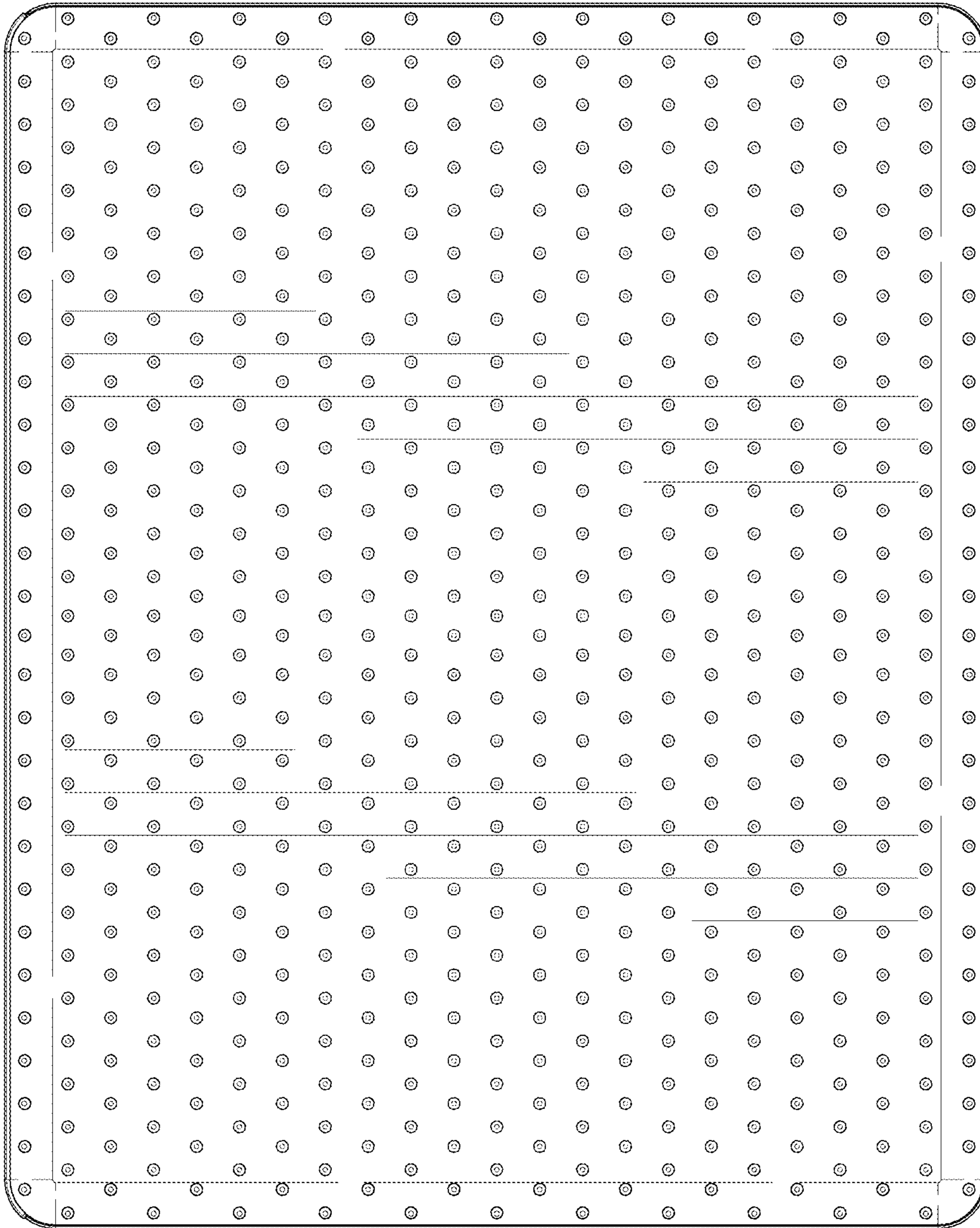


FIG. 8

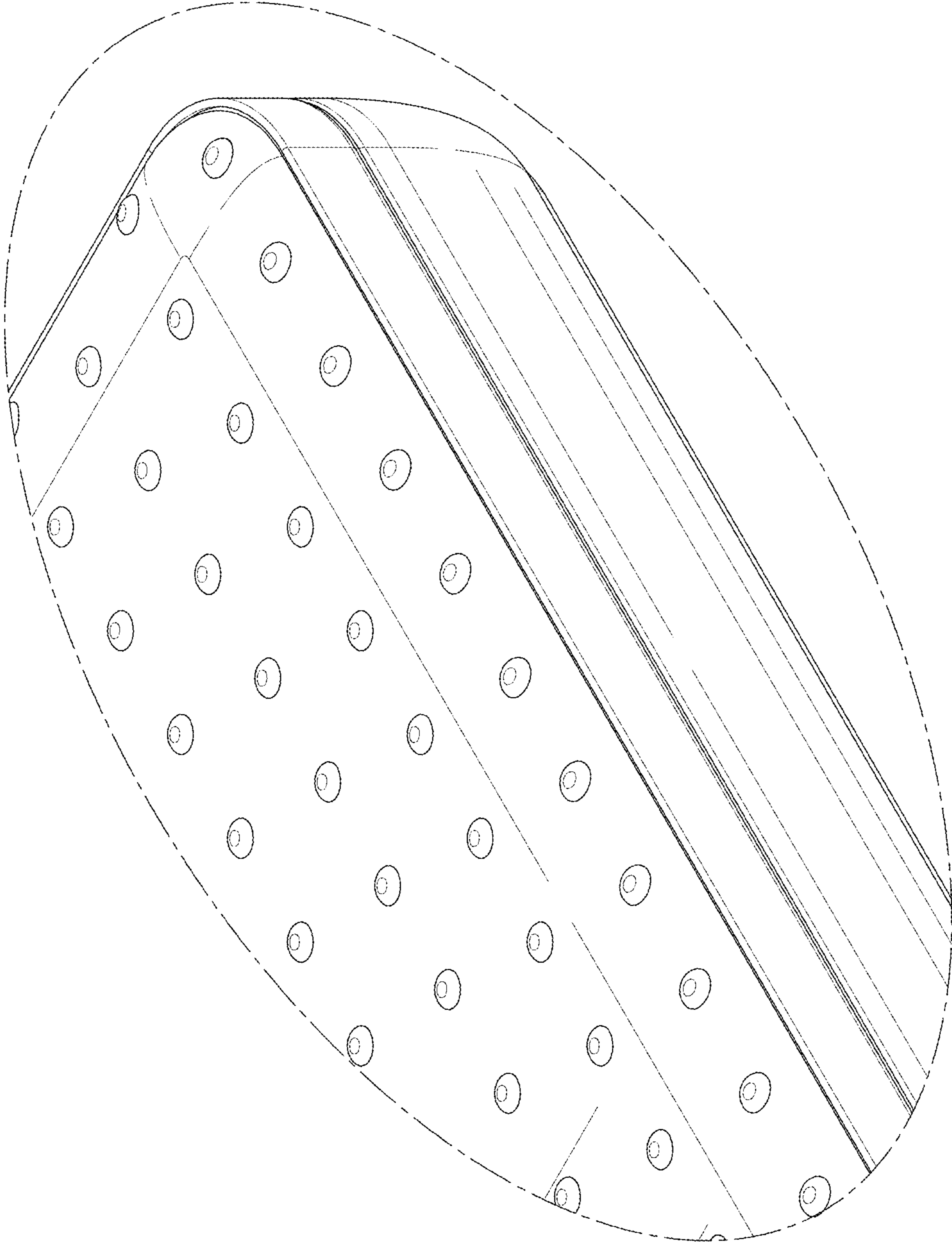


FIG. 9