



US00D930268S

(12) **United States Design Patent** (10) **Patent No.:** **US D930,268 S**
Lee et al. (45) **Date of Patent:** **** Sep. 7, 2021**

(54) **ANIMAL BEDDING**

OTHER PUBLICATIONS

(71) Applicant: **LeapHigh Animals, LLC**, Rancho Cucamonga, CA (US)

Kelli's Crafts & More, <https://www.etsy.com/shop/Kelliscraftsandmore> (dated Jun. 9, 2016 from the wayback machine), Date Accessed: May 11, 2018.

(72) Inventors: **Si Hyung Lee**, Chicago, IL (US); **Sean Sangil Hahn**, Rancho Cucamonga, CA (US)

Cozy and Clean, <https://www.etsy.com/shop/CozyandClean> (dated Aug. 23, 2017 from the wayback machine), Date Accessed: May 11, 2018.

(73) Assignee: **Leaphigh Animals LLC**, Las Vegas, NV (US)

* cited by examiner

(**) Term: **15 Years**

Primary Examiner — Aula Soroush

(21) Appl. No.: **29/638,477**

(74) *Attorney, Agent, or Firm* — Lempia Summerfield Katz LLC

(22) Filed: **Feb. 27, 2018**

(57) **CLAIM**

The ornamental design for an animal bedding, as shown and described.

(51) **LOC (13) Cl.** **30-06**

DESCRIPTION

(52) **U.S. Cl.**
USPC **D30/118**

(58) **Field of Classification Search**
USPC D30/108–120, 158–161; D6/582–583, D6/585, 596, 603, 592
CPC .. A01K 1/0107; A01K 1/0114; A01K 1/0125; A01K 1/0154; A01K 1/0155; A01K 1/0157; A01K 31/04
See application file for complete search history.

FIG. 1 is a front perspective view shown of a first embodiment of an animal bedding showing our new design; FIG. 2 is a front elevation view thereof; FIG. 3 is a rear elevation view thereof; FIG. 4 is a bottom plan view thereof; FIG. 5 is a top plan view thereof; FIG. 6 is a left side elevation view thereof; FIG. 7 is a right side elevation view thereof; FIG. 8 is another front perspective view shown in an alternate configuration of an animal bedding; FIG. 9 is a front perspective view shown of a second embodiment of an animal bedding showing our new design; and, FIG. 10 is a front elevation view thereof.

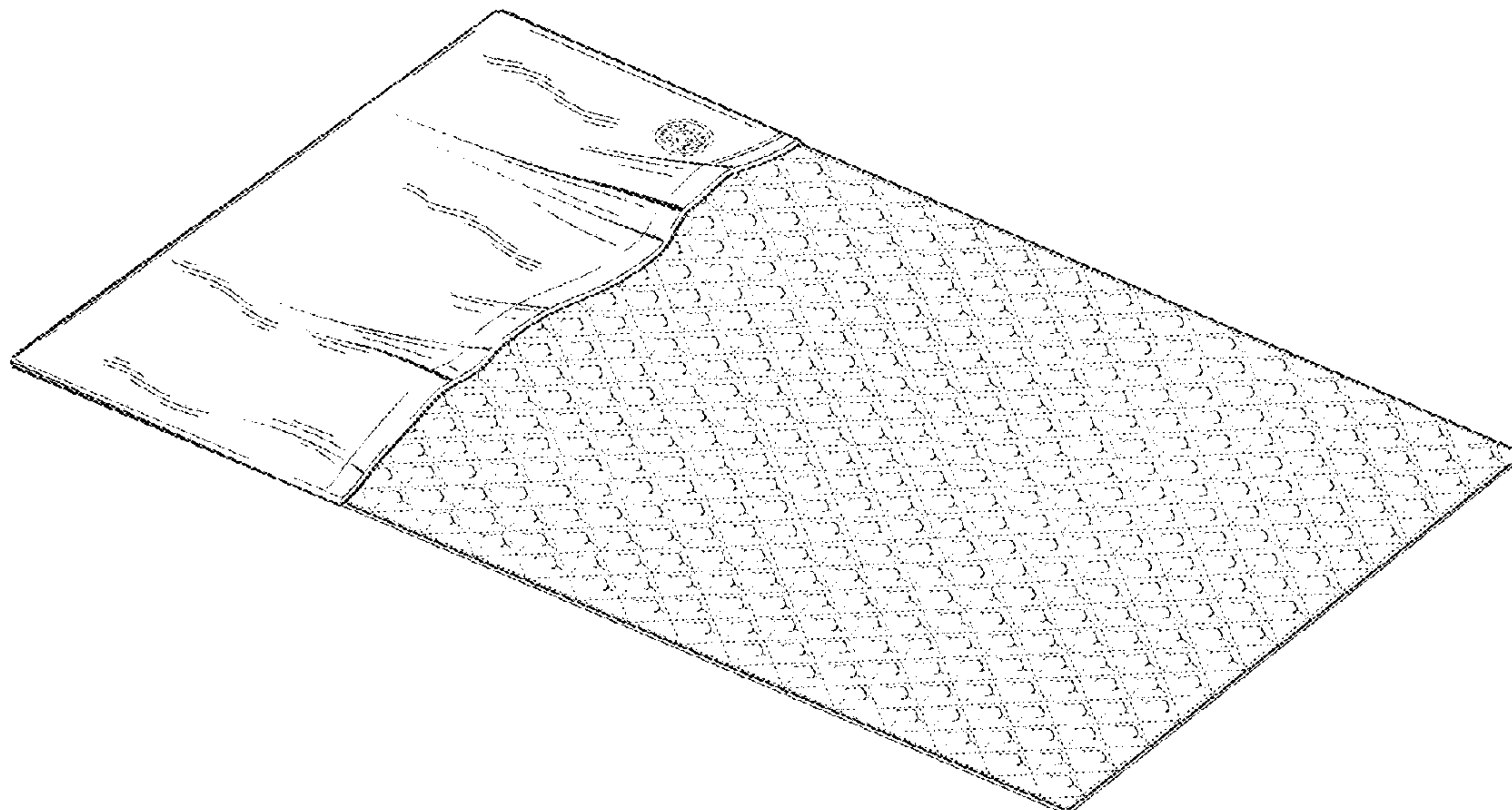
(56) **References Cited**

U.S. PATENT DOCUMENTS

D523,192 S	*	6/2006	Northrop	D30/161
D641,936 S	*	7/2011	Simpson	D30/118
D744,263 S	*	12/2015	Quinones	D6/603
D765,922 S	*	9/2016	Savan	D30/199
D799,759 S	*	10/2017	Elliott	D30/161
D830,735 S	*	10/2018	Johnson	D6/603
D875,428 S	*	2/2020	Lin	D6/582
D878,685 S	*	3/2020	Xu	D30/161

Broken lines, including the diamond shaped broken line illustrative of stitching shown in FIGS. 1-2 and 8-10, the broken lines illustrative of stitching shown around the perimeter of the animal bedding in FIGS. 1-3 and 8-10, and the broken lines of a guinea pig as an environmental structure and form no part of the claimed design.

1 Claim, 8 Drawing Sheets



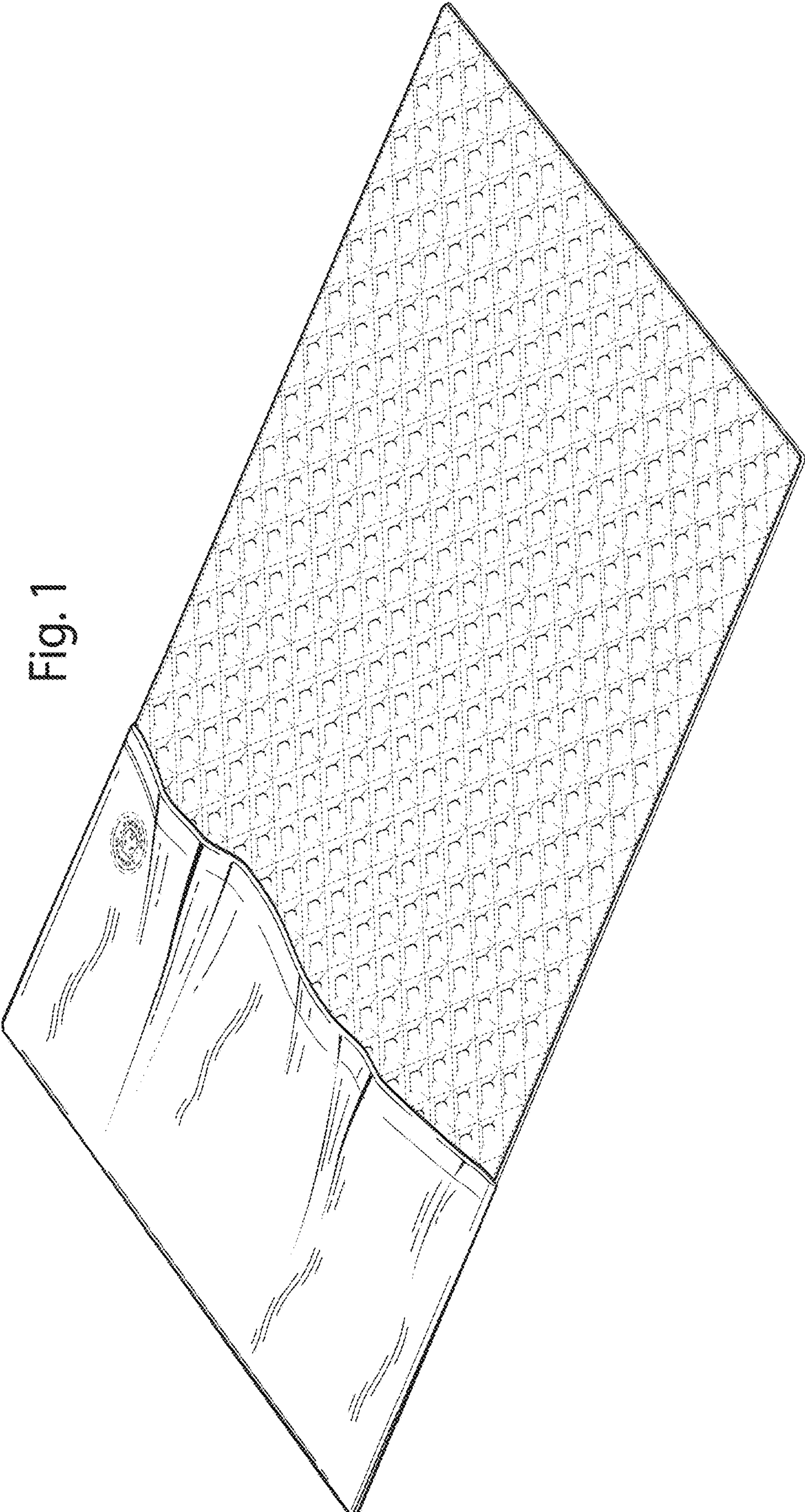


Fig. 1

Fig. 2

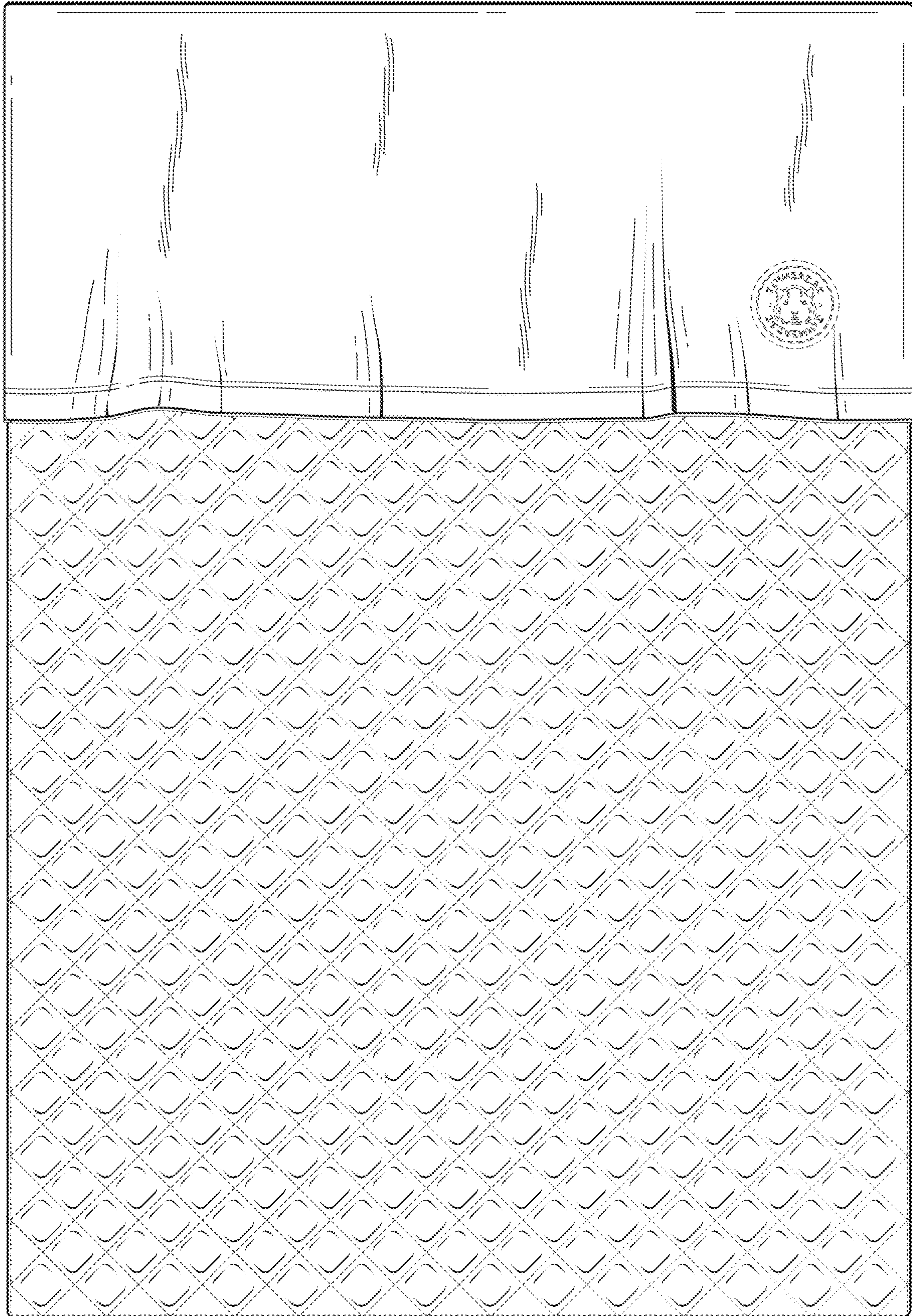


Fig. 3

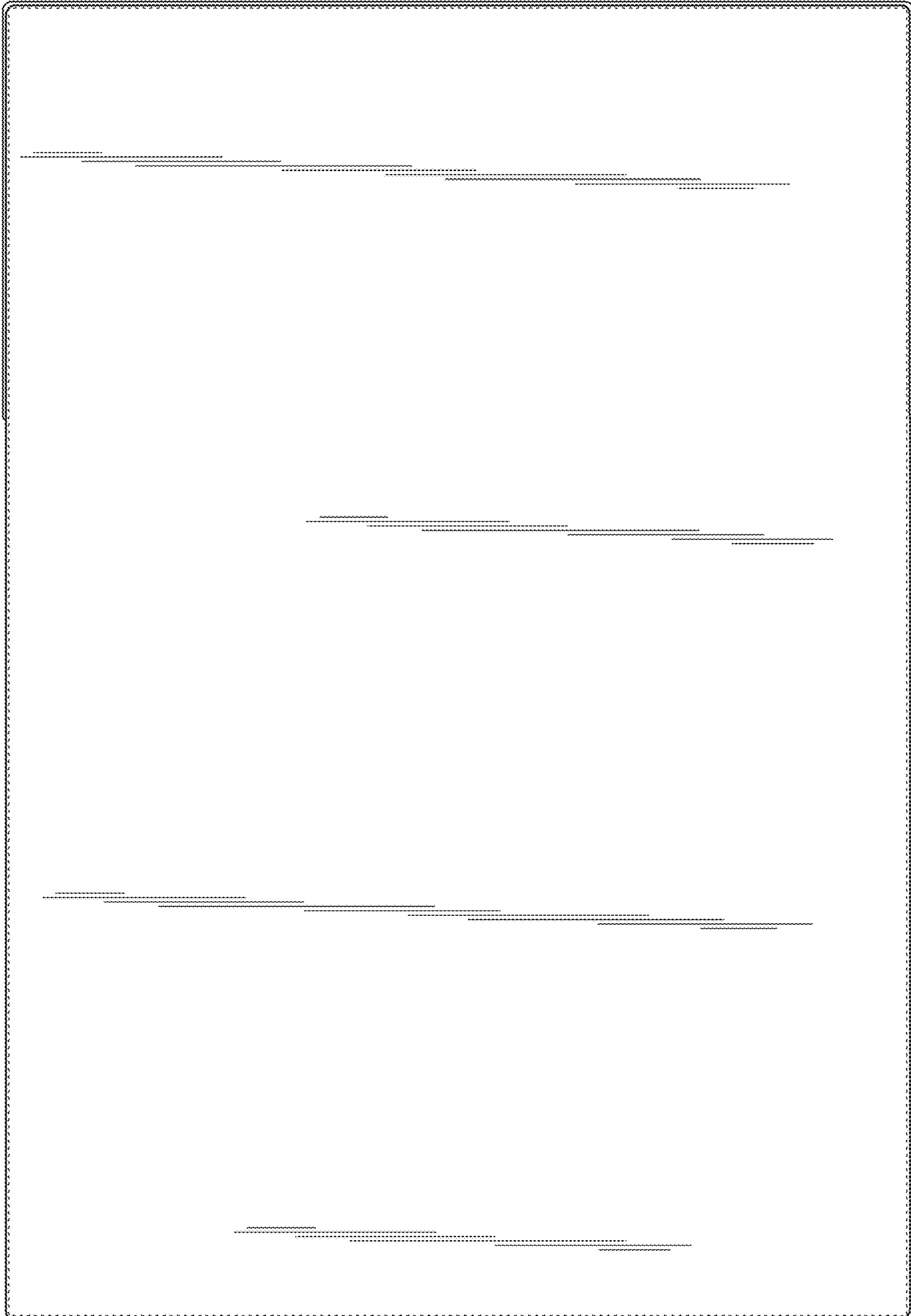


Fig. 4

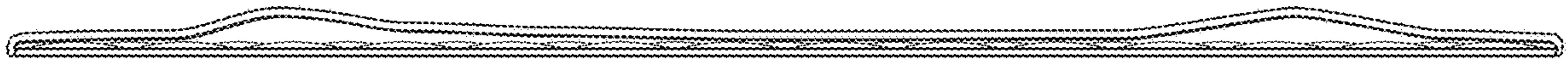


Fig. 5

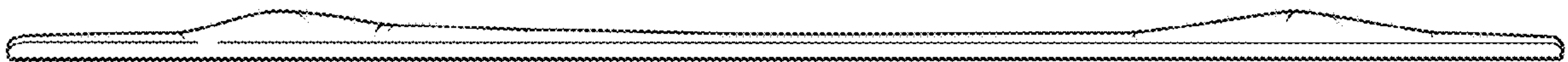


Fig. 6

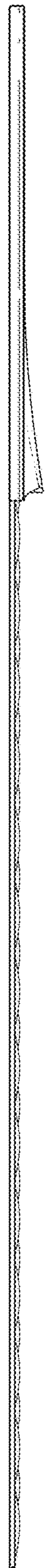


Fig. 7



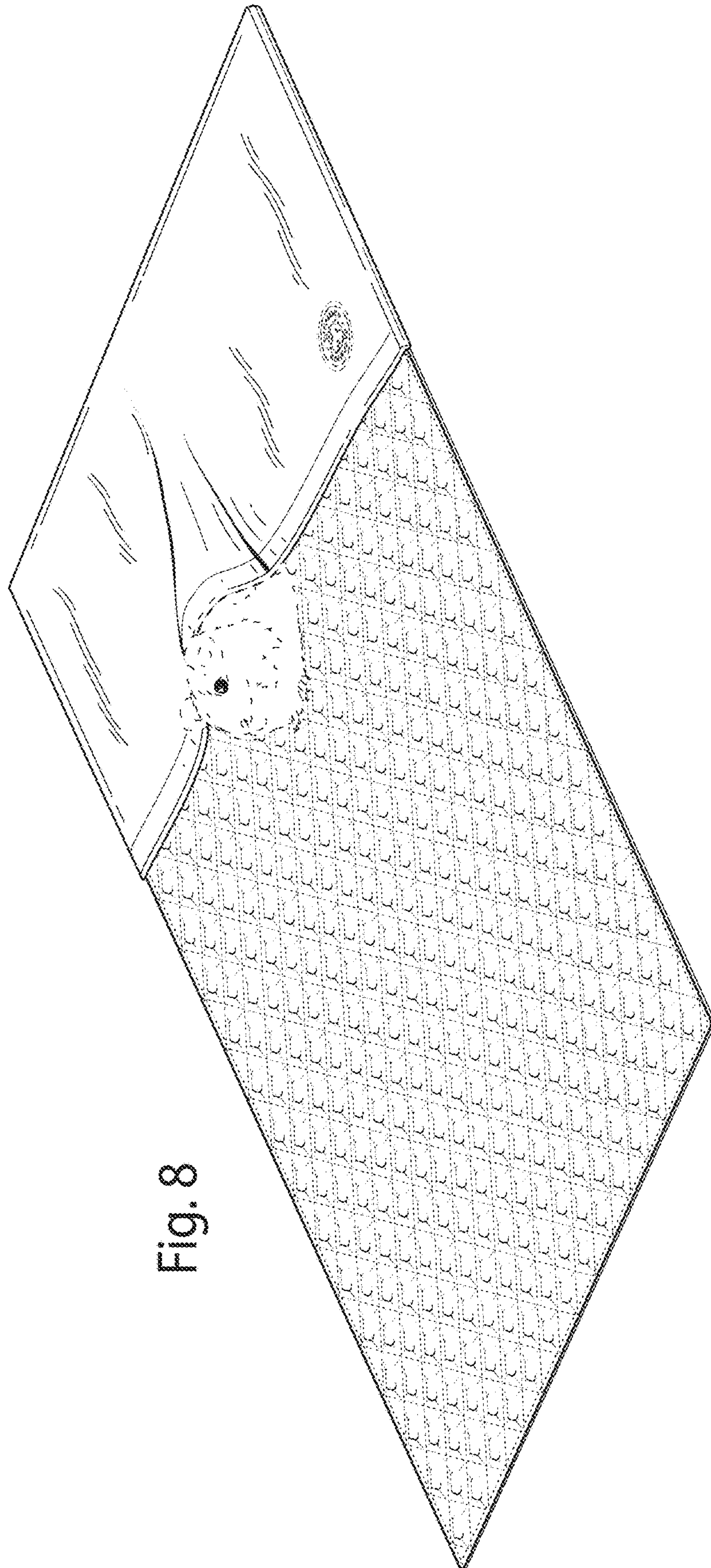


Fig. 8

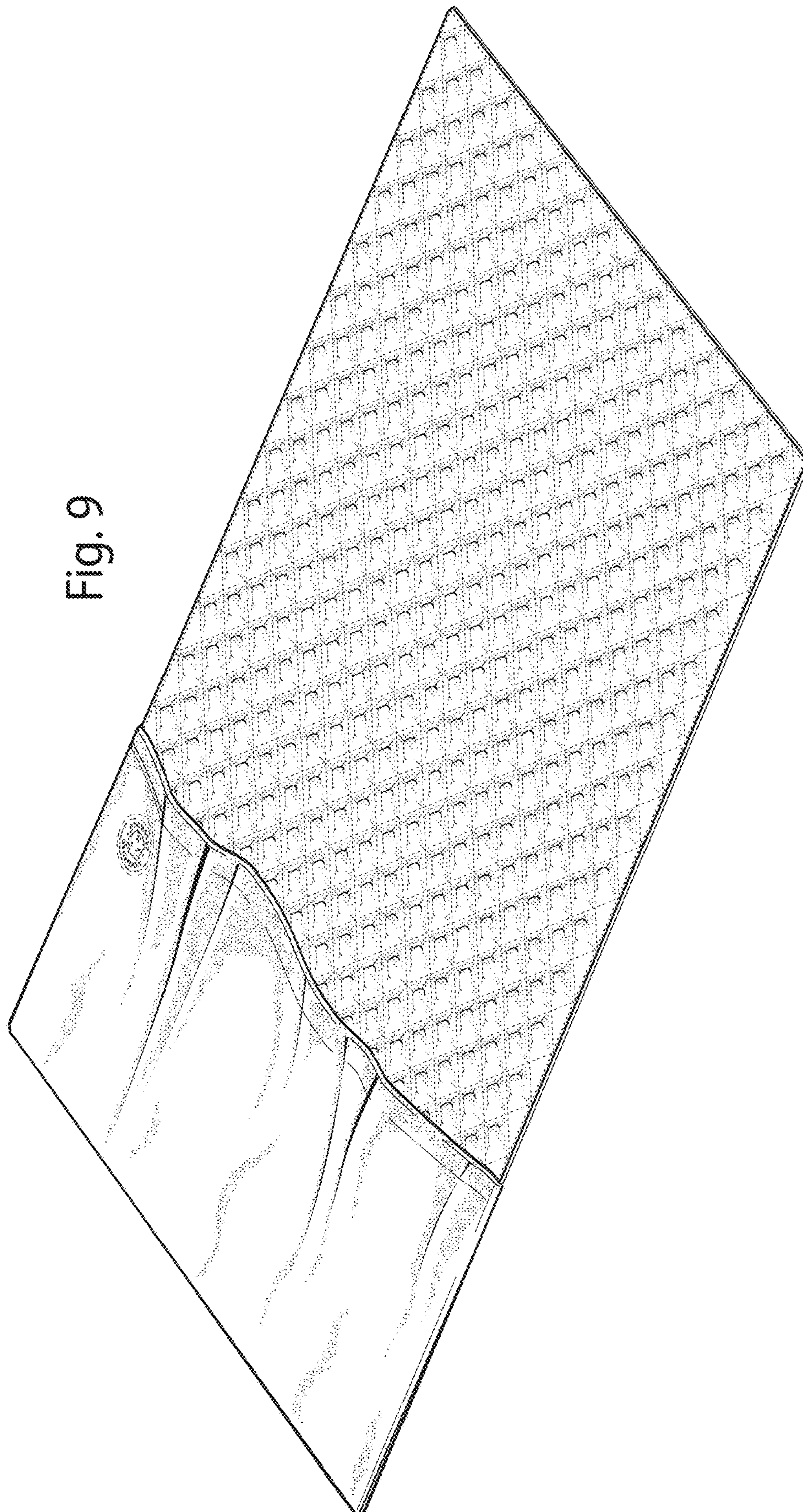


Fig. 9

Fig. 10

