



US00D930266S

(12) **United States Design Patent** (10) **Patent No.:** **US D930,266 S**
Liu (45) **Date of Patent:** **** Sep. 7, 2021**

(54) **PET CAR SEAT COVER**

(71) Applicant: **Xin Liu**, Shenzhen (CN)

(72) Inventor: **Xin Liu**, Shenzhen (CN)

(**) Term: **15 Years**

(21) Appl. No.: **29/624,684**

(22) Filed: **Nov. 2, 2017**

(51) **LOC (13) Cl.** **30-06**

(52) **U.S. Cl.**
USPC **D30/118**

(58) **Field of Classification Search**
USPC D30/108-120; D6/339, 361, 382,
D6/385-387, 595-597, 618.1, 675, 691,
D6/698, 611
CPC . A01K 1/03; A01K 1/05; A01K 1/035; A01K
29/00

See application file for complete search history.

(56) **References Cited**

U.S. PATENT DOCUMENTS

- 1,351,746 A * 9/1920 Eberle A47D 1/103
297/255
- D174,004 S * 2/1955 Schiffman D6/390
- 4,010,880 A * 3/1977 Guillot-Munoz A01K 1/0272
224/275
- D245,716 S * 9/1977 Russo D30/118
- 4,597,359 A * 7/1986 Moorman A01K 1/0263
119/28.5
- 5,044,321 A * 9/1991 Selph A01K 1/0272
119/416
- 5,226,576 A * 7/1993 Ellsworth B60R 7/043
224/275
- D349,317 S * 8/1994 Offutt D21/703
- D394,733 S * 5/1998 Nowicki D12/407

- 5,785,003 A * 7/1998 Jacobson A01K 1/0272
119/28.5
- D406,096 S * 2/1999 Lucas, Jr. D12/416
- D641,979 S * 7/2011 Goodman D3/306
- D821,657 S * 6/2018 Jakubowski D30/118
- D851,963 S * 6/2019 Fischer-Livneh D6/611
- D868,503 S * 12/2019 Fu D6/611
- D880,198 S * 4/2020 Umlauf D6/611
- D883,716 S * 5/2020 Hu D6/611
- D902,629 S * 11/2020 Umlauf D6/611

* cited by examiner

Primary Examiner — Aula Soroush

(74) *Attorney, Agent, or Firm* — Bayramoglu Law Offices LLC

(57) **CLAIM**

The ornamental design for a pet car seat cover, as shown and described.

DESCRIPTION

FIG. 1 is a perspective view of a pet car seat cover showing my new design;

FIG. 2 is a front elevation view thereof;

FIG. 3 is a rear elevation view thereof;

FIG. 4 is a top plan view thereof;

FIG. 5 is a bottom plan view thereof;

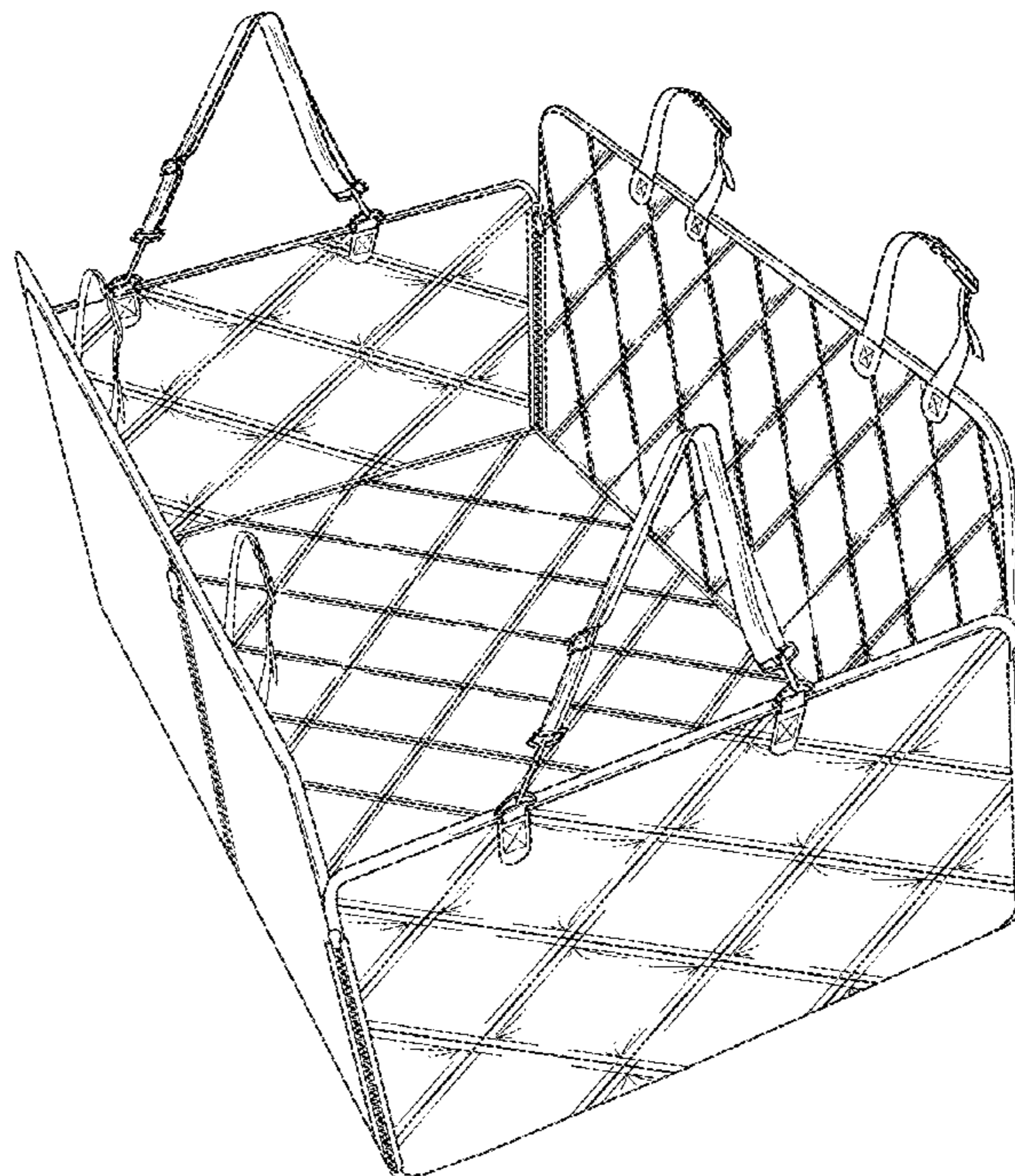
FIG. 6 is a left side elevation view thereof the right side being mirror image;

FIG. 7 is an alternate configuration of the top plan inner view thereof; and,

FIG. 8 is an alternate configuration of the bottom plan view thereof.

The broken lines showing portions of the pet car seat cover form no part of the claimed design.

1 Claim, 8 Drawing Sheets



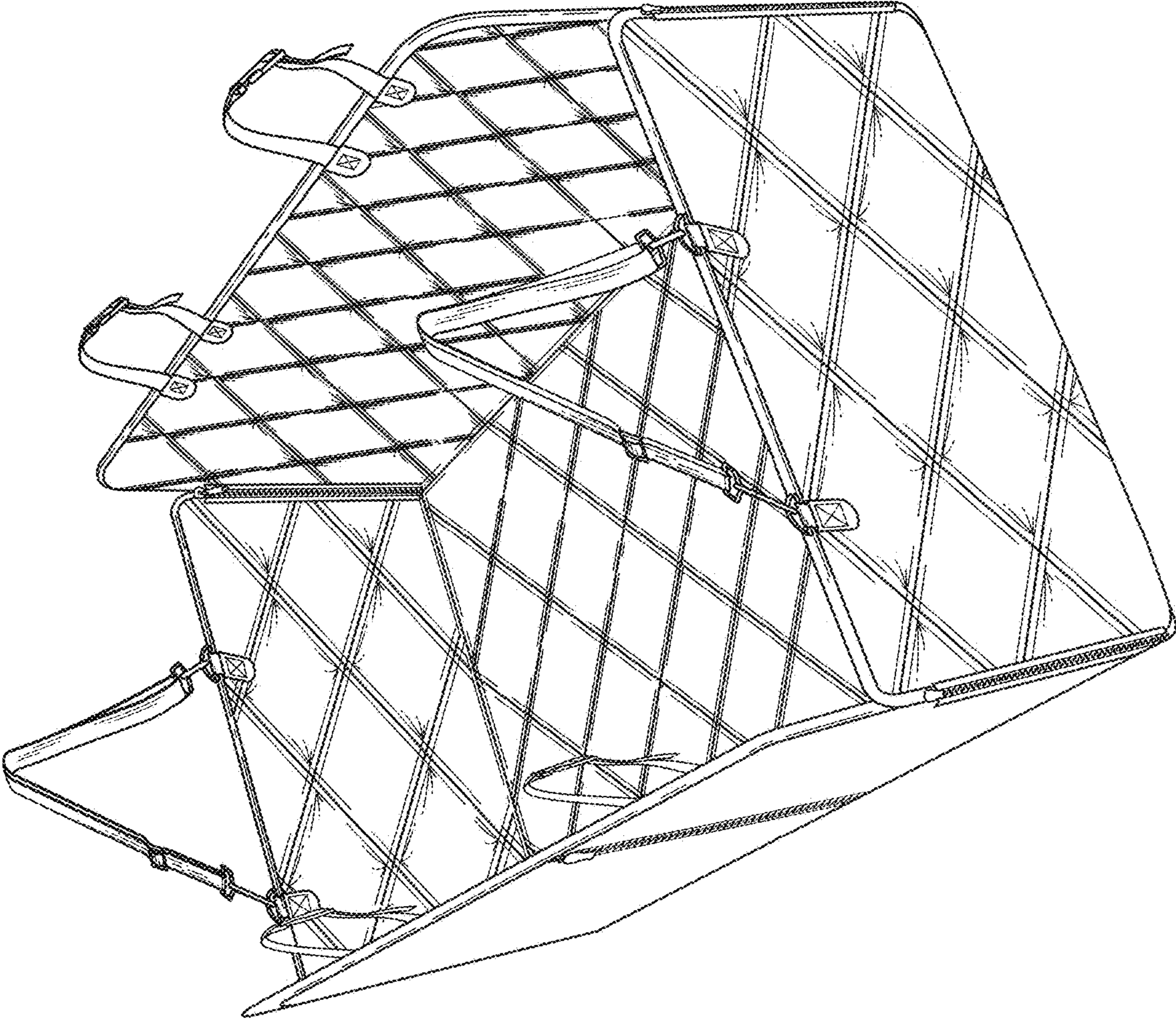


FIG. 1

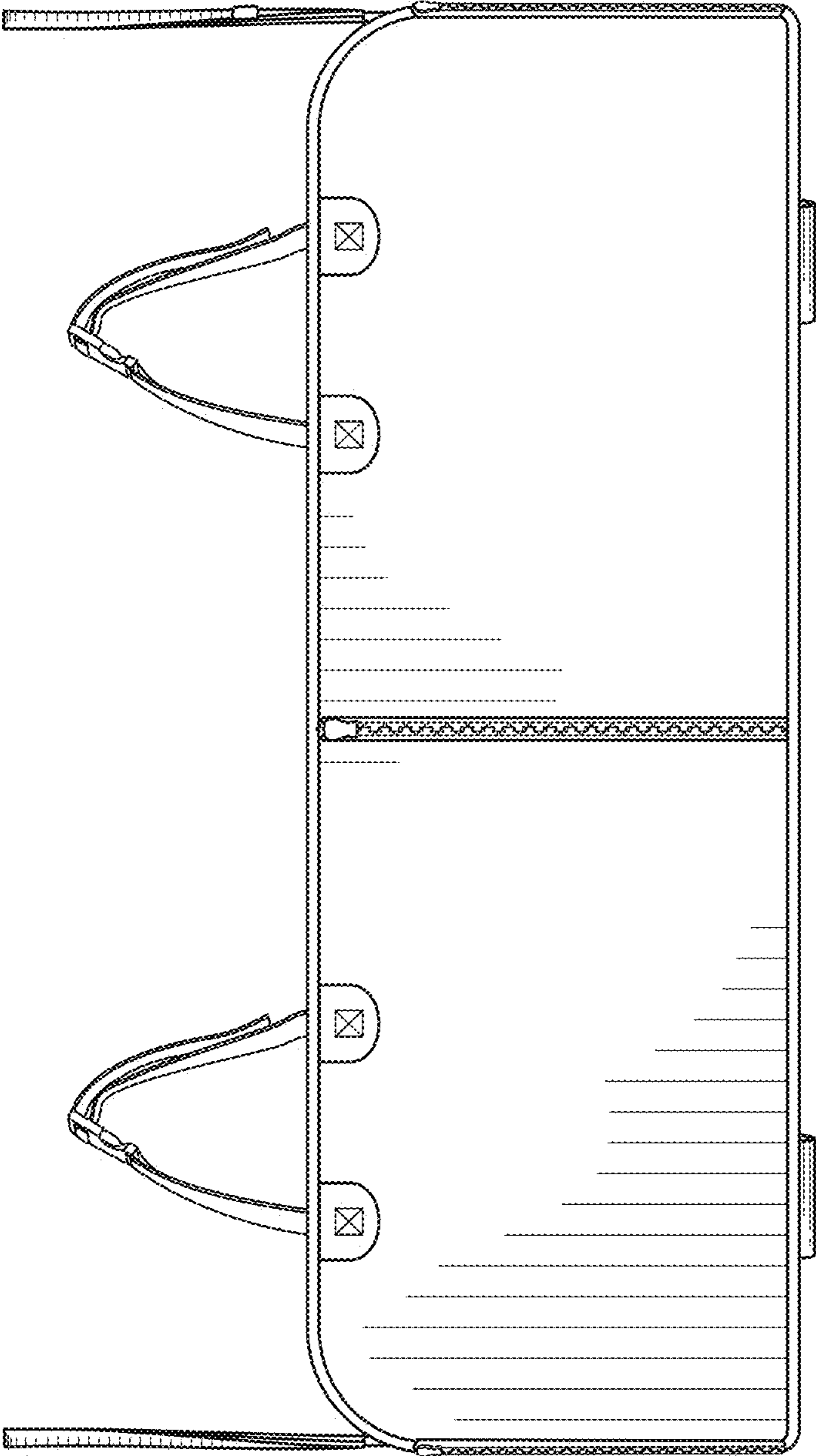


FIG. 2

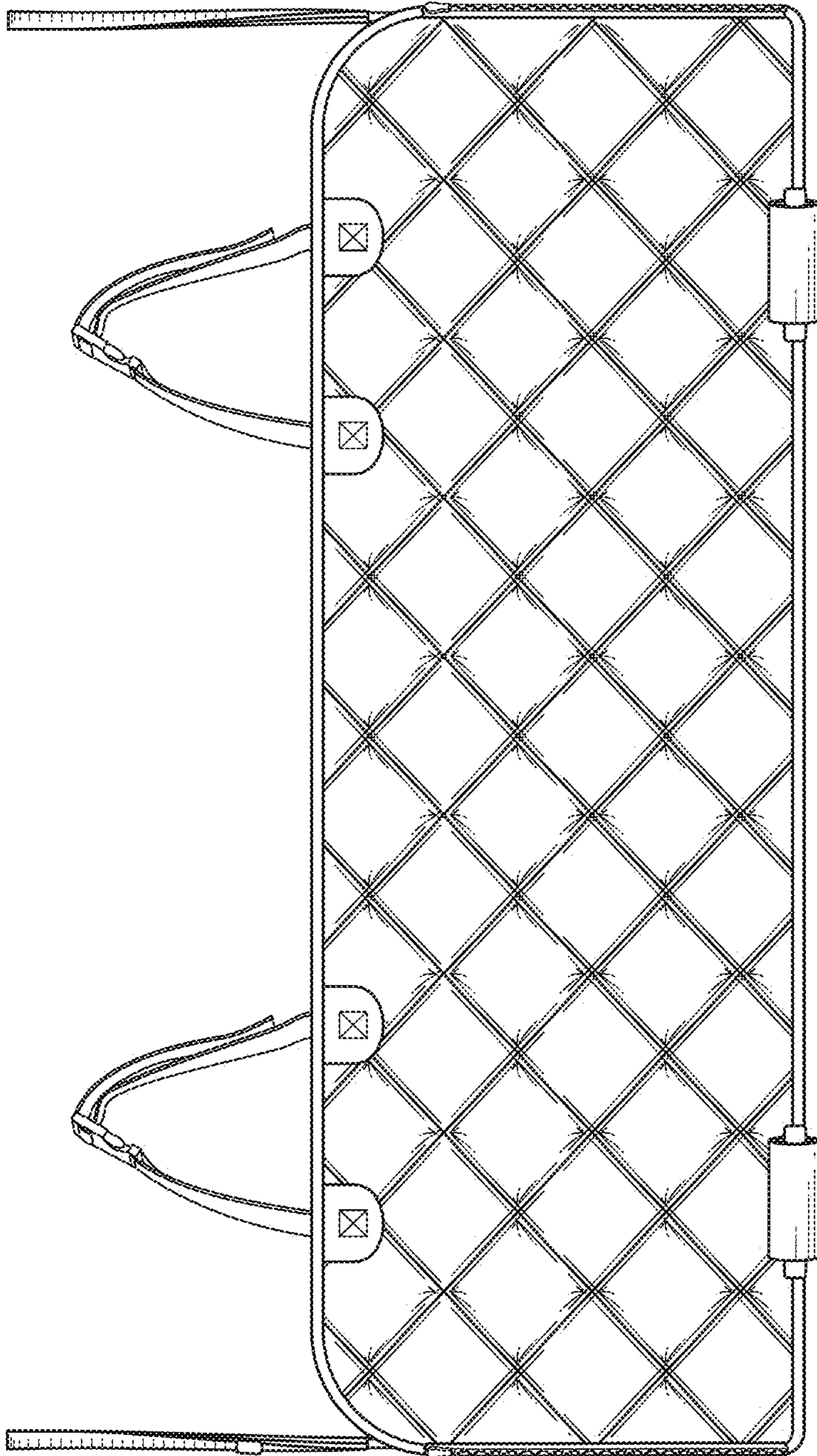


FIG. 3

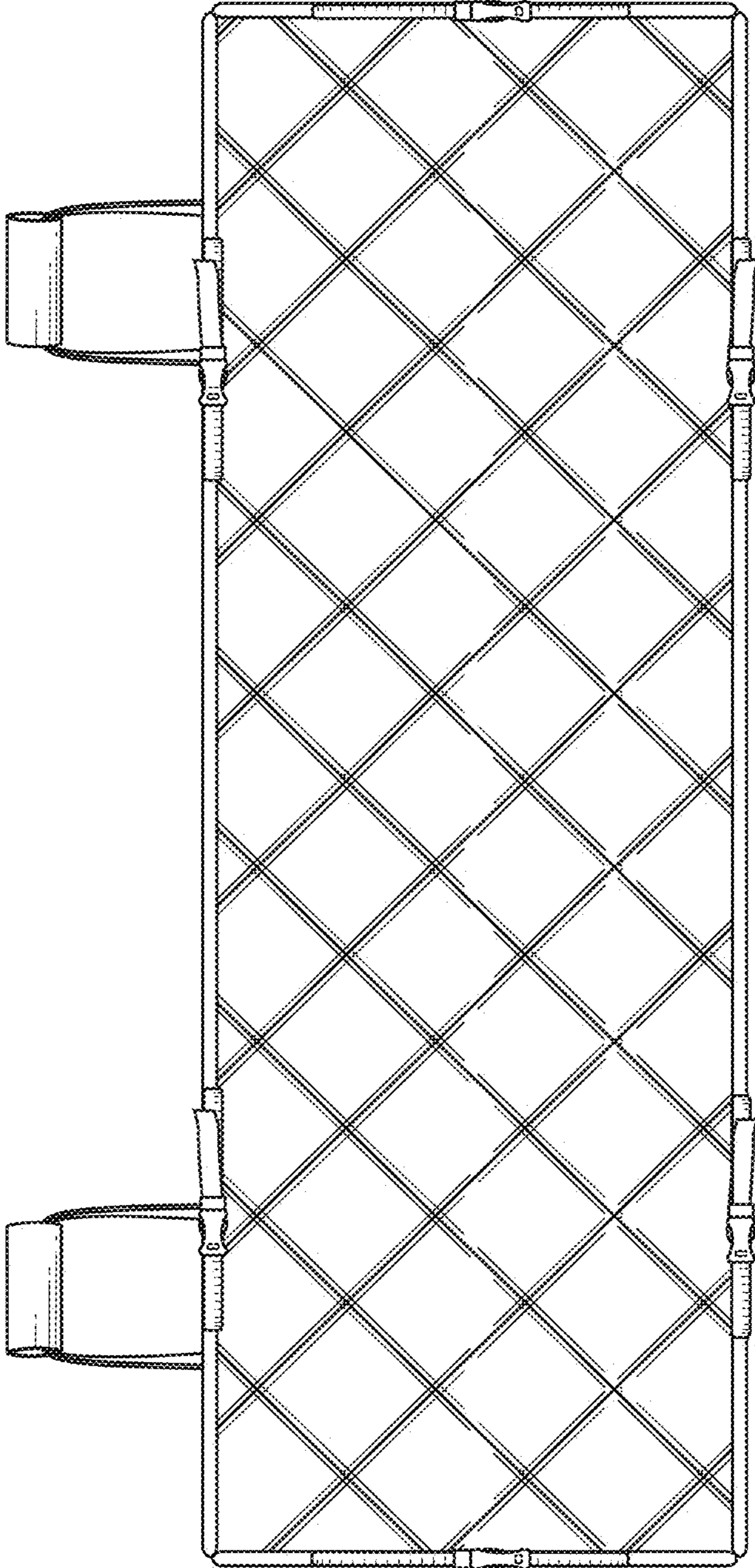


FIG. 4

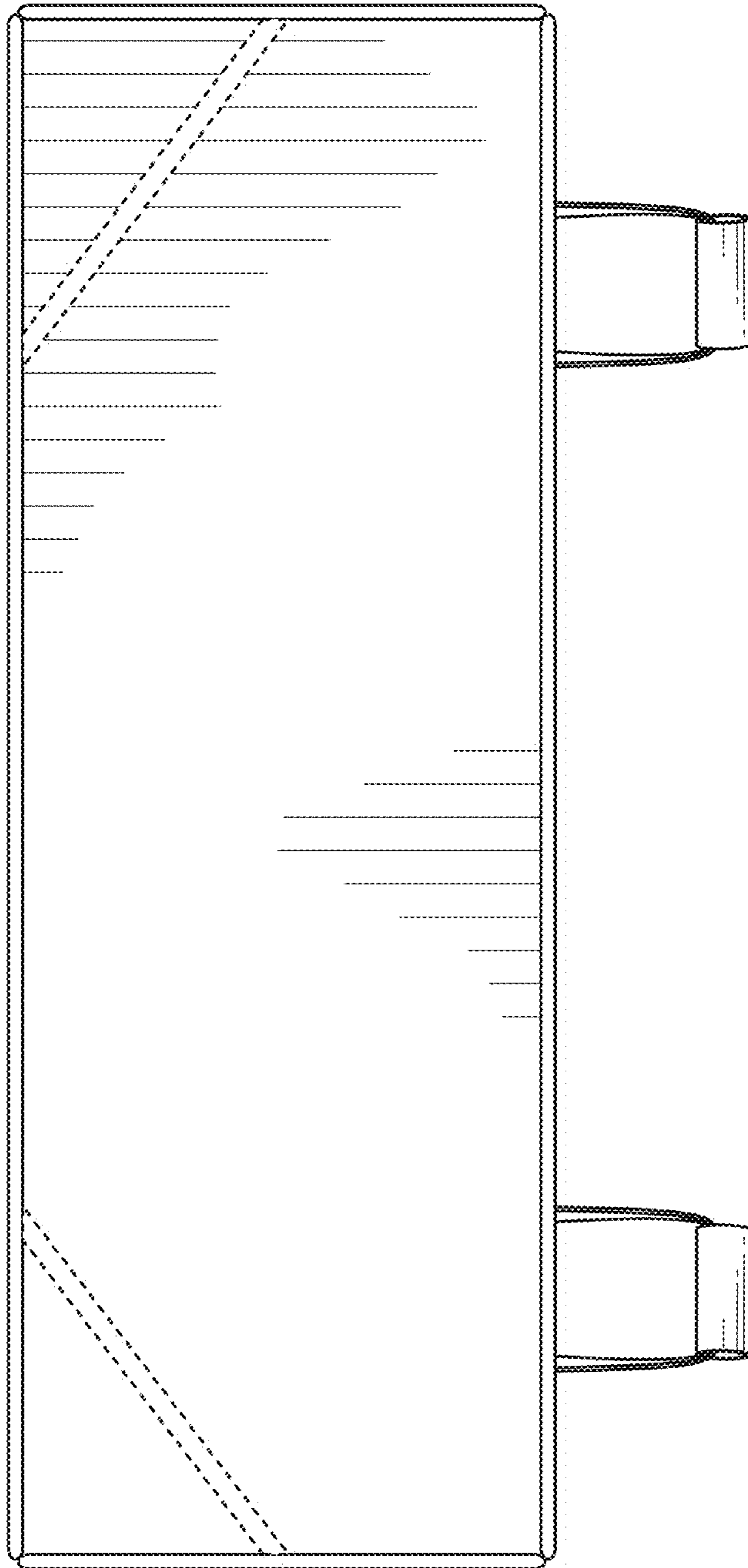


FIG. 5

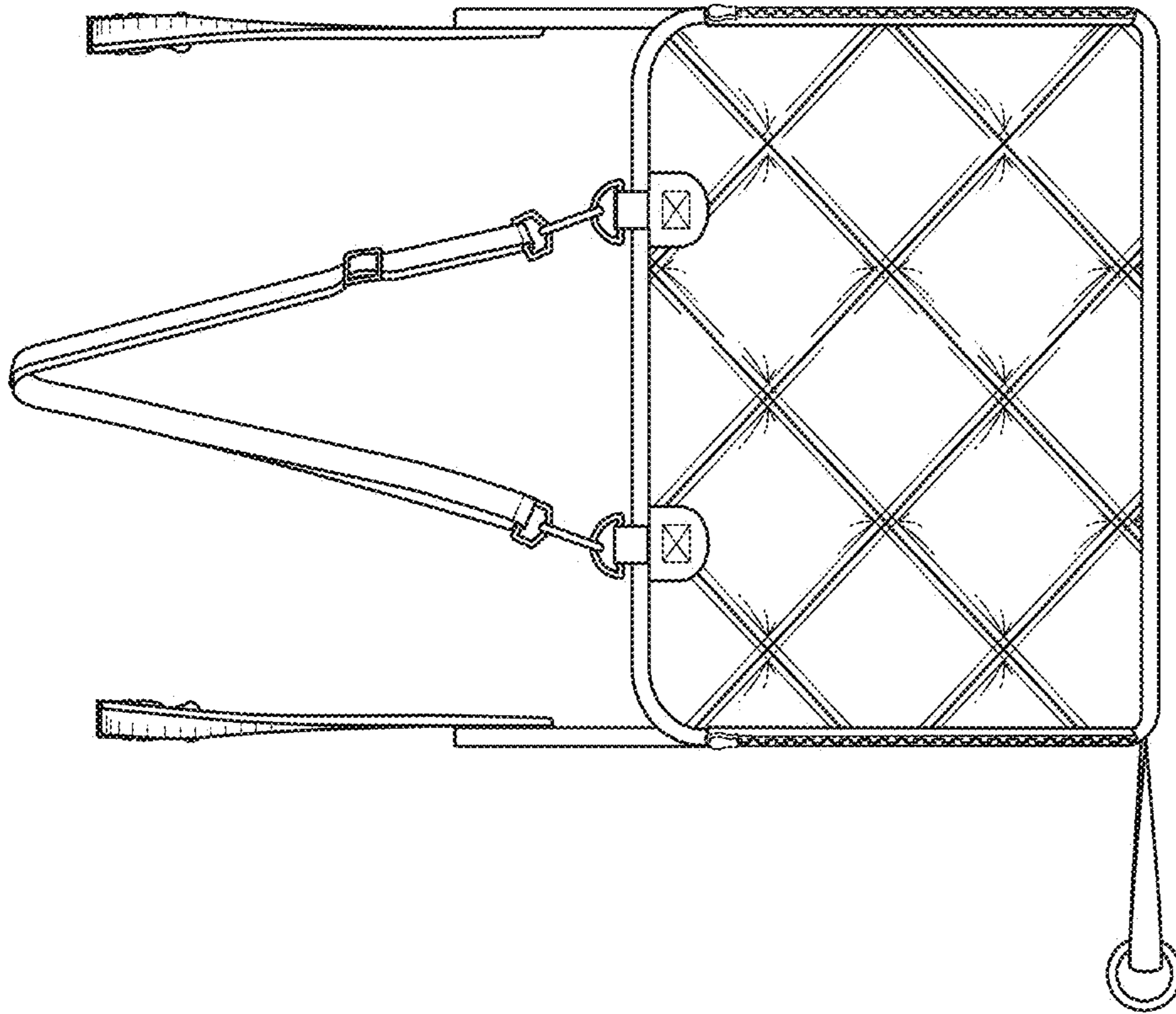


FIG. 6

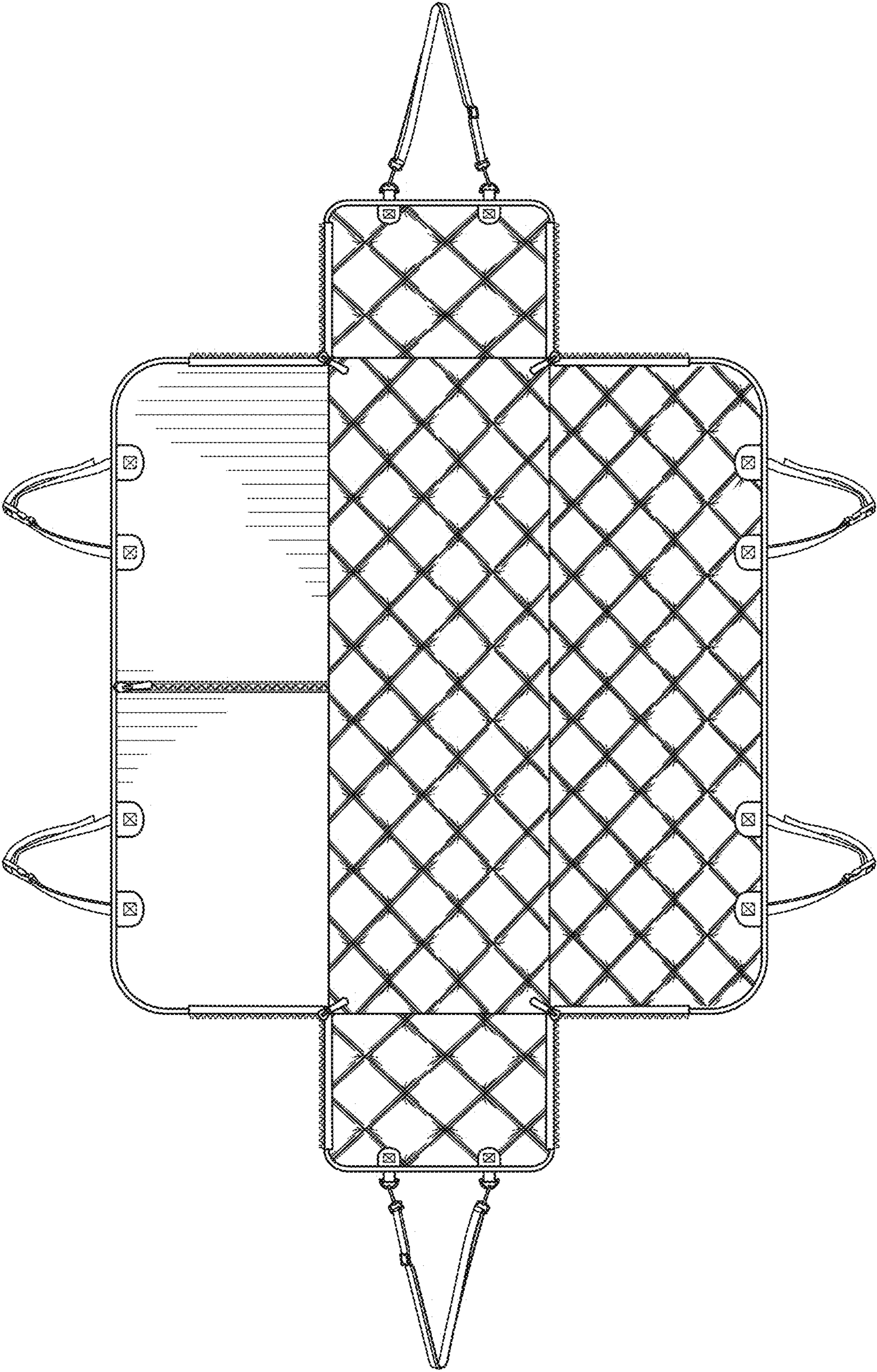


FIG. 7

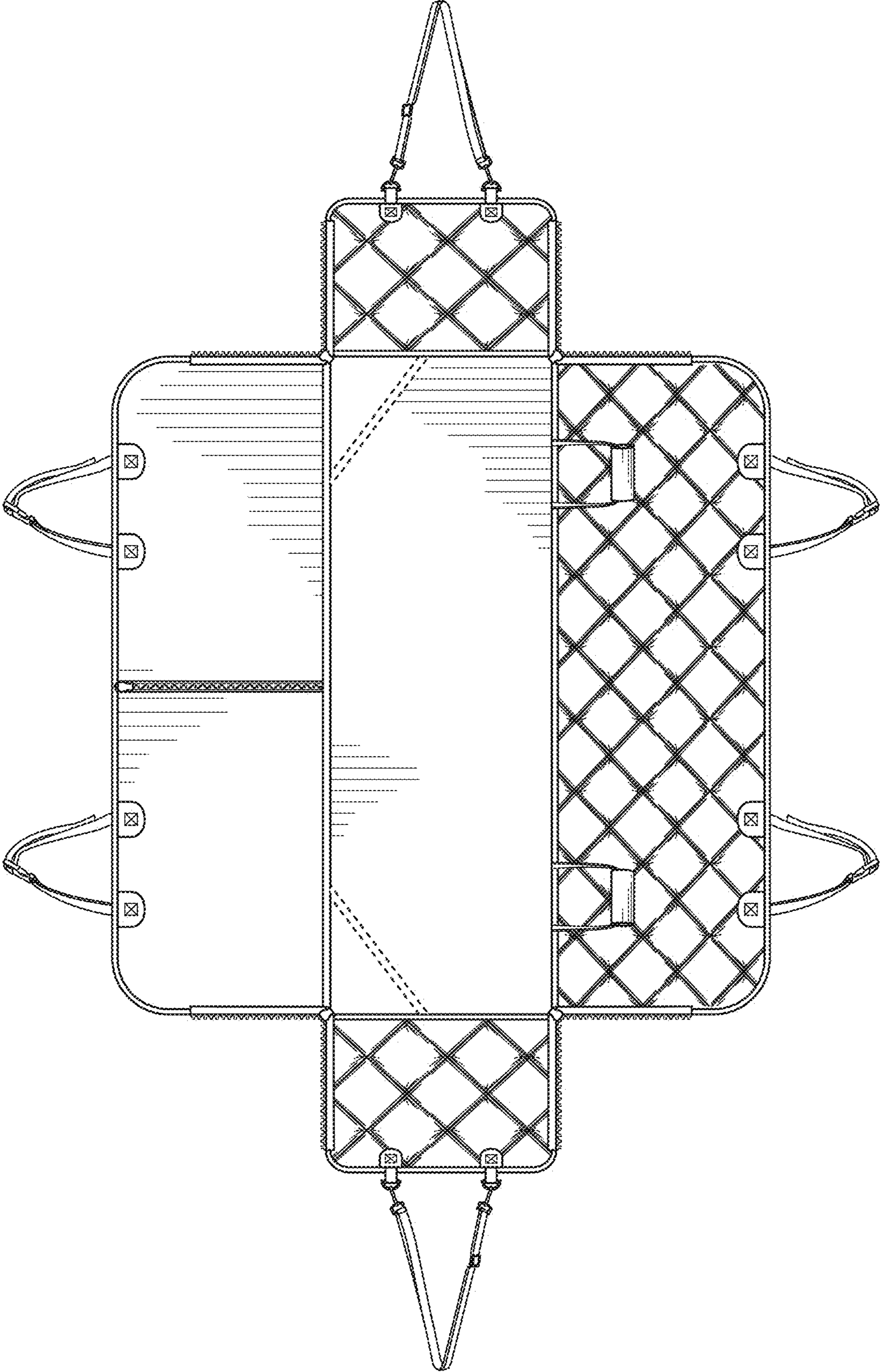


FIG. 8