



US00D930265S

(12) **United States Design Patent** (10) **Patent No.:** **US D930,265 S**
Tuthill et al. (45) **Date of Patent:** **** Sep. 7, 2021**

(54) **OUTDOOR PET RUN**

(56) **References Cited**

(71) Applicant: **Hebe Studio Ltd**, Oxfordshire (GB)

U.S. PATENT DOCUMENTS

(72) Inventors: **James Tuthill**, Oxford (GB); **Johannes Paul**, London (GB); **Simon Nicholls**, Northamptonshire (GB); **William Windham**, Banbury (GB)

4,445,459	A *	5/1984	Julie	A01K 1/0236
				119/28.5
D634,078	S *	3/2011	Lee	D30/119
D715,006	S *	10/2014	Pomerantz	D30/112
D723,225	S *	2/2015	Lee	D30/108
D725,833	S *	3/2015	Trifiro	D30/119
9,339,006	B1 *	5/2016	Eby	A01K 1/034
D825,113	S *	8/2018	Langenwalter	D30/114
D847,440	S *	4/2019	Cantwell	D30/119
D866,086	S *	11/2019	Chen	D30/114
D870,978	S *	12/2019	Pomerantz	D30/112
2001/0054394	A1 *	12/2001	Marchioro	A01K 1/0245
				119/452

(73) Assignee: **HEBE STUDIO LIMITED**, Oxfordshire (GB)

(**) Term: **15 Years**

(21) Appl. No.: **29/611,310**

(22) Filed: **Jul. 20, 2017**

(30) **Foreign Application Priority Data**

Jan. 26, 2017	(EM)	003712298-0004
Jan. 26, 2017	(EM)	003712298-0005
Jan. 26, 2017	(EM)	003712298-0006
Jan. 26, 2017	(EM)	003712298-0007

(51) **LOC (13) Cl.** **30-06**

(52) **U.S. Cl.**
USPC **D30/118**

(58) **Field of Classification Search**
USPC D21/520; D6/601, 349, 595-597, 604, D6/382; D8/333, 343, 354, 366, 373, D8/382, 383; D25/48.1, 48.3, 152, 153, D25/154, 155, 156; D30/108-120, D30/158-161
CPC A01K 1/00; A01K 1/0272; A01K 1/0353; A01K 1/035; A01K 1/0017; A01K 1/0245; A01K 1/0035; A01K 1/0151; A47C 21/02

See application file for complete search history.

* cited by examiner

Primary Examiner — Aula Soroush

(74) *Attorney, Agent, or Firm* — Taft Stettinius & Hollister LLP; Stephen F. Rost

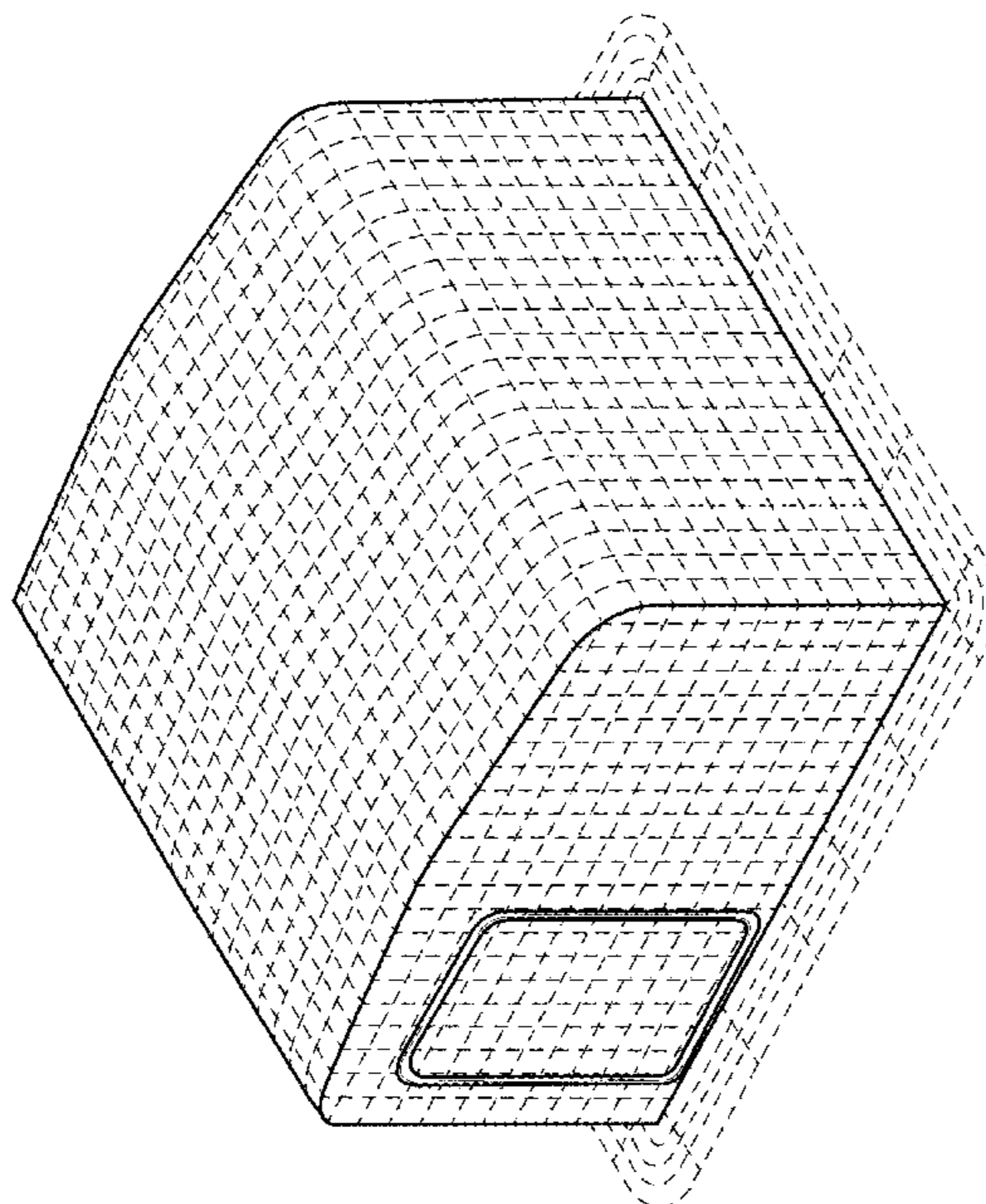
(57) **CLAIM**

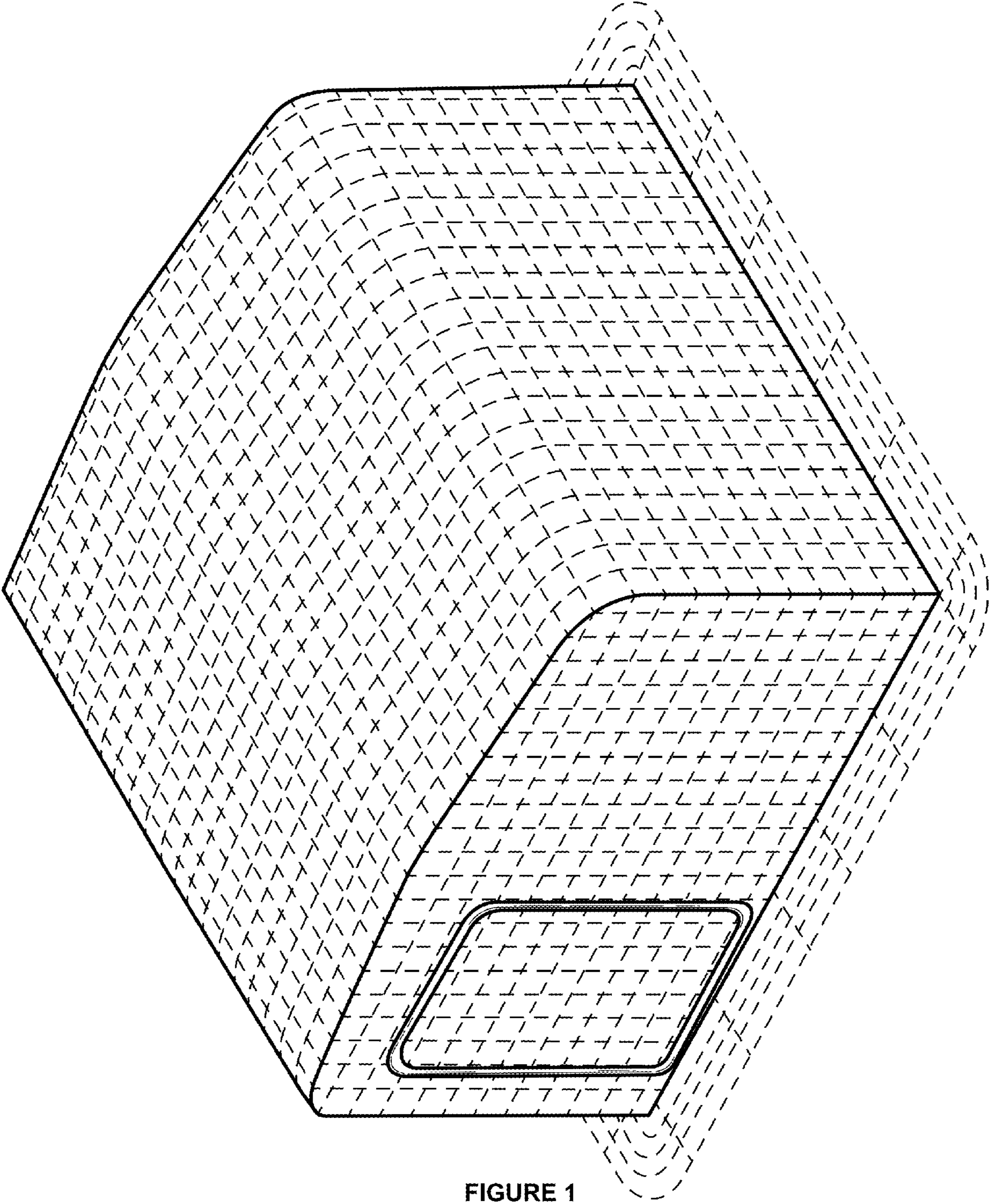
The ornamental design for an outdoor pet run, as shown and described.

DESCRIPTION

FIG. 1 is a perspective view of an outdoor pet run; FIG. 2 is a leftside elevational view thereof; FIG. 3 is a rightside elevational view thereof; FIG. 4 is a top plan view thereof; FIG. 5 is a bottom plan view thereof; FIG. 6 is a back view thereof; and, FIG. 7 is a front view thereof.
The broken lines shown represent unclaimed subject matter and form no part of the claimed design and the areas between the broken lines do not form part of the claimed design.

1 Claim, 7 Drawing Sheets





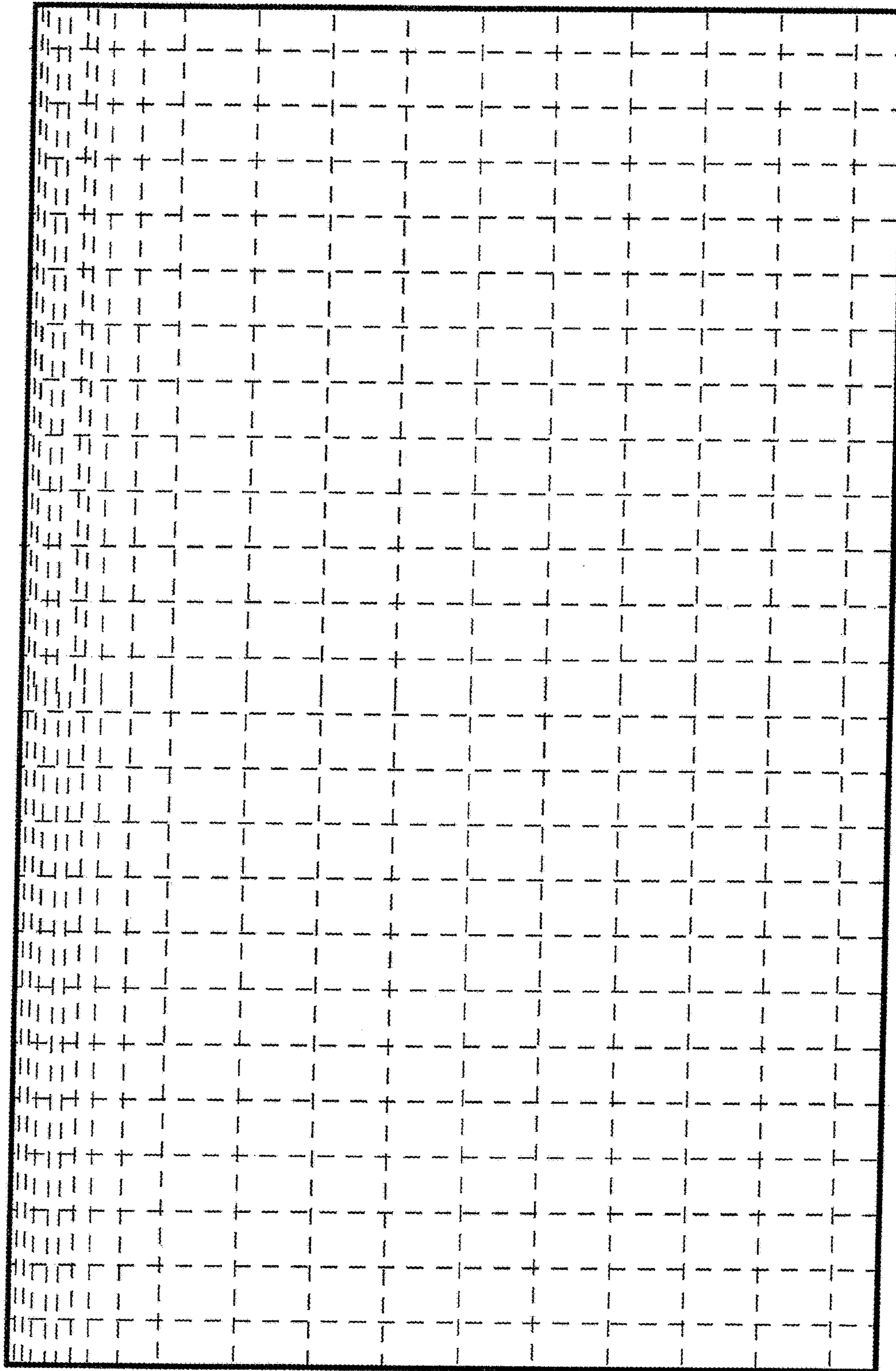


FIGURE 2

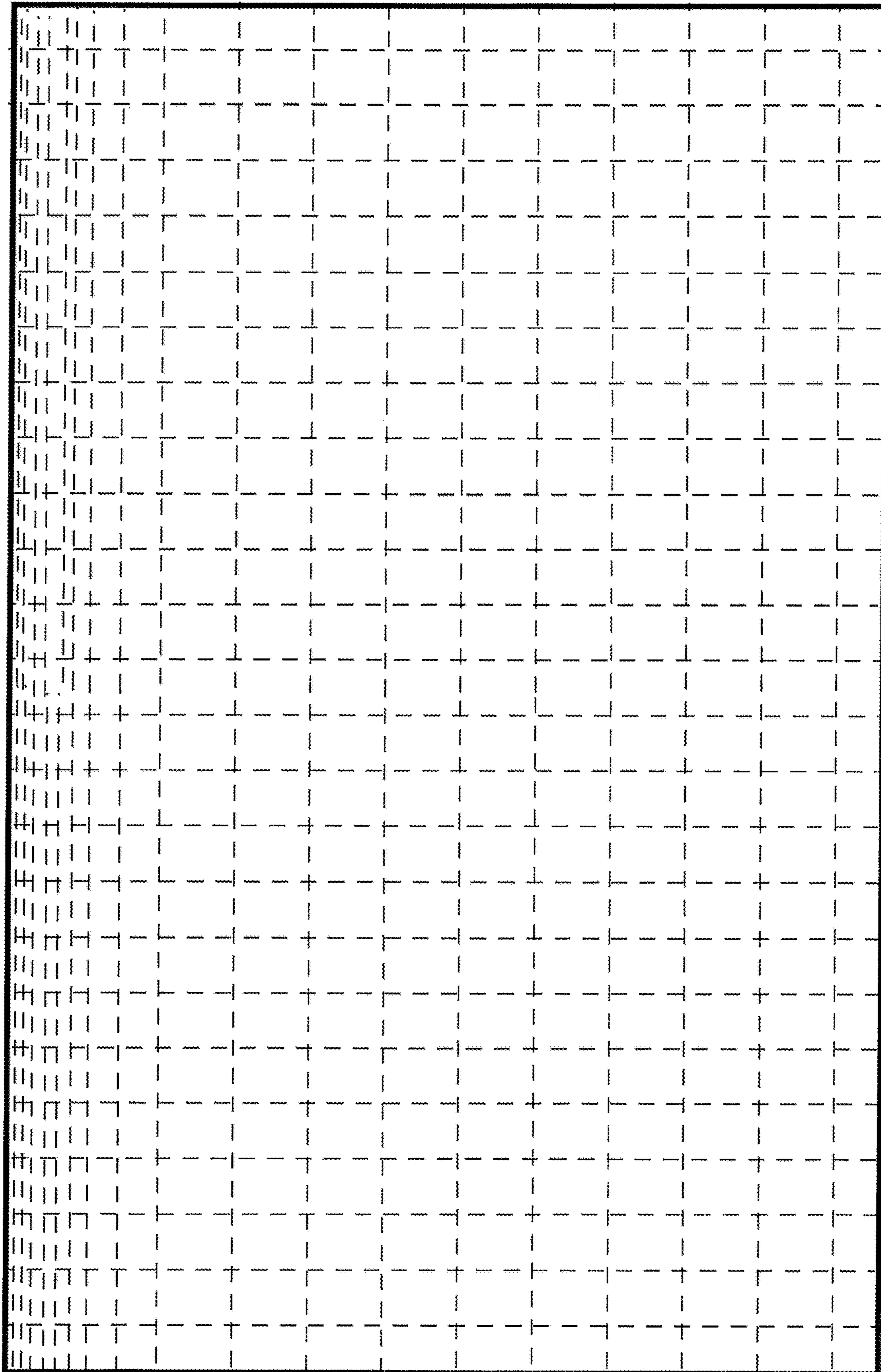


FIGURE 3

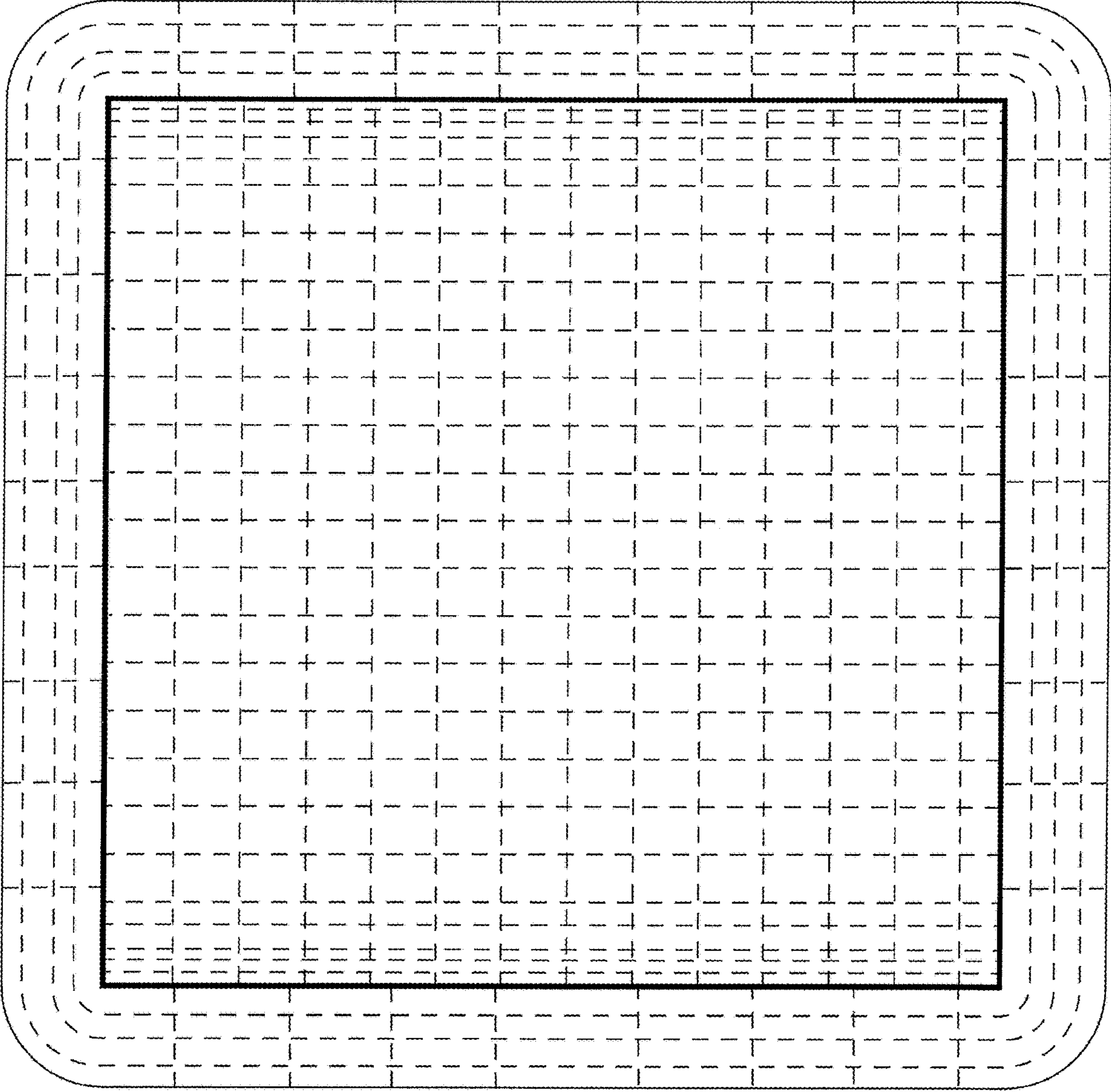


FIGURE 4

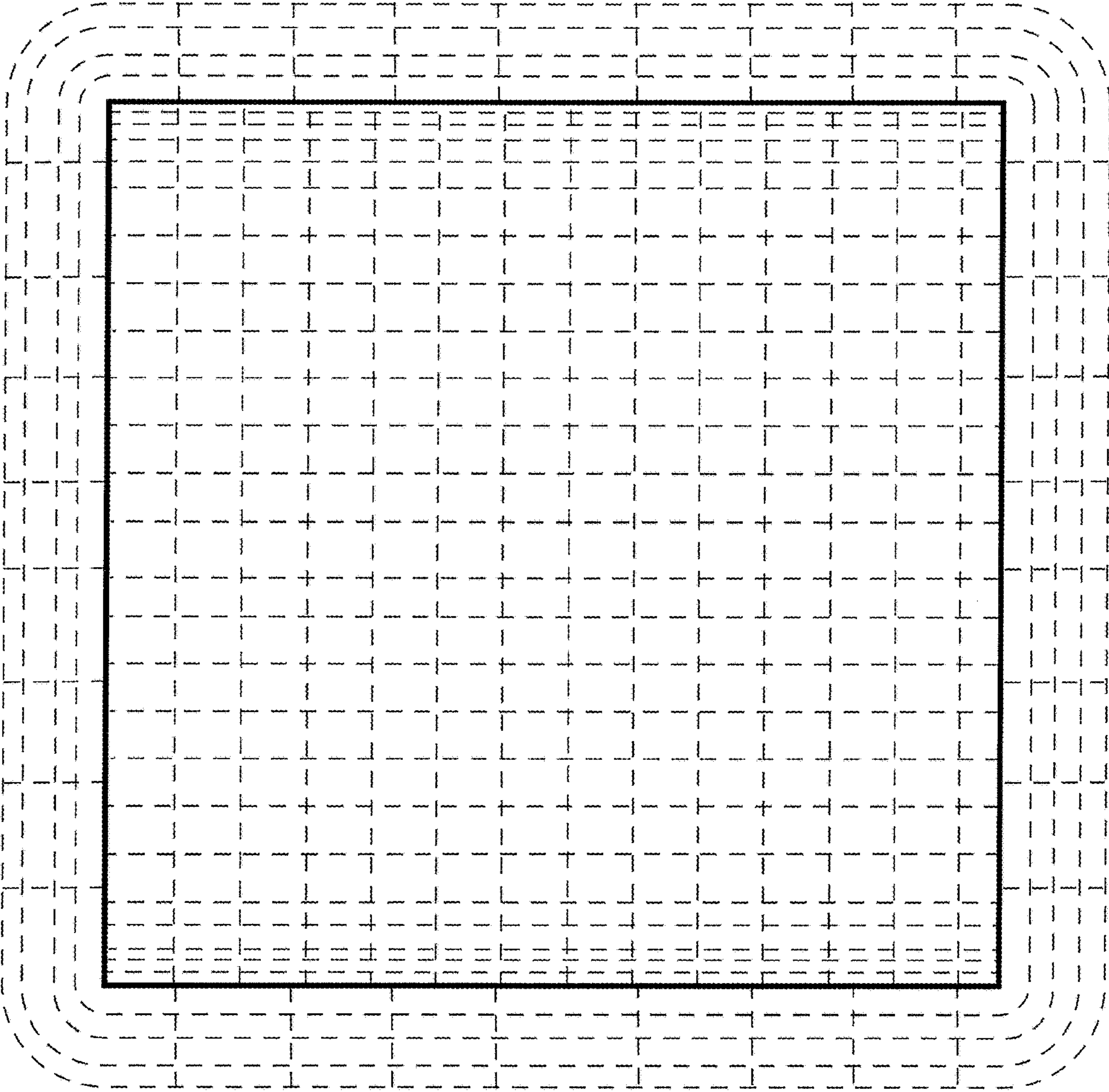


FIGURE 5

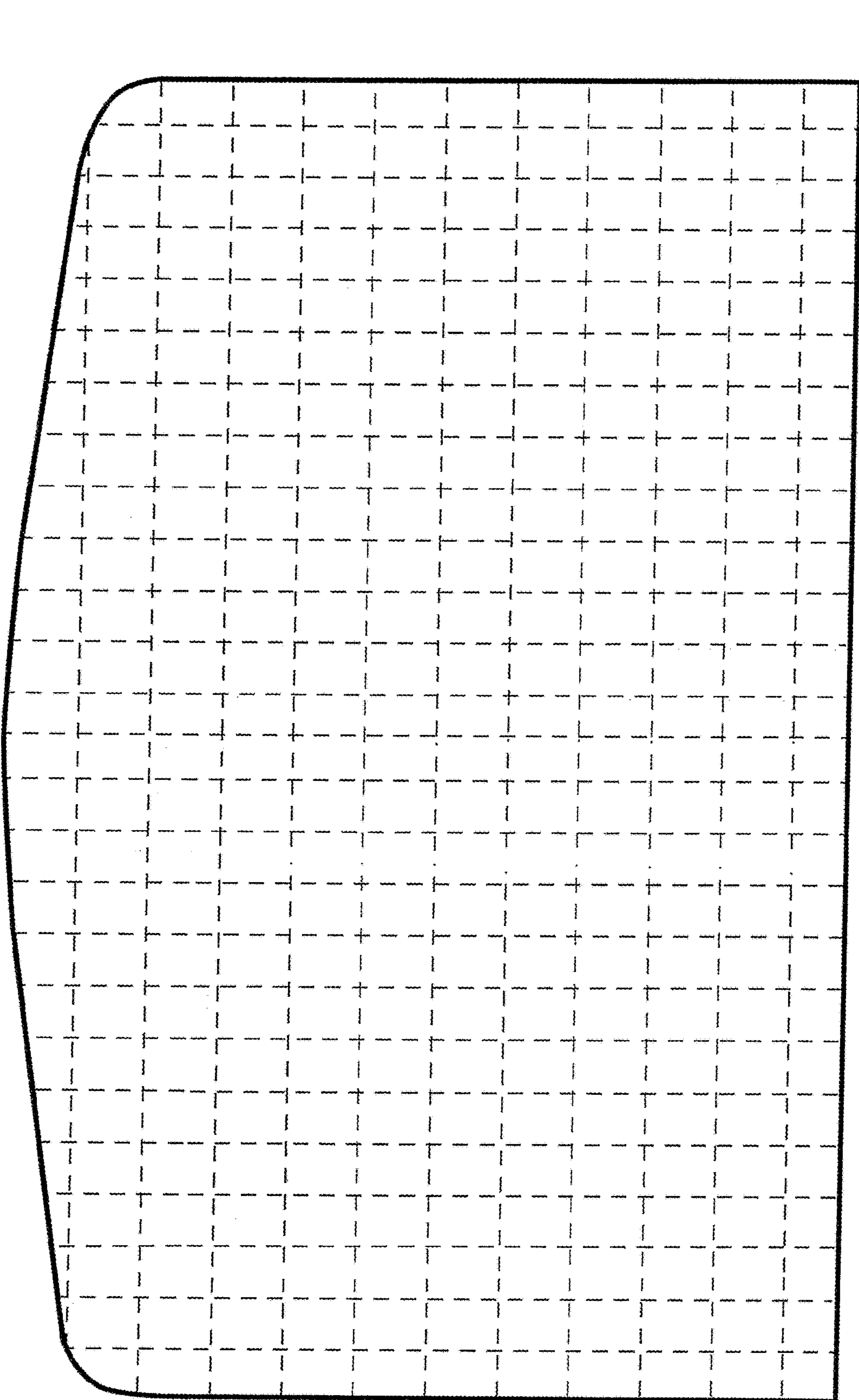


FIGURE 6

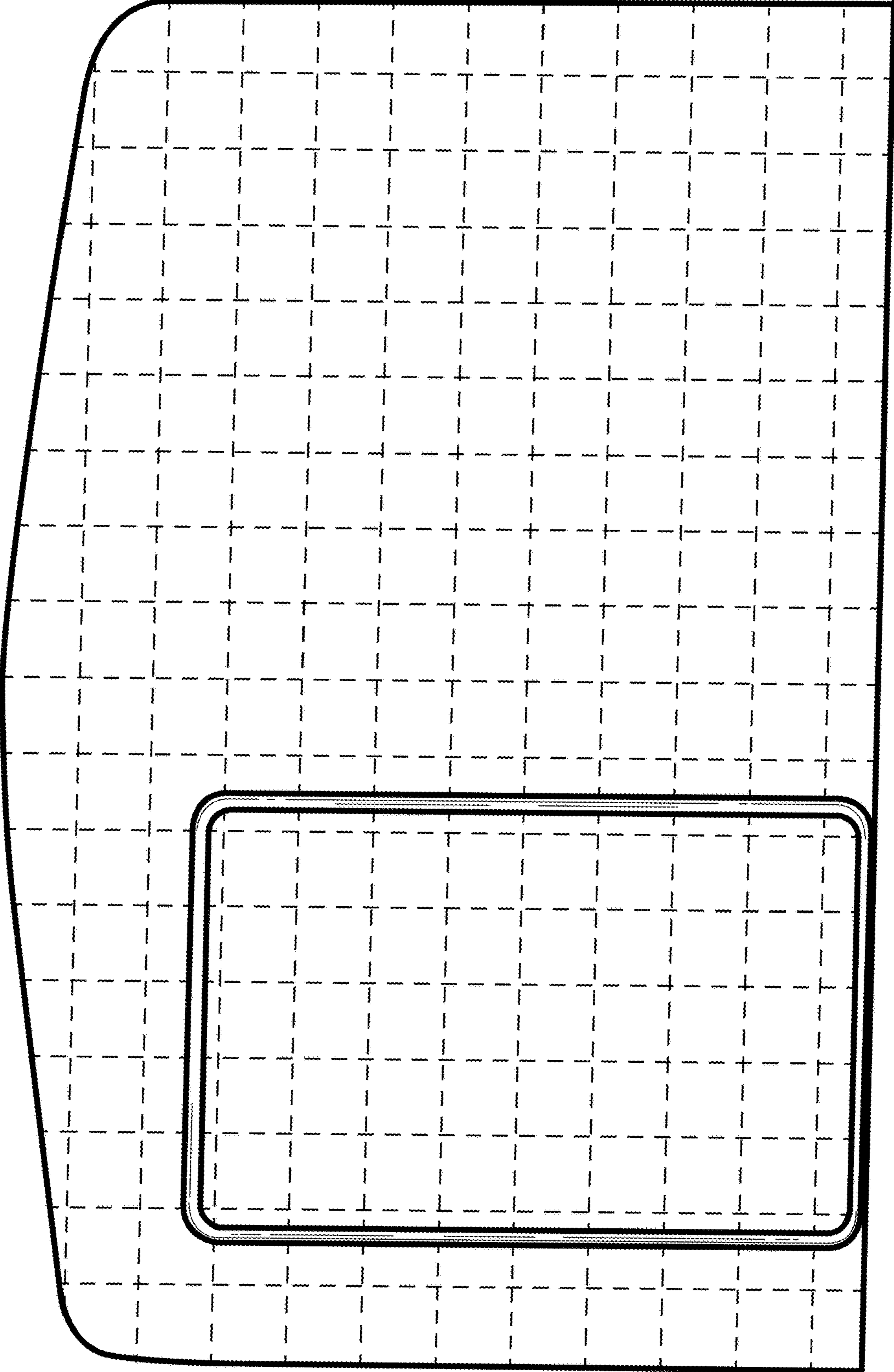


FIGURE 7