



US00D930263S

(12) **United States Design Patent** (10) **Patent No.:** **US D930,263 S**  
**McConnochie et al.** (45) **Date of Patent:** **\*\* Sep. 7, 2021**

(54) **ELEVATED HAMMOCK AND STEPS ASSEMBLY FOR PETS**

4,664,266 A \* 5/1987 Fausett ..... A47B 96/022  
211/87.01

(71) Applicant: **MODRENDESIGN PTY LIMITED**,  
Whitebridge (AU)

D397,832 S 9/1998 Allen  
5,809,933 A \* 9/1998 Conwell, III ..... A01K 15/02  
119/28.5

(72) Inventors: **Craig James McConnochie**,  
Whitebridge (AU); **Natalie McConnochie**,  
Whitebridge (AU)

D431,695 S \* 10/2000 Burt ..... D30/118  
D443,733 S 6/2001 Trahd-Morris  
6,415,464 B1 7/2002 Hsieh  
D589,656 S \* 3/2009 Toltzman ..... D30/118

(Continued)

(73) Assignee: **MODRENDESIGN PTY LIMITED**,  
Whitebridge (AU)

**OTHER PUBLICATIONS**

(\*\*) Term: **15 Years**

7 Ruby Road:Wall Mounted Cat Hammock with Two Steps, posted at amazon.com, earliest date reviewed on May 23, 2020, [online], acquired on Nov. 20, 2020, Available on internet. url:https://www.amazon.com/Ruby-Road-Mounted-Hammock-Steps/dp/B07TDP994D (Year: 2020).\*

(21) Appl. No.: **29/741,351**

(Continued)

(22) Filed: **Jul. 12, 2020**

(51) **LOC (13) Cl.** ..... **30-02**

(52) **U.S. Cl.**  
USPC ..... **D30/108**

(58) **Field of Classification Search**  
USPC ..... D30/108-120; D3/201, 203.1, 203.6,  
D3/203.7, 213, 216, 217, 232, 235, 242,  
D3/243, 245-246, 273, 276, 269, 271.2,  
D3/274, 283, 289-290, 301, 303, 900,  
D3/902, 904  
CPC ... A01K 1/00; A01K 1/01; A01K 1/02; A01K  
1/03; A01K 5/00; A01K 29/00; A01K  
31/00; A01K 31/06; A01K 31/07; A01K  
31/08; A01K 31/14; A01K 31/18; A47K  
11/02; A45C 3/00; A45C 3/06; A45C  
2003/008; A45C 2003/007; A45F 3/00;  
A45F 3/04; A45F 3/02

See application file for complete search history.

*Primary Examiner* — Aula Soroush

(74) *Attorney, Agent, or Firm* — Brett A. Schenck

(57) **CLAIM**

The ornamental design for an elevated hammock and steps assembly for pets, as shown and described.

**DESCRIPTION**

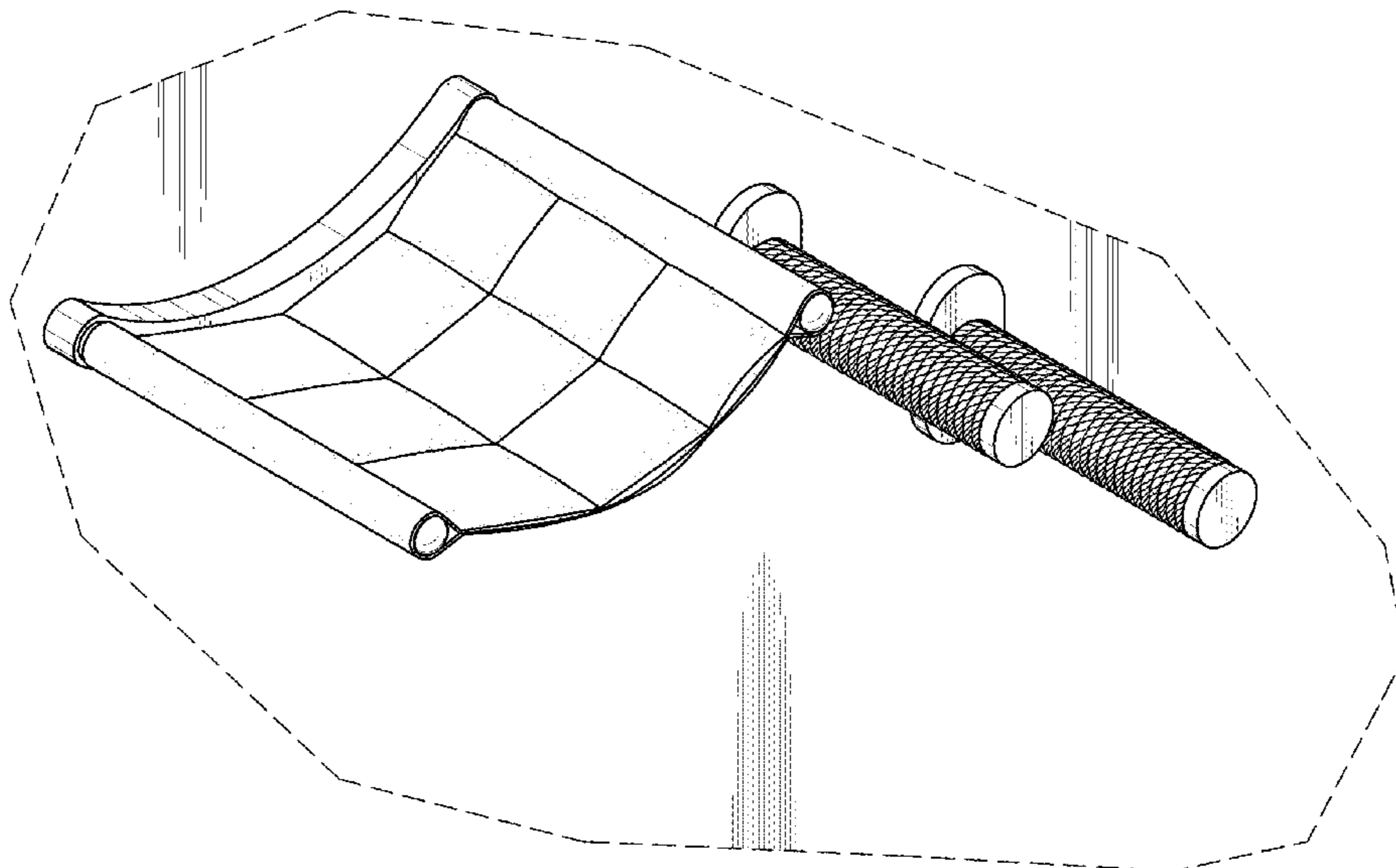
FIG. 1 is a top right perspective view of an elevated hammock and steps for pets, showing my new design; FIG. 2 is a top plan view thereof; FIG. 3 is a front elevation view thereof; FIG. 4 is a left side elevation view thereof; FIG. 5 is a right side elevation view thereof; and, FIG. 6 is a bottom plan view thereof. The even length broken lines in the drawings depict portions of the elevated hammock and steps for pets that form no part of the claimed design.

(56) **References Cited**

**U.S. PATENT DOCUMENTS**

3,215,387 A \* 11/1965 Thompson ..... A47B 96/061  
248/224.7  
3,565,040 A \* 2/1971 Pohl ..... A01K 1/0353  
119/28.5

**1 Claim, 4 Drawing Sheets**



(56)

**References Cited**

U.S. PATENT DOCUMENTS

7,614,363 B2 \* 11/2009 Di Angelo ..... A01K 1/033  
119/28.5  
7,712,163 B2 \* 5/2010 Flannery ..... A47C 17/72  
5/114  
7,934,470 B1 \* 5/2011 Barker ..... A01K 15/024  
119/28.5  
D695,467 S 12/2013 Krejci  
8,919,284 B2 12/2014 Wolfe, Jr. et al.  
D766,522 S \* 9/2016 Reiger ..... D30/118  
9,924,697 B1 \* 3/2018 Koskey, Jr. .... E06B 7/28

OTHER PUBLICATIONS

Catsplay, “Cat Hammock—Wall Mounted Cat Bed—Cream”, available on Jun. 28, 2019, site visited on Jun. 26, 2020, Available from internet0 <URL: <https://www.catwallshelves.com/cat-hammock-wall-bed-cream>.

Archie & Oscar Gabby, “Cat Perch” (via wayfair.com), available on Jun. 25, 2019, site visited on Jun. 26, 2020, Available from internet, <URL: <https://www.wayfair.com/pet/pdp/archie-oscar-gabby-cat-perch-aoscl610.html?piid=43629545>.

\* cited by examiner

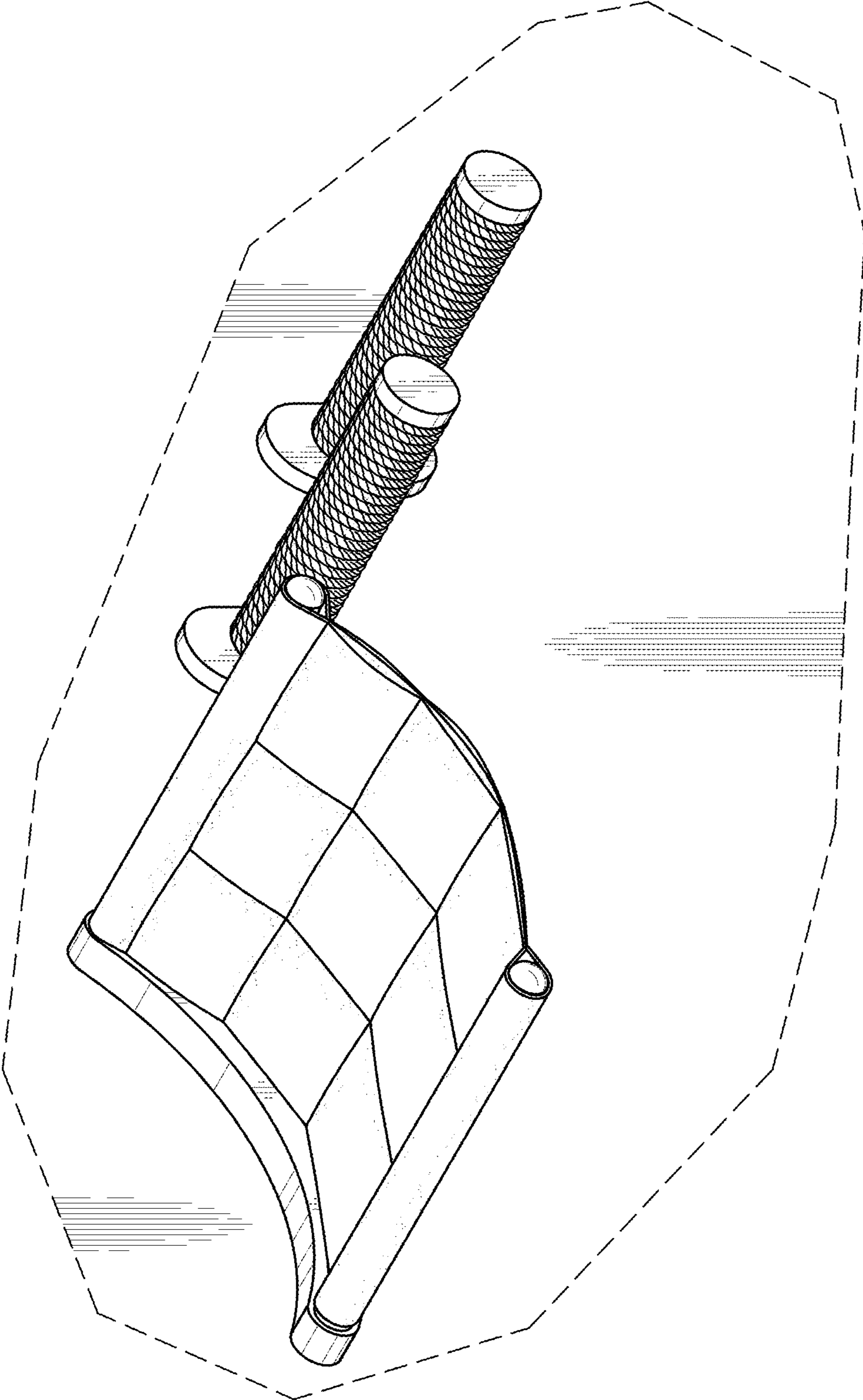
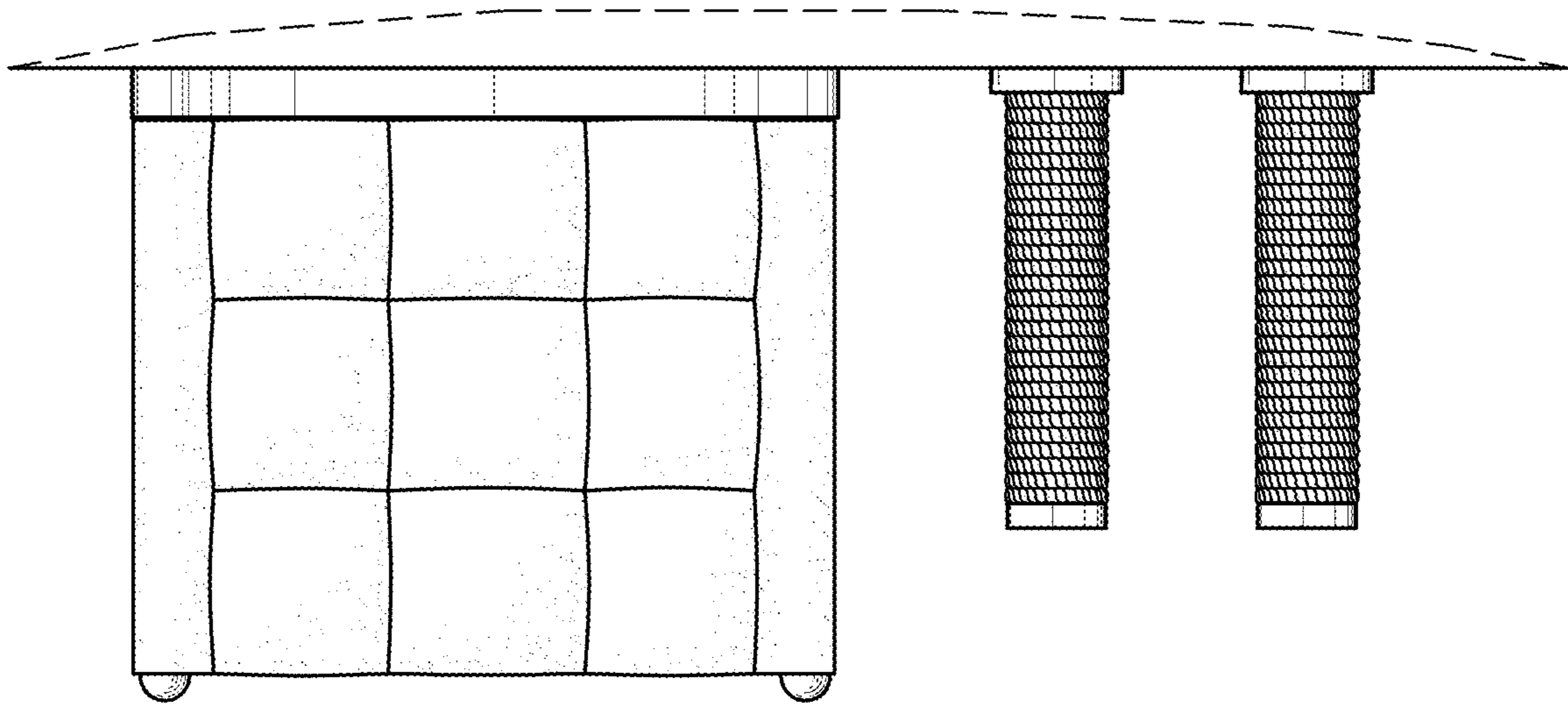
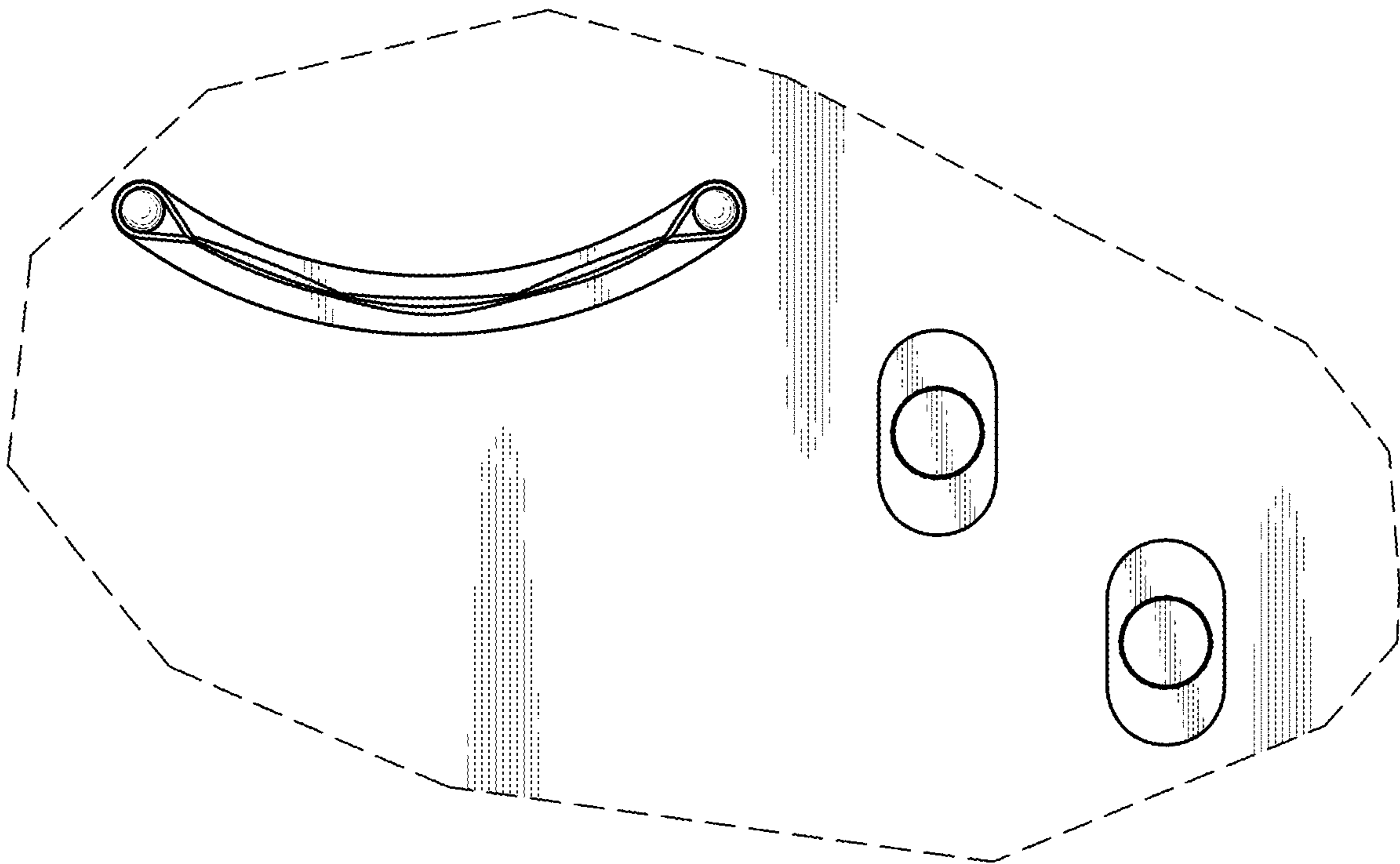


FIG. 1

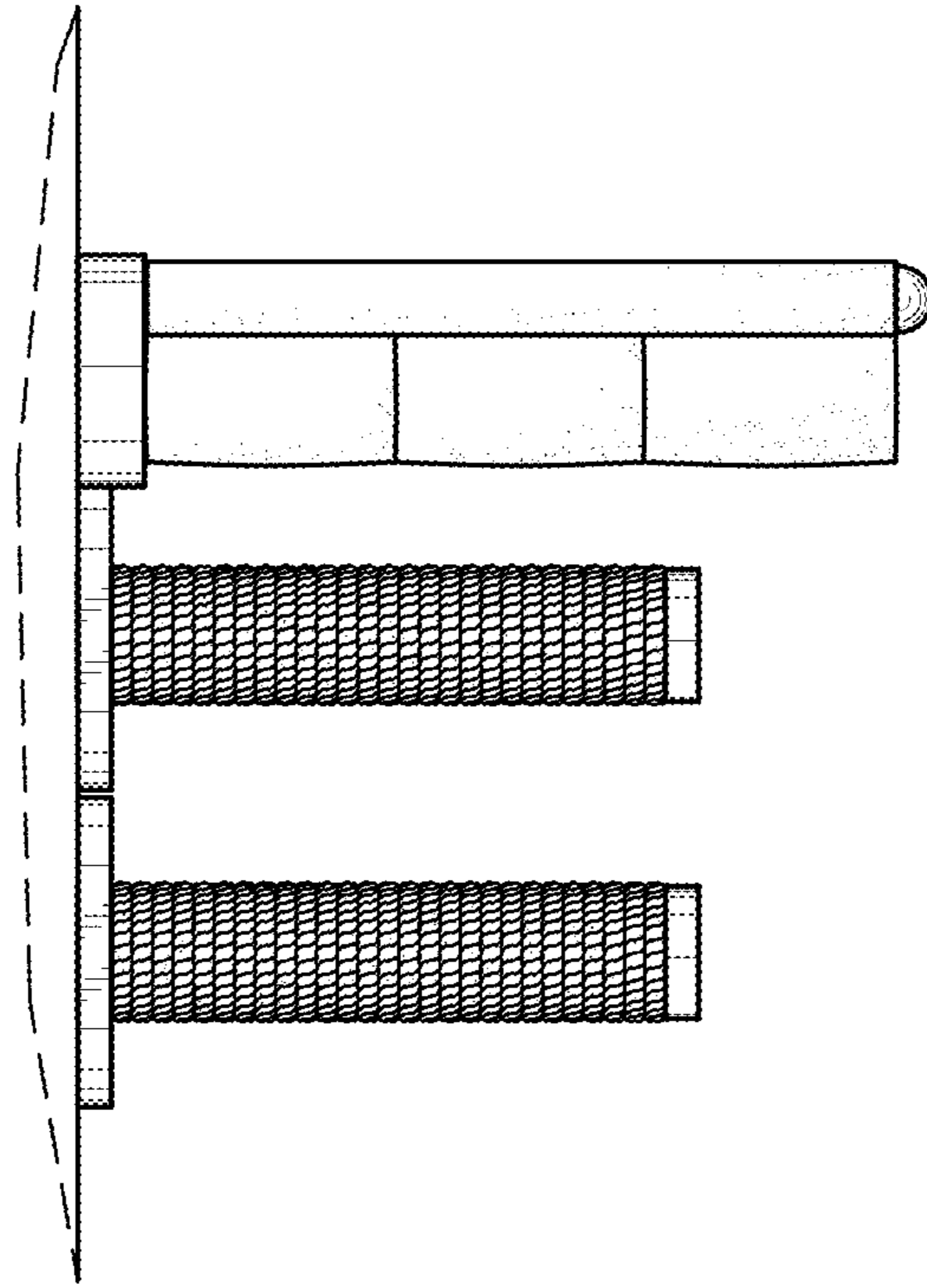


**FIG. 2**

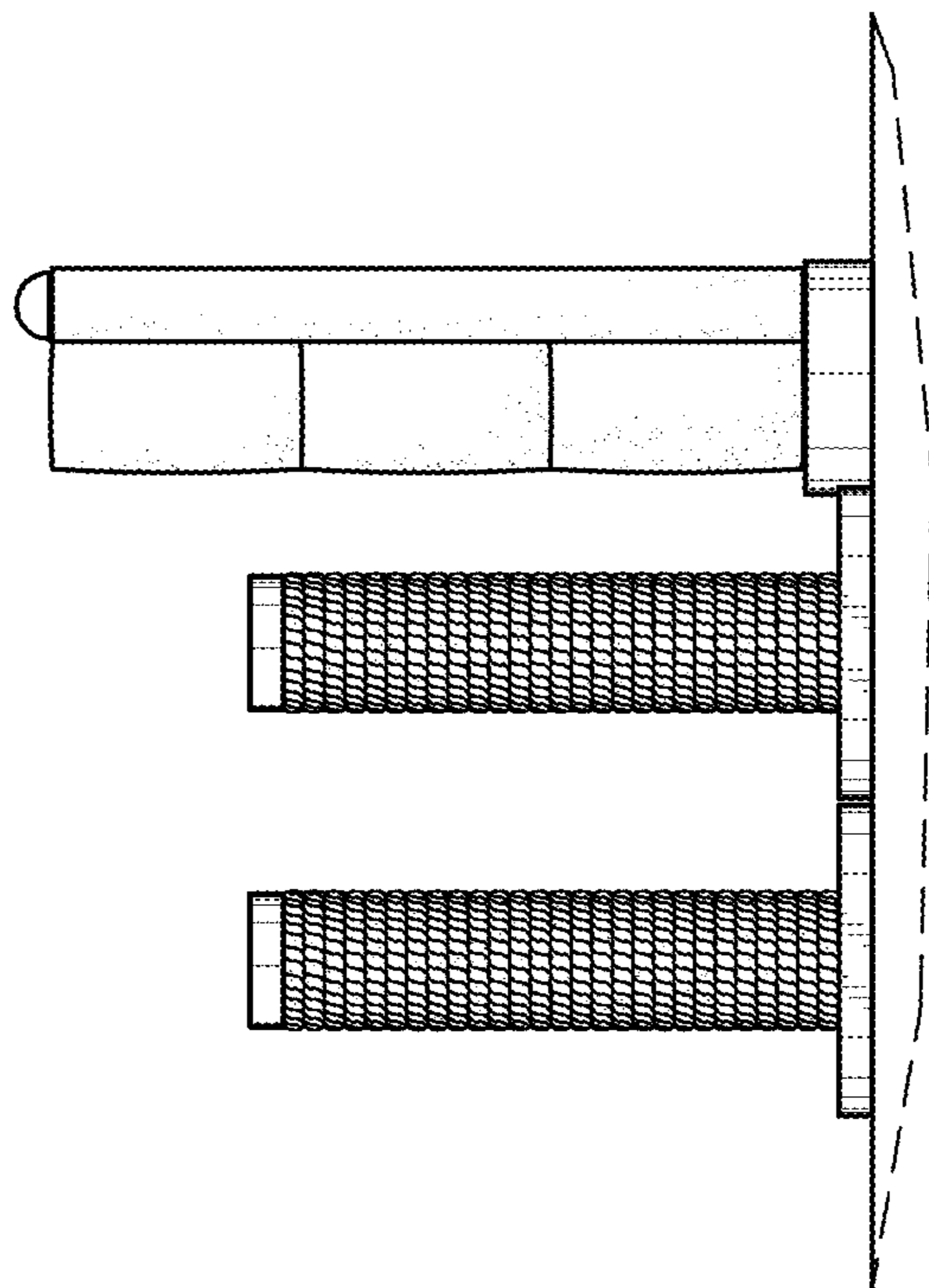


**FIG. 3**

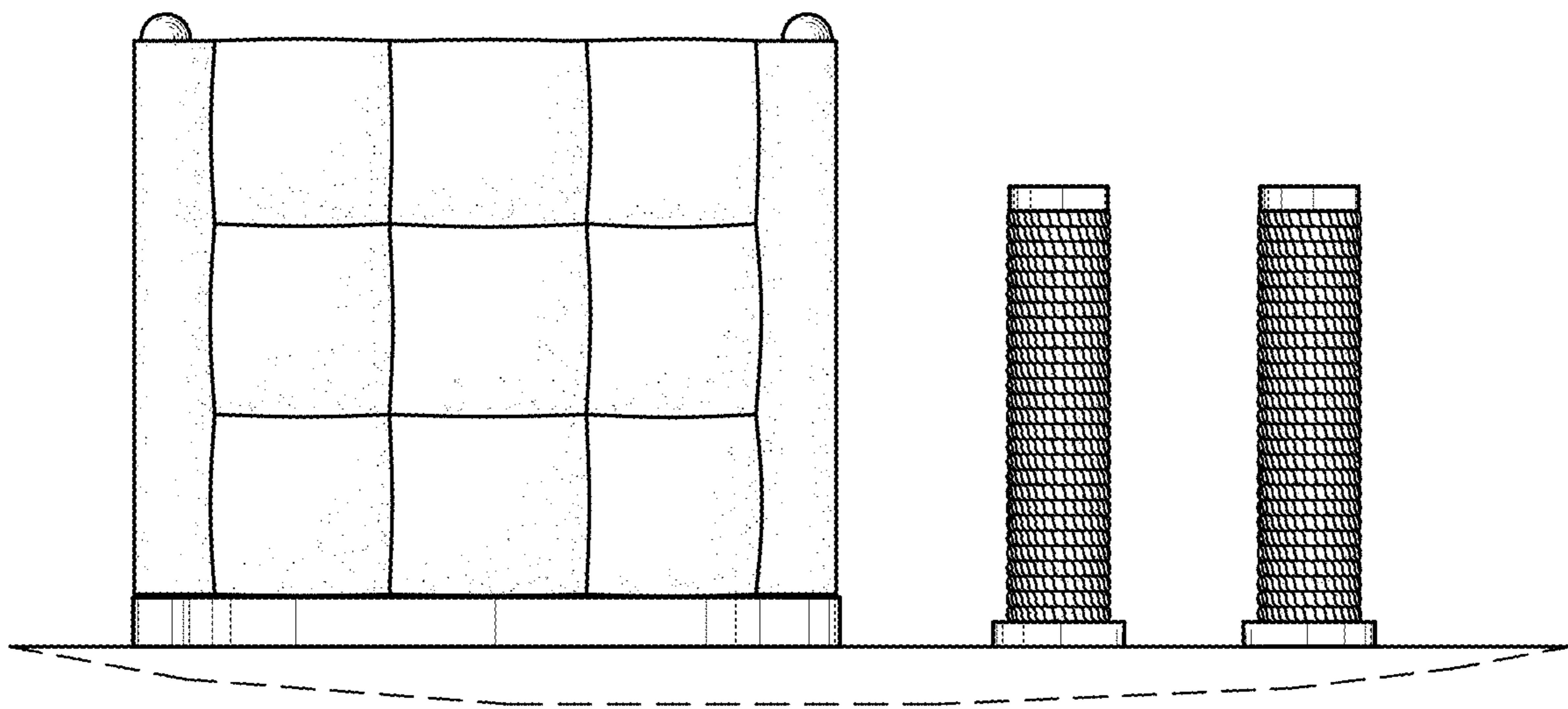




**FIG. 4**



**FIG. 5**



**FIG. 6**