



US00D930262S

(12) **United States Design Patent** (10) **Patent No.:** **US D930,262 S**
Chaudhry et al. (45) **Date of Patent:** **** Sep. 7, 2021**

(54) **PET CARRIER**

(56) **References Cited**

(71) Applicants: **Muhammad Bilal Chaudhry**,
Mississauga (CA); **Suhaib Sajjad**,
Oakville (CA)

U.S. PATENT DOCUMENTS

(72) Inventors: **Muhammad Bilal Chaudhry**,
Mississauga (CA); **Suhaib Sajjad**,
Oakville (CA)

4,830,154	A	5/1989	Gerch et al.	
5,671,697	A	9/1997	Rutman	
D398,083	S *	9/1998	Martz	D3/273
D523,995	S *	6/2006	Knittle	D30/109
D548,408	S *	8/2007	Martz	D3/273
7,665,421	B2 *	2/2010	Martz	A01K 1/0254 119/497
D662,264	S *	6/2012	Chau	D30/109
D724,792	S *	3/2015	Renforth	D30/109
D804,738	S *	12/2017	Nourollah	D30/109
D808,084	S *	1/2018	Lu	D30/109
D818,204	S *	5/2018	Renforth	D30/109
D886,389	S *	6/2020	Lu	D30/109
2007/0169719	A1	7/2007	Chang	
2008/0245312	A1	10/2008	Leung et al.	

(**) Term: **15 Years**

(21) Appl. No.: **29/718,515**

(22) Filed: **Dec. 25, 2019**

Related U.S. Application Data

(63) Continuation-in-part of application No. 16/034,621,
filed on Jul. 13, 2018.

(51) **LOC (13) Cl.** **30-02**

(52) **U.S. Cl.**
USPC **D30/108**

(58) **Field of Classification Search**
USPC D30/108-120; D3/201, 203.1, 203.6,
D3/203.7, 213, 216, 217, 232, 235, 242,
D3/243, 245-246, 273, 276, 269, 271.2,
D3/274, 283, 289-290, 301, 303, 900,
D3/902, 904

CPC ... A01K 1/00; A01K 1/01; A01K 1/02; A01K
1/03; A01K 31/00; A01K 31/06; A01K
31/70; A01K 31/08; A01K 31/14; A01K
31/18; A01K 5/00; A01K 29/00; A47K
11/02; A45C 3/00; A45C 3/06; A45C
2003/008; A45C 2003/007; A45F 3/00;
A45F 3/04; A45F 3/02

See application file for complete search history.

* cited by examiner

Primary Examiner — Aula Soroush

(74) *Attorney, Agent, or Firm* — Boudwin Intellectual
Property; Daniel Boudwin

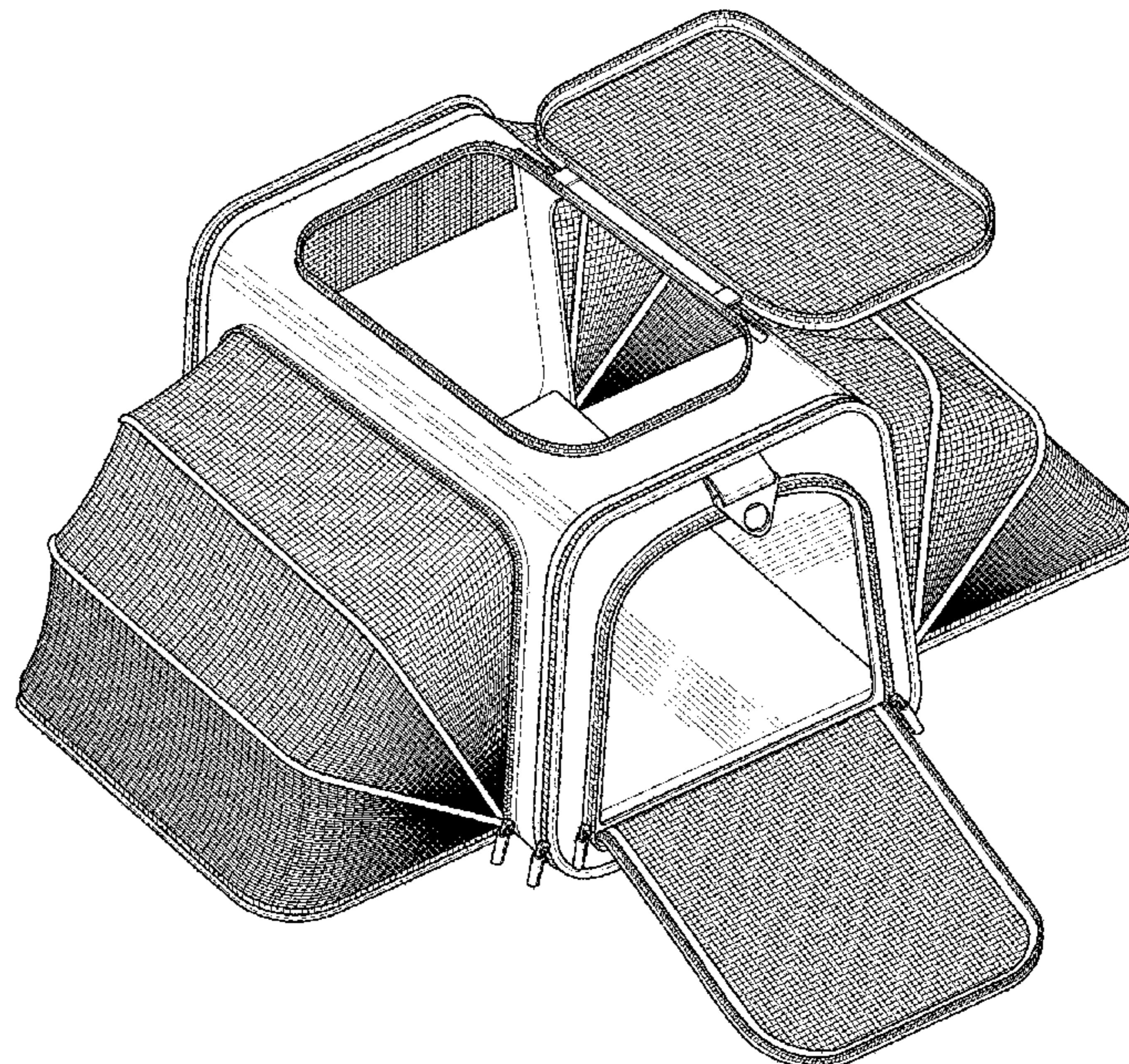
(57) **CLAIM**

The ornamental design for a pet carrier, as shown and
described.

DESCRIPTION

FIG. 1 shows a perspective view of a pet carrier, in an open
and expanded configuration;
FIG. 2 shows a perspective view of the pet carrier, in a
closed configuration;
FIG. 3 shows a front view of the pet carrier;
FIG. 4 shows a rear view of the pet carrier;
FIG. 5 shows a right side view of the pet carrier;
FIG. 6 shows a left side view of the pet carrier;
FIG. 7 shows a top plan view of the pet carrier; and,
FIG. 8 shows a bottom plan view of the pet carrier.

1 Claim, 6 Drawing Sheets



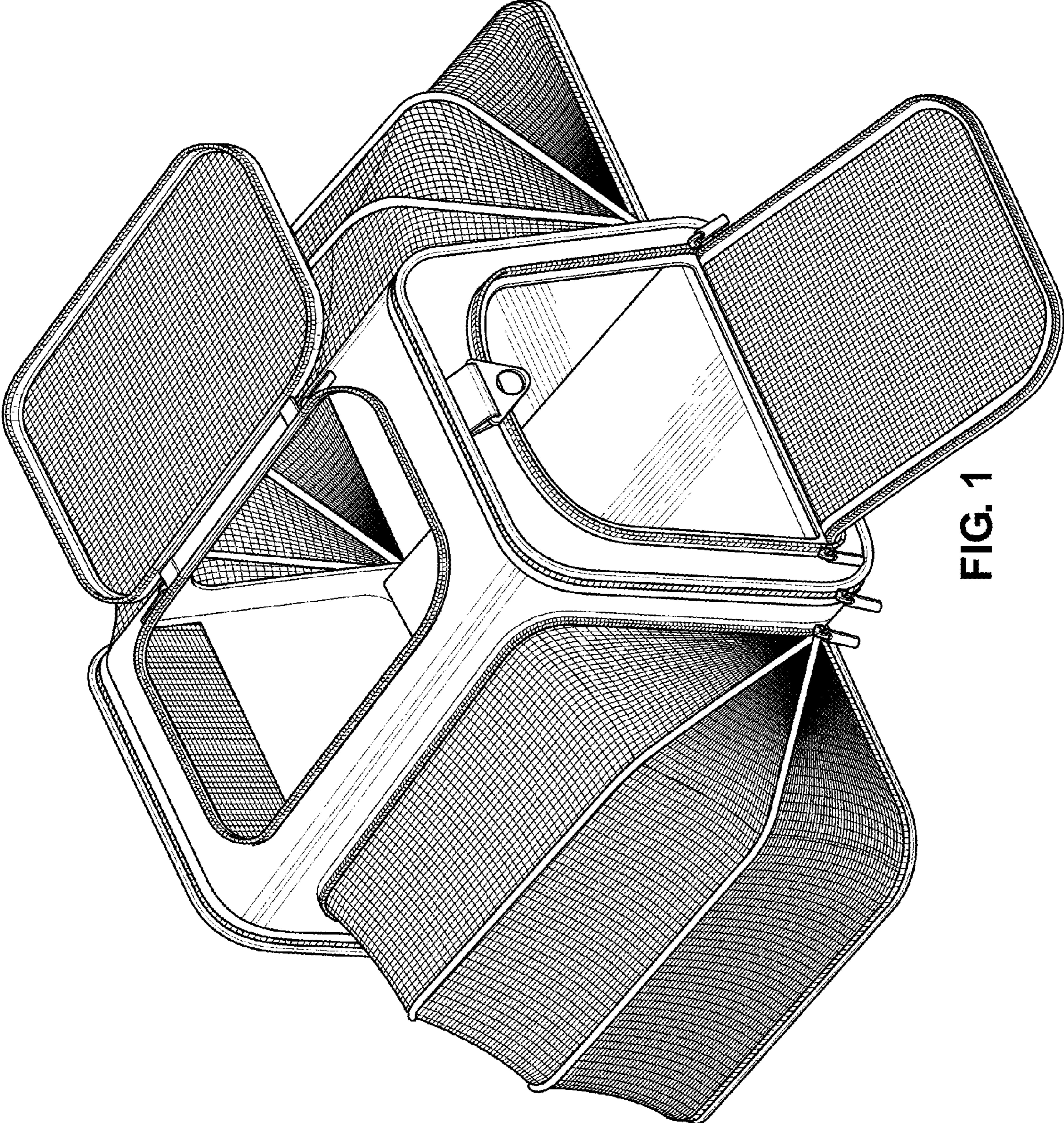


FIG. 1

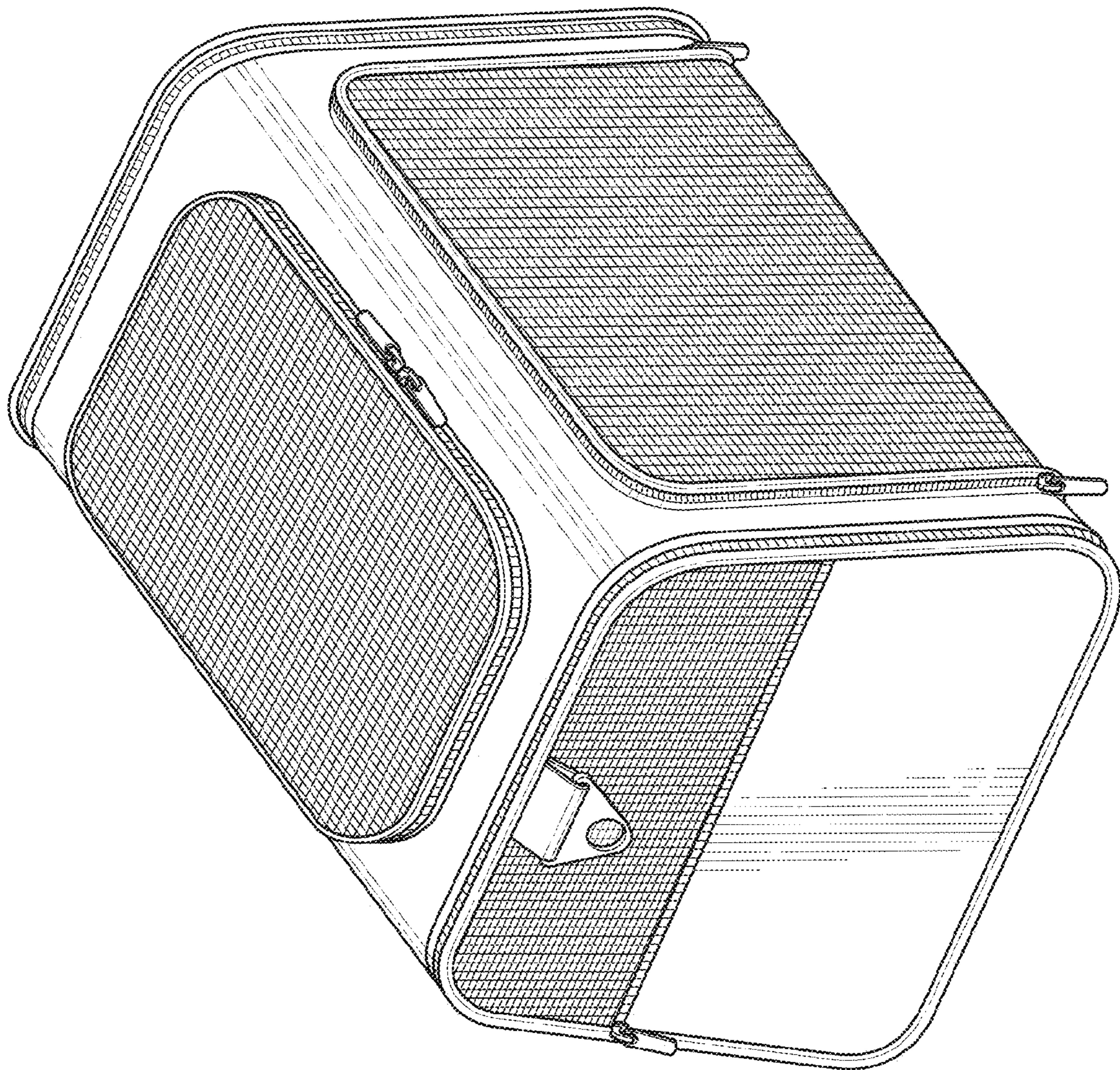


FIG. 2

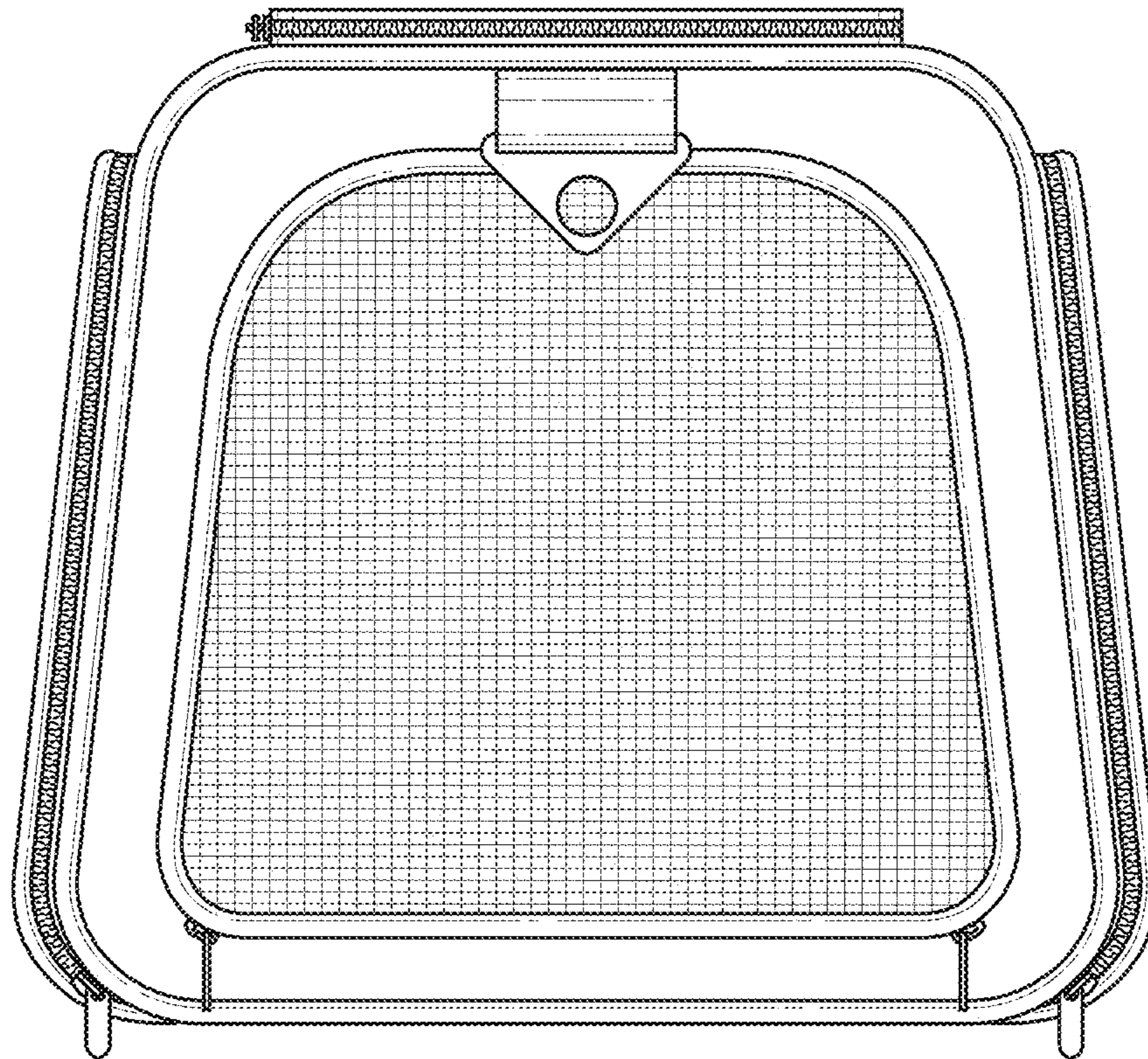


FIG. 3

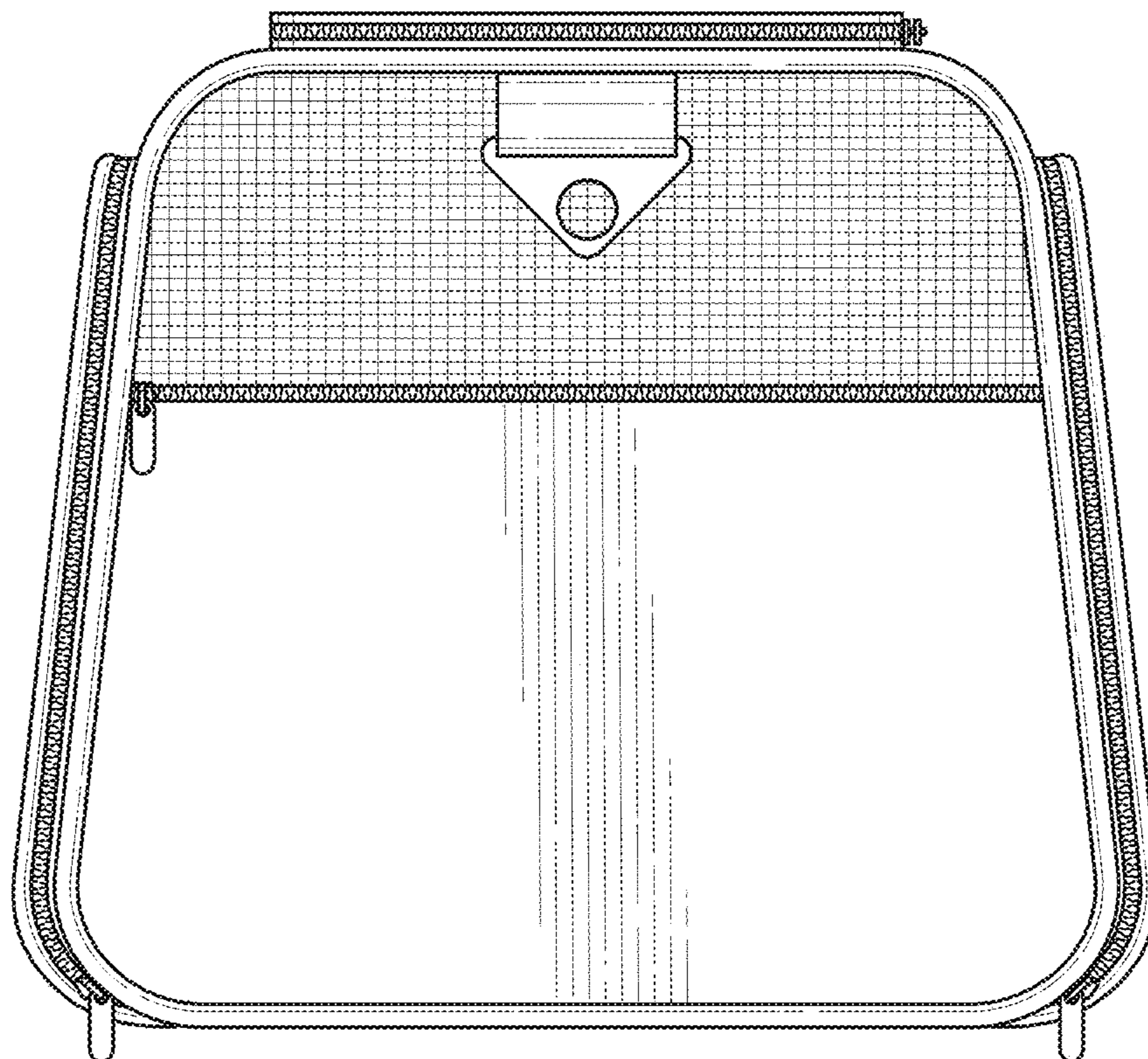


FIG. 4

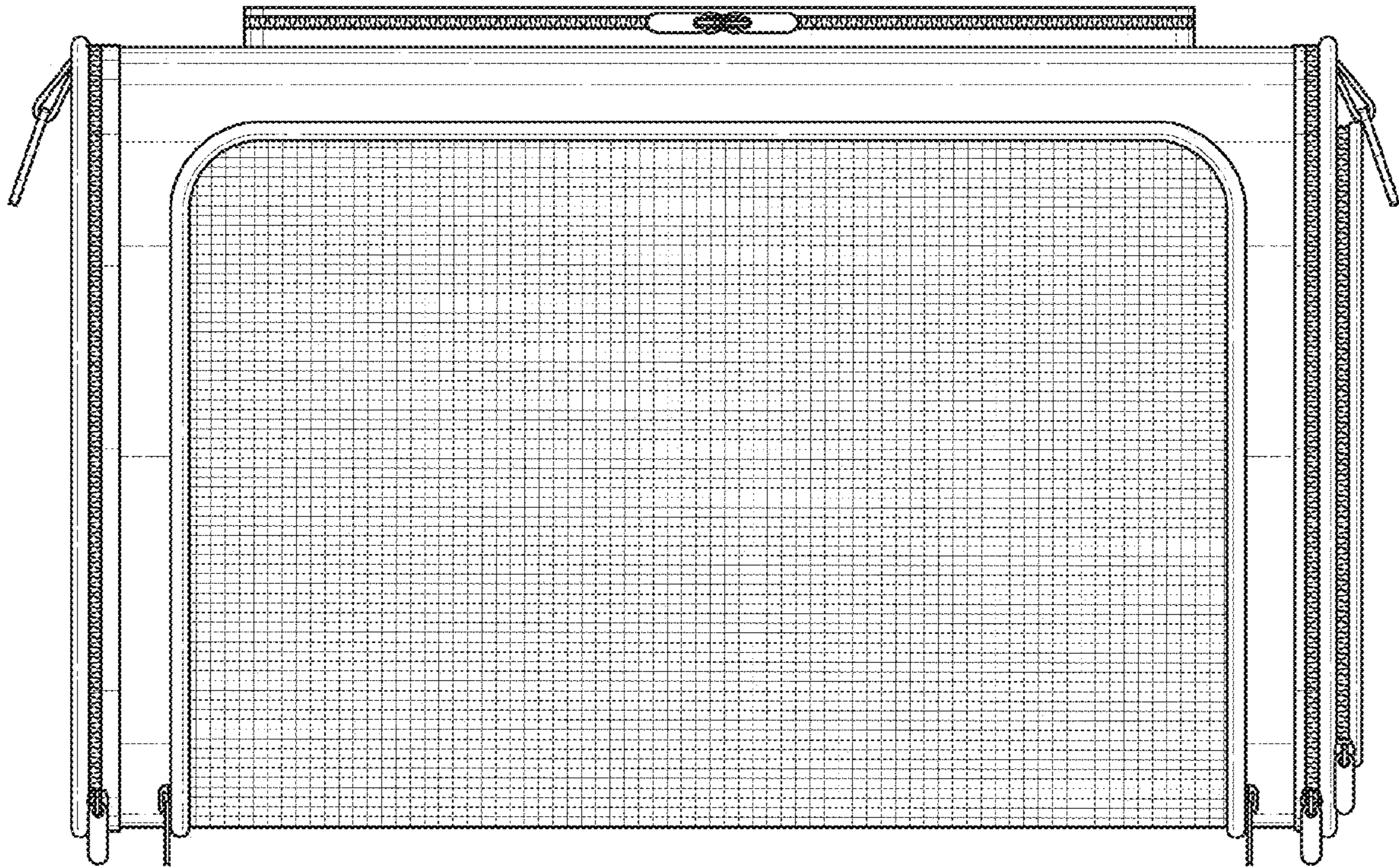


FIG. 5

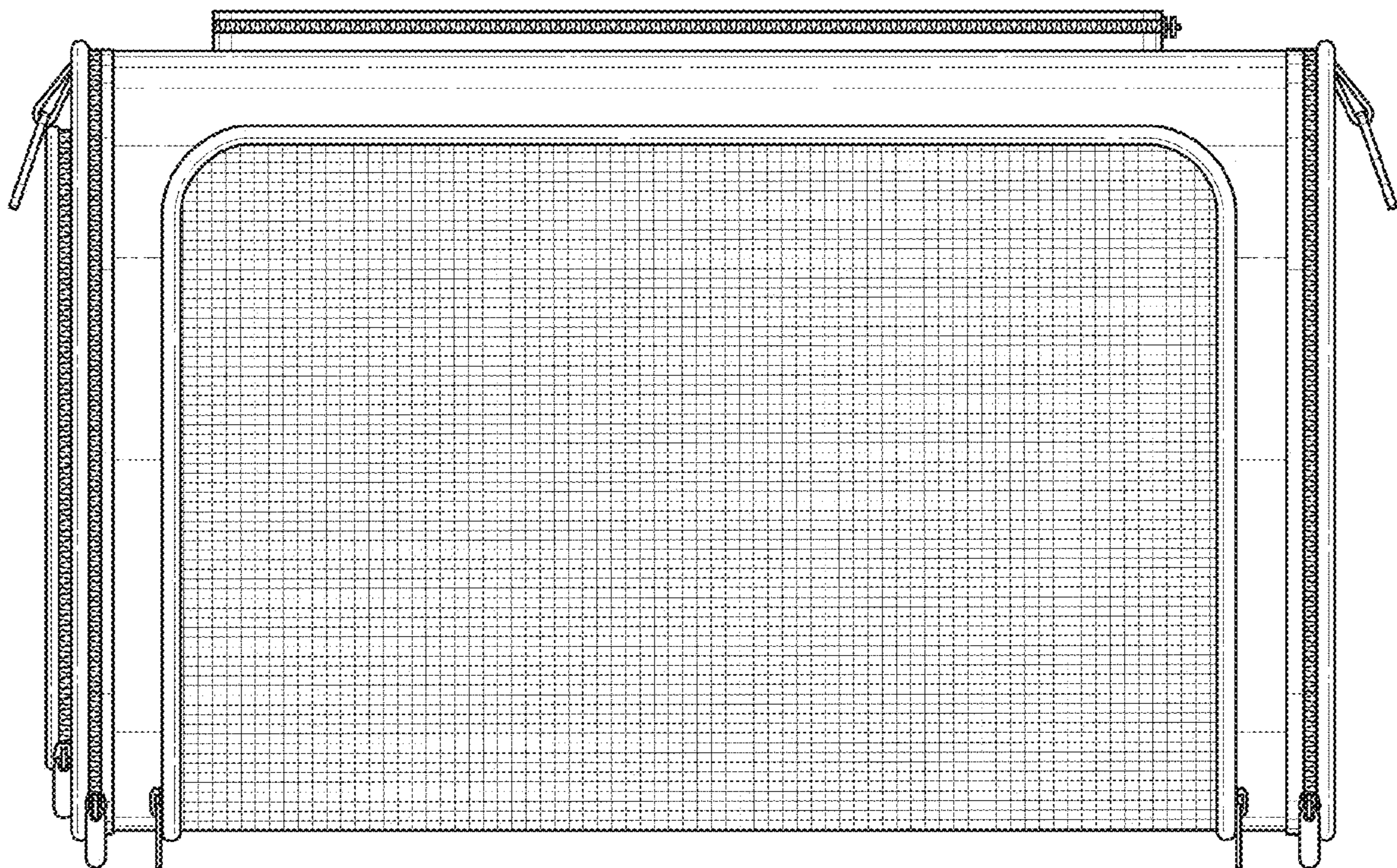


FIG. 6

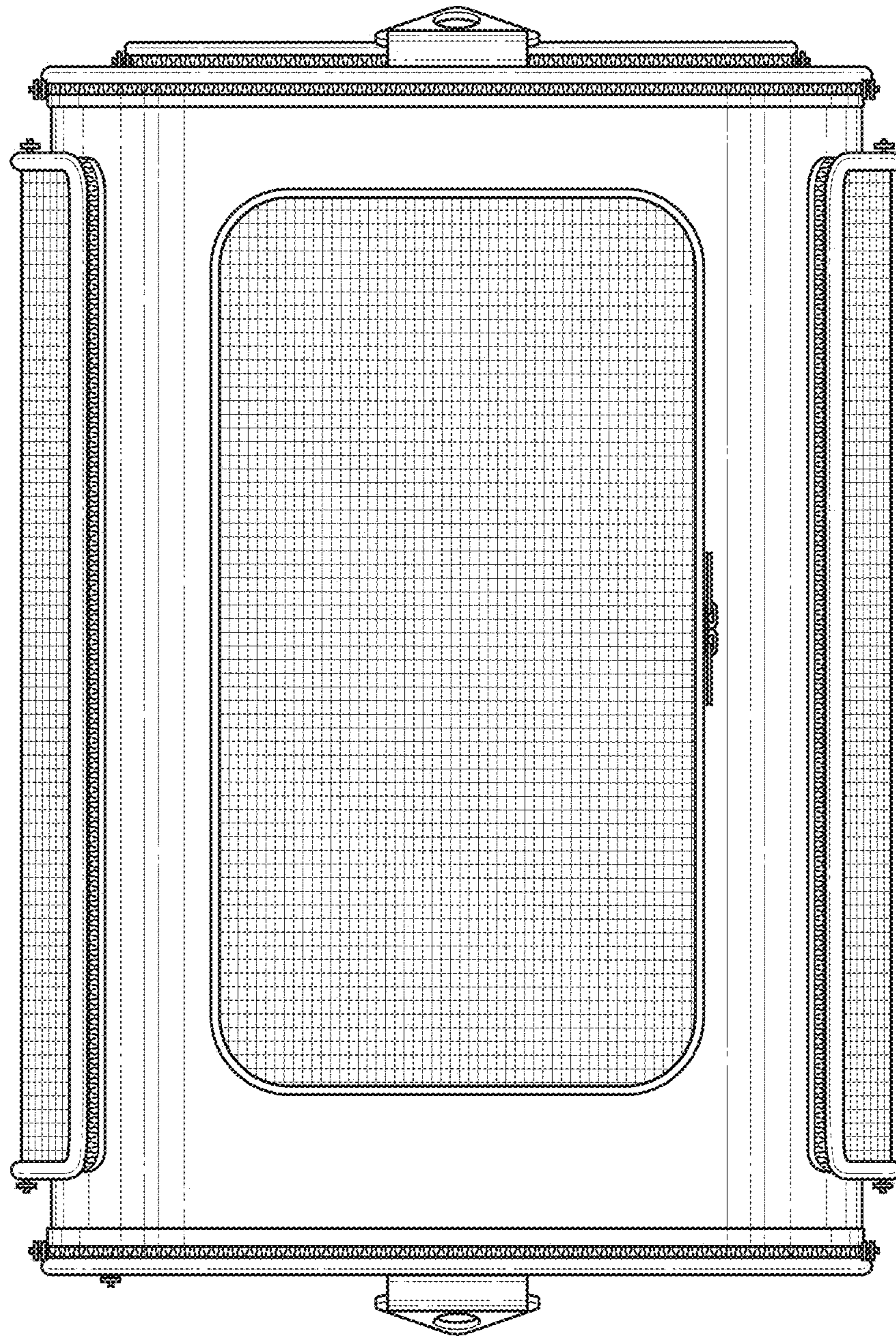


FIG. 7

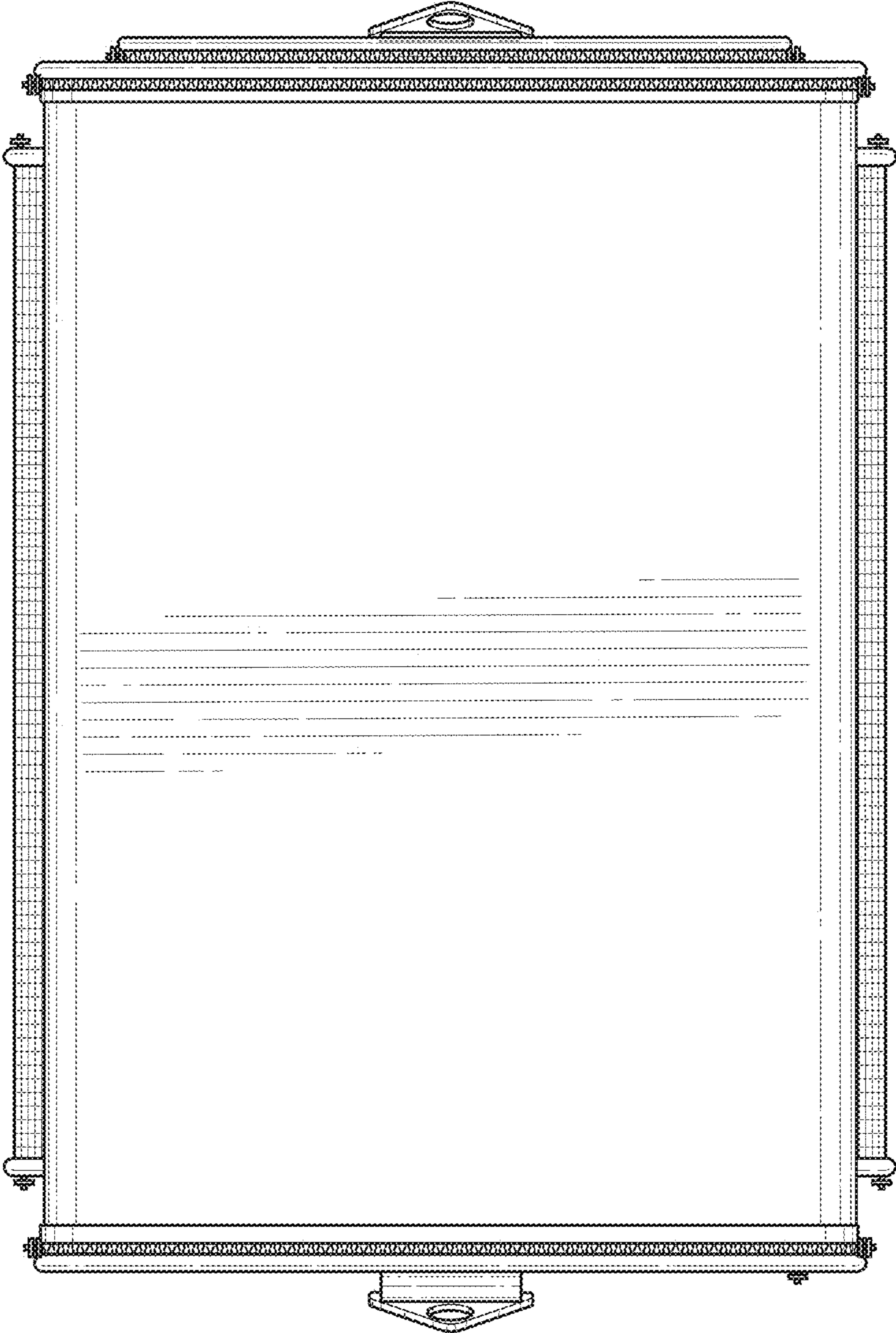


FIG. 8