



US00D930260S

(12) **United States Design Patent**
Kellogg et al.

(10) **Patent No.:** **US D930,260 S**

(45) **Date of Patent:** **** Sep. 7, 2021**

- (54) **PET CARRIER**
- (71) Applicant: **SPORTPET DESIGNS, INC.**,
Waukesha, WI (US)
- (72) Inventors: **Adam Kellogg**, Oconomowoc, WI
(US); **Miles Harvey**, Brookfield, WI
(US)
- (73) Assignee: **SPORTPET DESIGNS, INC.**,
Waukesha, WI (US)
- (**) Term: **15 Years**
- (21) Appl. No.: **29/686,287**
- (22) Filed: **Apr. 3, 2019**
- (51) **LOC (13) Cl.** **30-02**
- (52) **U.S. Cl.**
USPC **D30/108**
- (58) **Field of Classification Search**
USPC D30/108-120; D3/304; D9/430
CPC ... A01K 1/00; A01K 1/02; A01K 1/03; A01K
1/033; A01K 1/034; A01K 1/035; A01K
1/0254; A01K 1/011; A01K 1/0107;
A01K 1/0125; A01K 1/0121
See application file for complete search history.
- (56) **References Cited**
U.S. PATENT DOCUMENTS

960,199 A * 5/1910 Roy A01K 1/03
119/481
D331,131 S * 11/1992 Quillen D30/109

- 5,887,436 A * 3/1999 Duddleston A01K 1/0236
119/500
- 7,438,022 B2 * 10/2008 Mirsky A01K 1/0245
119/497
- D612,999 S * 3/2010 Migita D30/108
- D665,951 S * 8/2012 Lloyd D30/109
- D705,996 S * 5/2014 Renforth D30/108
- D720,503 S * 12/2014 Lloyd D30/109
- D844,257 S * 3/2019 Fasana D30/109
- D849,333 S * 5/2019 Laicheng D30/109

* cited by examiner

Primary Examiner — Aula Soroush

(74) *Attorney, Agent, or Firm* — Michael Best &
Friedrich LLP

(57) **CLAIM**

We claim the ornamental design for a pet carrier, as shown
and described.

DESCRIPTION

FIG. 1 is a perspective view of a pet carrier showing our new
design.

FIG. 2 is a front elevation view of the pet carrier of FIG. 1.

FIG. 3 is a rear elevation view of the pet carrier of FIG. 1.

FIG. 4 is a left side elevation view of the pet carrier of FIG.
1.

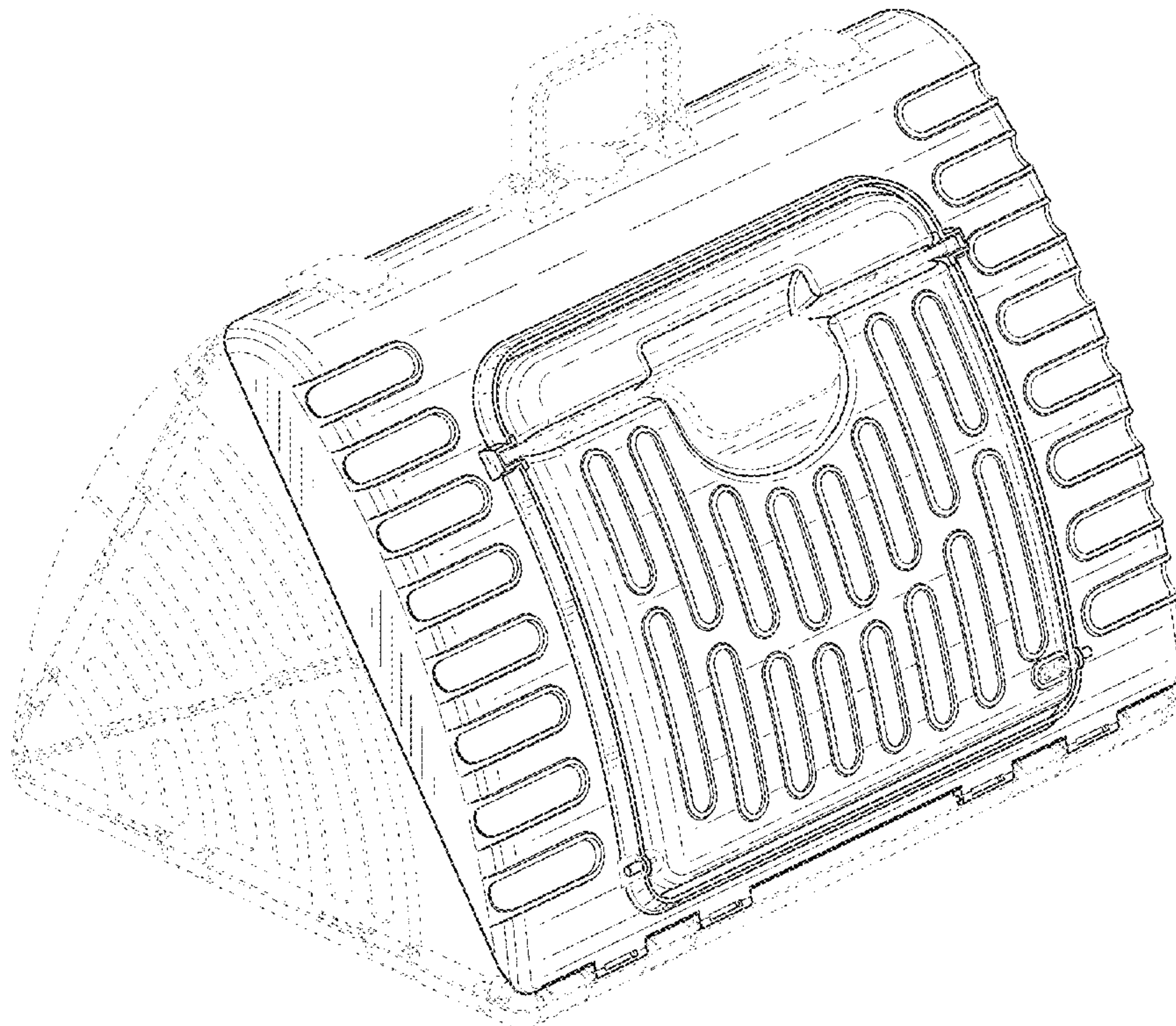
FIG. 5 is a right side elevation view of the pet carrier of FIG.
1.

FIG. 6 is a top plan view of the pet carrier of FIG. 1; and,

FIG. 7 is a bottom plan view of the pet carrier of FIG. 1.

The broken lines in the drawings illustrate portions of the pet
carrier that form no part of the claimed design.

1 Claim, 7 Drawing Sheets



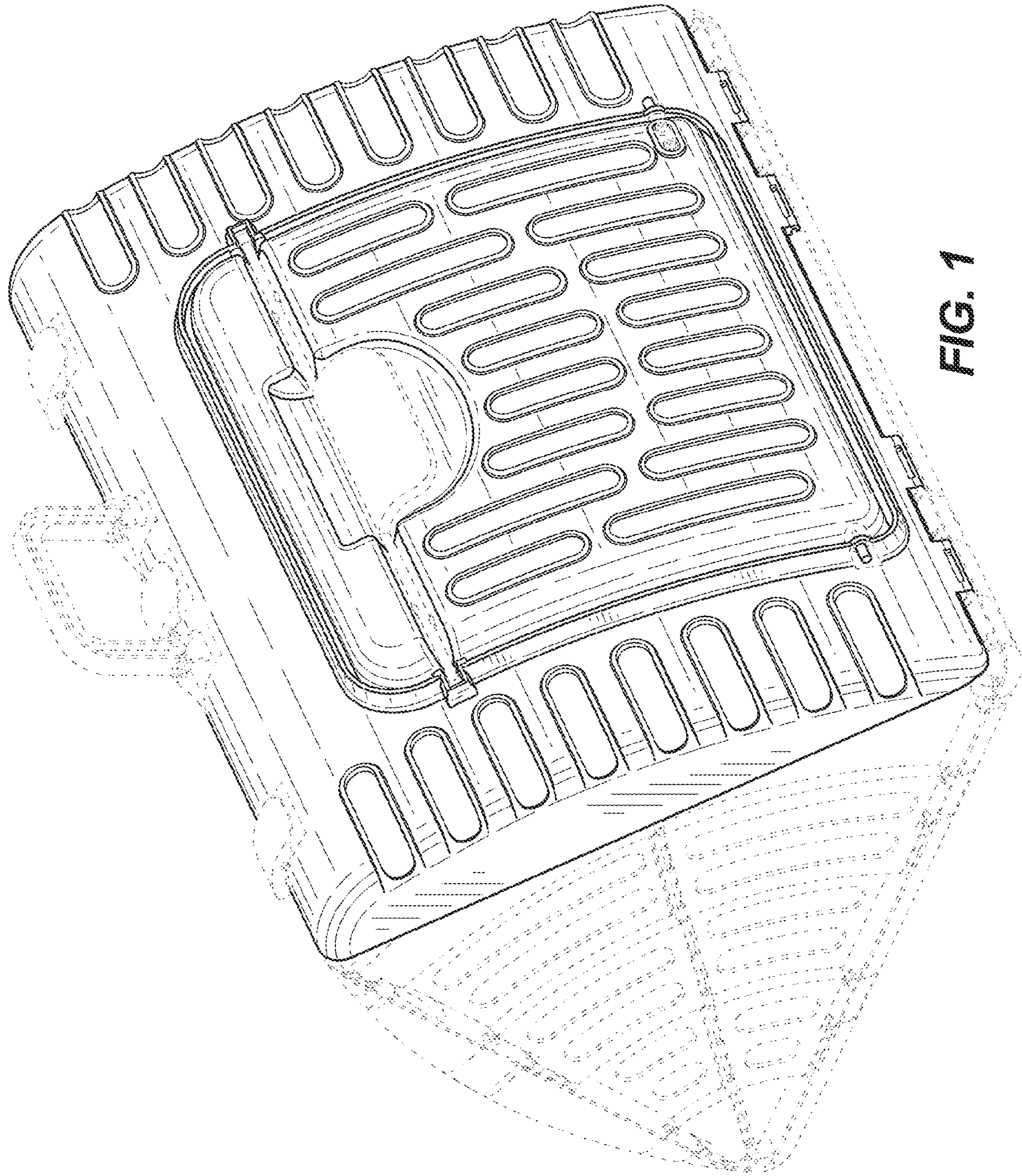


FIG. 1

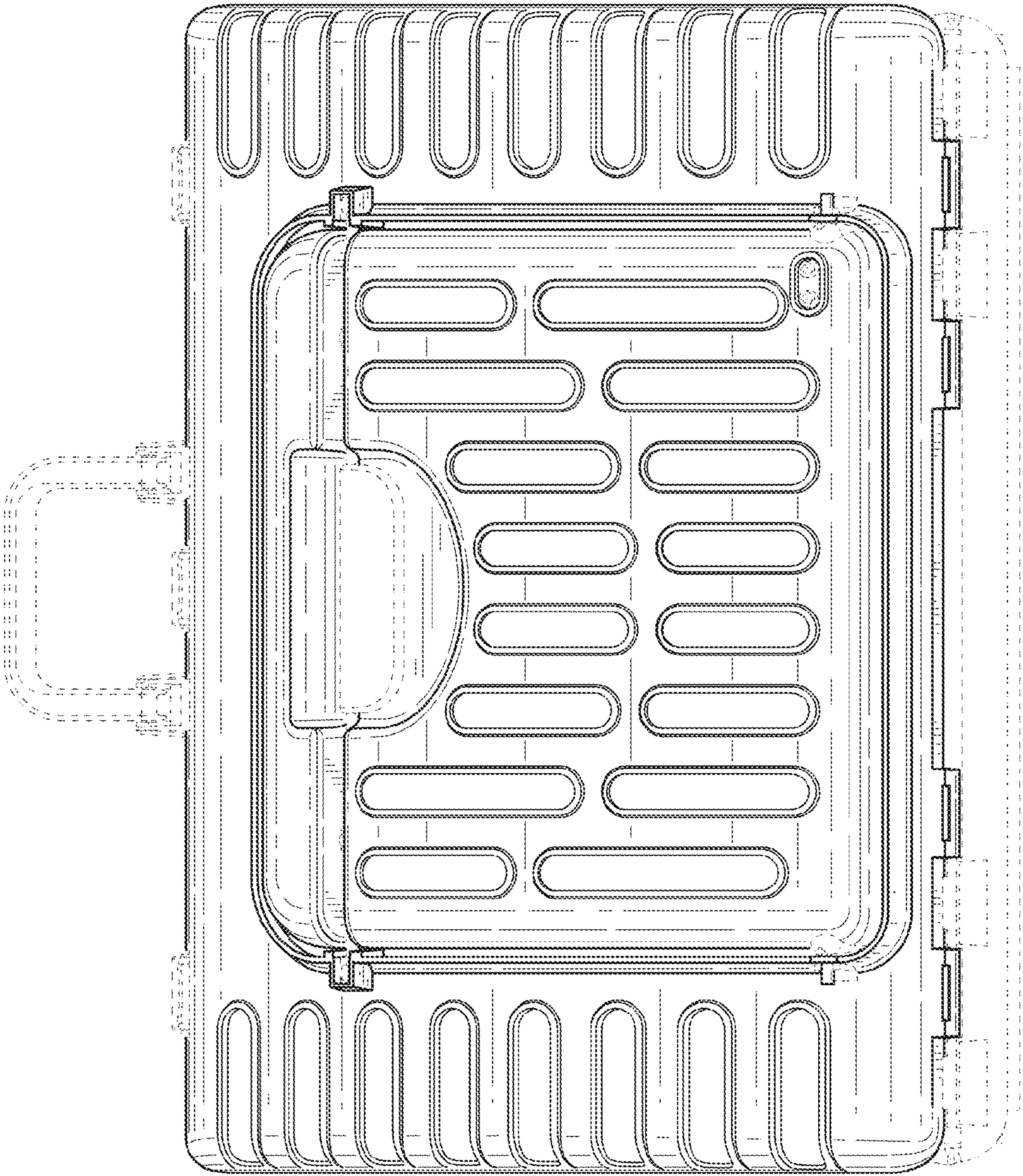


FIG. 2

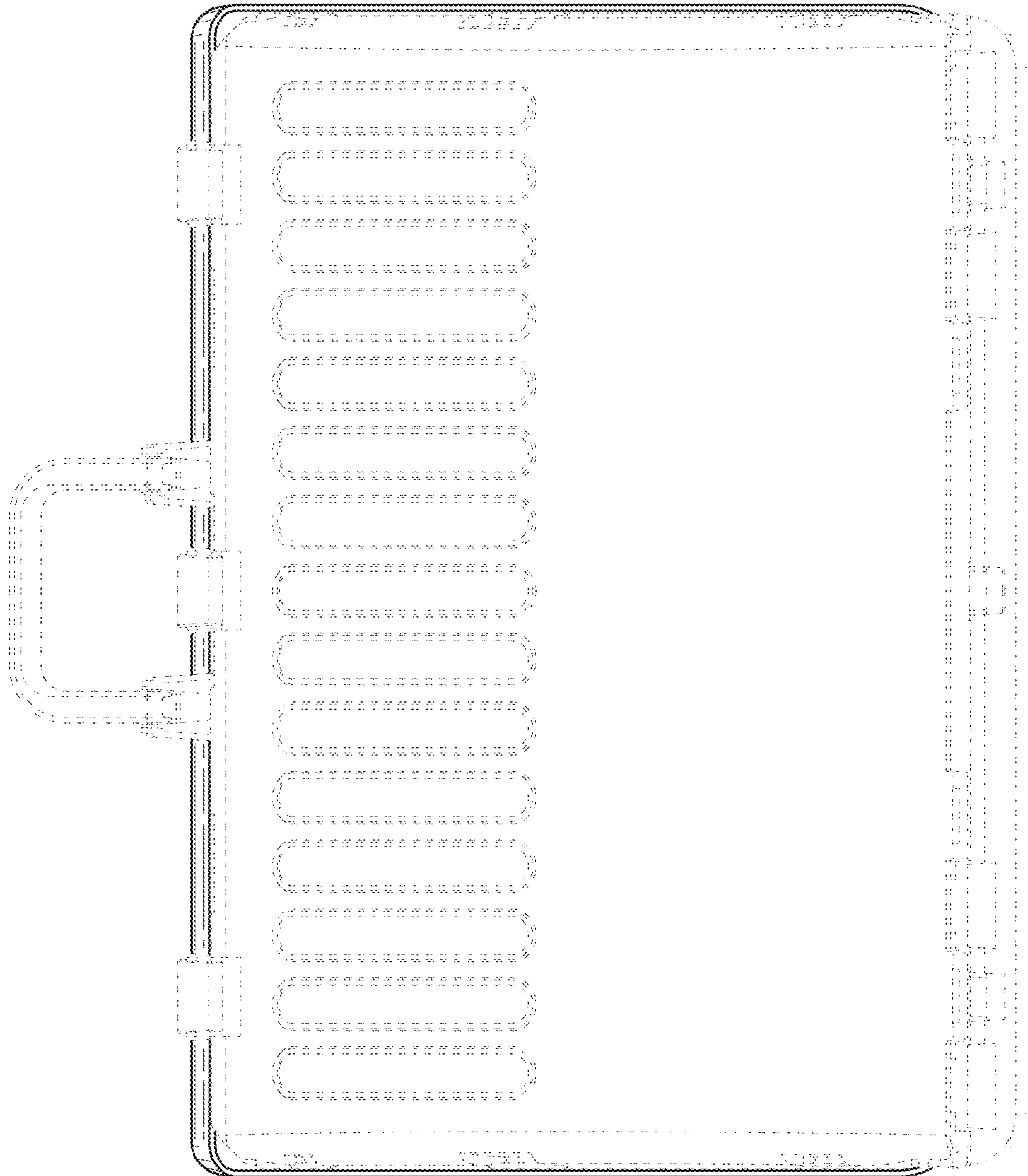


FIG. 3

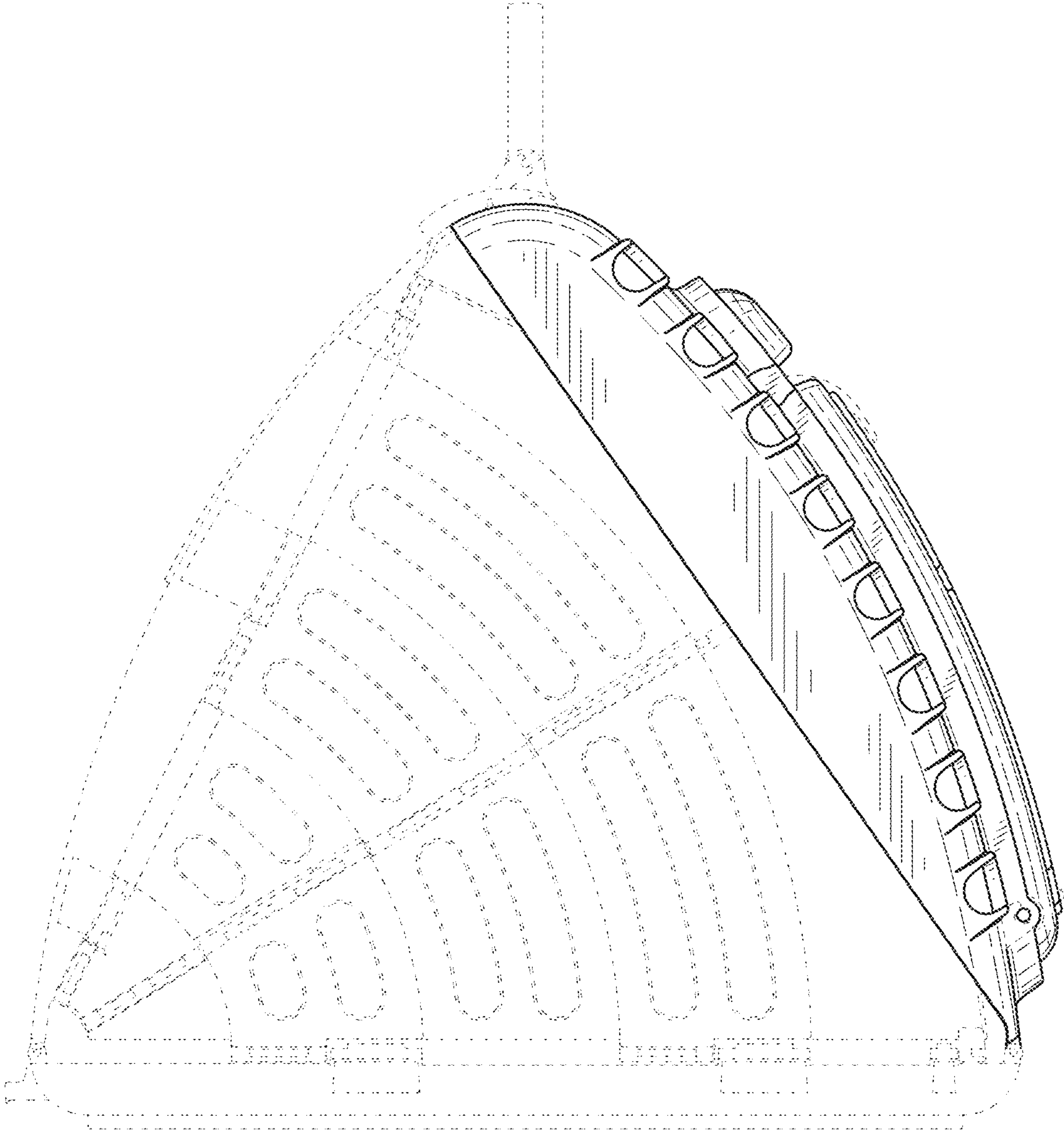


FIG. 4

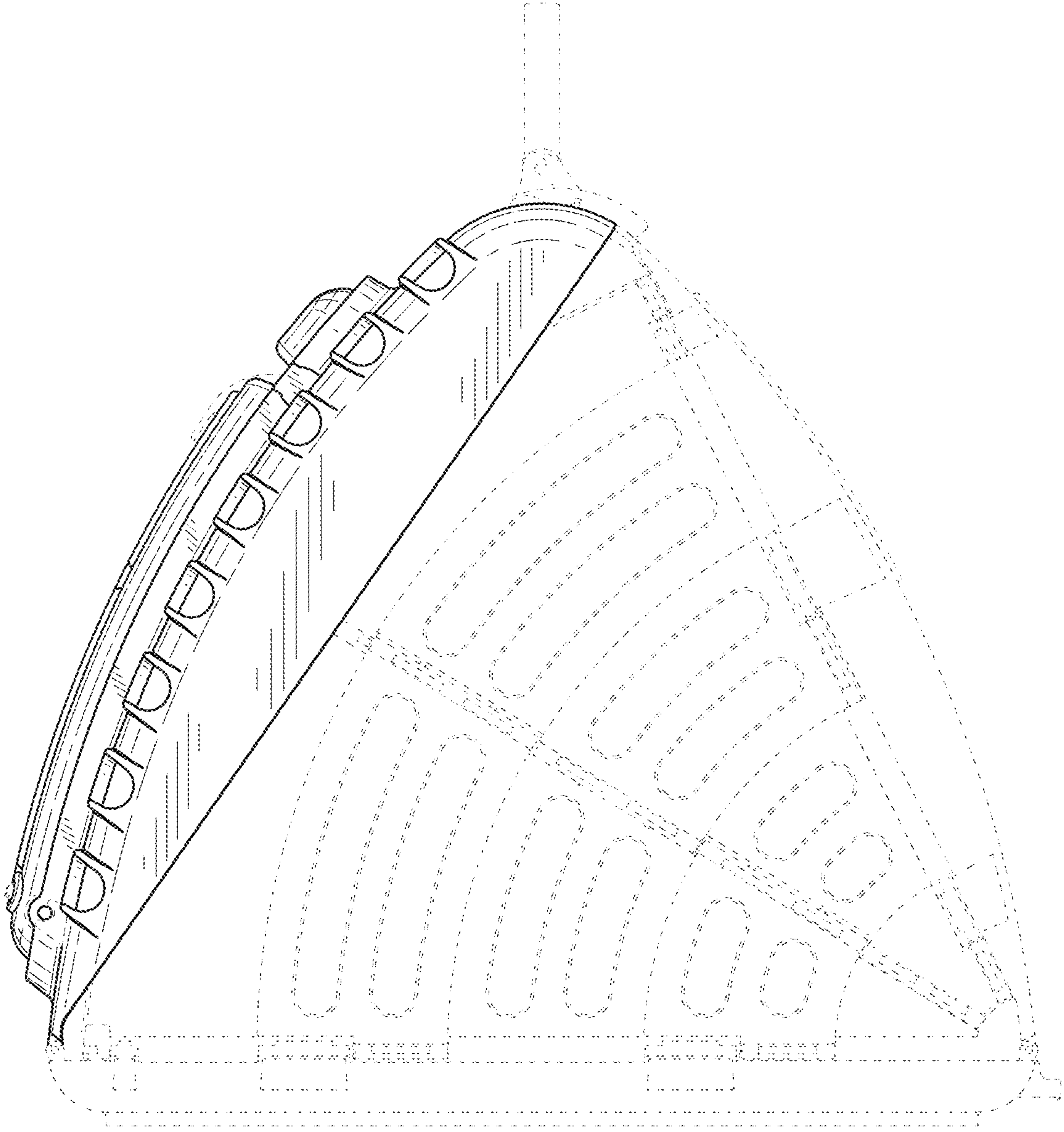


FIG. 5

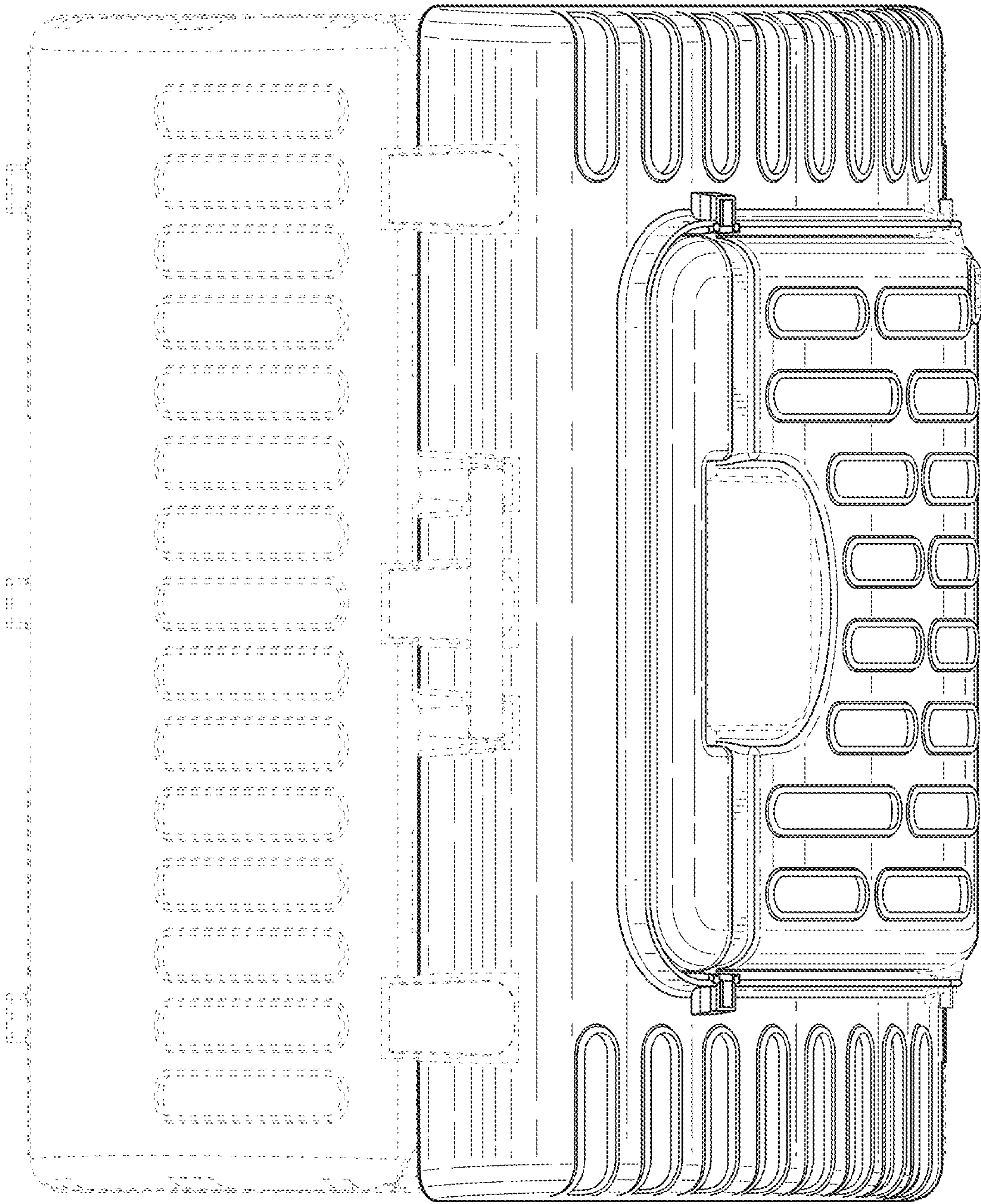


FIG. 6

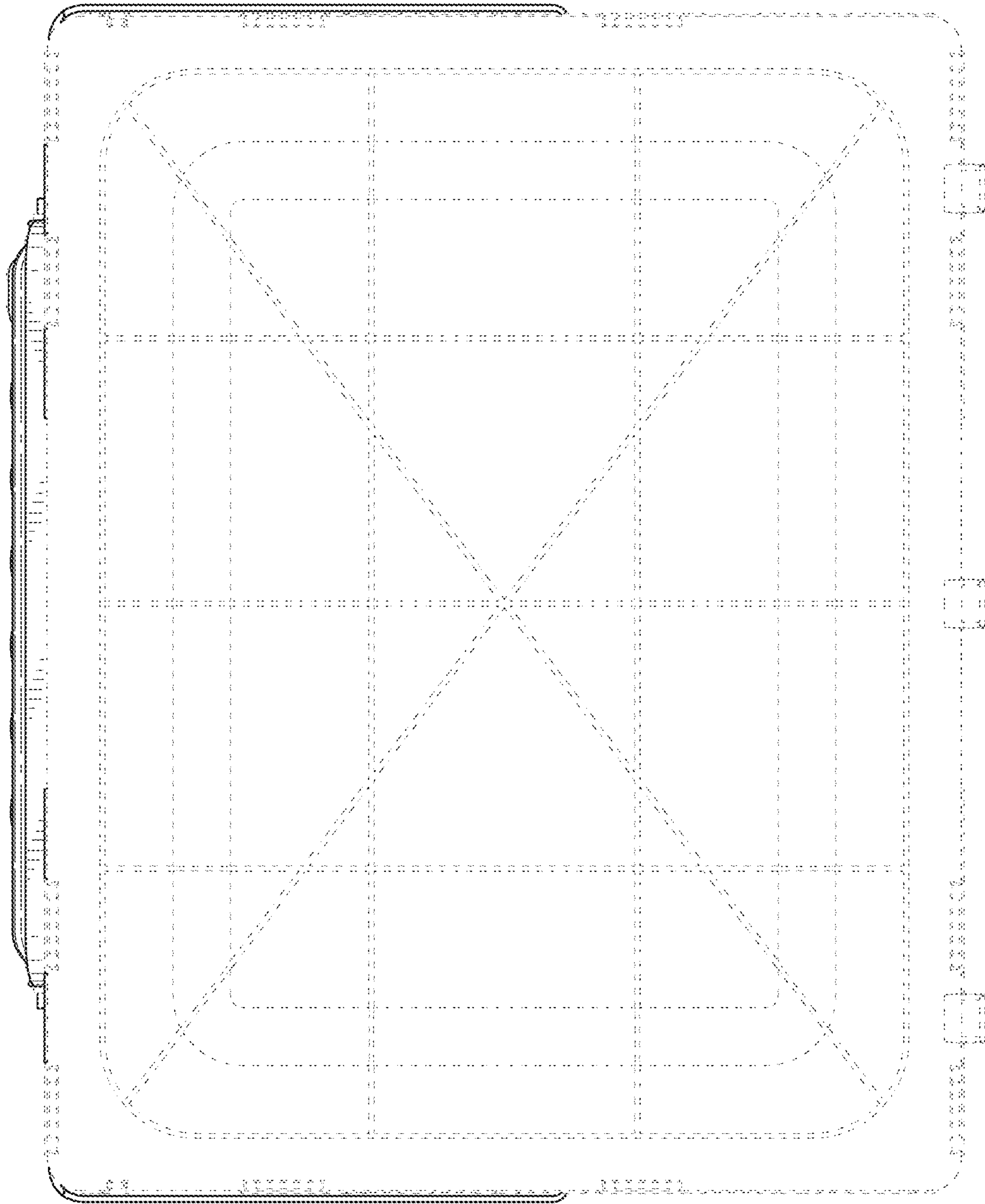


FIG. 7