



US00D930252S

(12) **United States Design Patent** (10) **Patent No.:** **US D930,252 S**
Lee (45) **Date of Patent:** **** Sep. 7, 2021**

(54) **COMPACT CONTAINER**

(71) Applicant: **Nature & Nature Co., Ltd.**, Seoul (KR)

(72) Inventor: **Hong Lee**, Seoul (KR)

(73) Assignee: **NATURE & NATURE CO., LTD.**, Seoul (KR)

(**) Term: **15 Years**

(21) Appl. No.: **29/682,595**

(22) Filed: **Mar. 6, 2019**

(30) **Foreign Application Priority Data**

Sep. 6, 2018 (KR) 30-2018-0041690

(51) **LOC (13) Cl.** **28-03**

(52) **U.S. Cl.**
USPC **D28/83**

(58) **Field of Classification Search**
USPC D28/77, 78, 82, 83
CPC A45D 40/22; A45D 40/18
See application file for complete search history.

(56) **References Cited**

U.S. PATENT DOCUMENTS

- 4,696,317 A * 9/1987 Shioi A45D 40/22
132/314
- D465,305 S * 11/2002 Thorpe D28/83
- D554,293 S * 10/2007 Thorpe D28/83
- D570,114 S * 6/2008 Netz D3/294
- D687,601 S * 8/2013 Ko D28/77
- D863,686 S * 10/2019 Min D28/83
- D884,975 S * 5/2020 Kim D28/83
- 2017/0347775 A1 * 12/2017 Lee A45D 40/22
- 2019/0374004 A1 * 12/2019 Martins A45D 40/22
- 2020/0305573 A1 * 10/2020 Lee A45D 40/22

- 2020/0323328 A1 * 10/2020 Kim A45D 40/22
- 2020/0329842 A1 * 10/2020 Lee A45D 40/22
- 2020/0397120 A1 * 12/2020 Jeong A45D 40/22

OTHER PUBLICATIONS

Youtube, "Carole Franck Rolling Cover Cushion" Published Dec. 20, 2018 by "nature & nature". (<https://www.youtube.com/watch?v=VC7epcO84Co>) (Year: 2018).*
Jung Magazine, "Carole Franck Réinvente Son Rolling Cover Cushion" Published Nov. 10, 2019. (<https://jungmagazine.com/carole-franck-rolling-cover-cushion/>) (Year: 2019).*

(Continued)

Primary Examiner — April Rivas

(74) *Attorney, Agent, or Firm* — Rabin & Berdo, P.C.

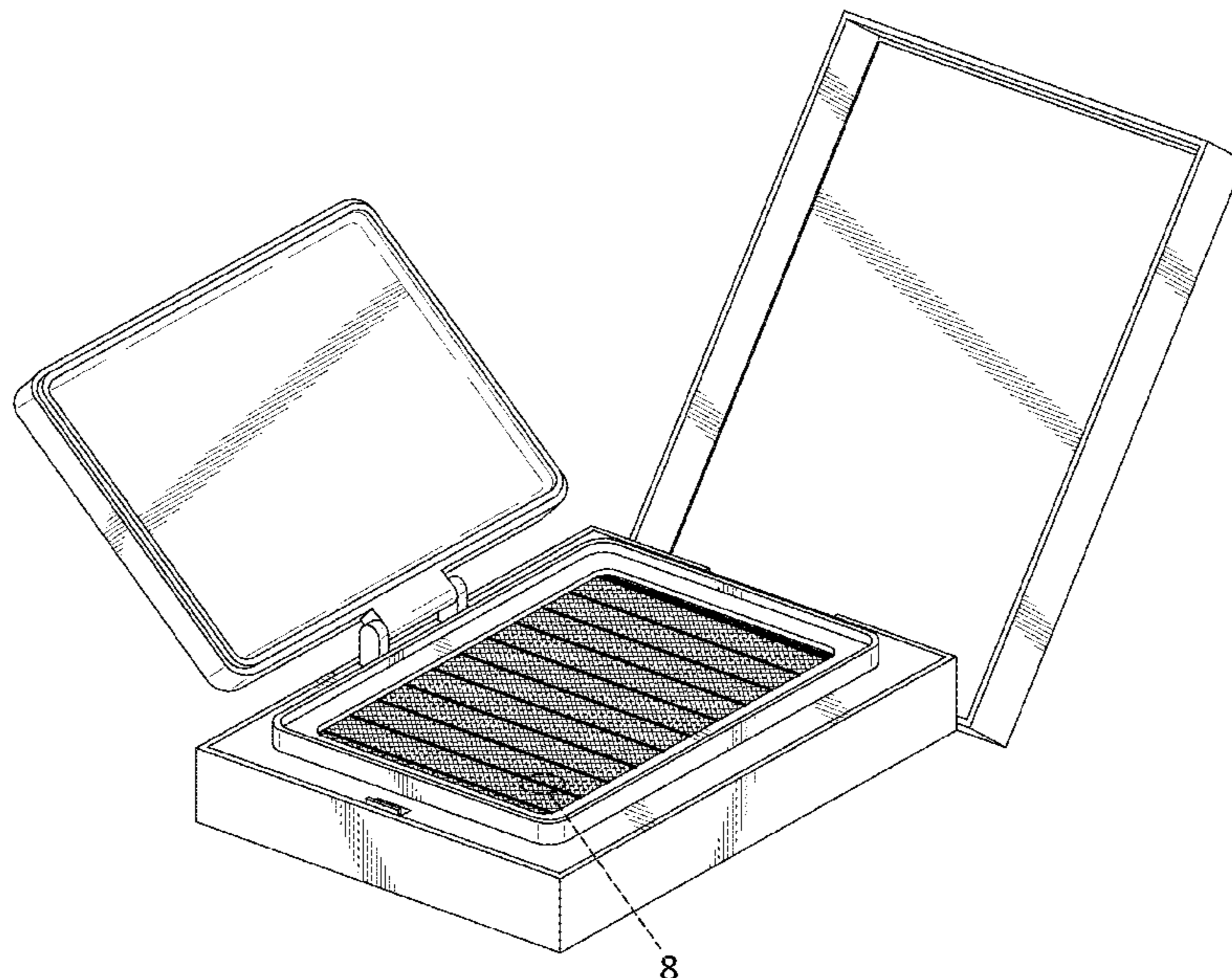
(57) **CLAIM**

The ornamental design for a compact container, as shown and described.

DESCRIPTION

FIG. 1 is a perspective view of a compact container;
FIG. 2 is a front view thereof;
FIG. 3 is a rear view thereof;
FIG. 4 is a left side view thereof;
FIG. 5 is a right side view thereof;
FIG. 6 is a top view thereof;
FIG. 7 is a bottom view thereof;
FIG. 8 is a partial top detailed view of the encircled portion indicated by reference number 8 of FIG. 1;
FIG. 9 is a partial top detailed view of the encircled portion indicated by reference number 9 of FIG. 6;
FIG. 10 is a reference view showing a state in which the compact container is partially closed; and,
FIG. 11 is another reference view showing a state in which the compact container is completely closed.
The broken lines illustrate the bounds of the enlarged views and form no part of the claimed design.

1 Claim, 10 Drawing Sheets



(56)

References Cited

OTHER PUBLICATIONS

Amazon.ca, "Secret Muse UV Vita Sun Cushion . . .", First on sale Oct. 13, 2019. (<https://www.amazon.ca/Secret-Muse-Cushion-Vitamin-Original/dp/B07Q4L6VTR>) (Year: 2019).*

Amazon.in, "15ml 0.5oz Empty Upscale Reusable Cosmetic Powder Container . . .", First on sale Aug. 23, 2019. (<https://www.amazon.in/Reusable-Cosmetic-Container-Portable-Foundation/dp/B01MS12M7C>) (Year: 2019).*

* cited by examiner

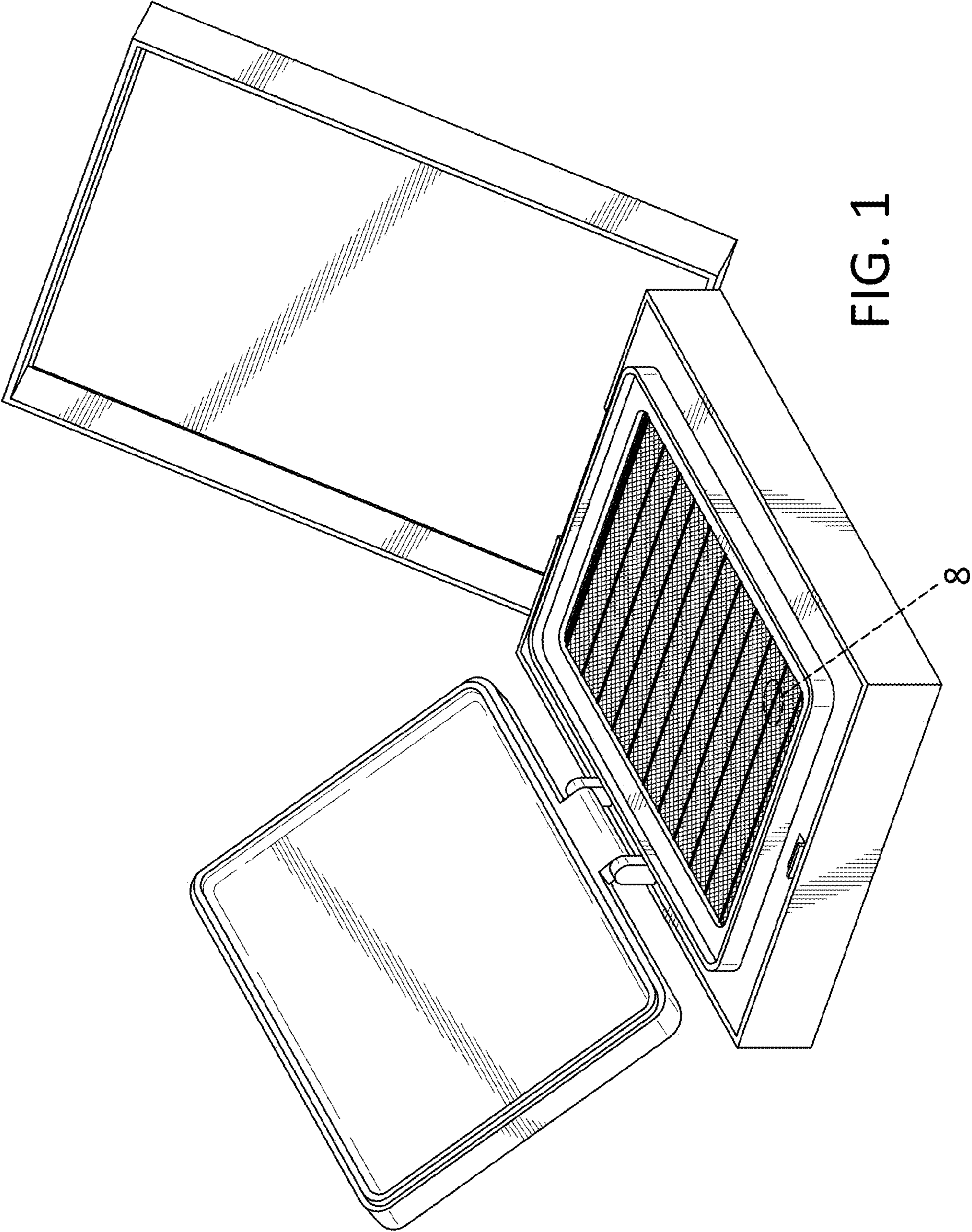


FIG. 1

8

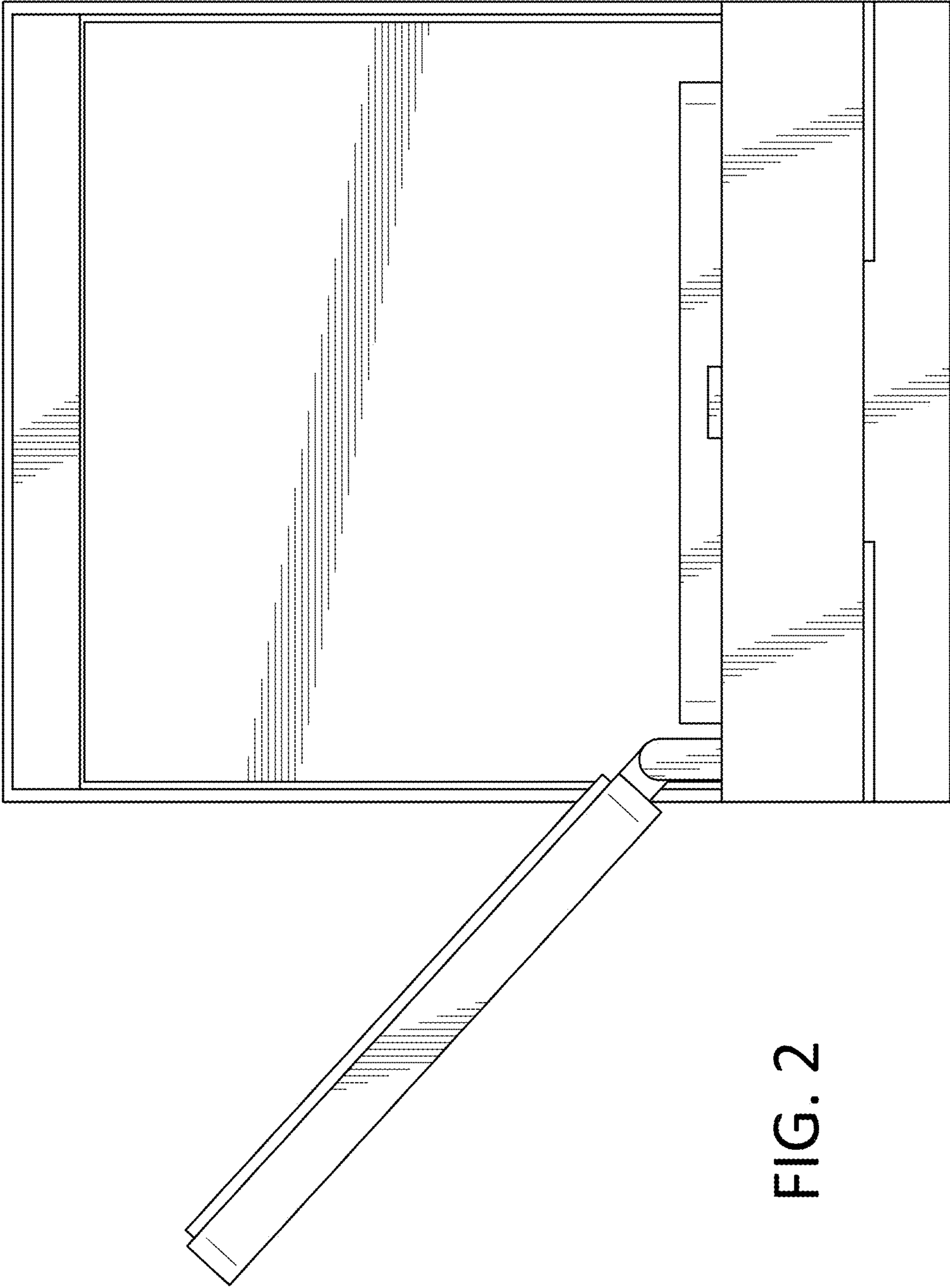


FIG. 2

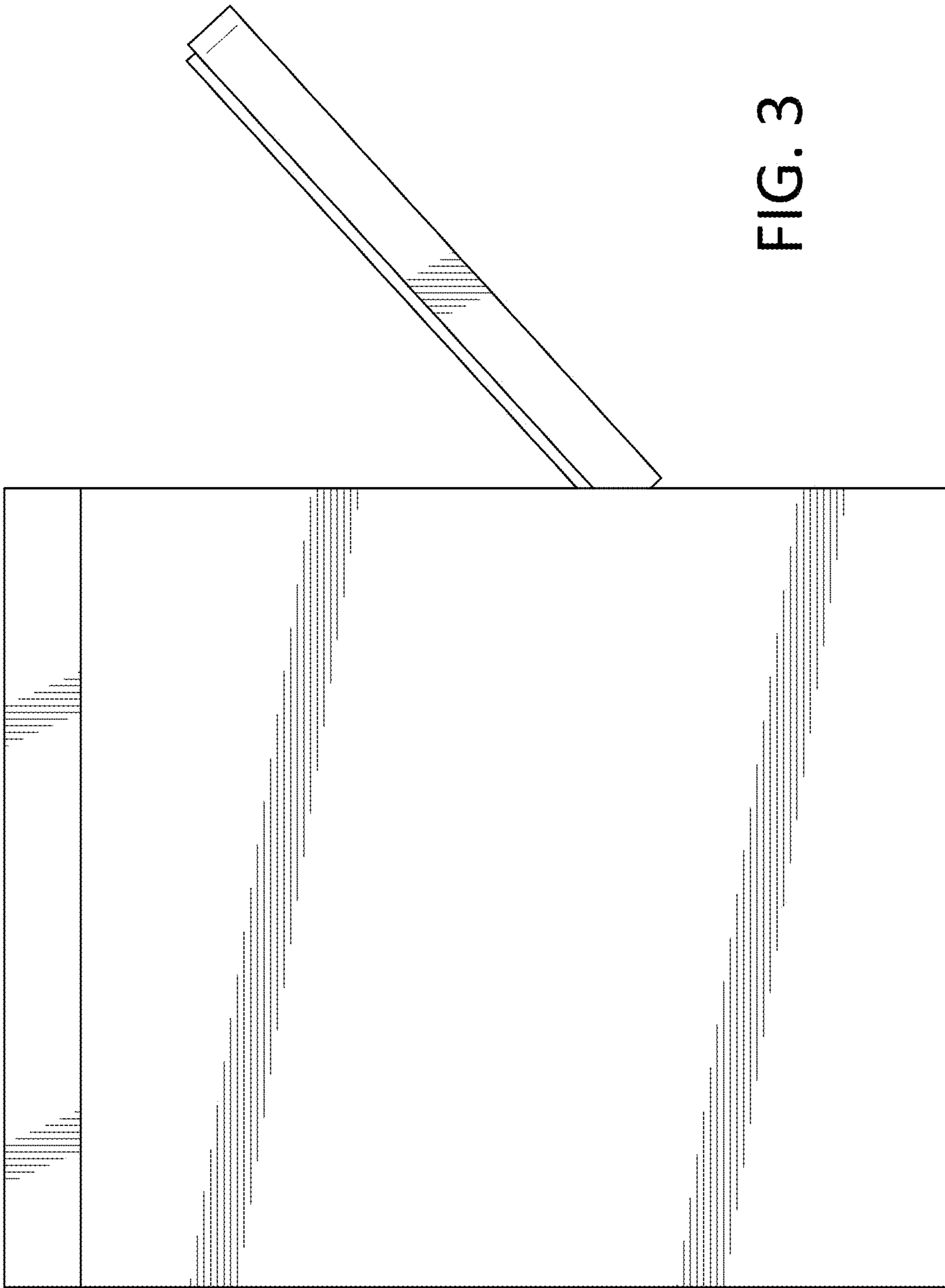


FIG. 3

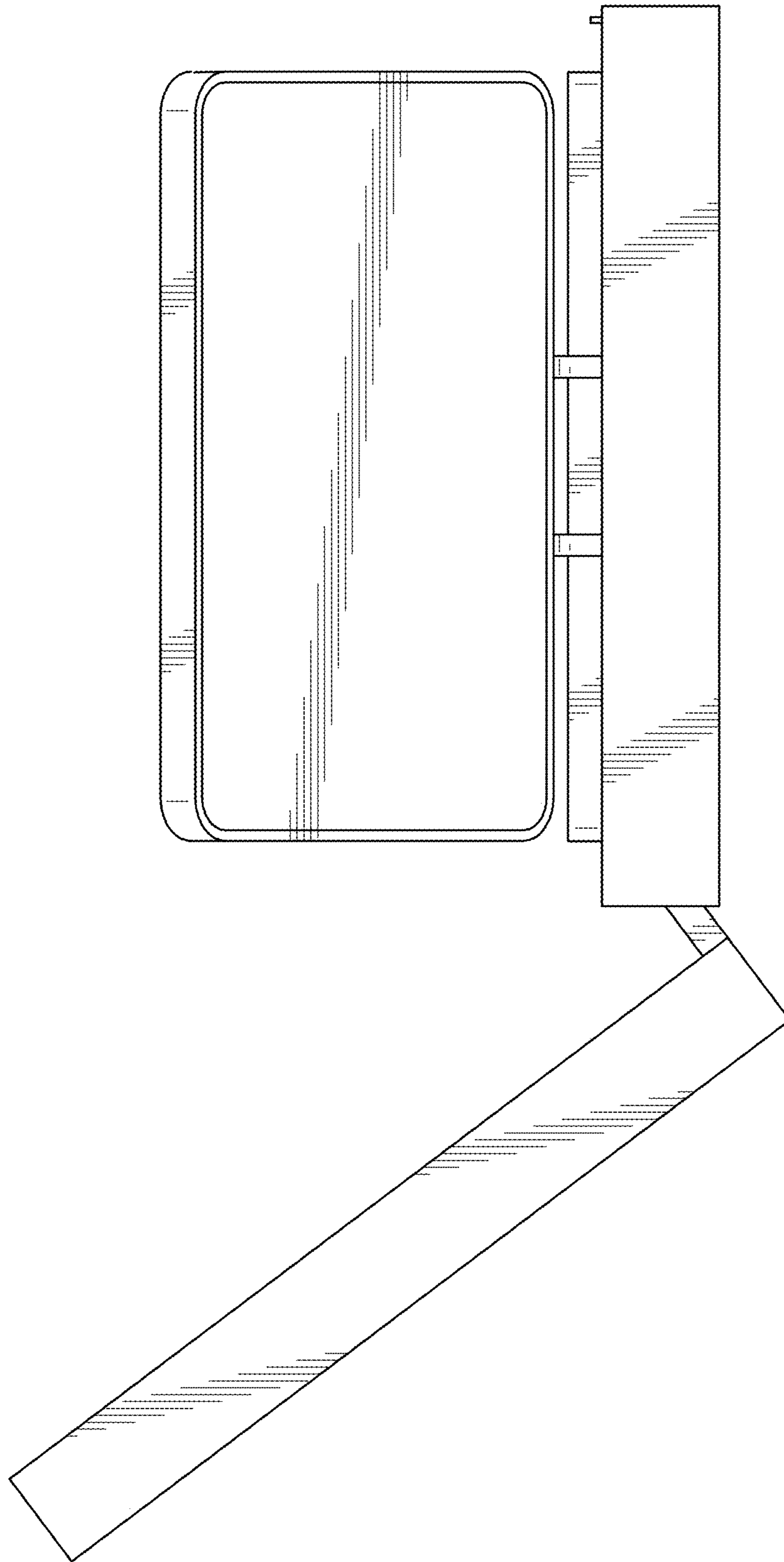


FIG. 4

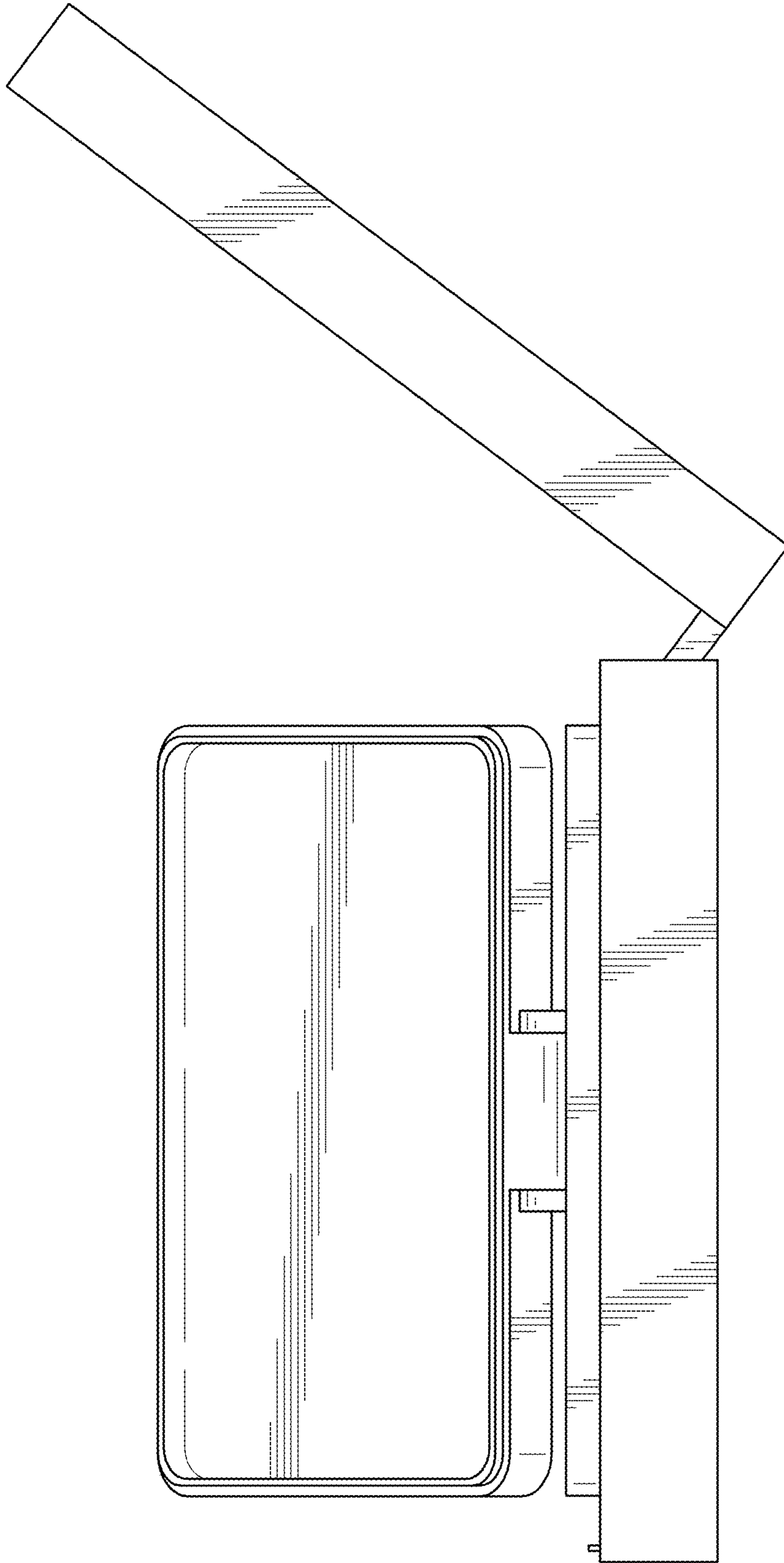
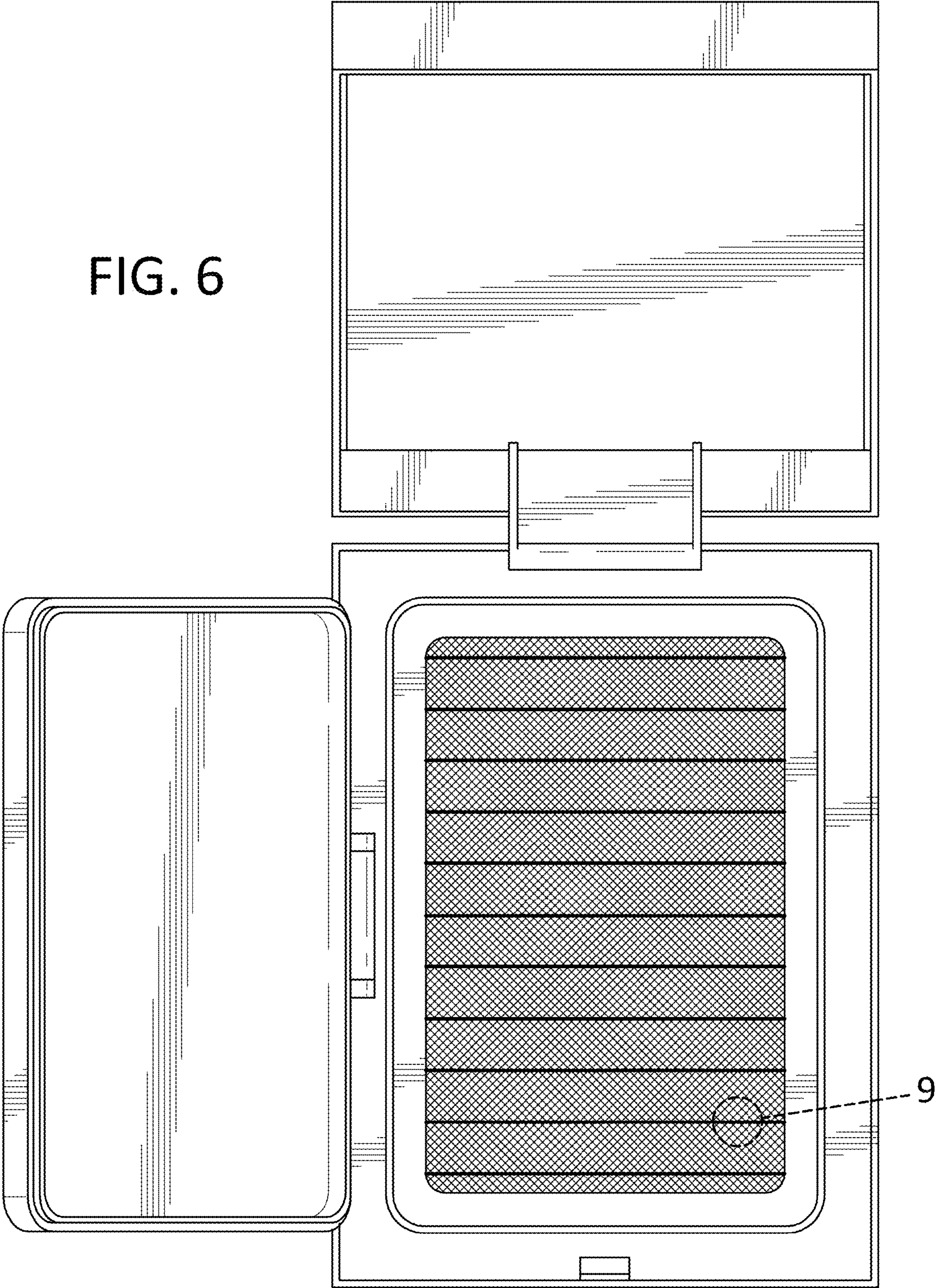


FIG. 5

FIG. 6



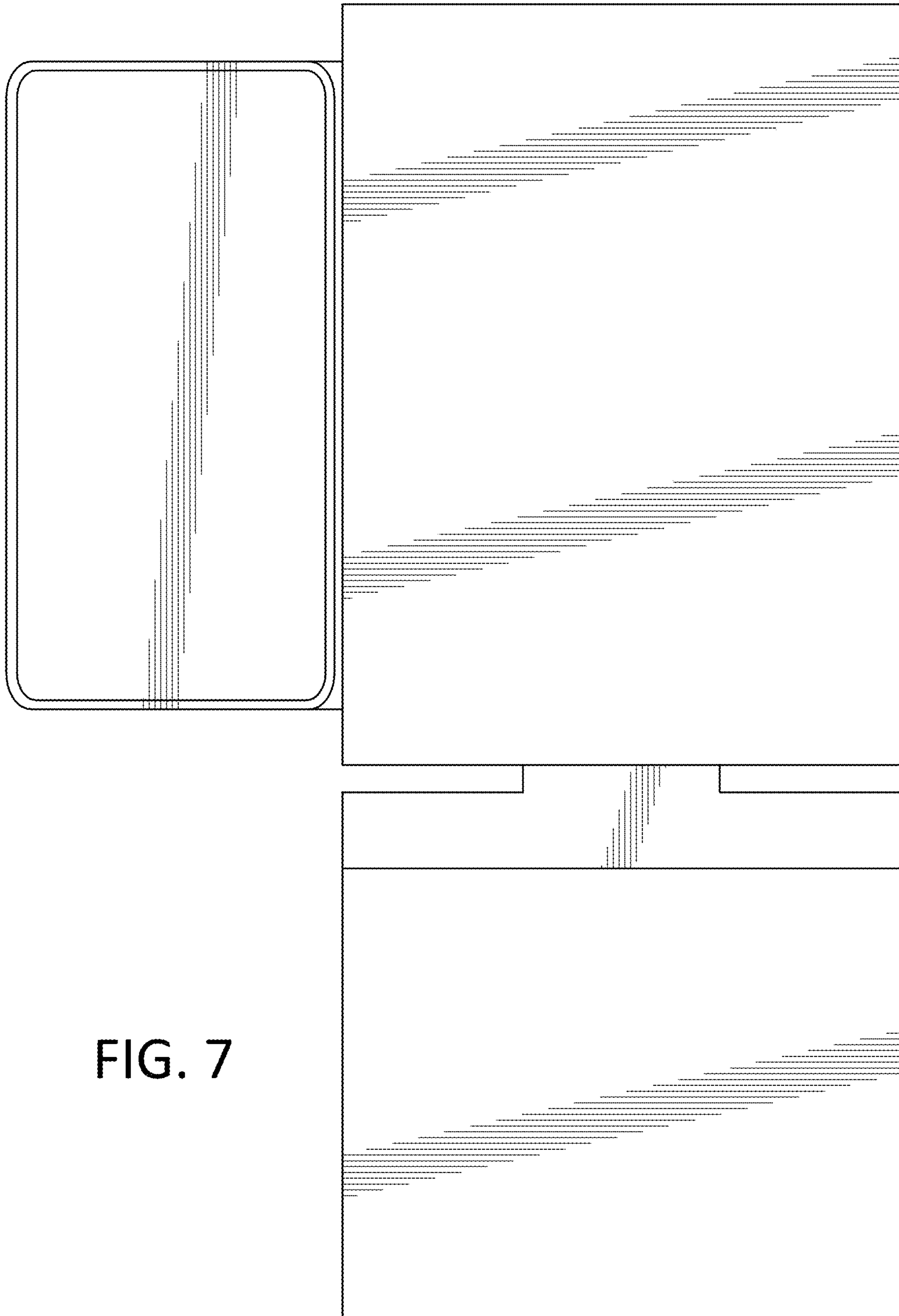


FIG. 7

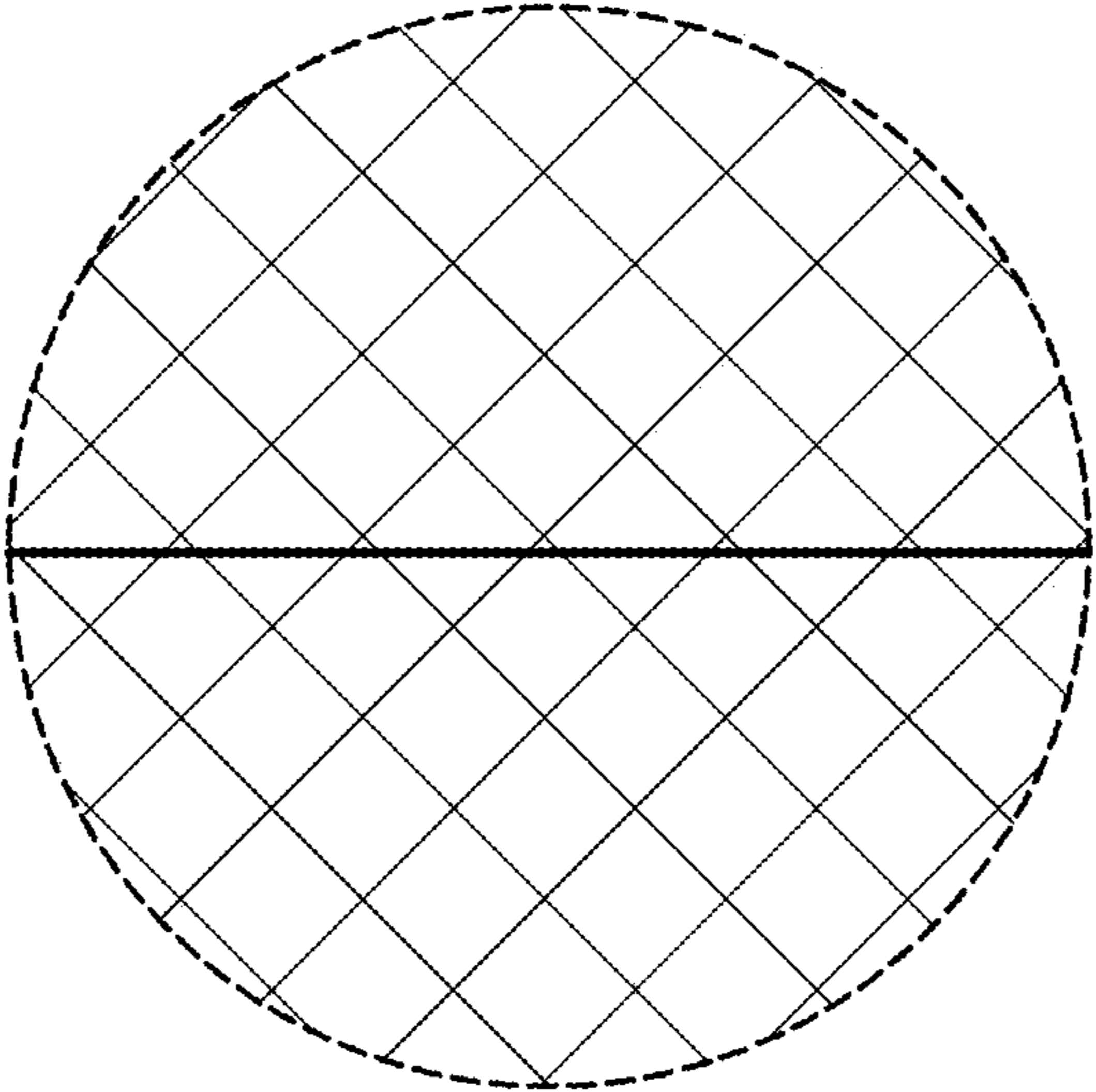


FIG. 9

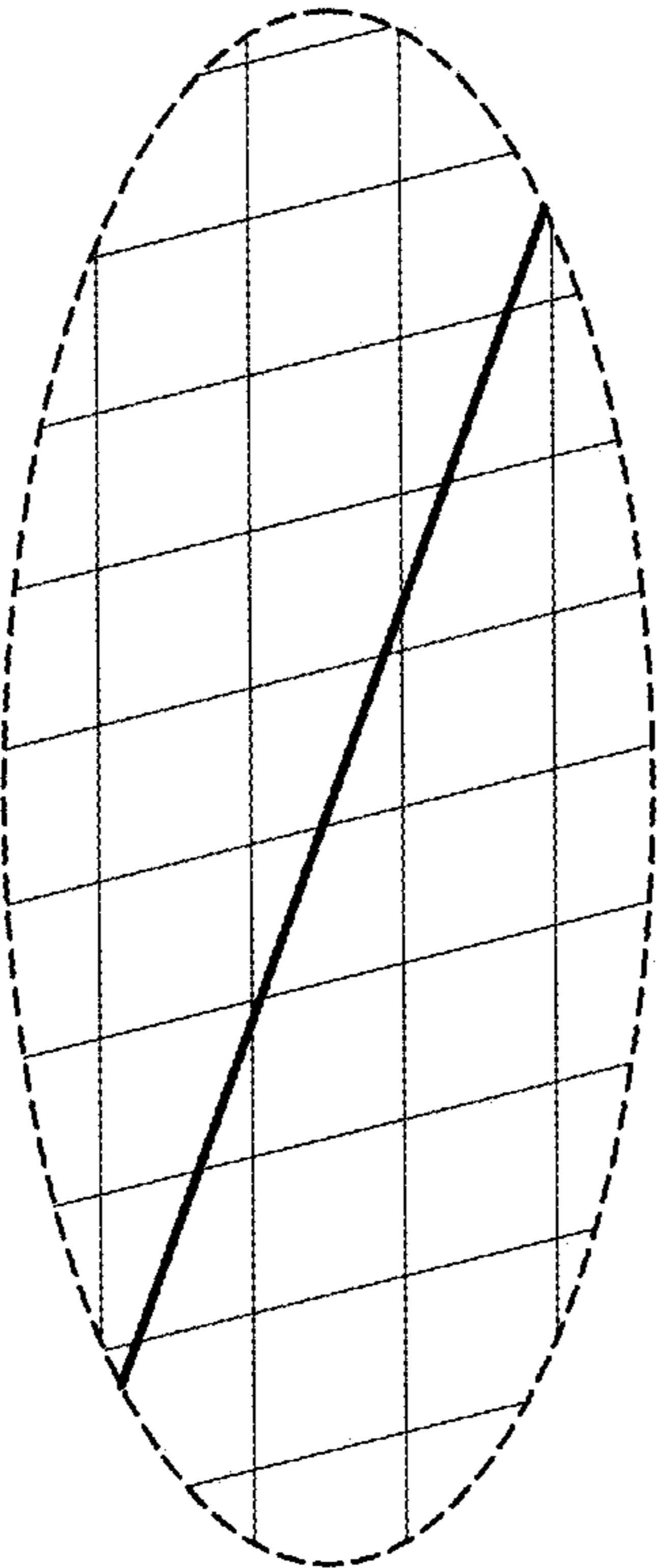


FIG. 8

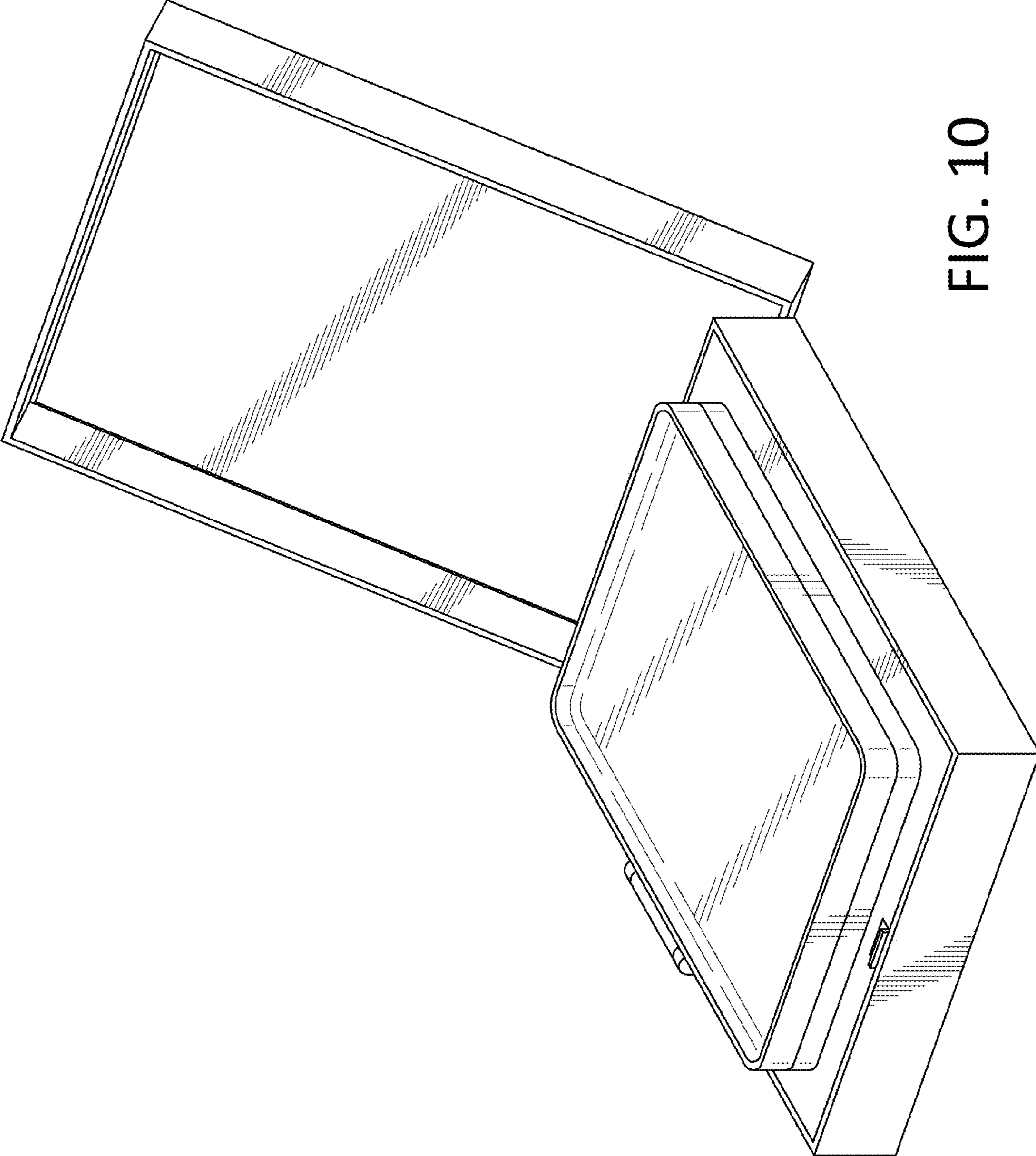


FIG. 10

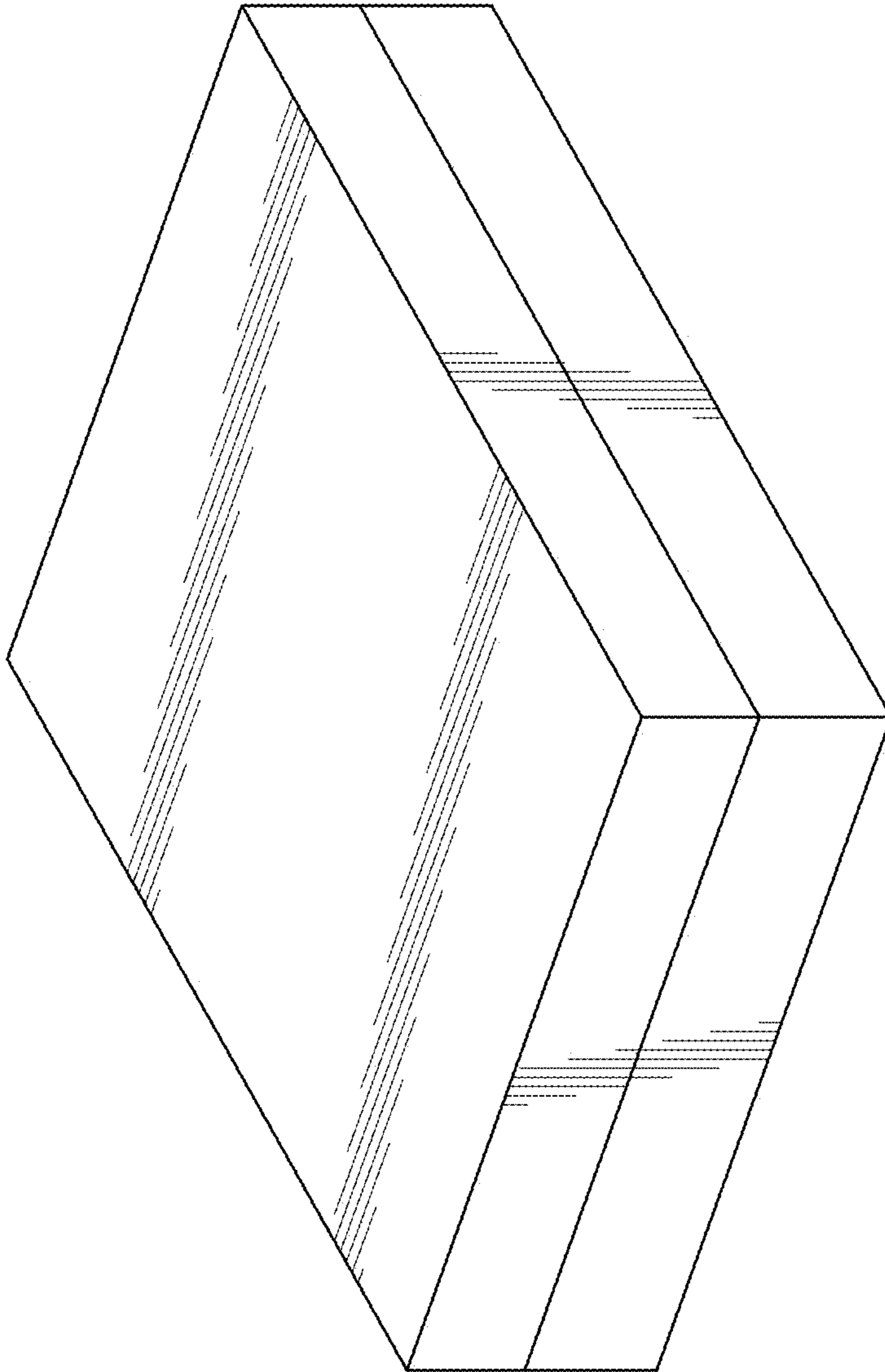


FIG. 11