



US00D930250S

(12) **United States Design Patent** (10) **Patent No.:** **US D930,250 S**
Star (45) **Date of Patent:** **** Sep. 7, 2021**

(54) **COSMETIC CONTAINER**
(71) Applicant: **JEFFREE STAR COSMETICS, INC.**,
Chatsworth, CA (US)
(72) Inventor: **Jeffree Star**, Chatsworth, CA (US)
(73) Assignee: **JEFFREE STAR COSMETICS, INC.**,
Chatsworth, CA (US)

D846,197 S * 4/2019 Apodaca D28/85
D851,838 S * 6/2019 Fallon D28/87
D876,016 S * 2/2020 Hosseini D28/76
D884,979 S * 5/2020 Adenaike D28/90
D898,296 S * 10/2020 Min D28/85
D909,683 S * 2/2021 Valcke D28/85
D909,880 S * 2/2021 Mitha D9/566

(**) Term: **15 Years**
(21) Appl. No.: **29/646,086**

(22) Filed: **May 1, 2018**
(51) **LOC (13) Cl.** **28-03**
(52) **U.S. Cl.**
USPC **D28/76; D28/90; D9/566**
(58) **Field of Classification Search**
USPC D9/566, 568, 503-505, 723-725;
D28/76, 77, 81, 85-90
CPC A45D 2040/0012; A45D 2040/0025; A45D
2040/0031-0062; A45D 40/00; A45D
40/04; A45D 40/06-065; A45D 40/10;
A45D 40/12; A45D 2040/265-267; A45D
2034/007

See application file for complete search history.

(56) **References Cited**
U.S. PATENT DOCUMENTS

D112,400 S * 11/1938 Penn D28/89
D151,980 S * 12/1948 Graham D28/77
D345,623 S * 3/1994 Yang D28/87
D345,624 S * 3/1994 Yang D28/87
D346,045 S * 4/1994 Yang D28/87
D381,774 S * 7/1997 Huang D28/85
D717,496 S * 11/2014 Gautier D28/85
D726,967 S * 4/2015 Komai D28/87
D752,291 S * 3/2016 Schlatter D28/87

OTHER PUBLICATIONS

Jeffree Star Conainter, www.amazon.com, 1 page, reviewed as early as May 2020.*

* cited by examiner

Primary Examiner — Jennifer Rivard
(74) *Attorney, Agent, or Firm* — Millen, White, Zelano & Branigan, P.C.; William F. Nixon

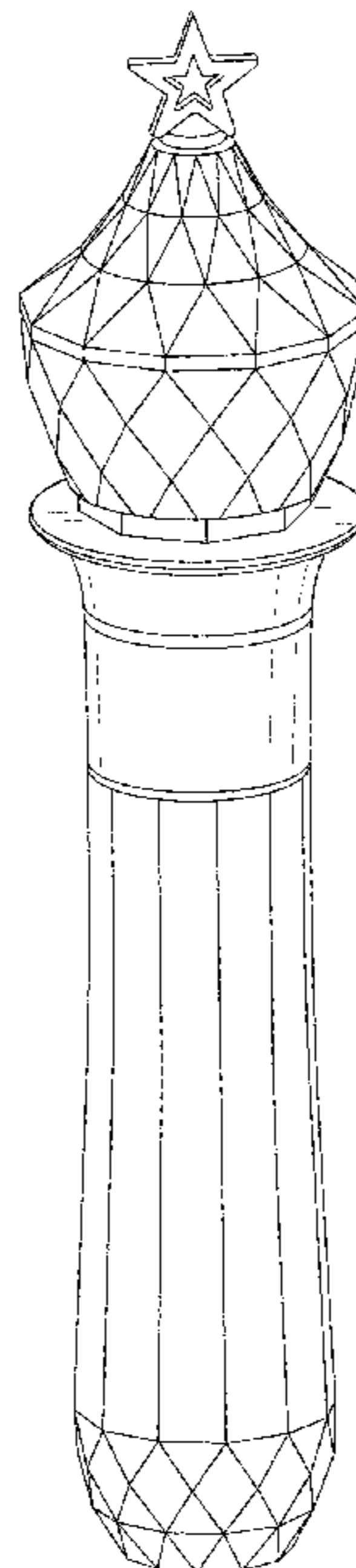
(57) **CLAIM**

The ornamental design for an cosmetic container, as shown and described.

DESCRIPTION

FIG. 1 illustrates a front perspective view of the cosmetic container having the claimed design;
FIG. 2 illustrates a front elevational view thereof;
FIG. 3 illustrates a side elevational view thereof;
FIG. 4 illustrates a top plan view thereof;
FIG. 5 illustrates a bottom plan view thereof; and,
FIG. 6 illustrates an exploded view of the cosmetic container having the claimed design.
The broken lines shown throughout the views depict unclaimed portions of the design and form no part of the claimed design.

1 Claim, 6 Drawing Sheets



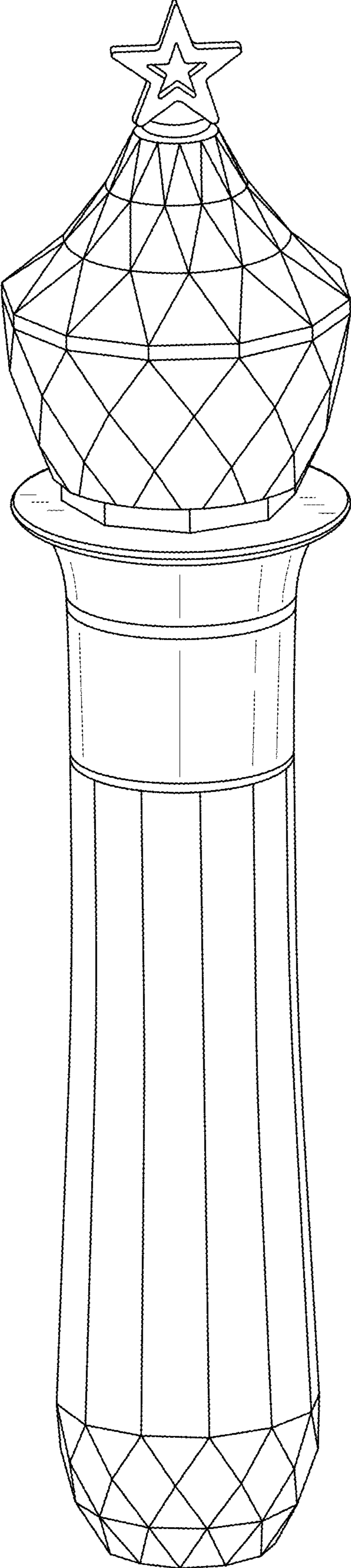


FIG. 1

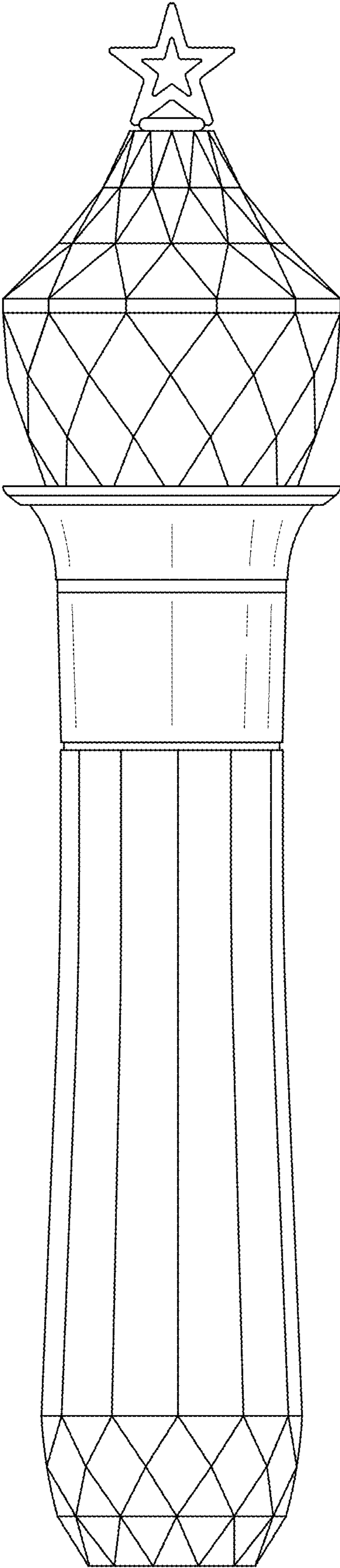


FIG. 2

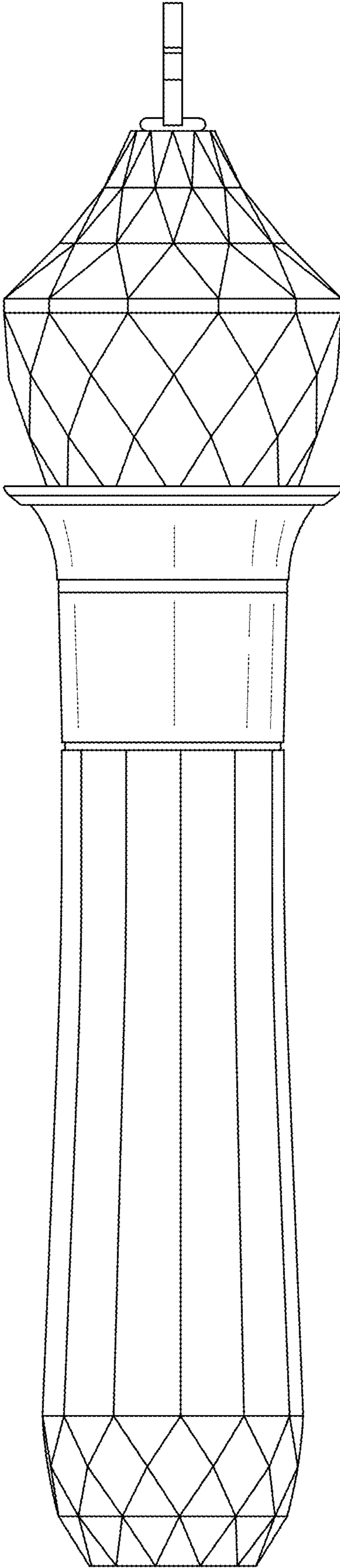


FIG. 3

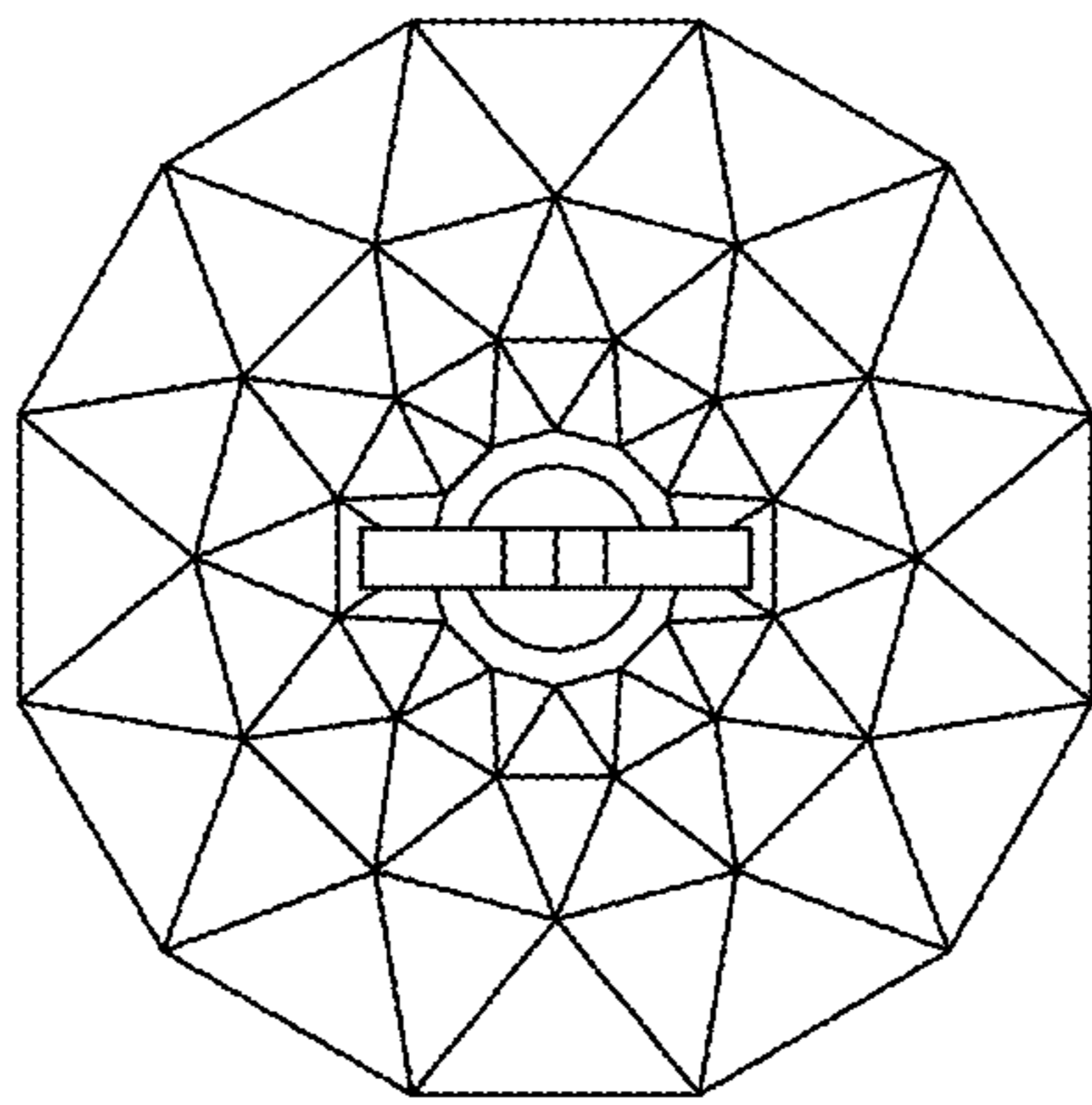


FIG. 4

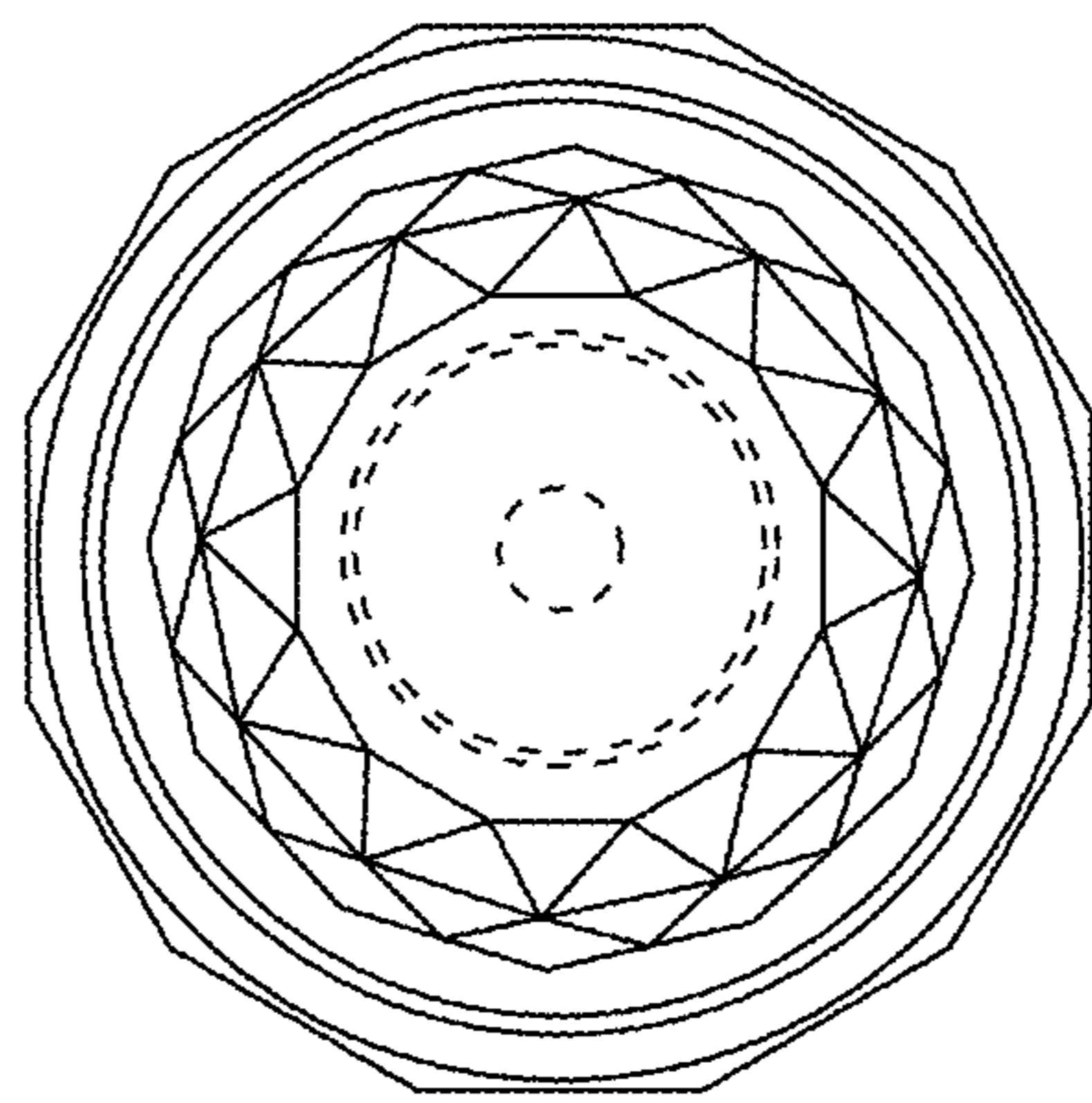


FIG. 5

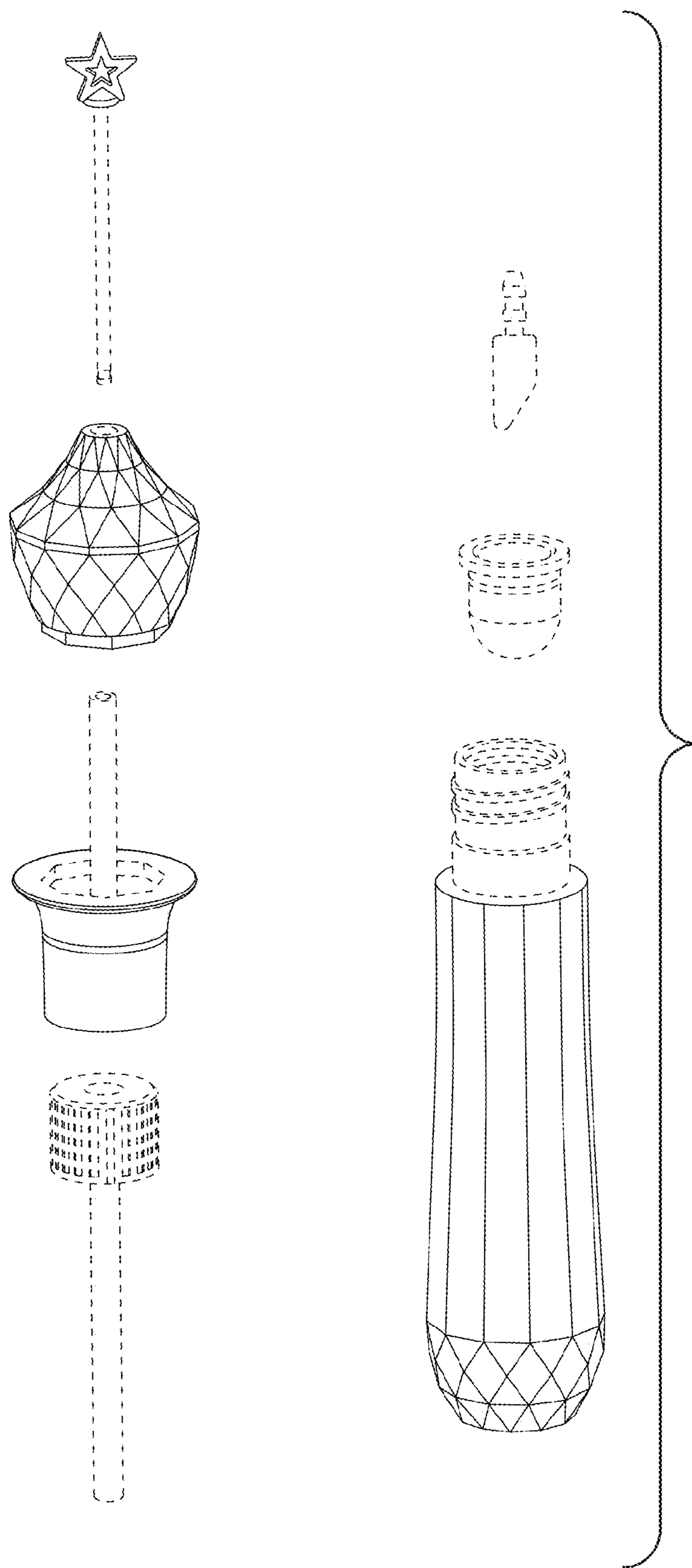


FIG. 6