



US00D930246S

(12) **United States Design Patent** (10) **Patent No.:** **US D930,246 S**
Wang (45) **Date of Patent:** **** Sep. 7, 2021**

(54) **ELECTRIC MANICURE SET**
(71) Applicant: **Haitao Wang**, Guangdong (CN)
(72) Inventor: **Haitao Wang**, Guangdong (CN)
(73) Assignee: **Shenzhen Sist Technology Co., ltd**,
Shenzhen (CN)
(**) Term: **15 Years**
(21) Appl. No.: **29/730,182**
(22) Filed: **Apr. 2, 2020**
(51) **LOC (13) Cl.** **28-03**
(52) **U.S. Cl.**
USPC **D28/58**
(58) **Field of Classification Search**
USPC D28/45, 49, 52-53, 56-62, 73, 99;
D24/133, 146-147, 211, 214, 215;
D30/158, 199
CPC A45D 29/00; A45D 29/02; A45D 29/04;
A45D 29/06; A45D 29/11; A45D 29/14;
A45D 29/29; A45D 29/18; A61B 17/54
See application file for complete search history.

D912,265 S * 3/2021 Wang D24/215
2006/0047234 A1 * 3/2006 Glucksman A61B 17/54
601/87
2009/0209977 A1 * 8/2009 Rogatschnig A45D 26/0061
606/133
2010/0051043 A1 * 3/2010 Betancourt A61B 17/54
132/76.4
2011/0226268 A1 * 9/2011 Filonczuk A45D 29/05
132/73.6
2014/0371751 A1 * 12/2014 Thomas A61B 17/1662
606/80

FOREIGN PATENT DOCUMENTS

WO WO-03022175 A3 * 11/2003 A61B 17/54
* cited by examiner

Primary Examiner — Jennifer Rivard
Assistant Examiner — Alison M Ofstun

(57) **CLAIM**

The ornamental design for an electric manicure set, as shown and described.

DESCRIPTION

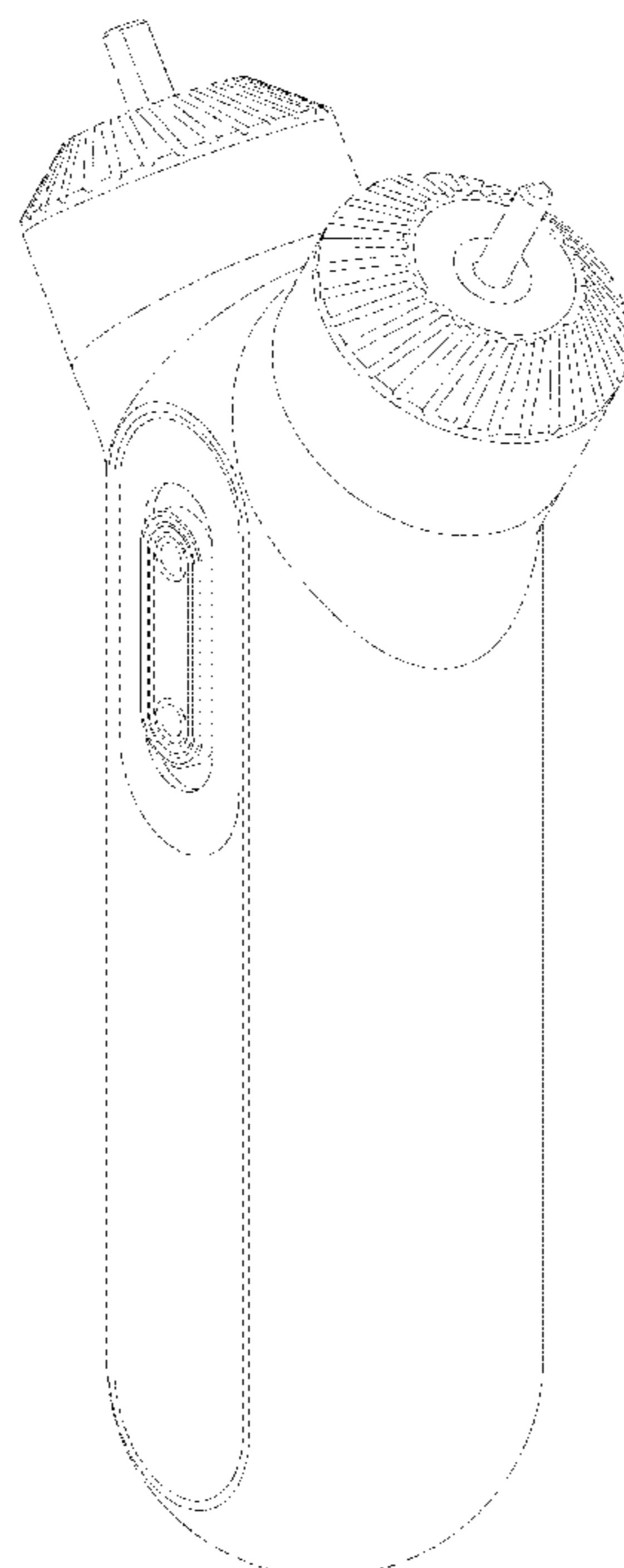
FIG. 1 is a perspective view of an electric manicure set showing the claimed design;
FIG. 2 is a top plan view thereof;
FIG. 3 is a rear elevational view thereof;
FIG. 4 is a bottom plan view thereof;
FIG. 5 is a right side view thereof;
FIG. 6 is a front elevational view thereof; and,
FIG. 7 is a left side view thereof.
The broken lines illustrate portions of the electric manicure set that form no part of the claimed design.

1 Claim, 7 Drawing Sheets

(56) **References Cited**

U.S. PATENT DOCUMENTS

D207,147 S * 3/1967 Daher D28/58
D208,964 S * 10/1967 Maxim D28/58
D523,556 S * 6/2006 Glucksman D24/133
D536,136 S * 1/2007 Kitagawa D28/53
D681,277 S * 4/2013 Yiu D28/58
10,194,935 B2 * 2/2019 Grez A61B 17/3205
D844,799 S * 4/2019 Kim D24/214
D850,724 S * 6/2019 Luo D28/58
D903,889 S * 12/2020 Luo D24/211



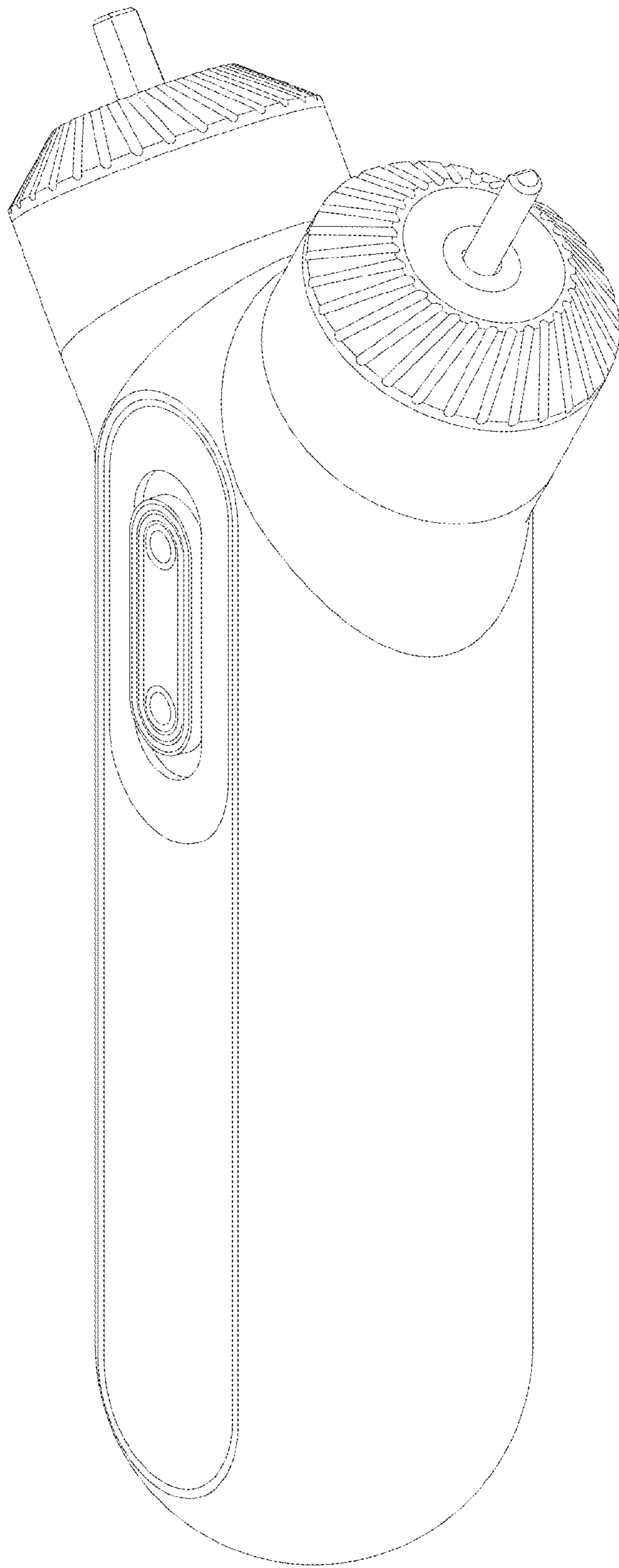


FIG.1

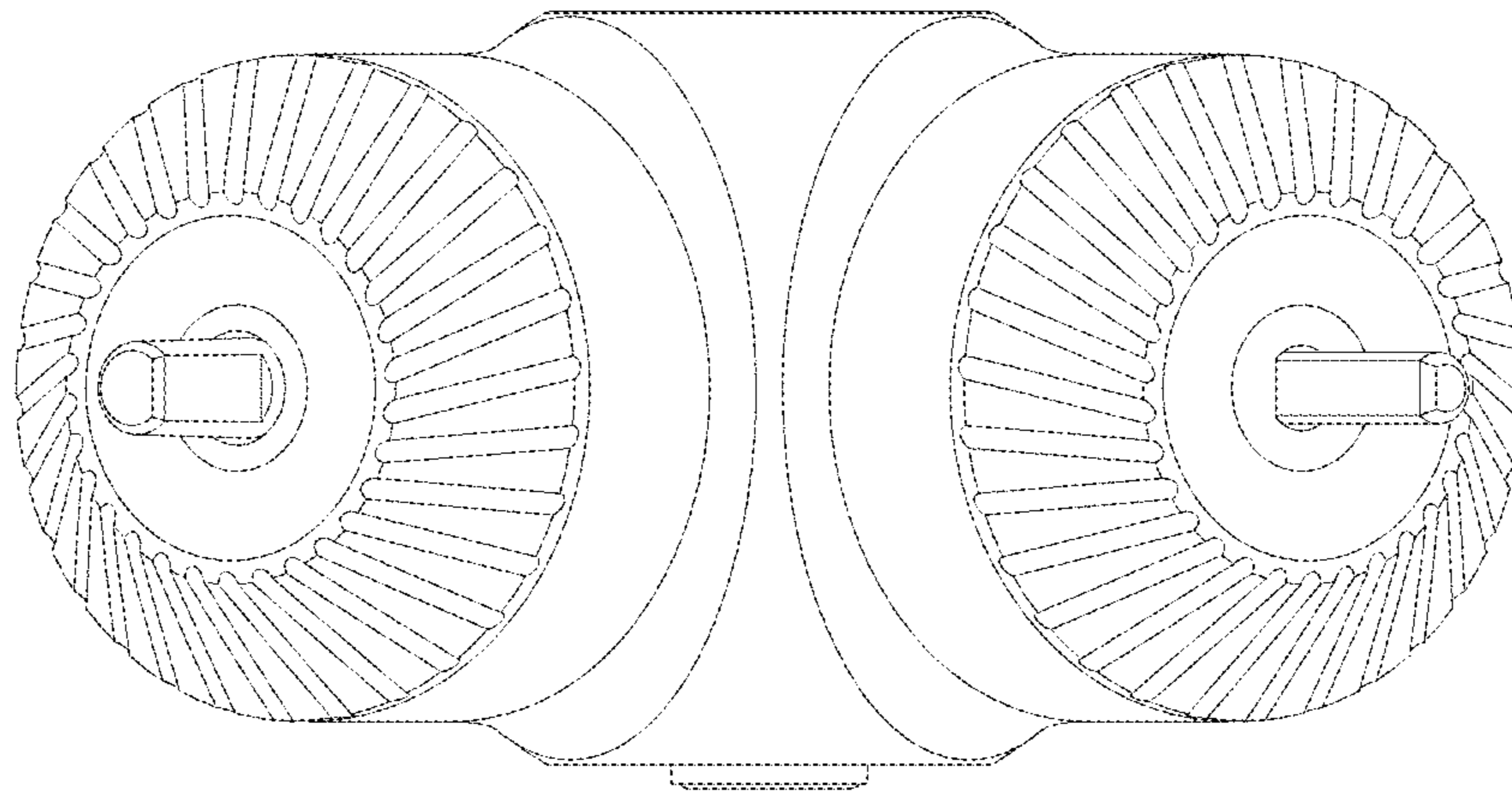


FIG.2

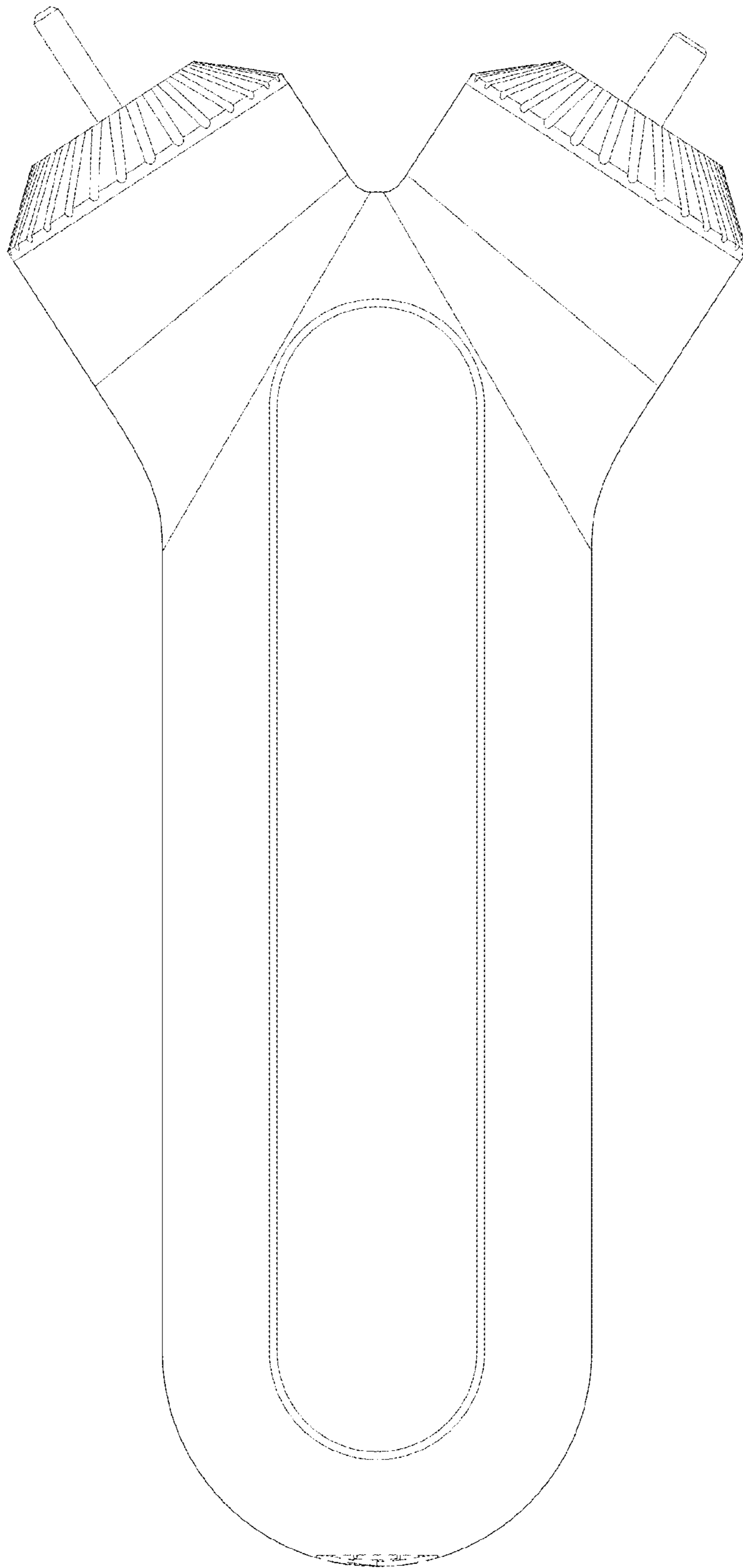


FIG.3

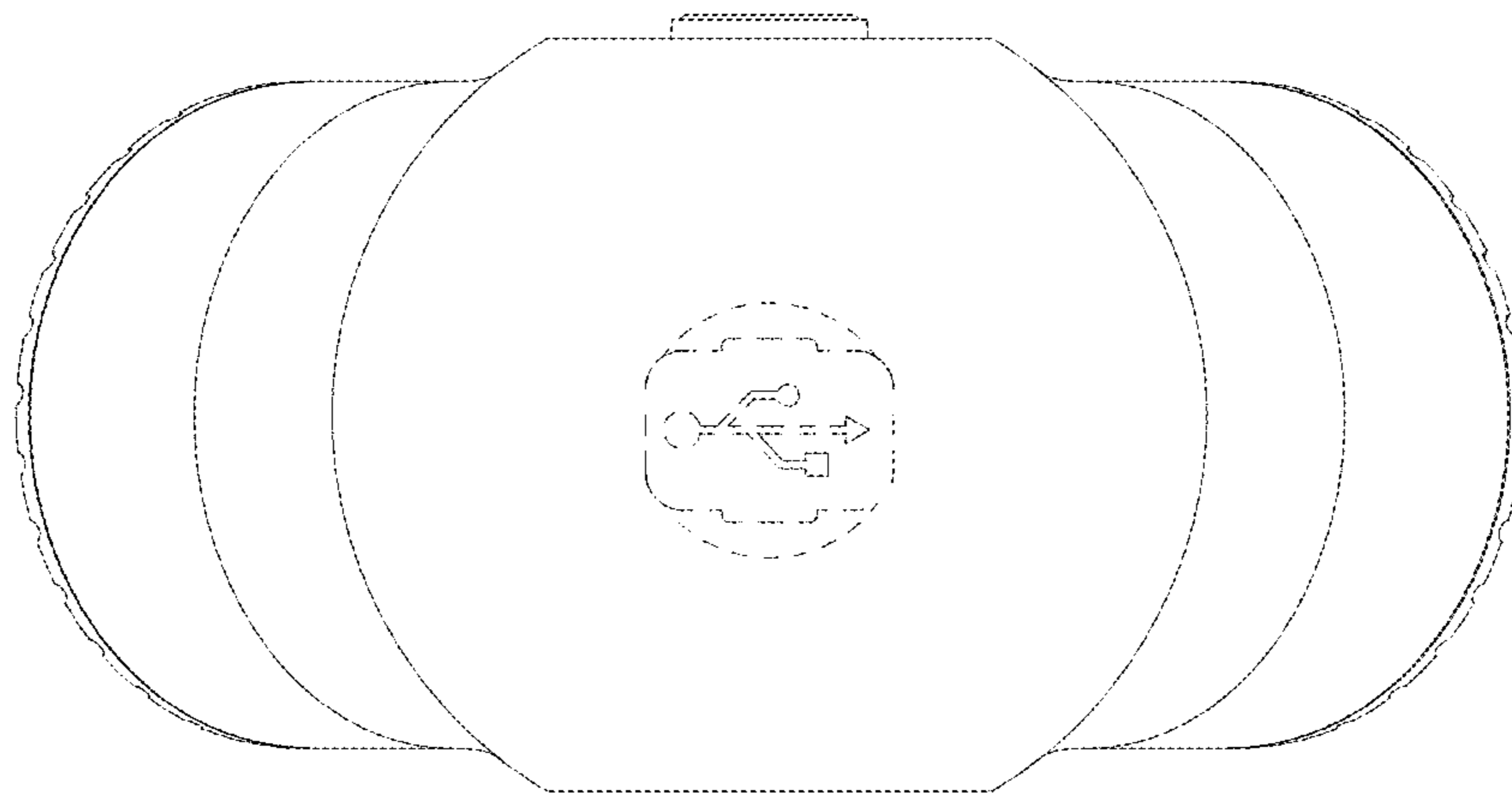


FIG.4



FIG.5

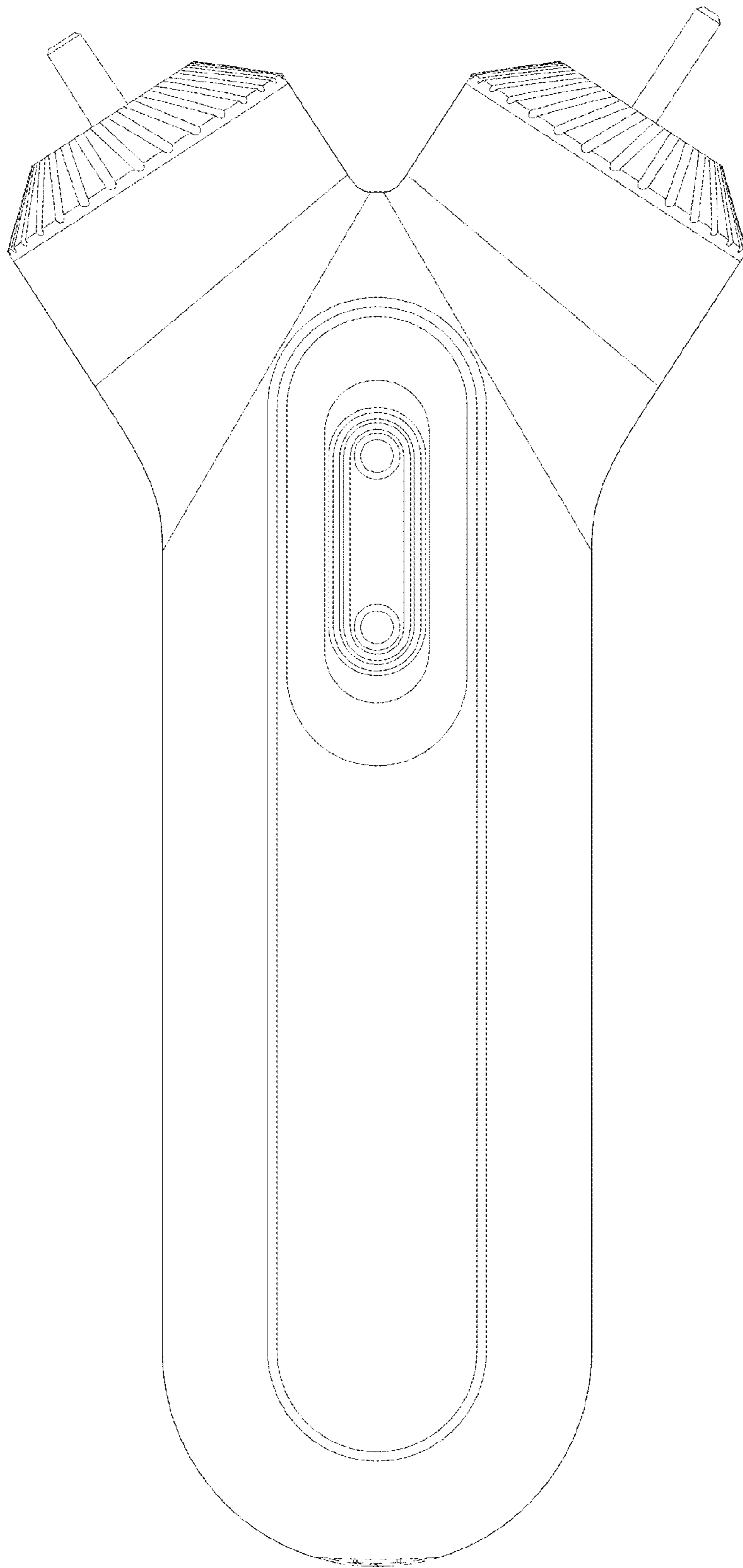


FIG.6

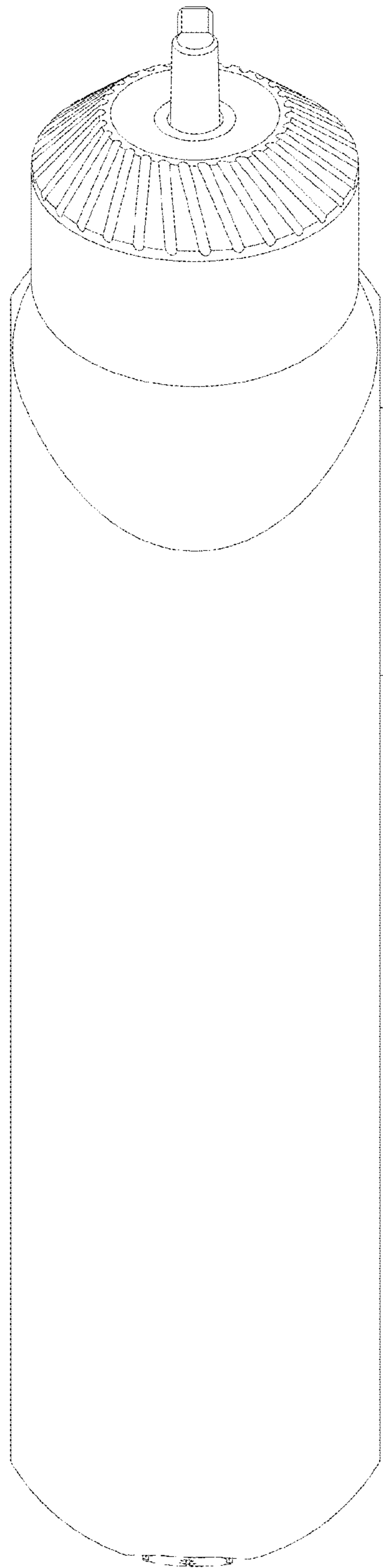


FIG.7