



US00D930241S

(12) **United States Design Patent** (10) **Patent No.:** **US D930,241 S**  
**Ahn** (45) **Date of Patent:** **\*\* Sep. 7, 2021**

(54) **RAZOR**  
(71) Applicant: **DORCO CO., LTD.**, Seoul (KR)  
(72) Inventor: **Hyo Sun Ahn**, Yongin-si (KR)  
(73) Assignee: **DORCO CO., LTD.**, Seoul (KR)  
(\*\*) Term: **15 Years**  
(21) Appl. No.: **29/737,369**  
(22) Filed: **Jun. 8, 2020**  
(30) **Foreign Application Priority Data**  
Apr. 28, 2020 (KR) ..... 30-2020-0018890  
(51) **LOC (13) Cl.** ..... **28-03**  
(52) **U.S. Cl.**  
USPC ..... **D28/46**  
(58) **Field of Classification Search**  
USPC ..... D28/46-48  
CPC ... B26B 21/00; B26B 21/08; B26B 21/14-18;  
B26B 21/185-227; B26B 21/40; B26B  
21/4062-4075; B26B 21/44-48; B26B  
21/30-32; B26B 21/50-528  
See application file for complete search history.  
(56) **References Cited**  
U.S. PATENT DOCUMENTS  
D259,065 S \* 4/1981 Byrne ..... D28/46  
D476,113 S \* 6/2003 Wonderley ..... D28/48  
D500,171 S \* 12/2004 Lee ..... D28/46  
D661,425 S \* 6/2012 Cataudella ..... D28/46

8,273,205 B2 \* 9/2012 Murgida ..... B26B 21/225  
156/242  
D670,029 S \* 10/2012 Hasegawa ..... D28/48  
8,448,339 B2 \* 5/2013 Walker, Jr. .... B26B 21/4018  
30/50  
D729,452 S \* 5/2015 Griffin ..... D28/48  
D739,605 S \* 9/2015 Christie ..... D28/48  
D822,278 S \* 7/2018 Ahn ..... D28/48  
D827,201 S \* 8/2018 Go ..... D28/48  
D843,659 S \* 3/2019 Go ..... D28/48  
D844,899 S \* 4/2019 Ahn ..... D28/48  
2021/0178618 A1 \* 6/2021 Han ..... B26B 21/40

\* cited by examiner

*Primary Examiner* — Jennifer Rivard

(74) *Attorney, Agent, or Firm* — Lee, Hong, Degerman,  
Kang & Waimey

(57) **CLAIM**

The ornamental design for a razor, as shown and described.

**DESCRIPTION**

FIG. 1 is a perspective view of a razor showing the new design;  
FIG. 2 is a front view thereof;  
FIG. 3 is a rear view thereof;  
FIG. 4 is a left side view thereof;  
FIG. 5 is a right side view thereof;  
FIG. 6 is a top plan view thereof;  
FIG. 7 is a bottom view thereof;  
FIG. 8 is a rear perspective view thereof;  
FIG. 9 is a cross-sectional view taken along line 9-9 in FIG. 6; and,  
FIG. 10 is a perspective view of FIG. 9.

**1 Claim, 10 Drawing Sheets**

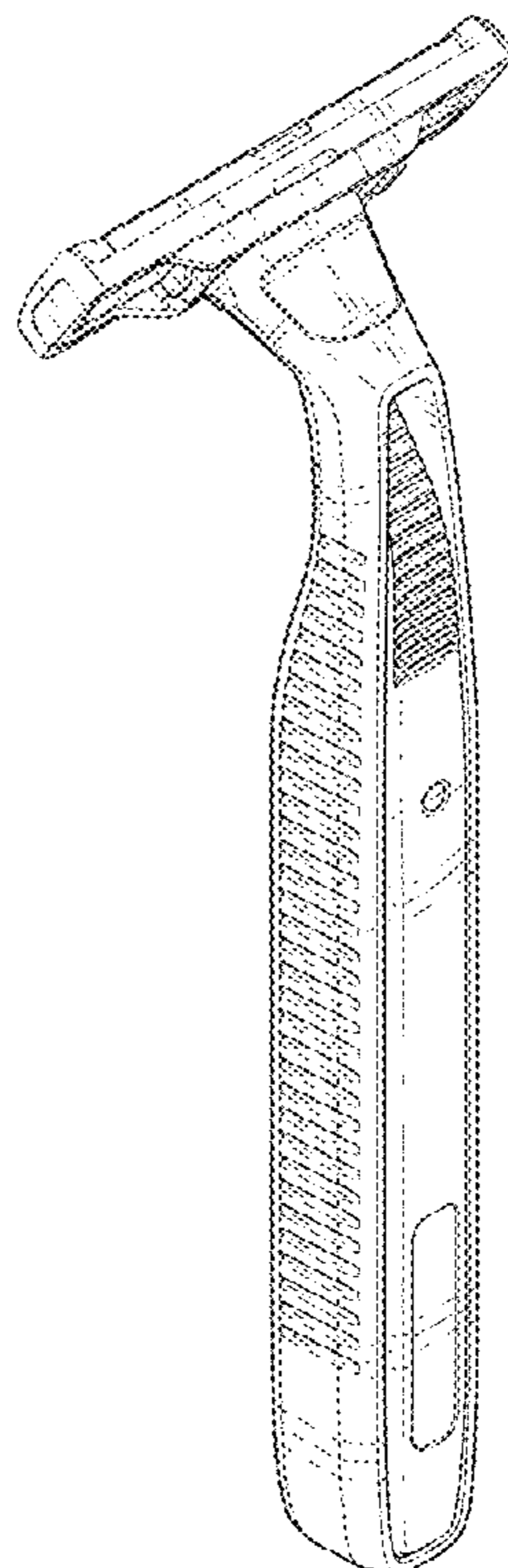


FIG. 1

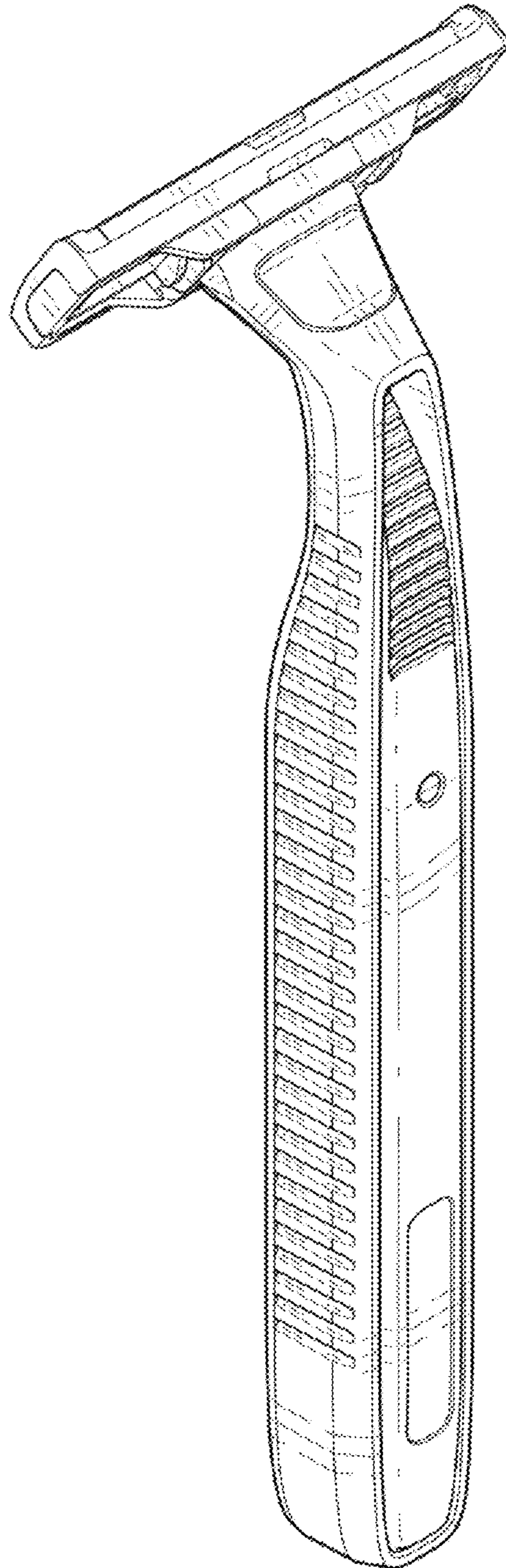


FIG. 2

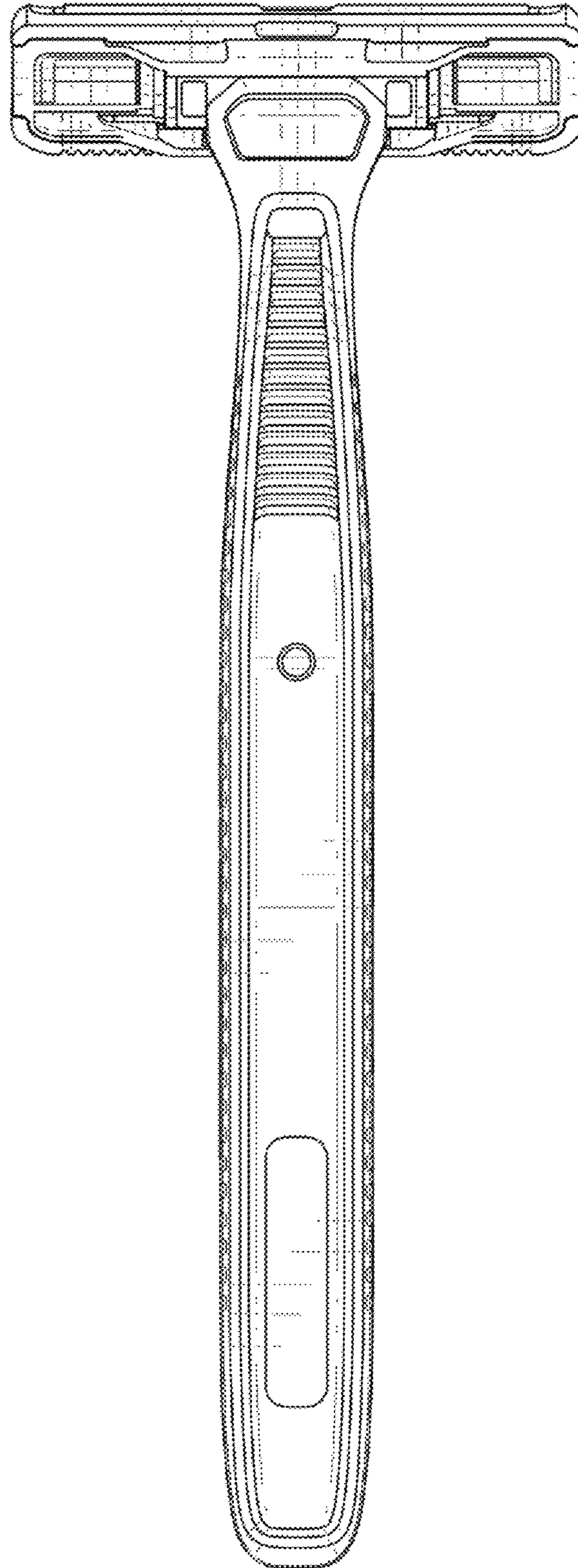




FIG. 3

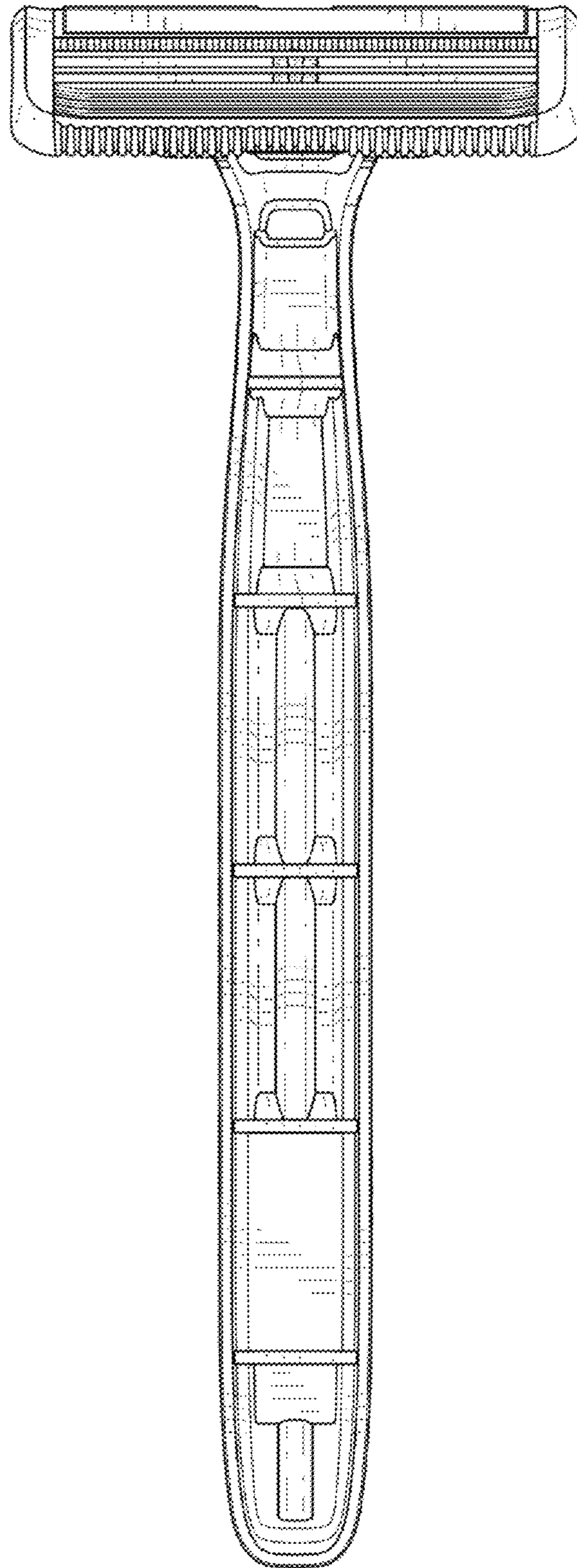


FIG. 4

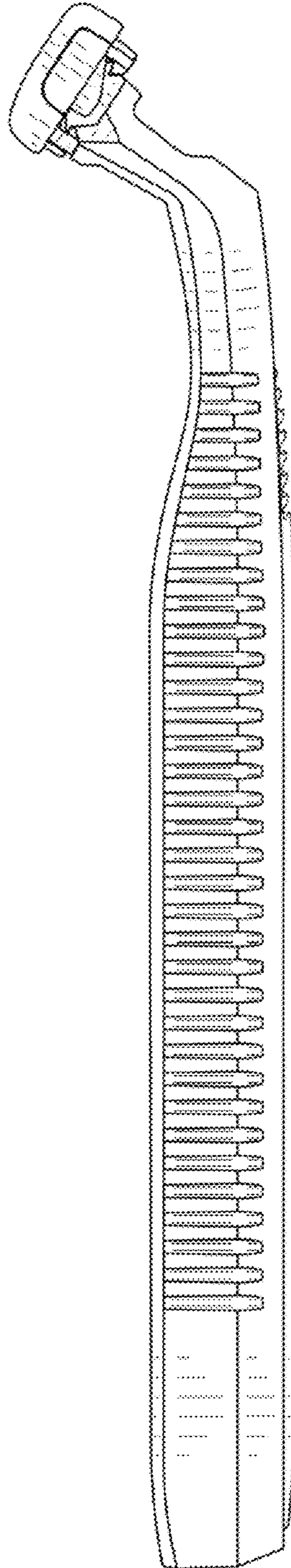


FIG. 5

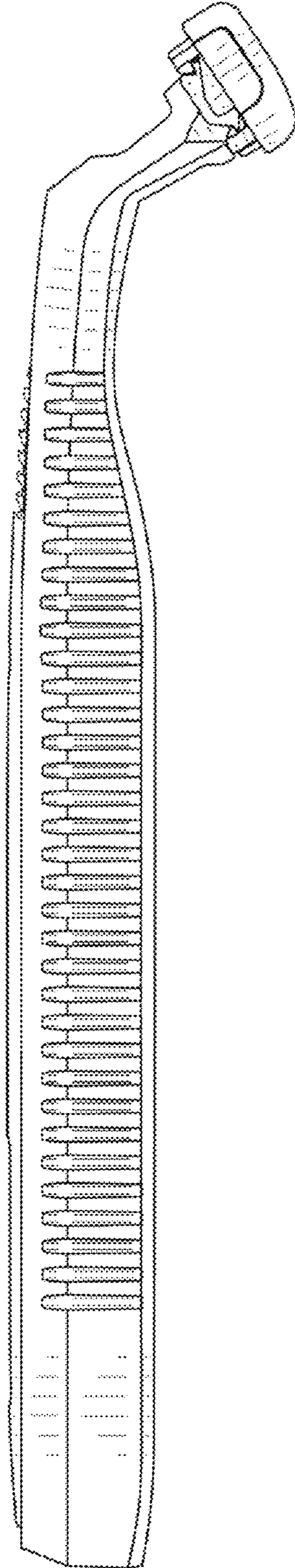


FIG. 6

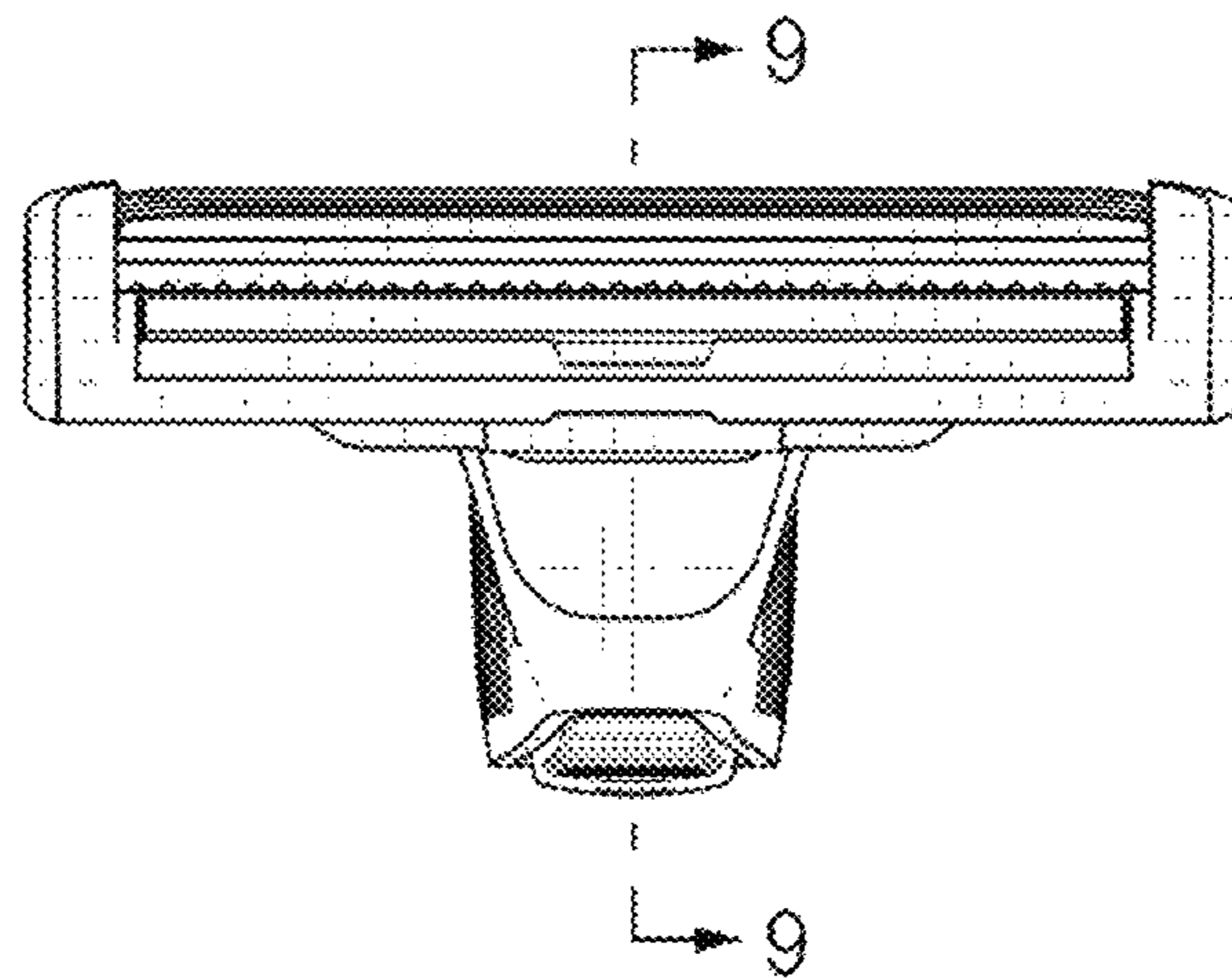


FIG. 7

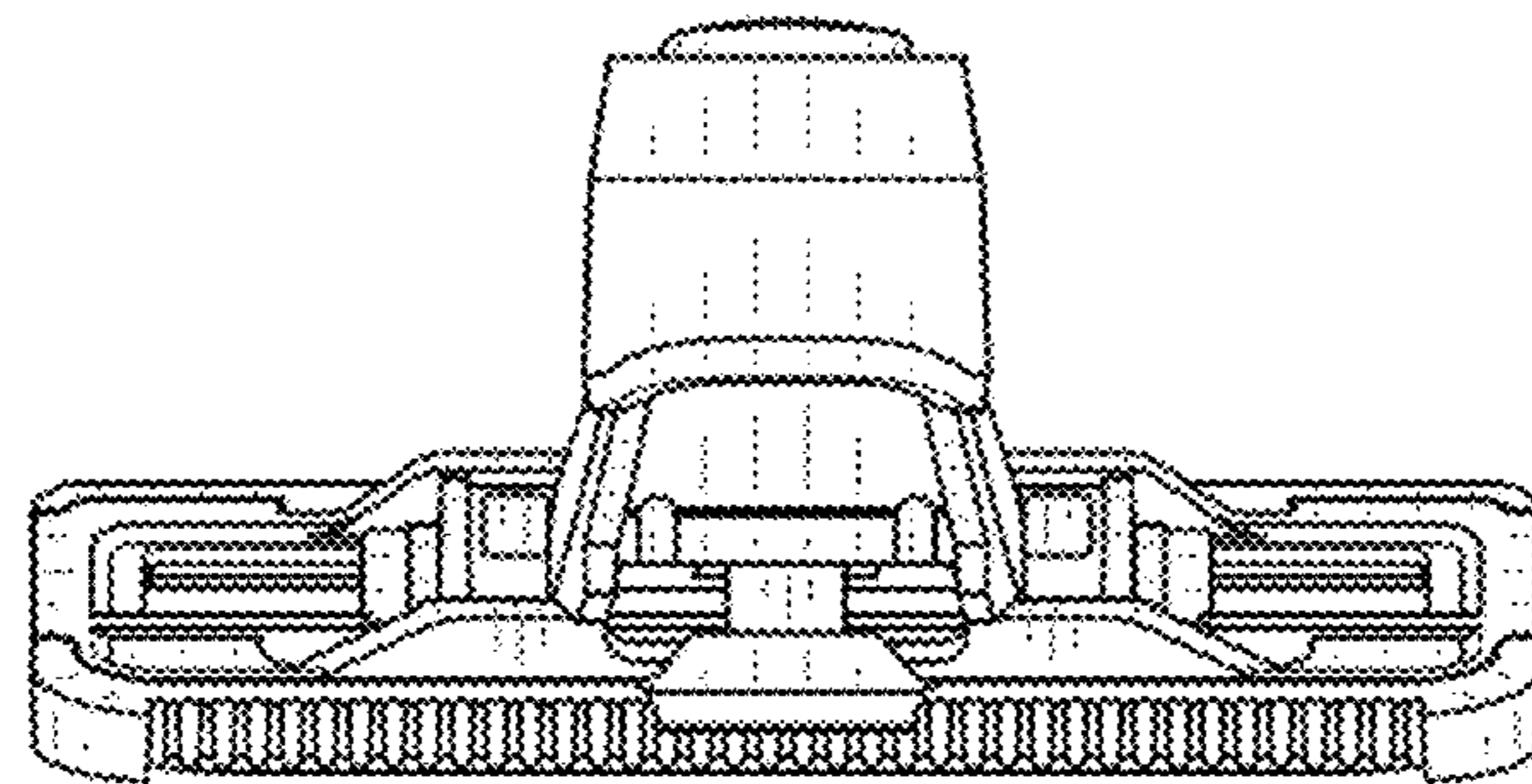




FIG. 8

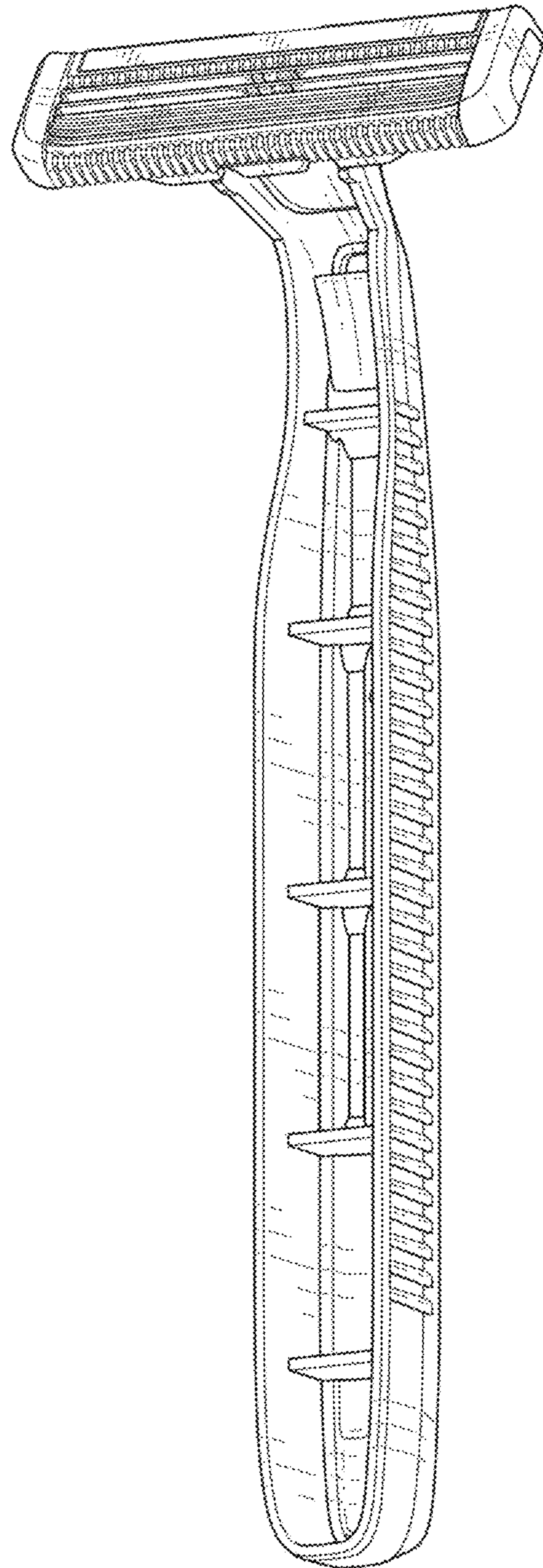


FIG. 9

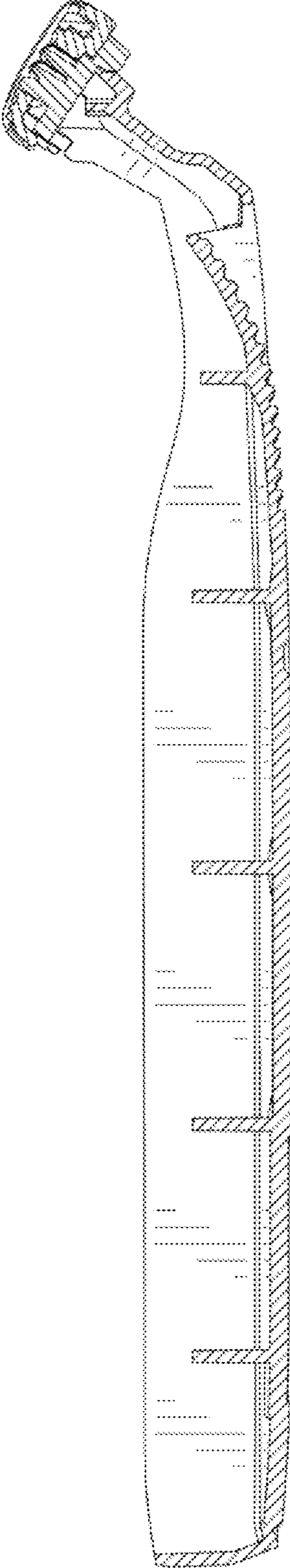


FIG. 10

