



US00D930240S

(12) **United States Design Patent**
Huang

(10) **Patent No.:** **US D930,240 S**
(45) **Date of Patent:** **** Sep. 7, 2021**

(54) **HAIR DRYER**

(71) Applicant: **GUANGDONG HUANENGDA ELECTRONIC APPLIANCES CO., LTD**, Jieyang (CN)

(72) Inventor: **Minxun Huang**, Jieyang (CN)

(73) Assignee: **GUANGDONG HUANENGDA ELECTRONIC APPLIANCES CO., LTD**, Jieyang (CN)

(**) Term: **15 Years**

(21) Appl. No.: **29/756,935**

(22) Filed: **Nov. 2, 2020**

(51) **LOC (13) Cl.** **28-03**

(52) **U.S. Cl.**
USPC **D28/13**

(58) **Field of Classification Search**
USPC D28/12-19; D8/29.1
CPC A45D 20/00; A45D 20/08; A45D 20/10; A45D 20/12; A45D 20/122; A45D 20/124; A45D 2020/128
See application file for complete search history.

(56) **References Cited**

U.S. PATENT DOCUMENTS

D262,062 S * 11/1981 Nagelkerke D28/13
D265,767 S * 8/1982 Stewart D28/13

D350,413 S * 9/1994 Feil D28/13
D425,662 S * 5/2000 Cheung D28/13
D469,574 S 1/2003 Lai
D546,501 S * 7/2007 Fukasawa D28/13
D710,541 S * 8/2014 Miyaji A45D 20/12
D28/13
D787,745 S 5/2017 Paramount
D850,717 S * 6/2019 Huang D28/13
D891,694 S * 7/2020 Hsu D28/13
D919,884 S * 5/2021 Huang D28/13

* cited by examiner

Primary Examiner — Zenia I Bennett

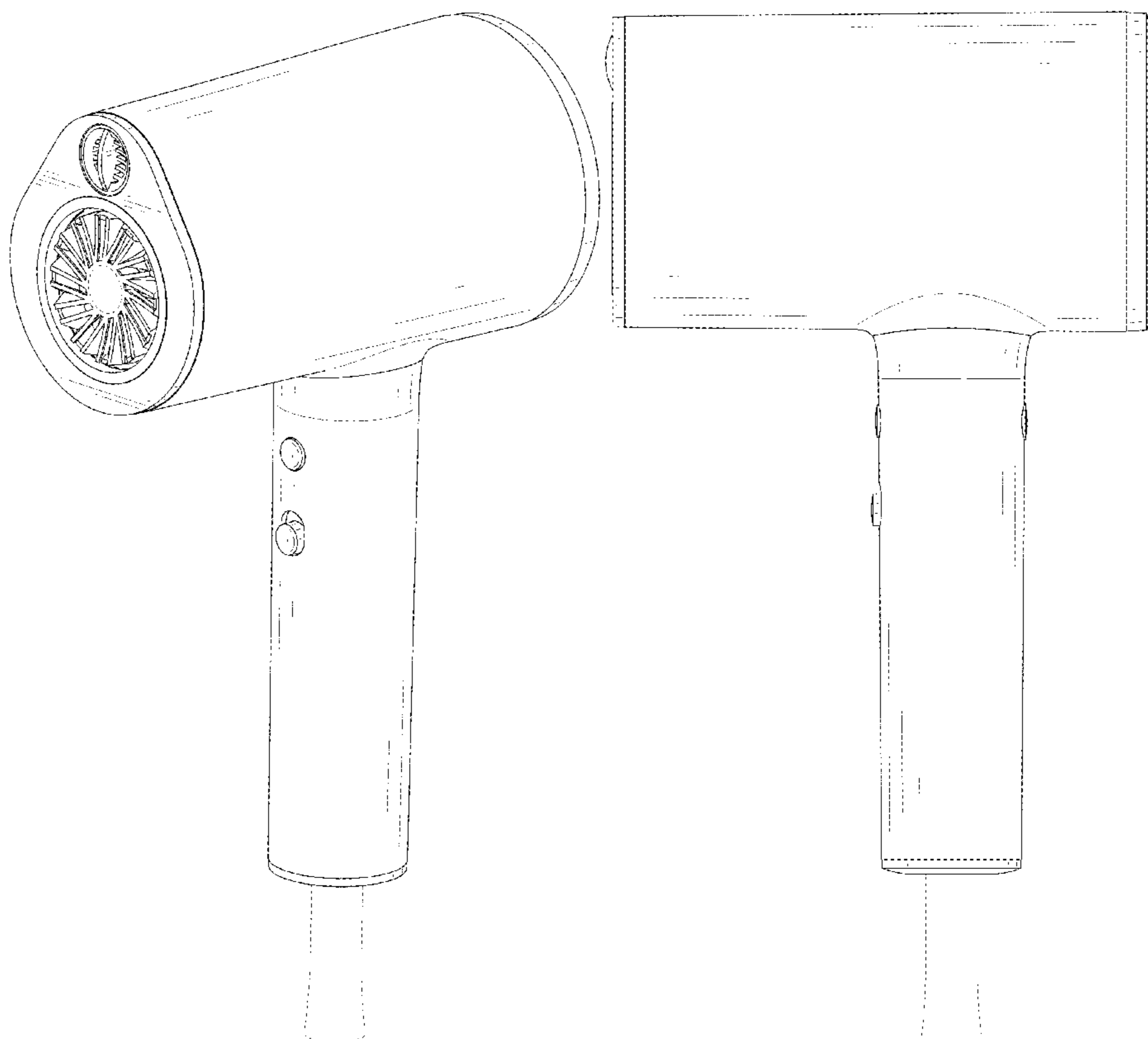
(57) **CLAIM**

The ornamental design for a hair dryer, as shown and described.

DESCRIPTION

FIG. 1 is a perspective view of a hair dryer showing my new design;
FIG. 2 is another perspective view thereof;
FIG. 3 is a front elevational view thereof;
FIG. 4 is a rear elevational view thereof;
FIG. 5 is a left side elevational view thereof;
FIG. 6 is a right side elevational view thereof;
FIG. 7 is a top plan view thereof;
FIG. 8 is a bottom plan view thereof; and,
FIG. 9 is an enlarged view of portion 9 shown in FIG. 2.
The broken lines in the drawings depict portions of the hair dryer that form no part of the claimed design.

1 Claim, 9 Drawing Sheets



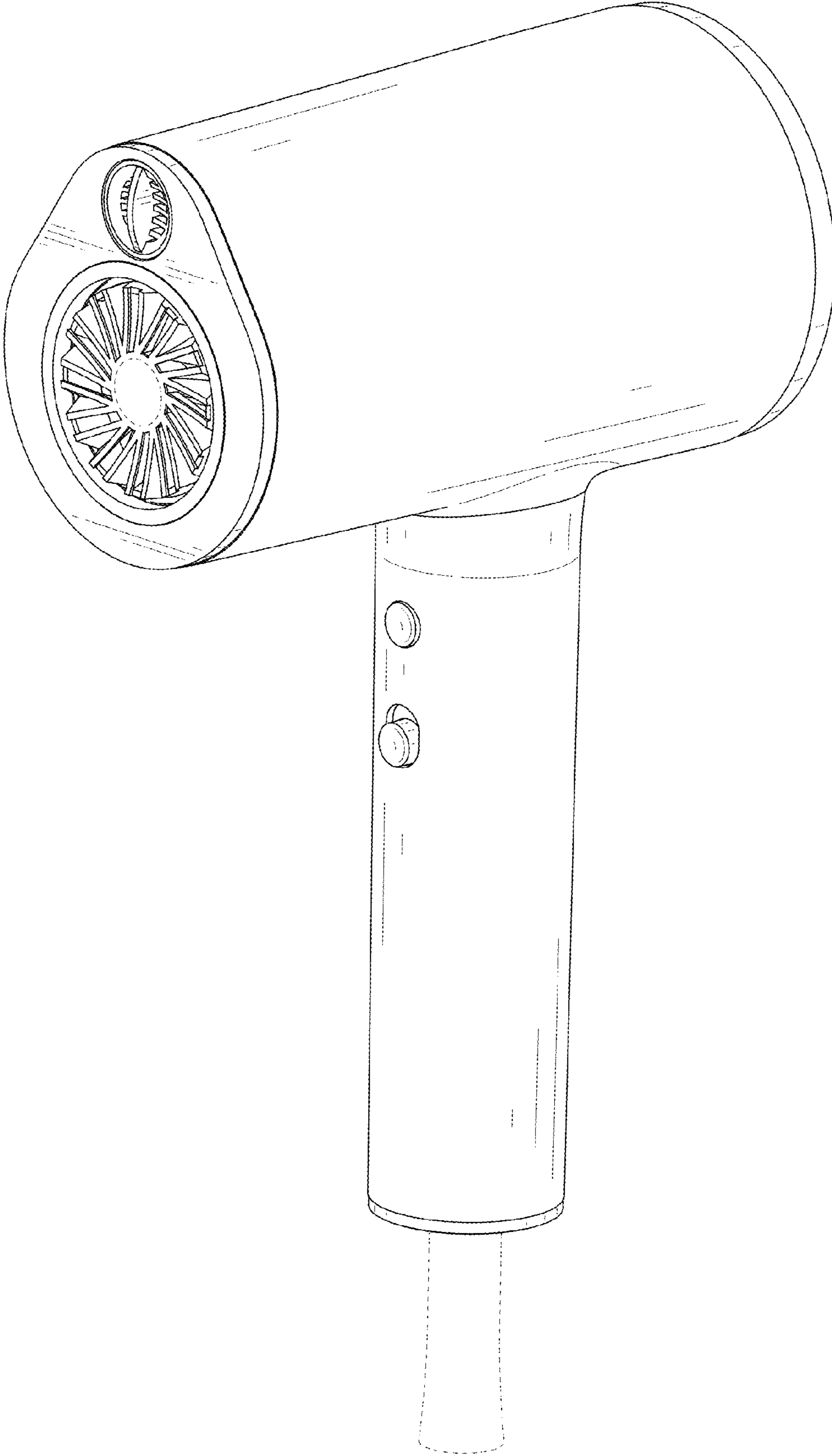


FIG. 1

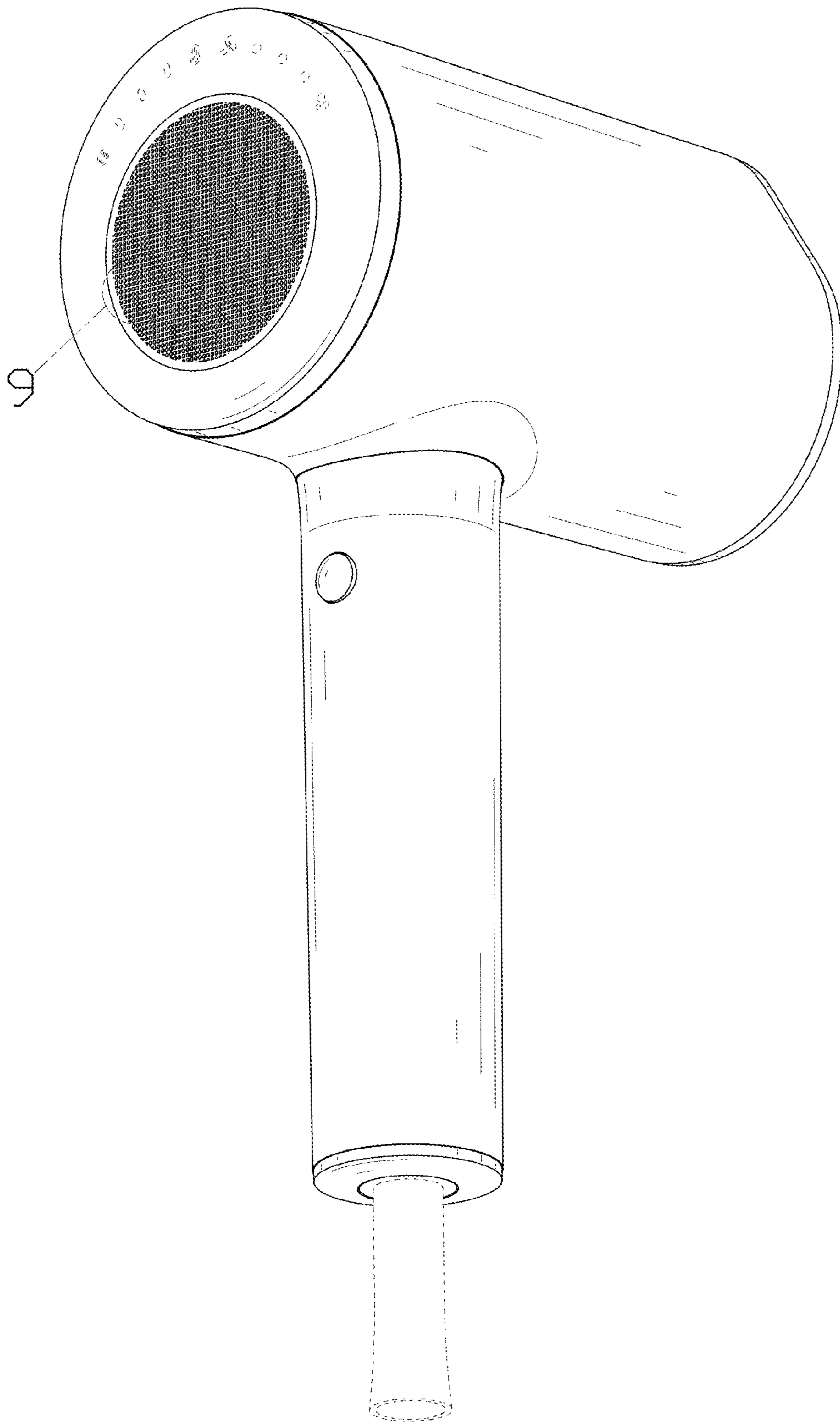


FIG. 2

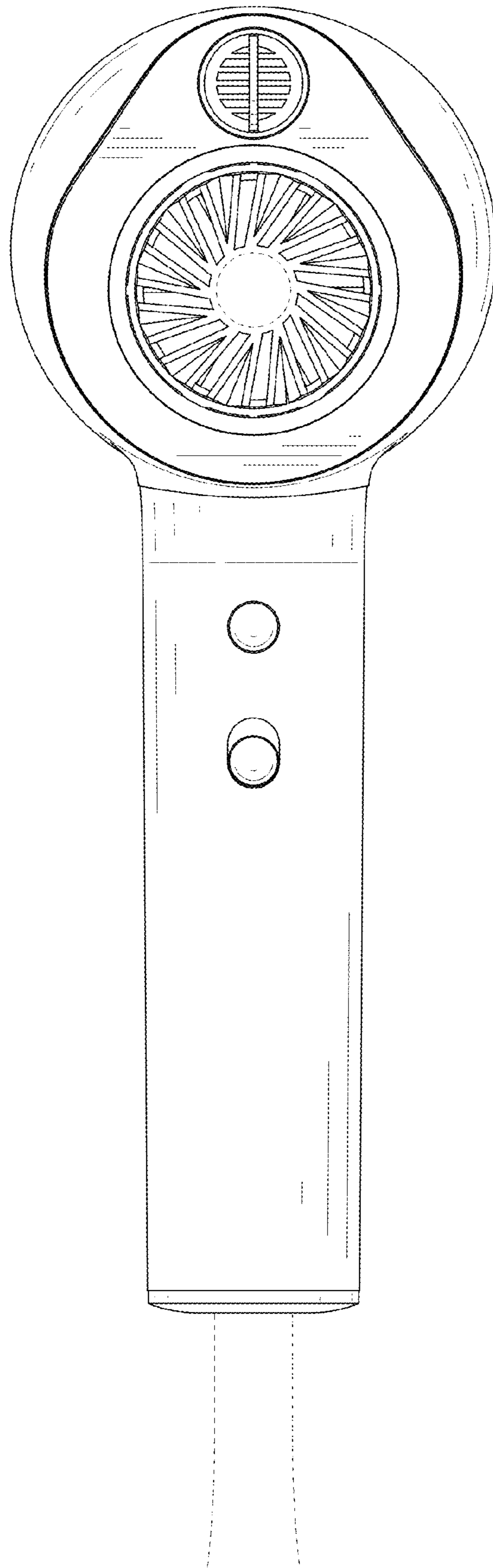


FIG. 3

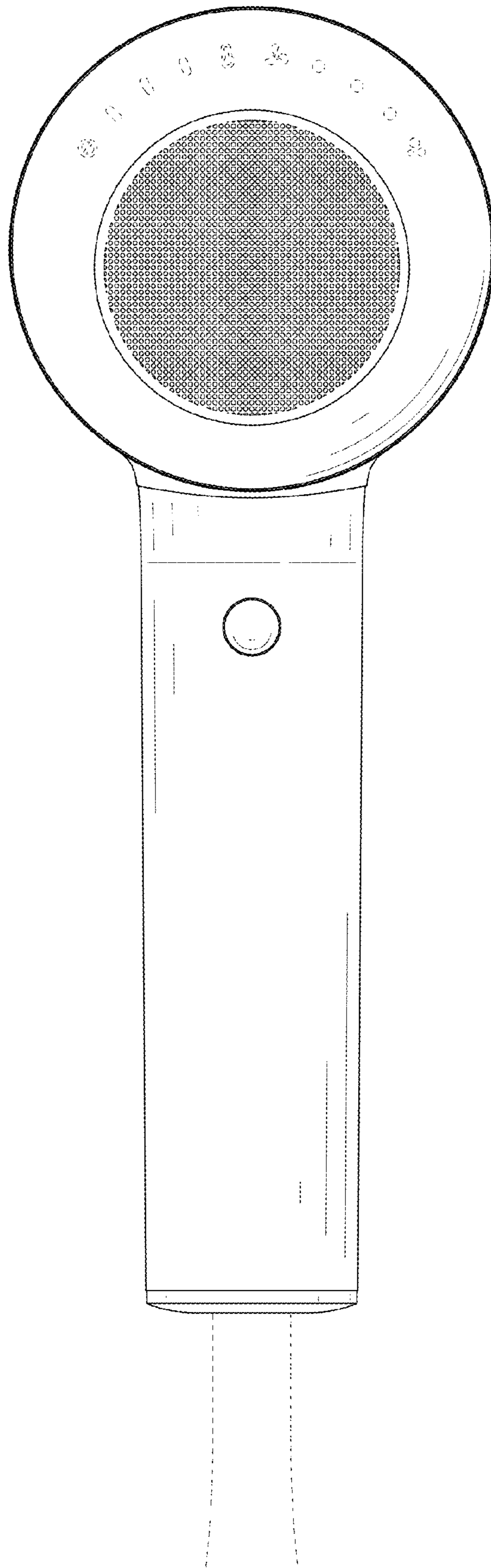


FIG. 4

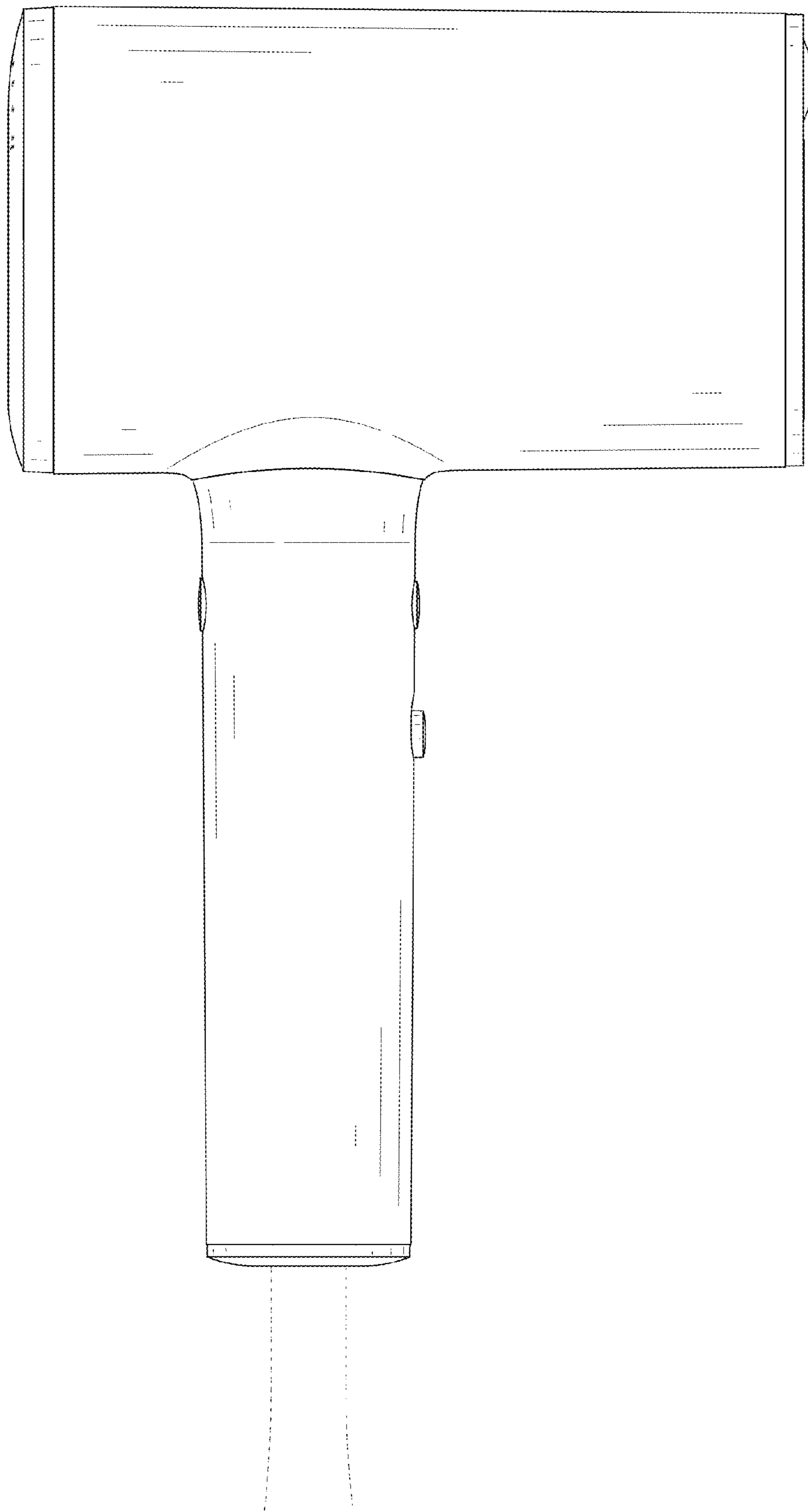


FIG. 5

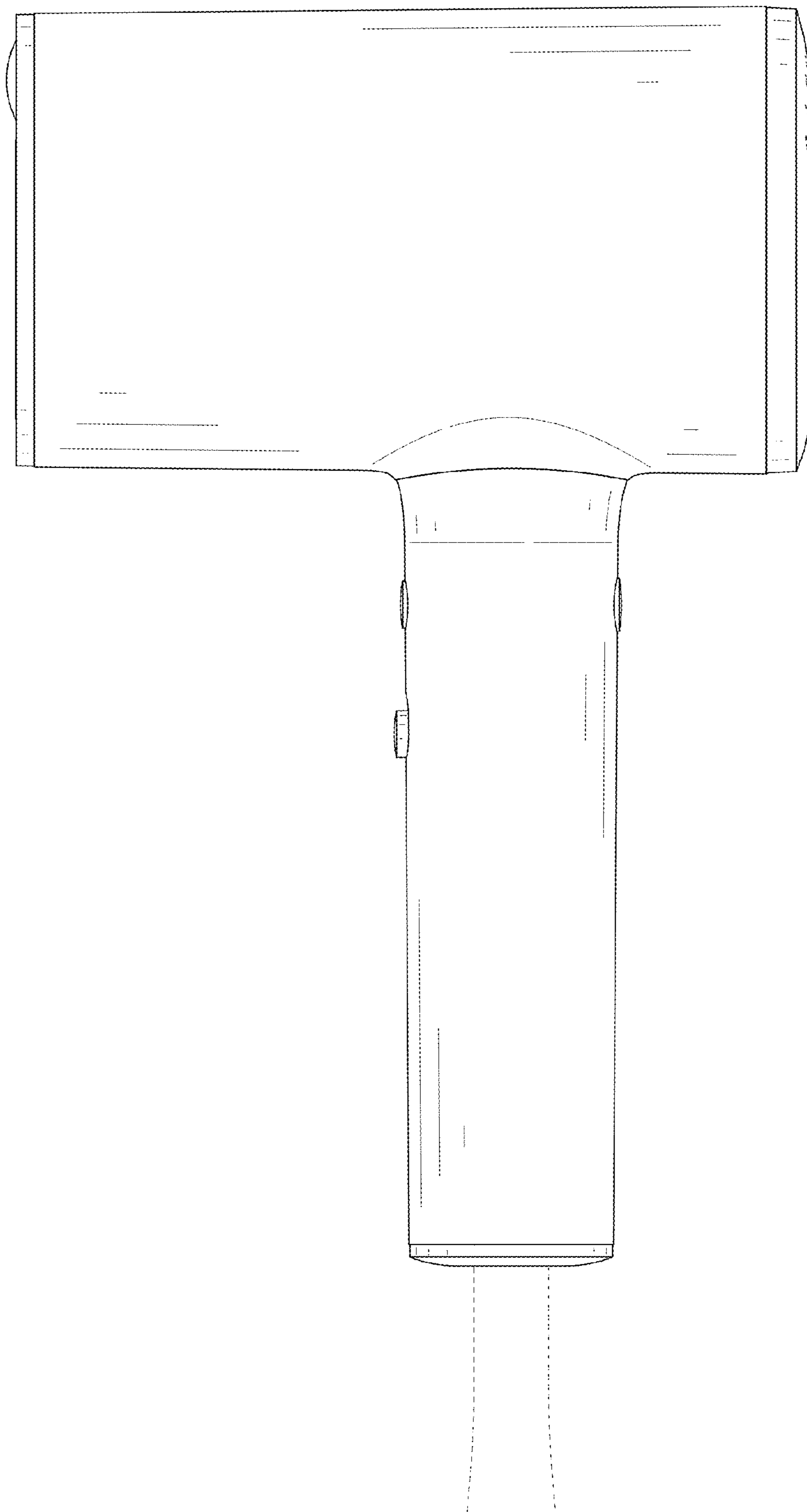


FIG. 6

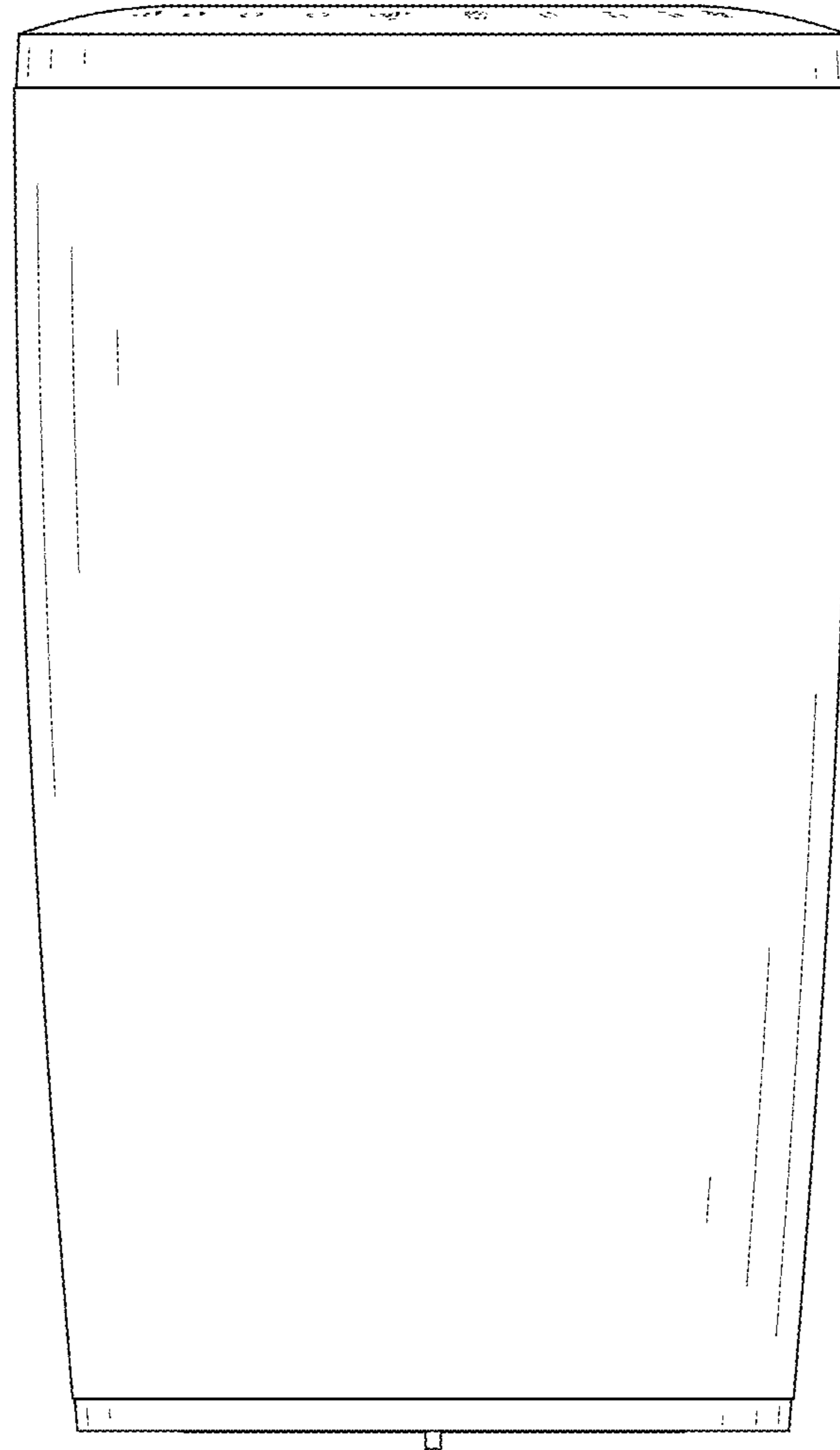


FIG. 7

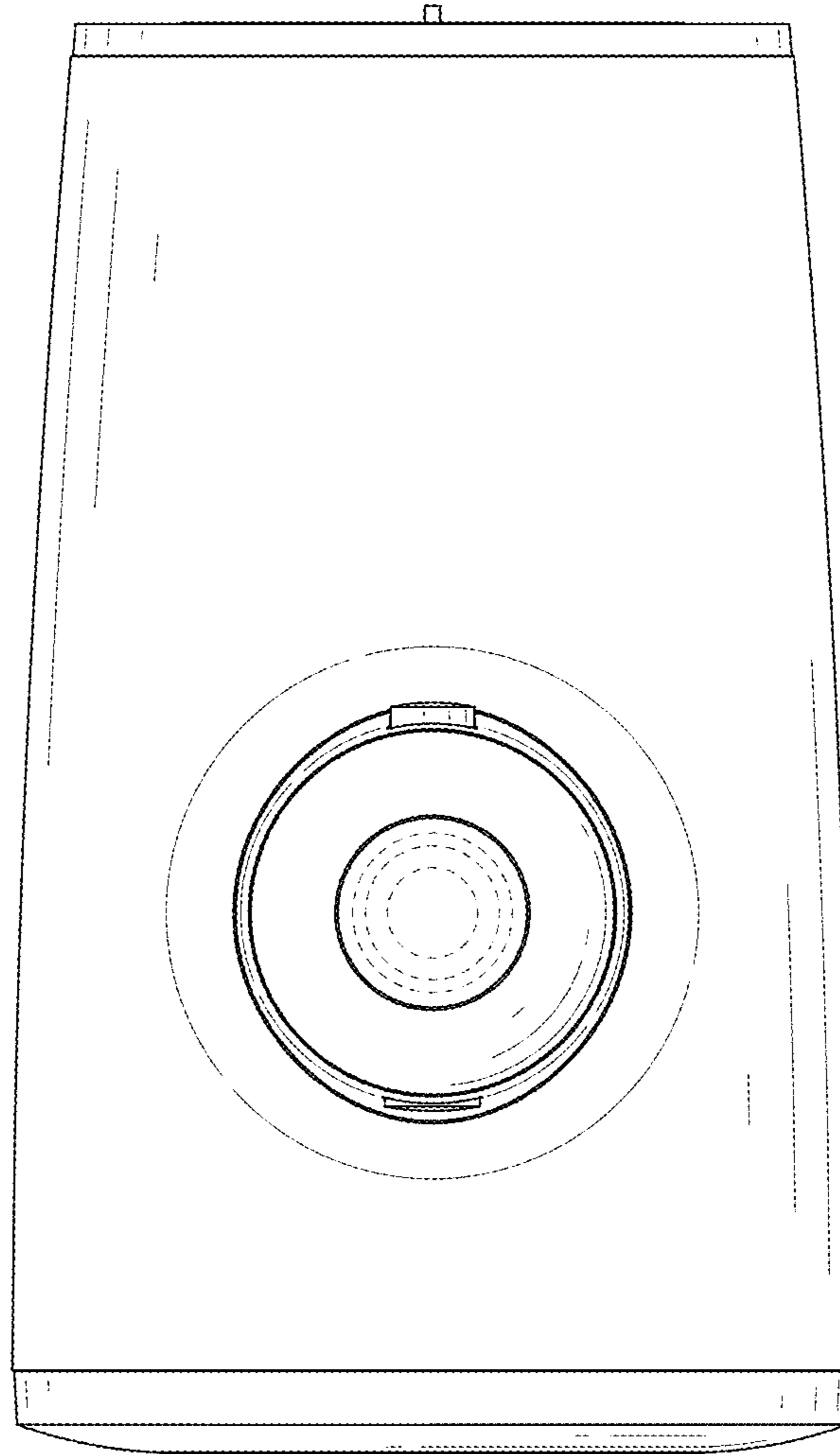


FIG. 8

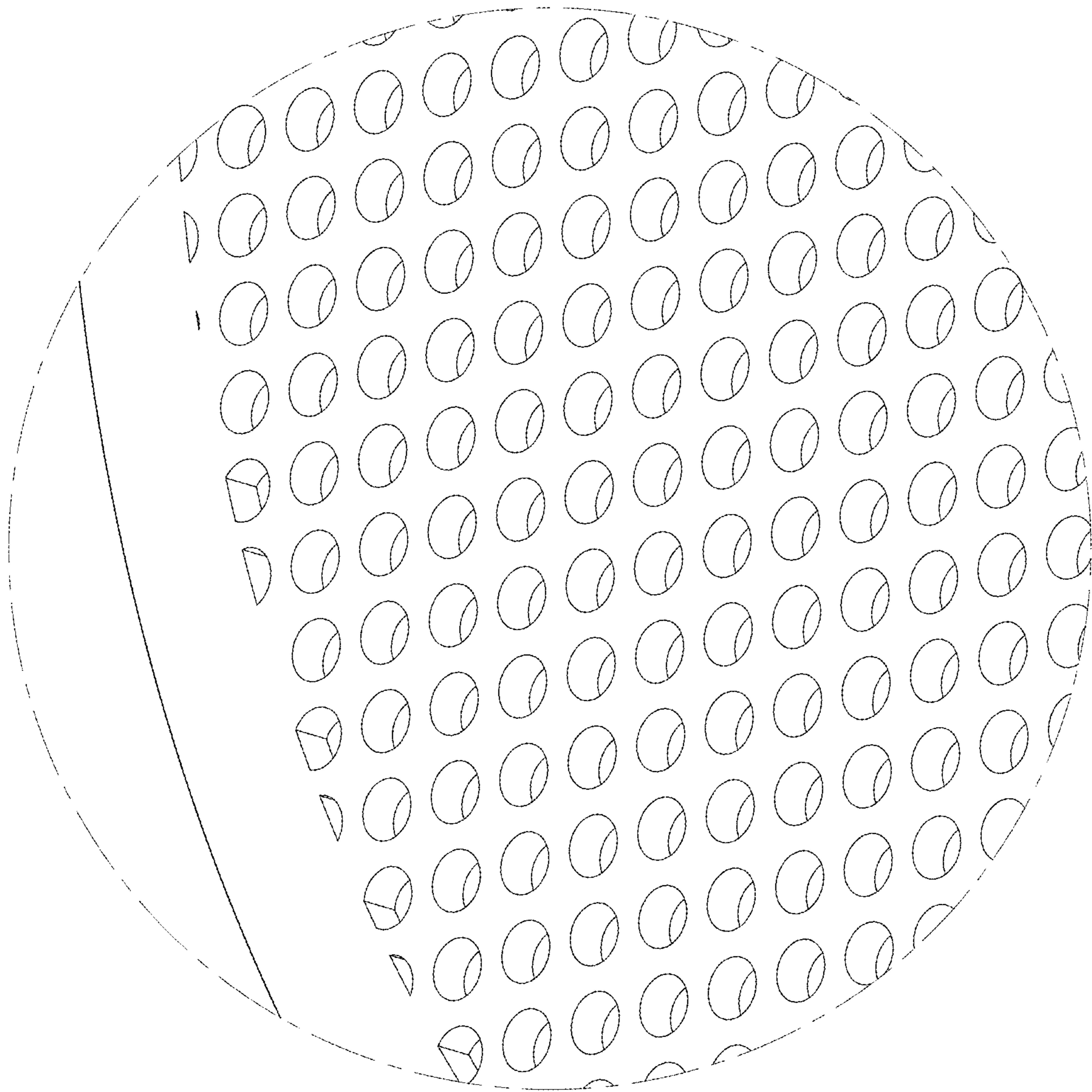


FIG. 9