



US00D930238S

(12) **United States Design Patent** (10) **Patent No.:** **US D930,238 S**  
**Feijoo et al.** (45) **Date of Patent:** **\*\* Sep. 7, 2021**

(54) **PRODUCT APPLICATOR**  
(71) Applicant: **Coty Inc.**, New York, NY (US)  
(72) Inventors: **Ismael V. Feijoo**, Amsterdam (NL);  
**Andrew Gregory Spitz**, Amsterdam  
(NL); **Ruben van der Vleuten**,  
Amsterdam (NL)  
(73) Assignee: **Coty Inc.**, New York, NY (US)  
(\*\*) Term: **15 Years**  
(21) Appl. No.: **29/691,475**  
(22) Filed: **May 16, 2019**  
(51) **LOC (13) Cl.** ..... **28-03**  
(52) **U.S. Cl.**  
USPC ..... **D28/7**  
(58) **Field of Classification Search**  
USPC ..... D28/7, 8, 20–22, 30–31, 76, 85, 99;  
D32/40–45; D24/133  
CPC ..... A45D 2200/10; A45D 2200/1009; A45D  
2200/1018; A61B 2017/00734  
See application file for complete search history.

D837,545 S \* 1/2019 Jahns ..... D6/349  
D850,196 S \* 6/2019 Rickstrew ..... D7/401.2  
D854,744 S \* 7/2019 Tanaka ..... D28/7  
D889,745 S \* 7/2020 Langdon ..... D28/7

**OTHER PUBLICATIONS**

“The Ring Grip”, Grace Beauty (gracebeautyforall)—Instagram photos and videos, [Online] Retrieved from the Internet: <URL: <https://www.instagram.com/p/Bu8rwmBgE4q/>>, (Mar. 13, 2019), 1 pg.

(Continued)

*Primary Examiner* — Zenia I Bennett

(74) *Attorney, Agent, or Firm* — Schwegman Lundberg & Woessner, P.A.

(57) **CLAIM**

The ornamental design for a product applicator, as shown and described.

**DESCRIPTION**

This patent application claims the benefit of U.S. Provisional Patent App. Ser. No. 62/803,066, filed Feb. 8, 2019, entitled “Product customization and adaptability” which is incorporated by reference herein in its entirety.

FIG. 1 is a perspective view of a product applicator showing our new design;

FIG. 2 is a front view of the product applicator of FIG. 1;

FIG. 3 is a rear view of the product applicator of FIG. 1;

FIG. 4 is a left side view of the product applicator of FIG. 1;

FIG. 5 is a right side view of the product applicator of FIG. 1;

FIG. 6 is a top view of the product applicator of FIG. 1; and,

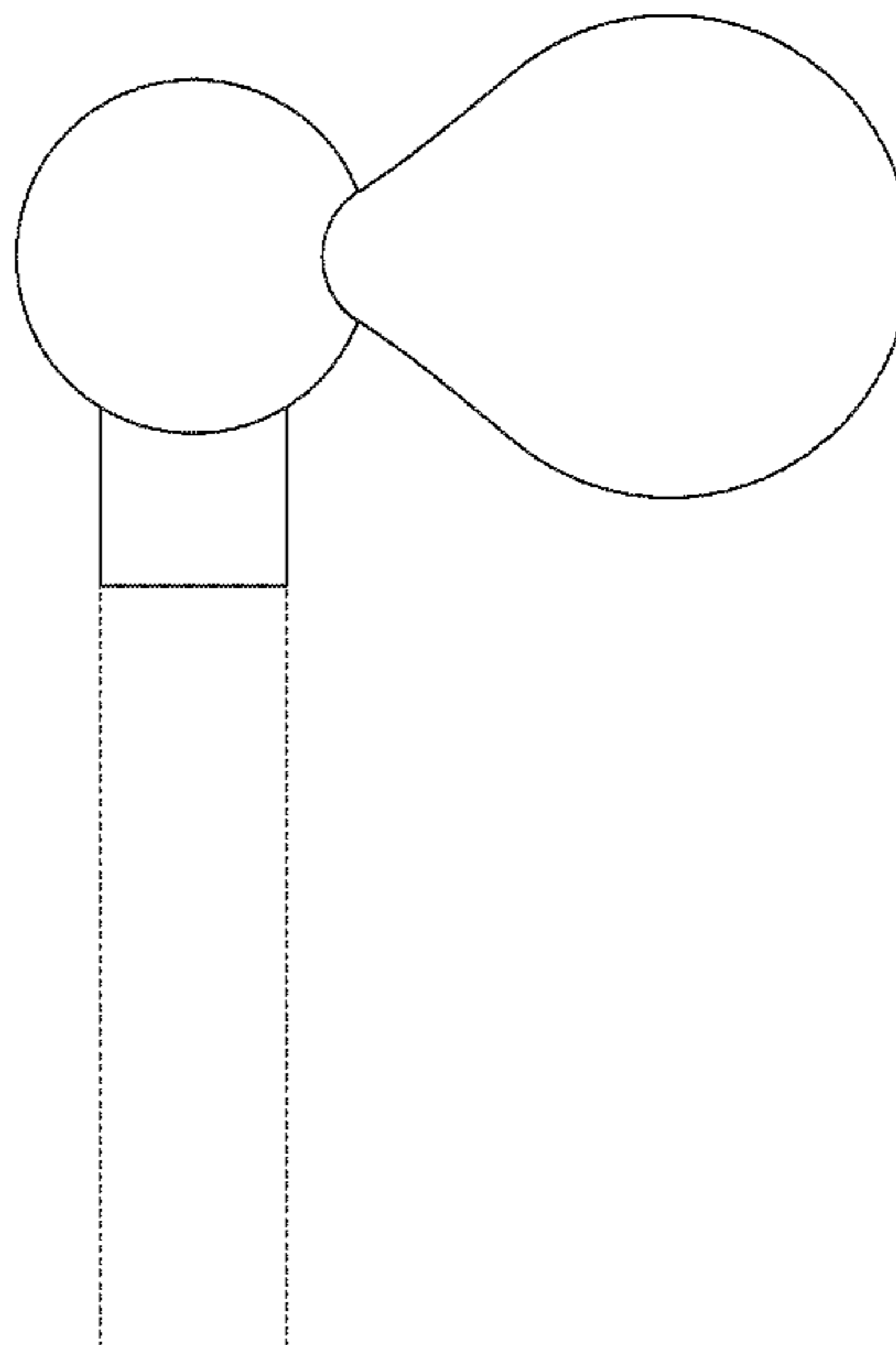
FIG. 7 is a bottom view of the product applicator of FIG. 1.

**1 Claim, 5 Drawing Sheets**

(56) **References Cited**

**U.S. PATENT DOCUMENTS**

D214,608 S \* 7/1969 Howell et al. .... D28/7  
D238,212 S \* 12/1975 Kingsford ..... D28/7  
D252,911 S \* 9/1979 Levy ..... D28/7  
D299,972 S \* 2/1989 Moore ..... 401/208  
D378,026 S \* 2/1997 Balazs ..... D28/7  
D418,246 S \* 12/1999 Turri ..... D24/119  
D422,748 S \* 4/2000 Lang ..... D19/117  
D429,847 S \* 8/2000 Lang ..... D28/7  
D445,232 S \* 7/2001 Price ..... D12/179  
D532,671 S \* 11/2006 Skillas ..... D8/107  
D654,217 S \* 2/2012 Brodish ..... D28/7  
D661,964 S \* 6/2012 Pangborn ..... D8/107  
D681,810 S \* 5/2013 DeCarlo ..... D24/144  
D703,270 S \* 4/2014 Dyer ..... D19/178



(56)

**References Cited**

OTHER PUBLICATIONS

“The Safe Grip”, Grace Beauty (gracebeautyforall)—Instagram photos and videos, [Online] Retrieved from the Internet: <URL: <https://www.instagram.com/p/Bu-2XliA4Eh/>>, (Mar. 14, 2019), 1 pg.

“The Square Grip”, Grace Beauty (gracebeautyforall)—Instagram photos and videos, [Online] Retrieved from the Internet: <URL: <https://www.instagram.com/p/Bu-8XFdgZR0/>>, (Mar. 14, 2019), 1 pg.

\* cited by examiner

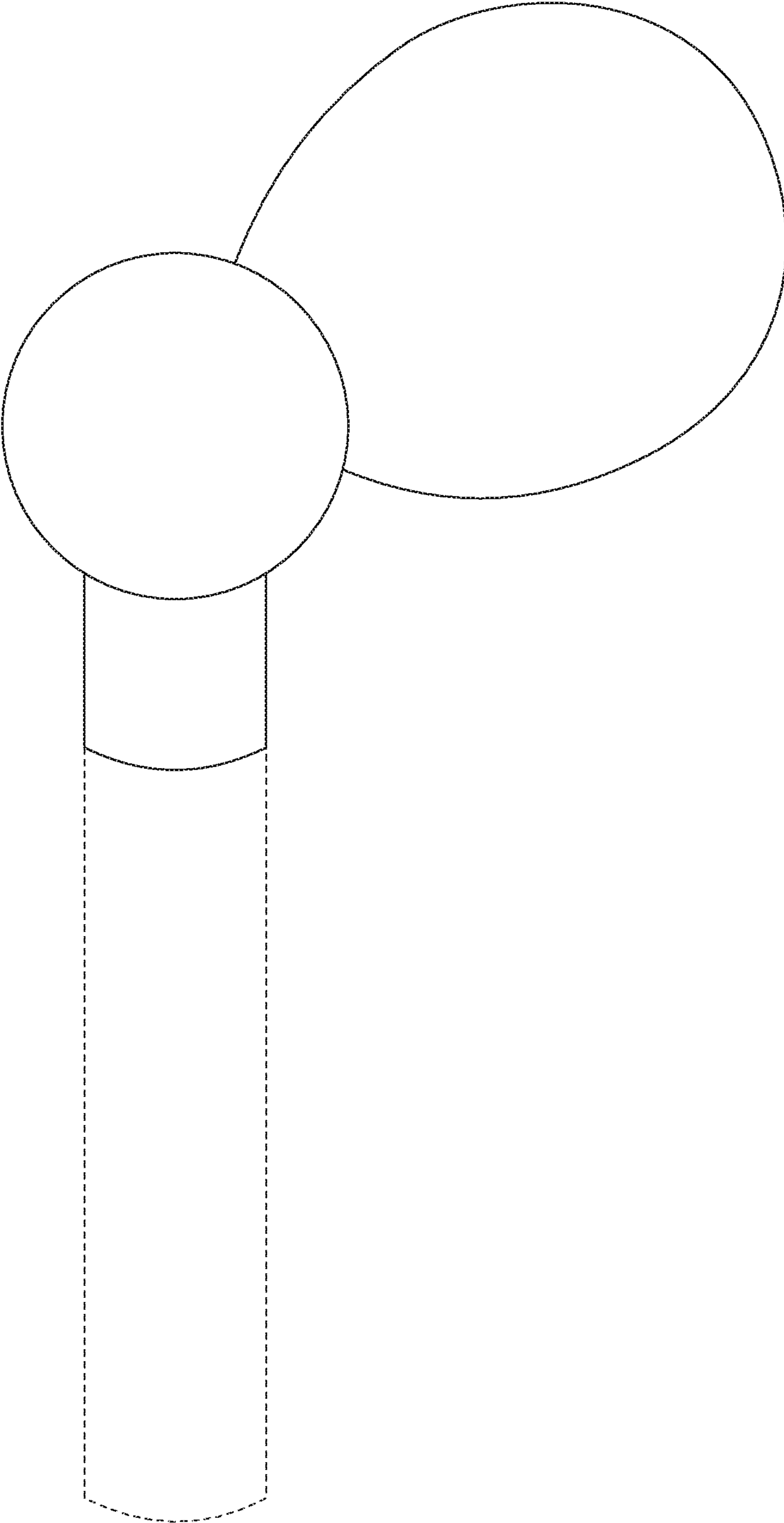


FIG. 1

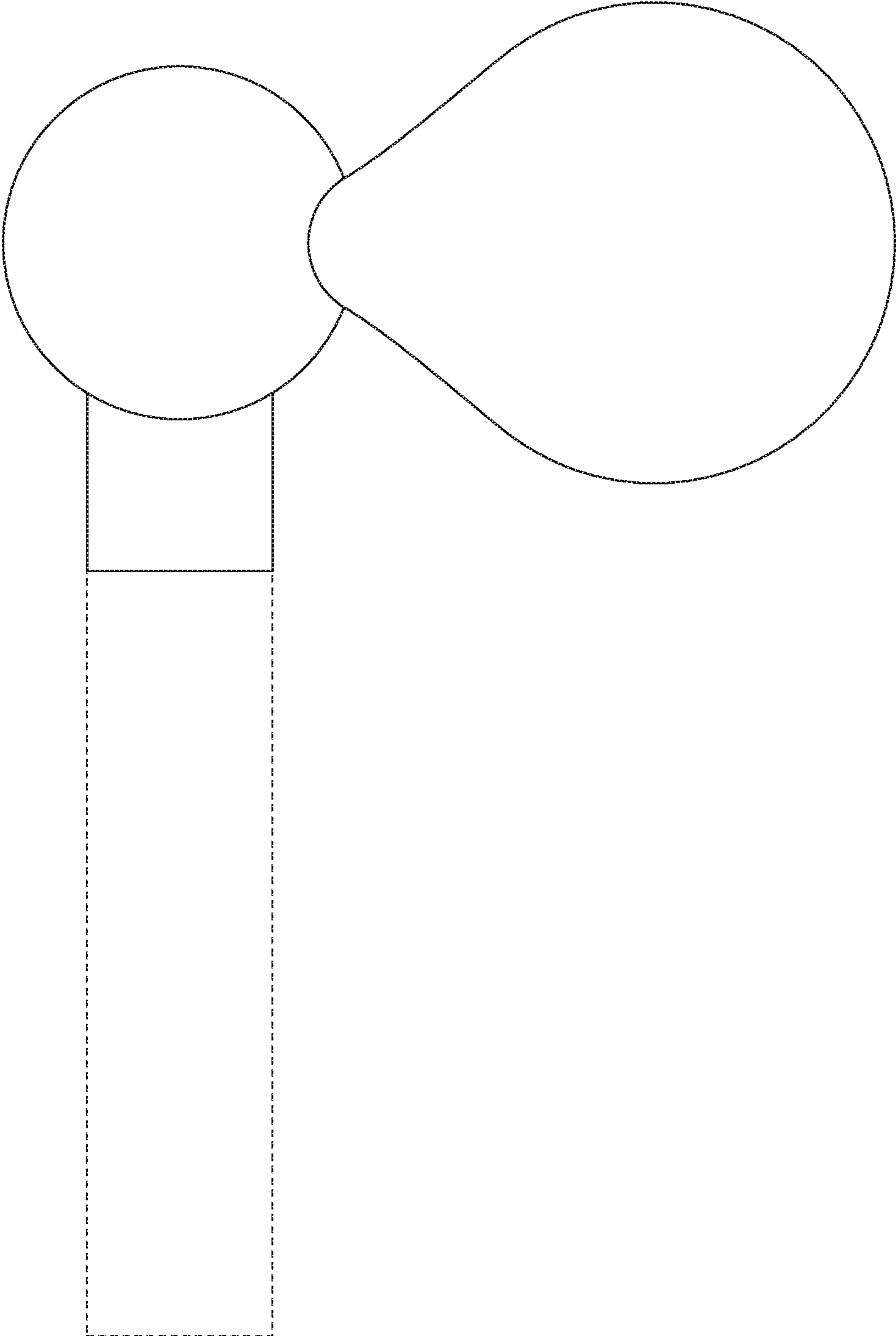


FIG. 2

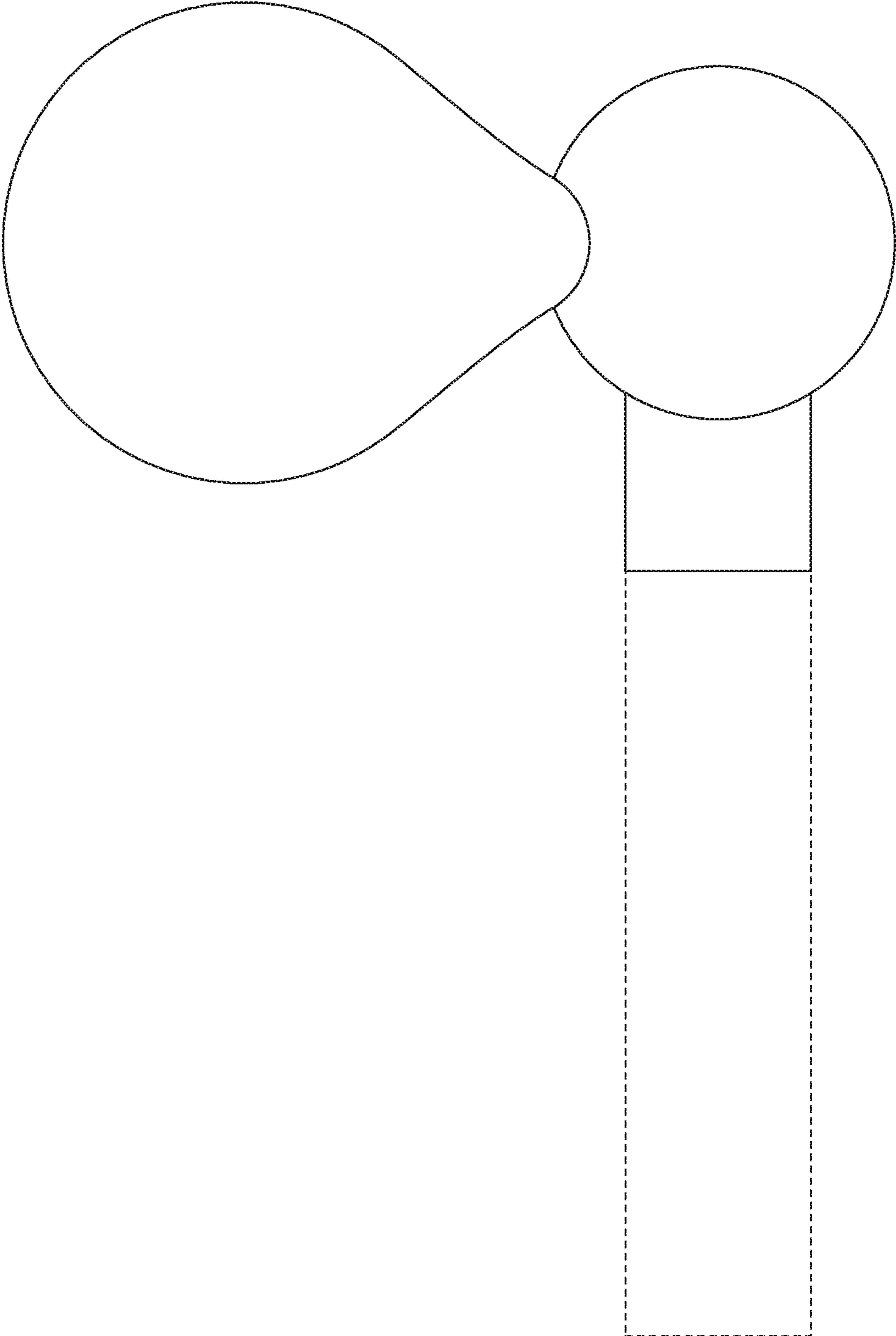


FIG. 3

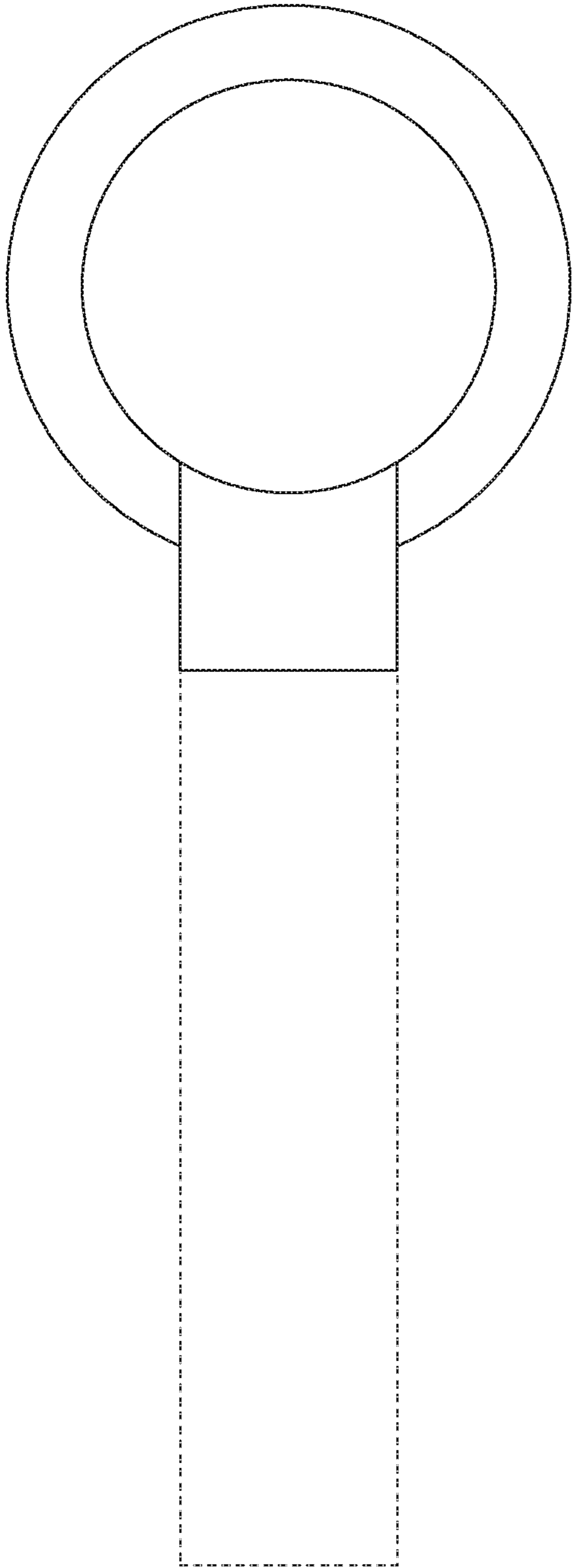


FIG. 4

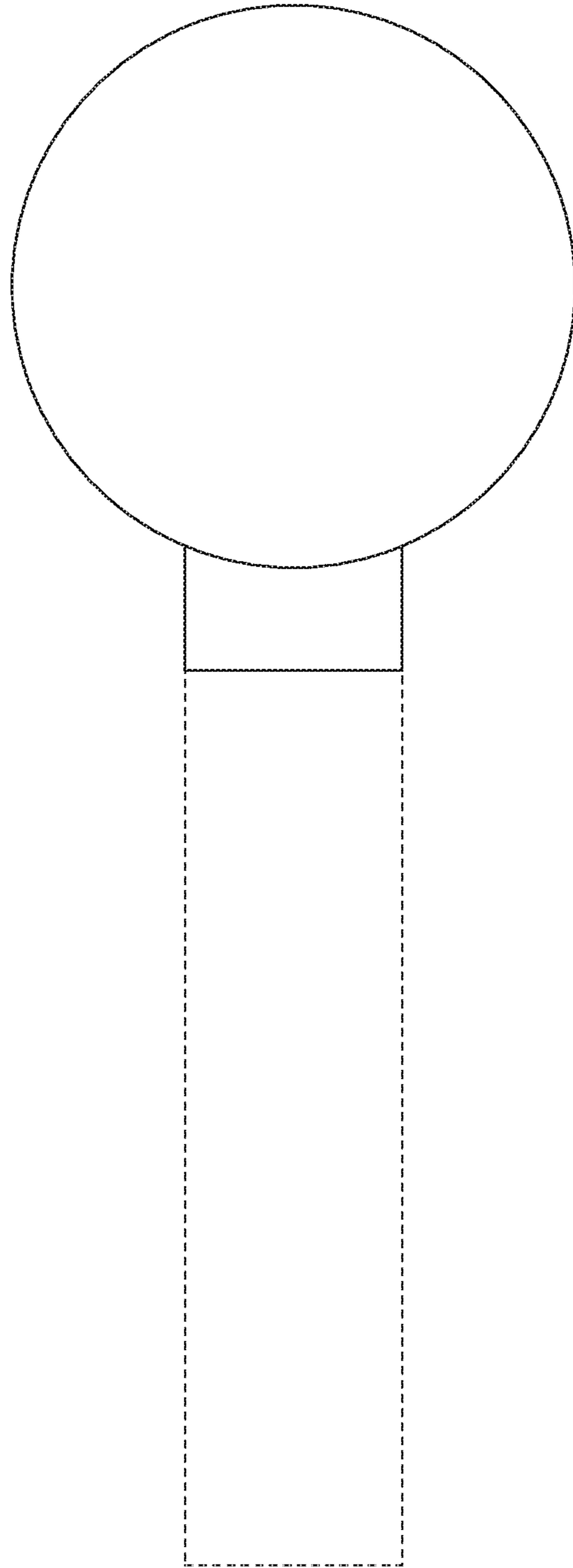


FIG. 5

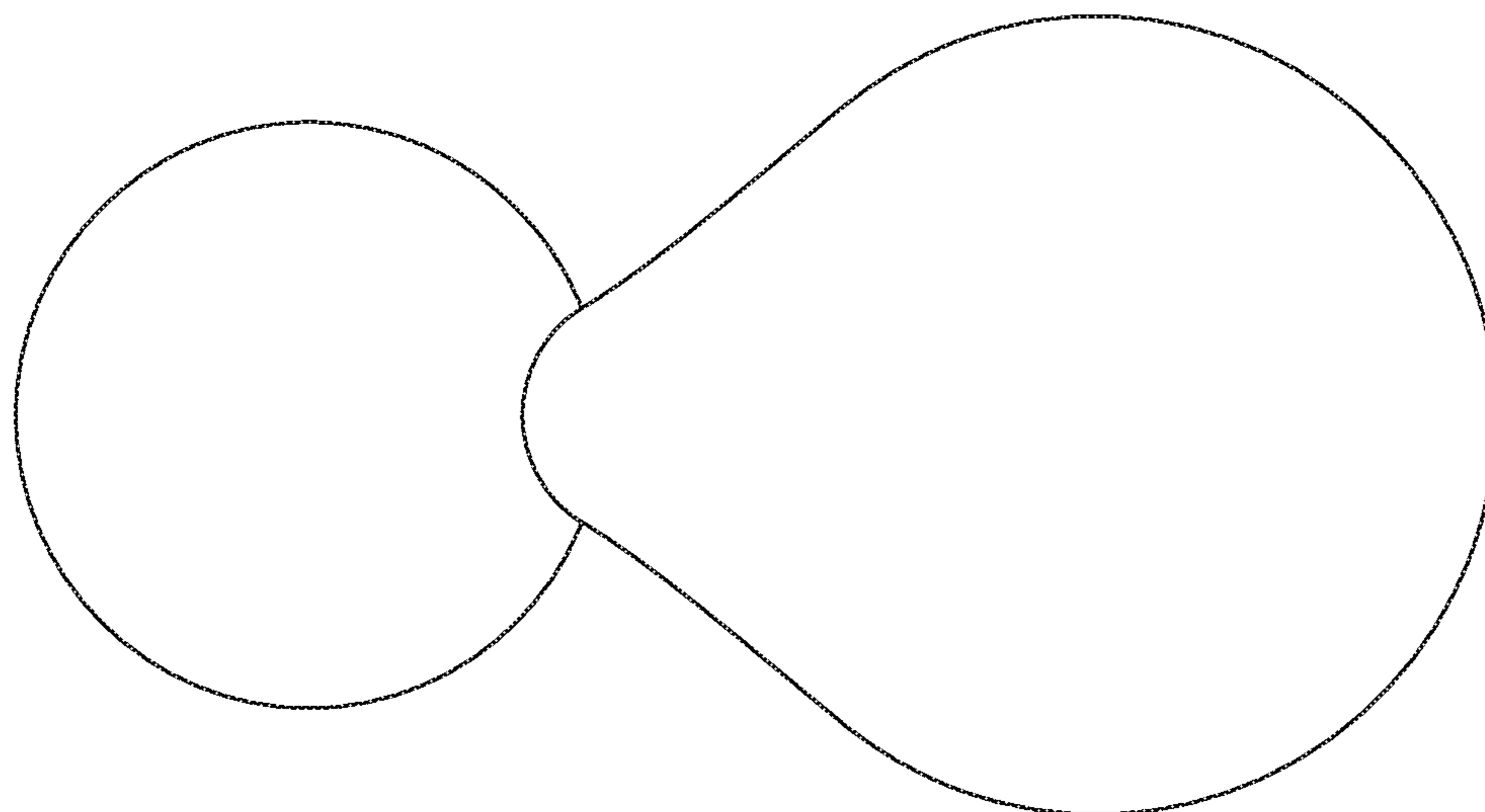


FIG. 6

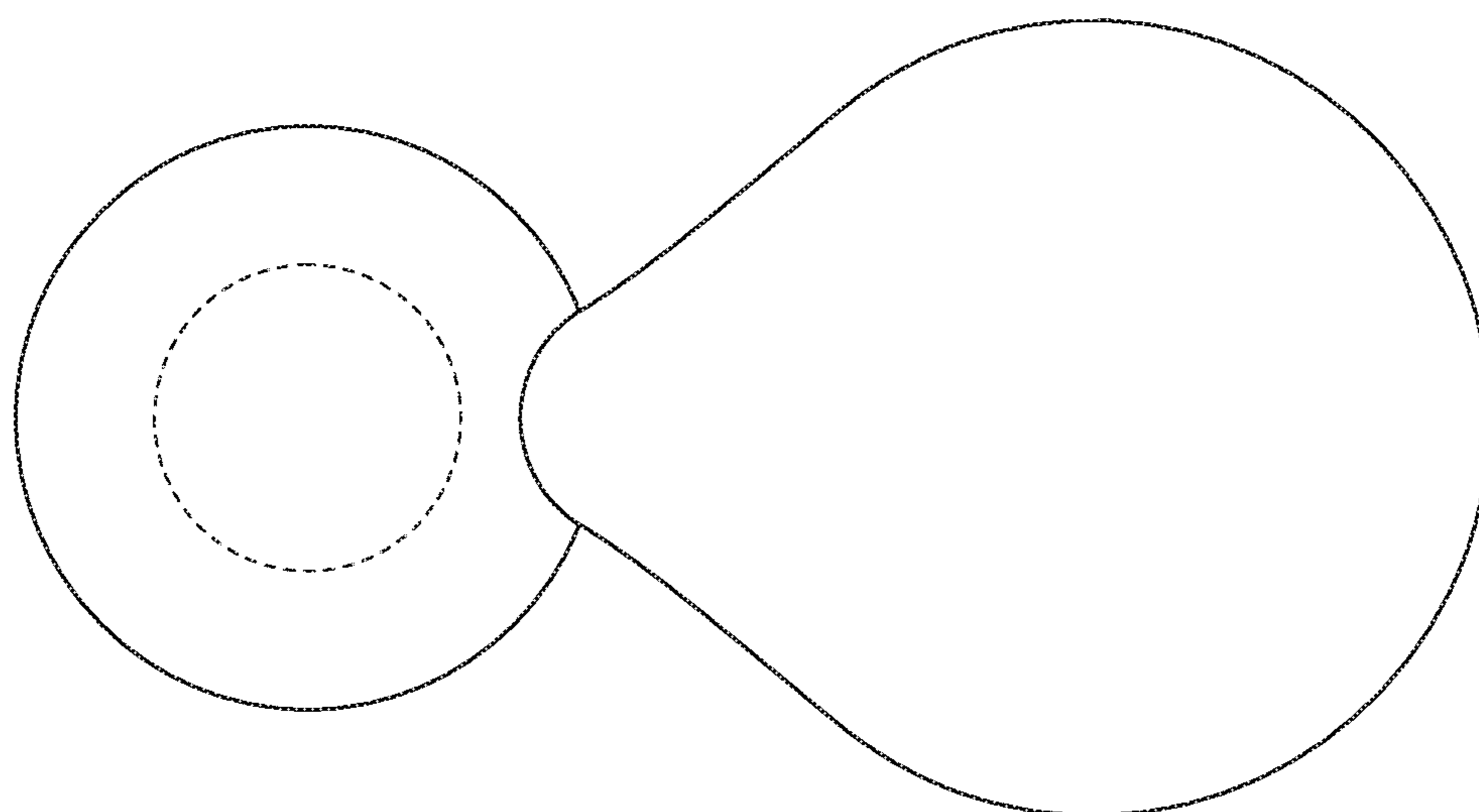


FIG. 7