



US00D930237S

(12) **United States Design Patent**
Fornarelli

(10) **Patent No.:** **US D930,237 S**

(45) **Date of Patent:** **** Sep. 7, 2021**

(54) **MOUTHPIECE**

(71) Applicant: **14TH ROUND INC.**, Chicago, IL (US)

(72) Inventor: **Thomas Fornarelli**, Chicago, IL (US)

(73) Assignee: **14TH ROUND INC.**, Los Angeles, CA (US)

(**) Term: **15 Years**

(21) Appl. No.: **29/687,598**

(22) Filed: **Apr. 14, 2019**

(51) **LOC (13) Cl.** **27-02**

(52) **U.S. Cl.**

USPC **D27/167; D27/170**

(58) **Field of Classification Search**

USPC D27/100, 101, 139, 141, 148, 157,
D27/161-171, 183, 185-194; D13/108,
D13/144, 103, 119, 146, 168, 218;
D23/360, 364-366; D24/110, 110.5, 129,
D24/113, 112; D19/925-929, 161-166,
D19/173, 66, 115, 123, 177, 923,
D19/194-196; D28/85, 4, 7, 88, 73-76;

(Continued)

(56) **References Cited**

U.S. PATENT DOCUMENTS

D262,320 S * 12/1981 Mono 128/203.12
D271,049 S * 10/1983 Du Cret 401/202

(Continued)

FOREIGN PATENT DOCUMENTS

CN 304489998 * 2/2018
CN 304653121 * 5/2018

(Continued)

OTHER PUBLICATIONS

Blackberry Cream Indica 510 Thread Starter Kit by Foray, no date available [online][retrieved Mar. 25, 2021], Available from Internet,

URL: <https://www.eweepro.ca/cannabis/product?p=1508&pc=1031>.*

Primary Examiner — Dana K Weiland

Assistant Examiner — Mary Claire Ramirez

(74) *Attorney, Agent, or Firm* — Flener IP & Business Law; Zareefa B. Flener; Ayhan E. Mertogul

(57) **CLAIM**

The ornamental design for a mouthpiece, as shown and described.

DESCRIPTION

FIG. 1 is a front perspective view of a mouthpiece showing a first embodiment of the new design;

FIG. 2 is a rear perspective view of the mouthpiece of FIG. 1;

FIG. 3 is a top plan view of the design of FIG. 1;

FIG. 4 is a bottom plan view of the design of FIG. 1;

FIG. 5 is a left side elevational view of the design of FIG. 1;

FIG. 6 is a right side elevational view of the design of FIG. 1;

FIG. 7 is a front elevational view of the design of FIG. 1;

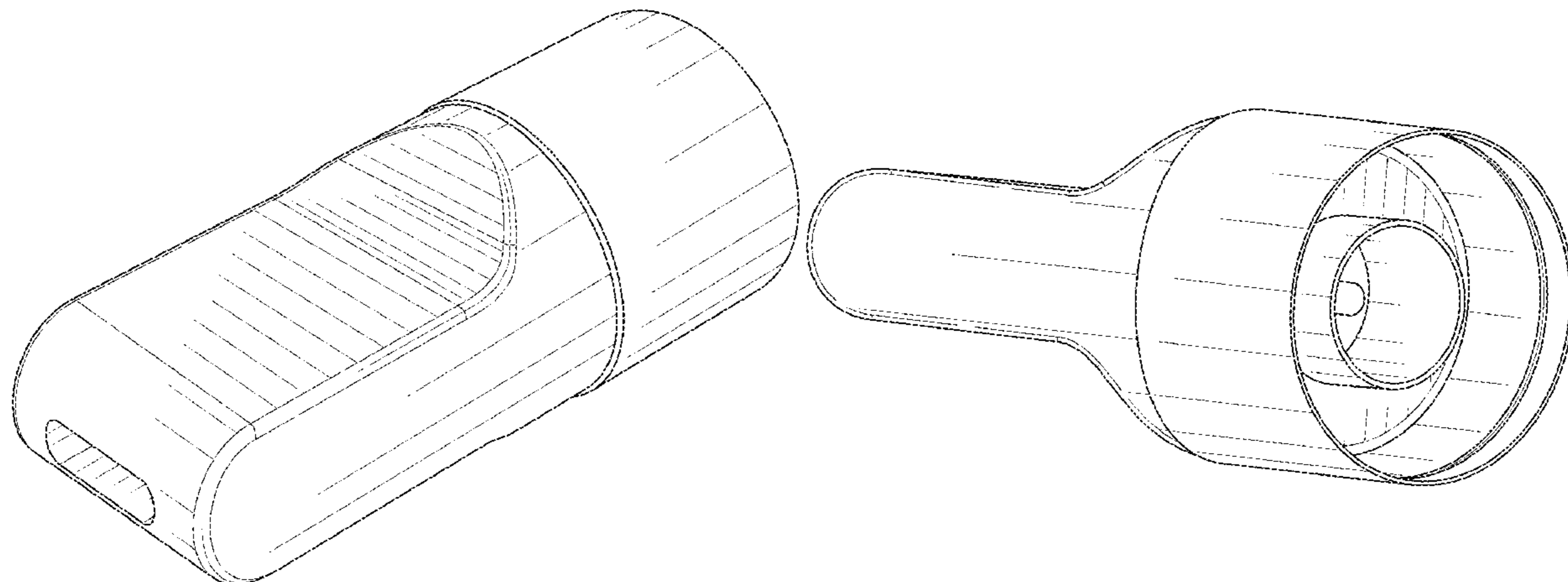
FIG. 8 is a front elevational view of a second embodiment of the mouthpiece of FIG. 1 the only difference being the oval aperture, it being understood that all other surfaces are the same as those of the first embodiment;

FIG. 9 is a rear elevational view of the design of FIG. 1; and,

FIG. 10 is a rear elevational view of the second embodiment of the mouthpiece of FIG. 1 the only difference being the oval aperture and adjacent ring features, it being understood that all other surfaces are the same as those of the first embodiment.

The broken lines in the drawings depict portions of the mouthpiece that form no part of the claim.

1 Claim, 5 Drawing Sheets



(58) **Field of Classification Search**

USPC D3/201, 11, 13, 17, 273, 300, 202;
 D14/411, 480.5, 480.1, 480.3, 483, 484.1,
 D14/137, 250, 251, 480.7, 203.1, 203.3,
 D14/203.7, 218, 254, 433-435, 435.1;
 D9/686, 529; D8/107; D10/119.1, 119.3,
 D10/119.2, 57; D17/13
 CPC A24F 40/00; A24F 40/40; A24F 40/42;
 A24F 40/05; A24F 40/46; A24F 47/002;
 A24F 47/008; A24D 1/14; A24D 1/042;
 A24D 1/02; G06F 3/03545; A61M 15/06
 See application file for complete search history.

(56) **References Cited**

U.S. PATENT DOCUMENTS

D292,672 S * 11/1987 Duell D28/7
 D293,034 S * 12/1987 duCret D28/7
 D303,631 S * 9/1989 Demarest D9/529
 D793,255 S * 8/2017 Berthier D10/57
 D799,112 S * 10/2017 Qiu D27/101
 9,980,522 B1 * 5/2018 Heidi A24F 40/49
 D823,534 S * 7/2018 Chen D27/162
 D853,635 S * 7/2019 Chen D27/194
 D857,290 S * 8/2019 Crowe D27/162
 D865,279 S * 10/2019 Pino D27/172

D878,564 S * 3/2020 Clawson D24/113
 D884,706 S * 5/2020 Verschoor D14/433
 D904,681 S * 12/2020 Kim D27/162
 D904,683 S * 12/2020 Kim D27/162
 D905,330 S * 12/2020 Kim D27/162
 D909,666 S * 2/2021 Fornarelli D27/162
 D912,890 S * 3/2021 Liu D27/162
 D919,880 S * 5/2021 Chen D27/162
 D921,281 S * 6/2021 Moghaddam D27/162
 2014/0041655 A1 * 2/2014 Barron A24F 40/46
 128/202.21
 2018/0103684 A1 * 4/2018 Liu A24F 7/02
 2018/0343923 A1 * 12/2018 Chen H05B 3/03
 2018/0360126 A1 * 12/2018 Chen A24F 40/485
 2019/0022345 A1 * 1/2019 Kotch A24F 40/42
 2019/0261690 A1 * 8/2019 Lin H02J 7/00
 2019/0357595 A1 * 11/2019 Liu F16J 15/324
 2019/0373951 A1 * 12/2019 Wu A24F 40/60
 2020/0085101 A1 * 3/2020 Wu A24F 47/008
 2020/0237007 A1 * 7/2020 Qiu A24F 40/90
 2020/0323272 A1 * 10/2020 Zhu A24F 40/42
 2020/0352228 A1 * 11/2020 Chen A61M 15/0021

FOREIGN PATENT DOCUMENTS

CN 304859771 * 10/2018
 CN 304895441 * 11/2018
 CN 306164695 * 11/2020

* cited by examiner

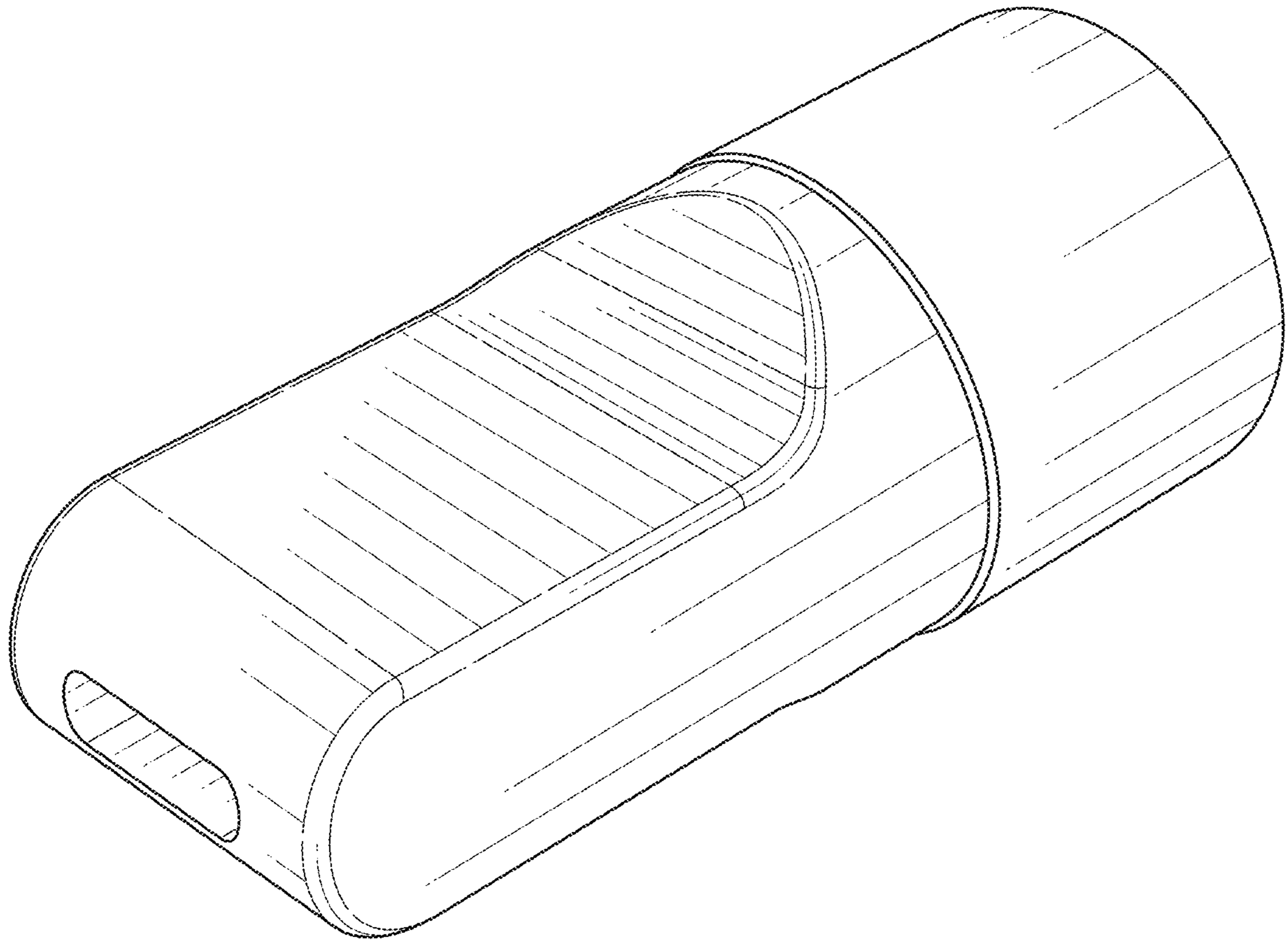


FIG. 1

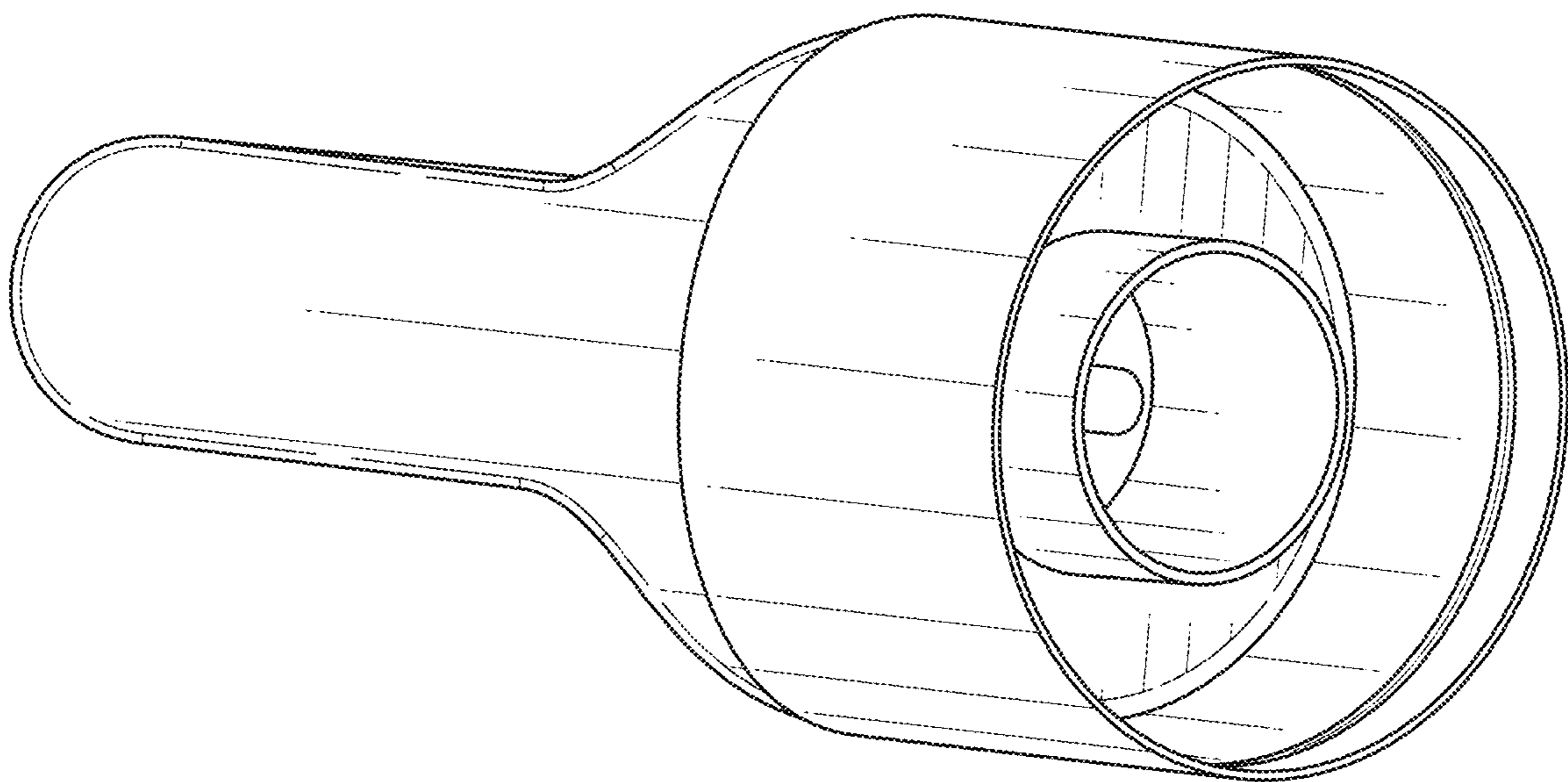


FIG. 2

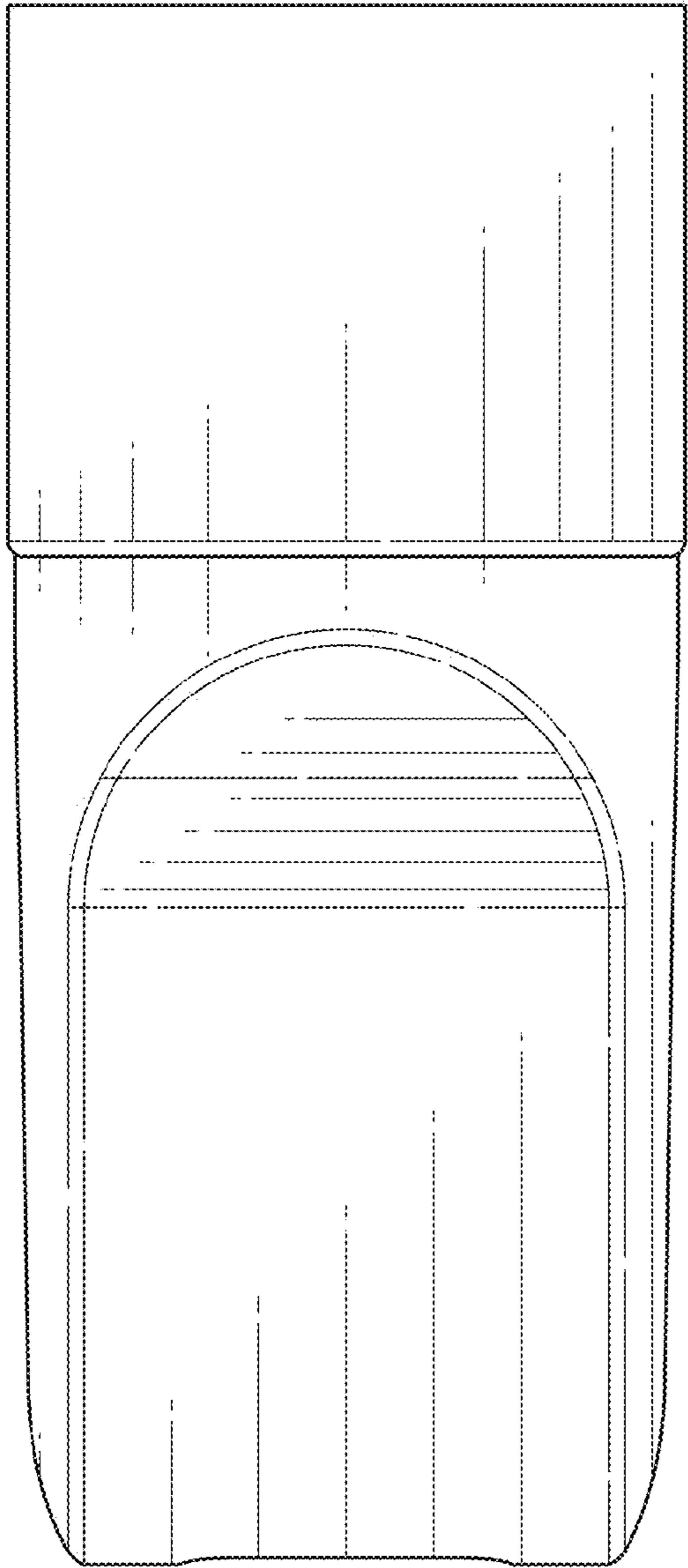


FIG. 3

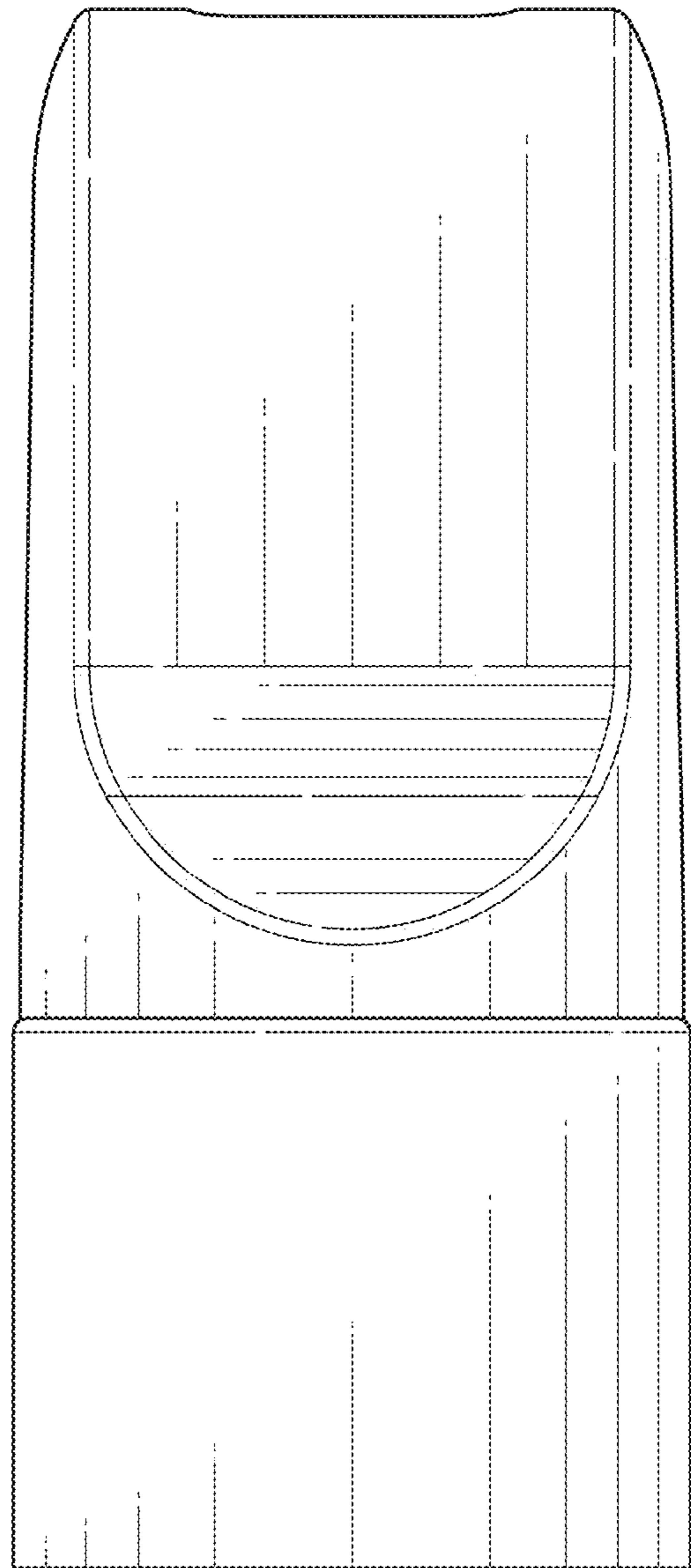


FIG. 4

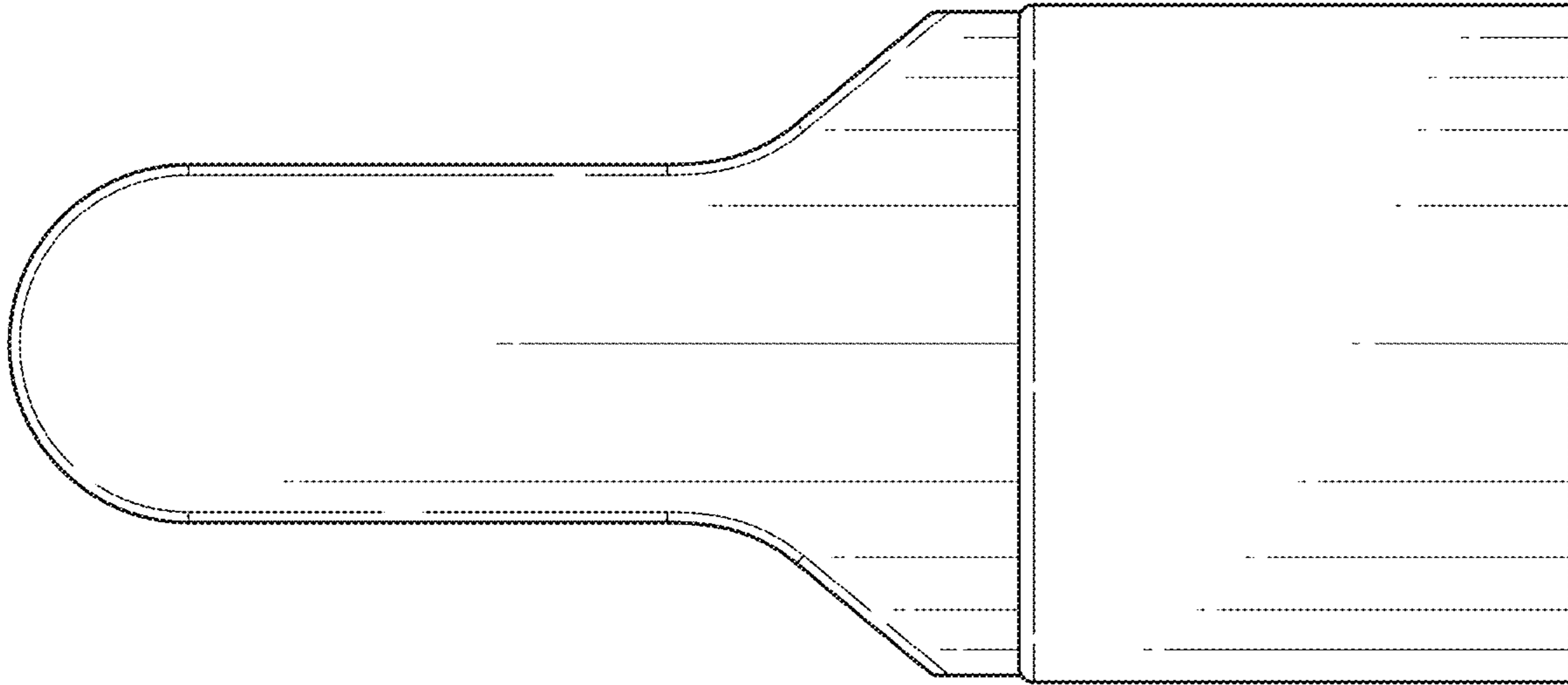


FIG. 5

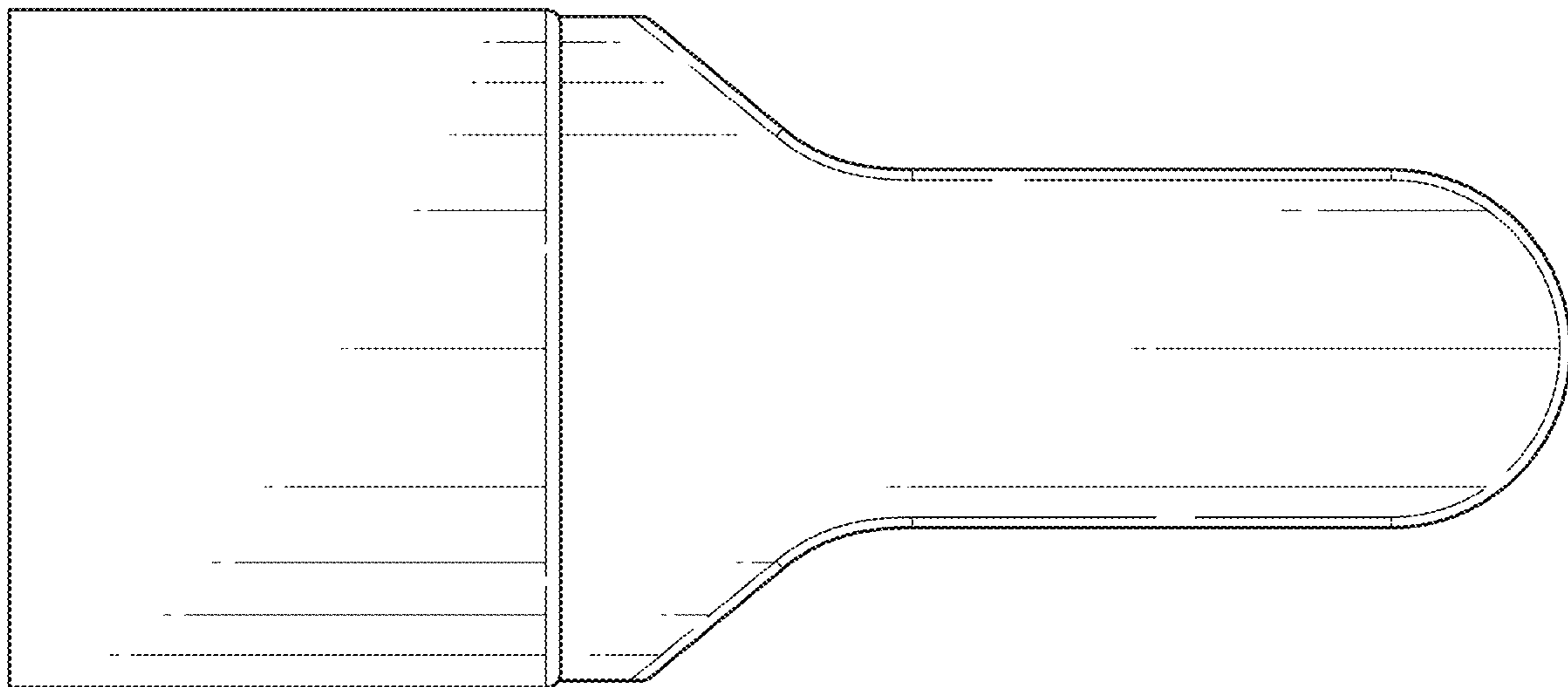


FIG. 6

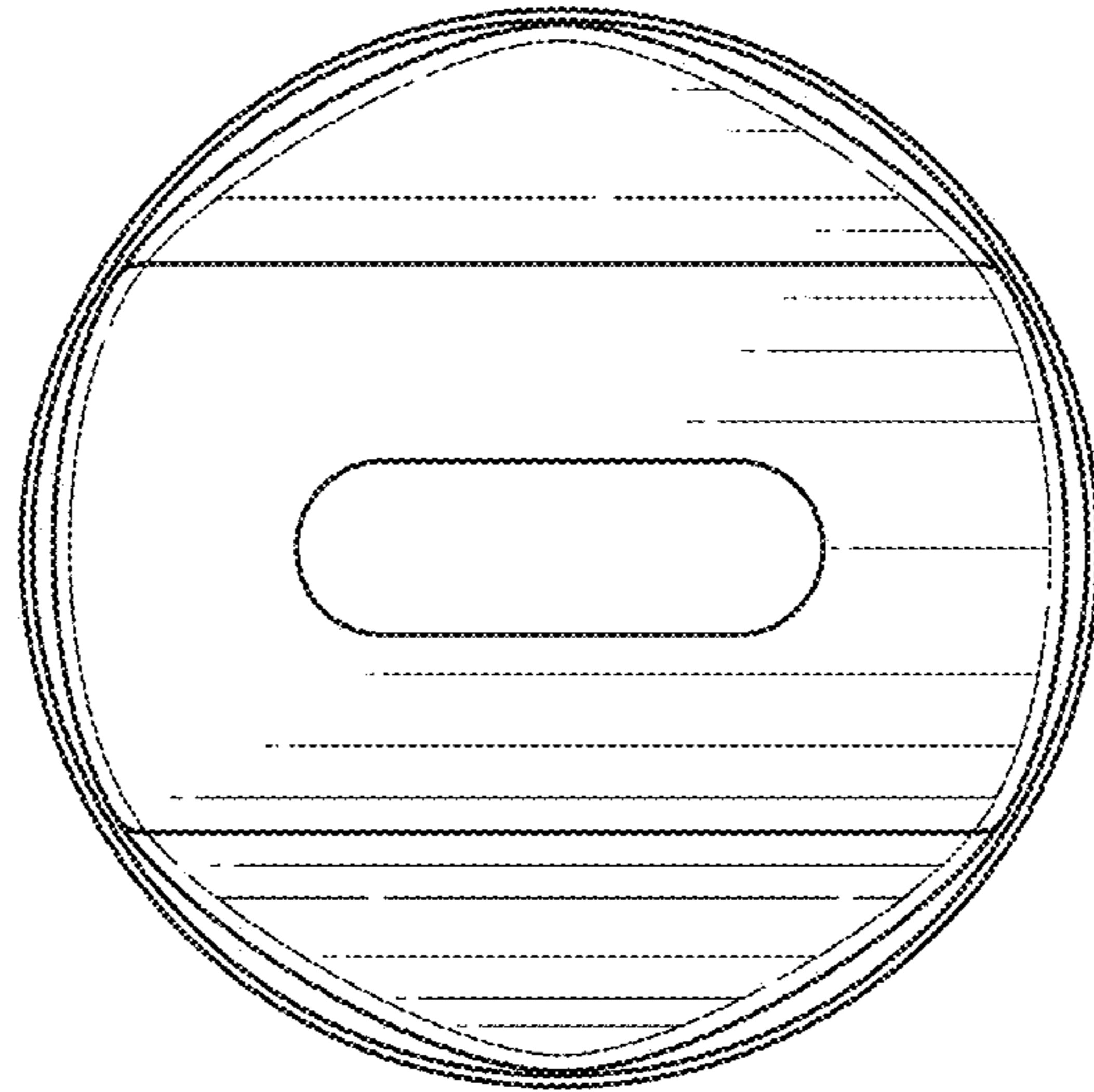


FIG. 7

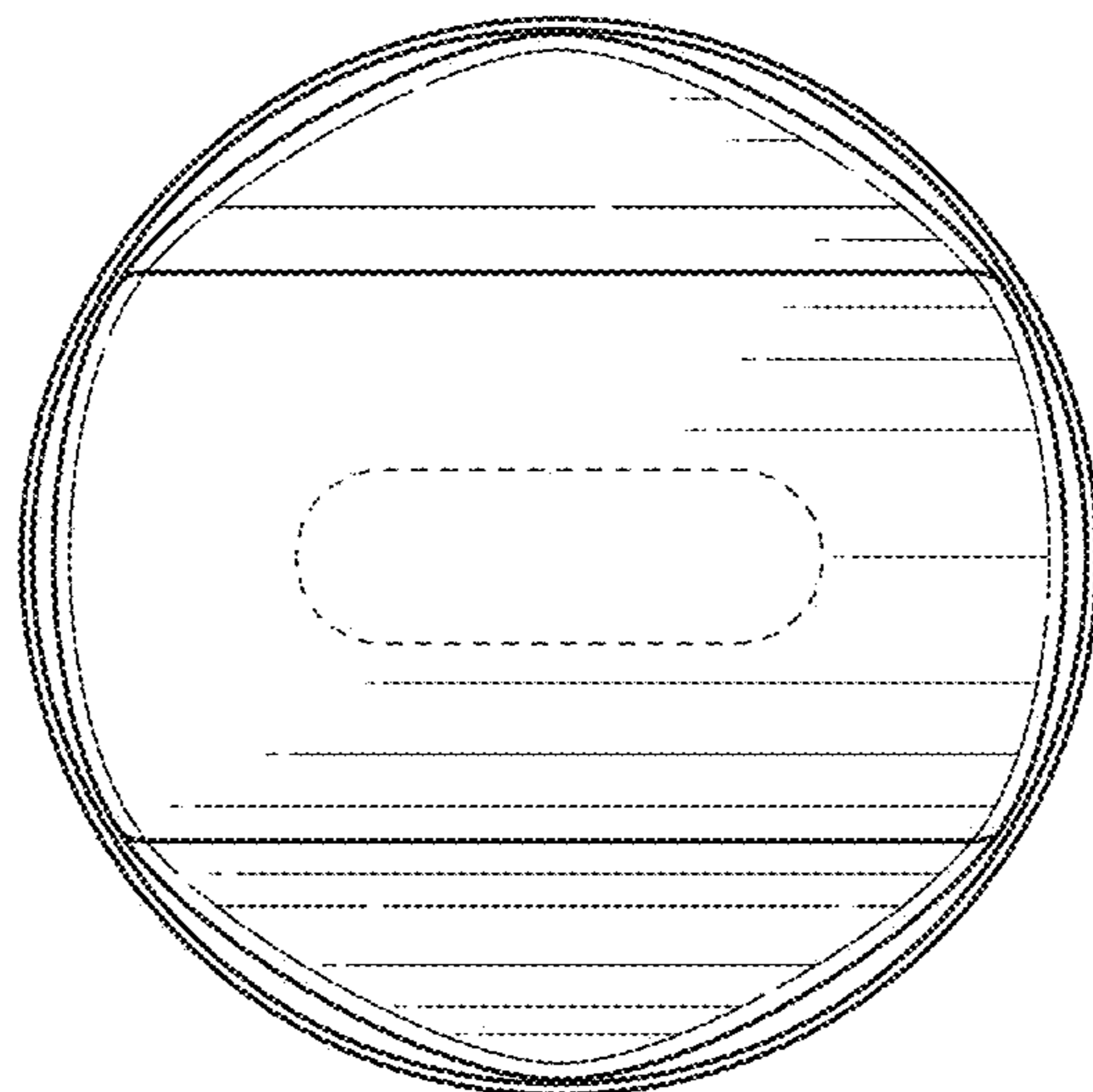


FIG. 8

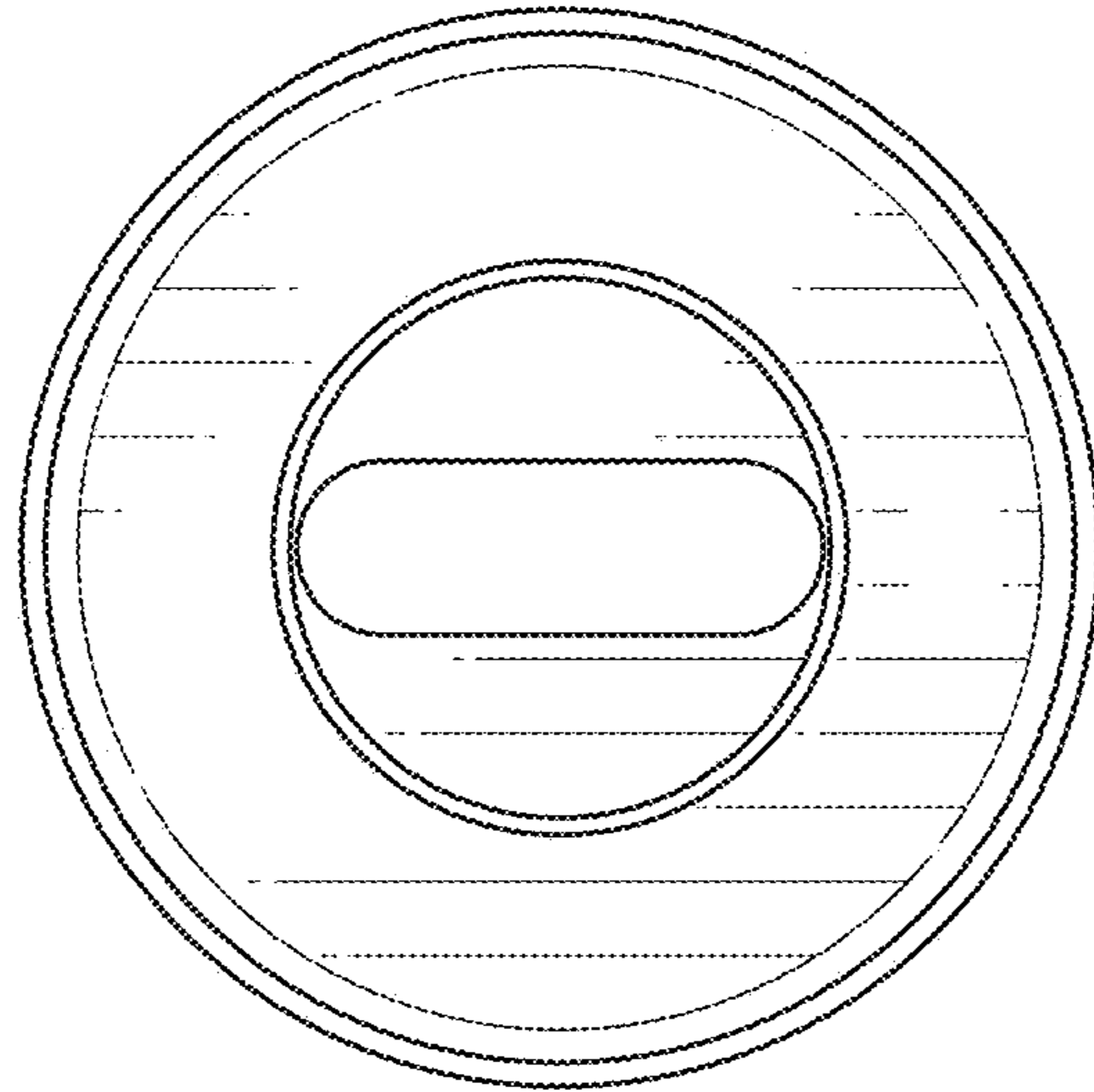


FIG. 9

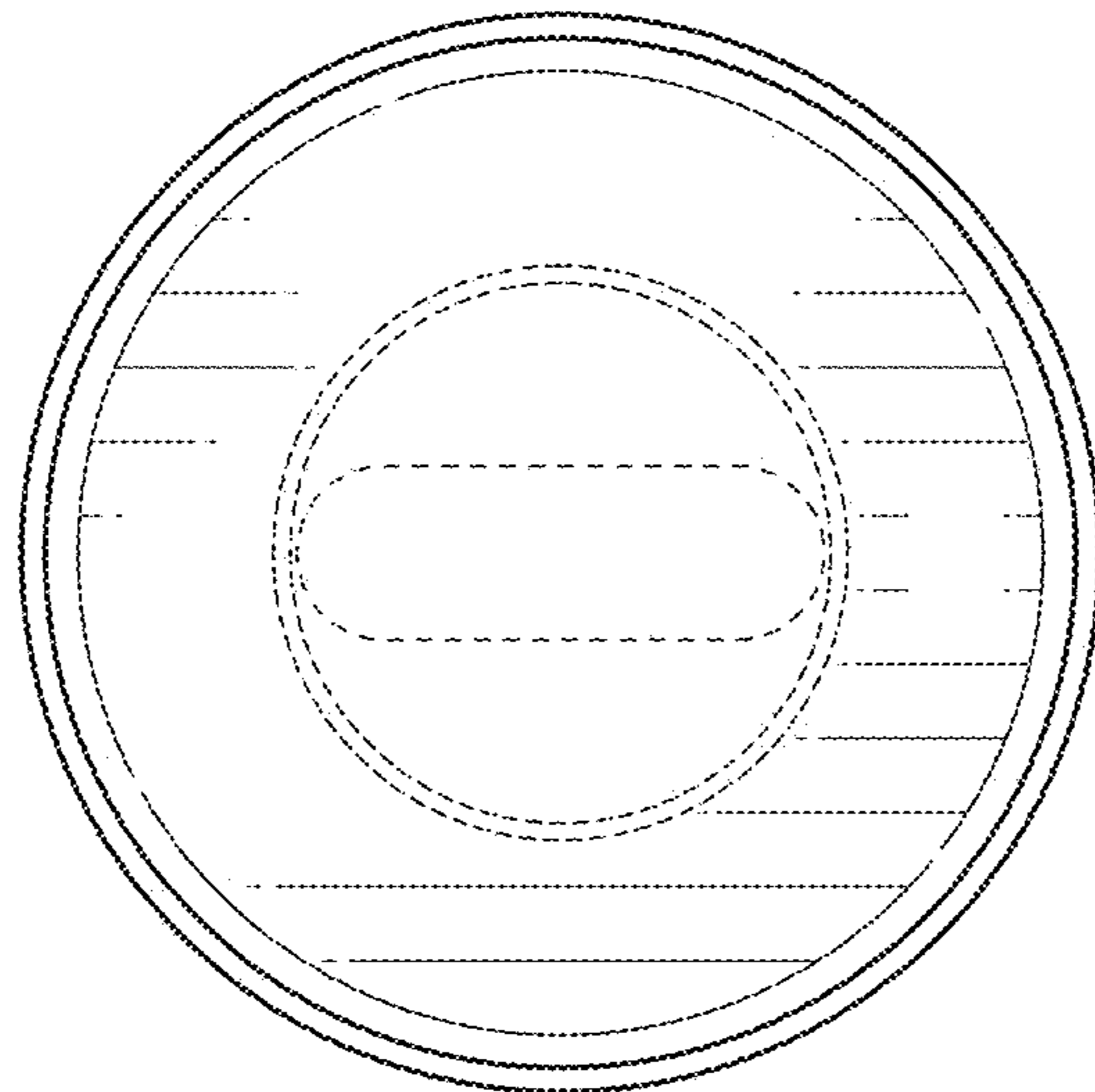


FIG. 10