



US00D930236S

(12) **United States Design Patent**  
**Fornarelli**

(10) **Patent No.:** **US D930,236 S**

(45) **Date of Patent:** **\*\* Sep. 7, 2021**

(54) **VAPORIZER POD**

(71) Applicant: **14TH ROUND INC.**, Chicago, IL (US)

(72) Inventor: **Thomas Fornarelli**, Chicago, IL (US)

(73) Assignee: **14TH ROUND INC.**, Los Angeles, CA (US)

(\*\*) Term: **15 Years**

(21) Appl. No.: **29/687,581**

(22) Filed: **Apr. 13, 2019**

(51) **LOC (13) Cl.** ..... **16-02**

(52) **U.S. Cl.**  
USPC ..... **D27/167**

(58) **Field of Classification Search**  
USPC ..... D27/100, 101, 139, 141, 148, 157,  
D27/161-171, 183, 185-194; D13/108,  
D13/144, 103, 119, 146, 168; D23/360,  
D23/364-366; D24/110, 110.5, 129, 113,  
D24/112; D19/925-929, 161-166, 173,  
D19/66, 115, 123, 177, 923, 194-196;  
(Continued)

(56) **References Cited**

**U.S. PATENT DOCUMENTS**

D244,552 S \* 5/1977 Stringer ..... D27/154  
D300,331 S \* 3/1989 Horntrich ..... 401/202  
(Continued)

**FOREIGN PATENT DOCUMENTS**

CN 304350813 \* 11/2017  
CN 304594747 \* 4/2018  
(Continued)

*Primary Examiner* — Dana K Weiland  
*Assistant Examiner* — Mary Claire Ramirez

(74) *Attorney, Agent, or Firm* — Flener IP & Business Law; Zareefa B. Flener; Ayhan E. Mertogul

(57) **CLAIM**

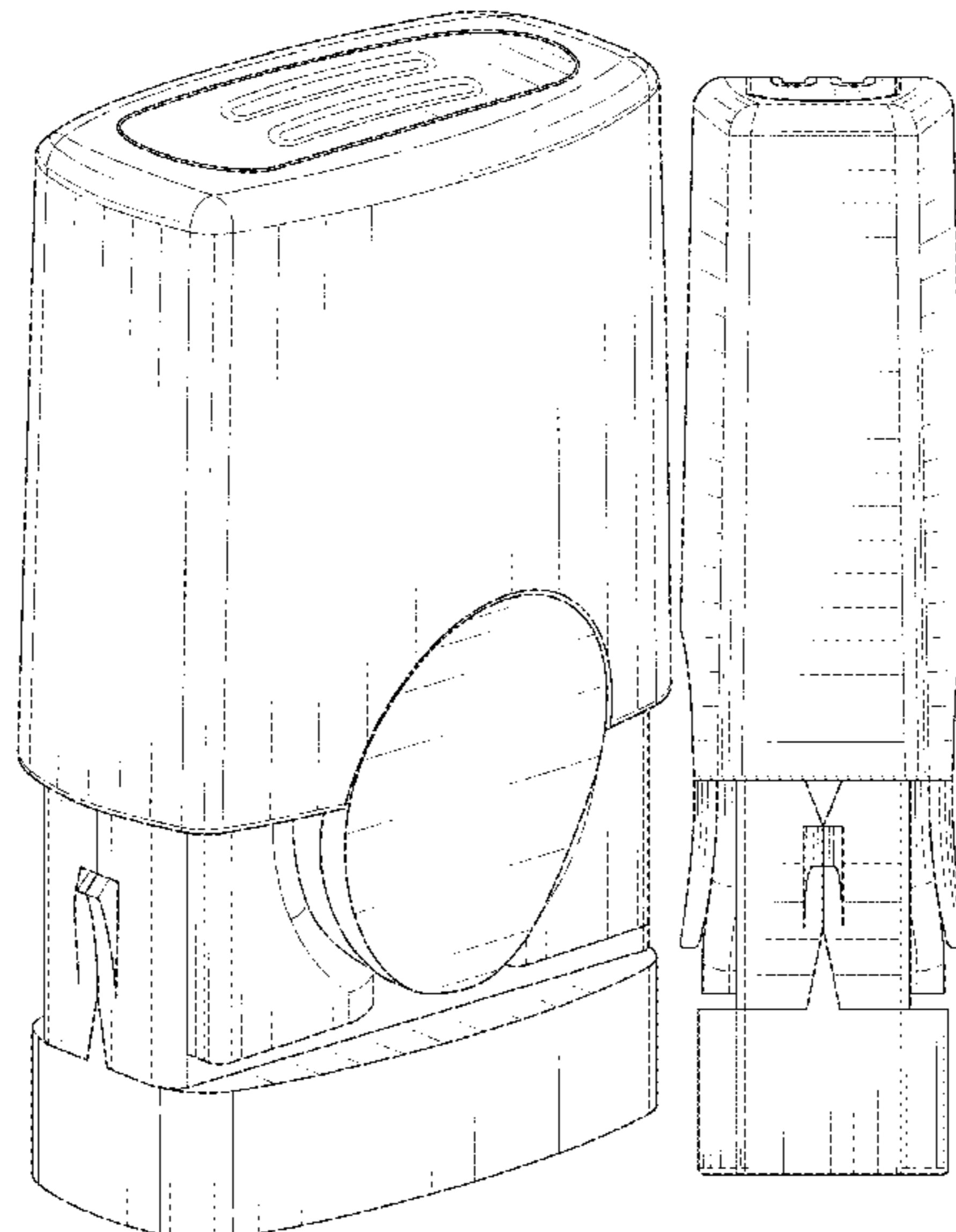
The ornamental design for a vaporizer pod, as shown and described.

**DESCRIPTION**

FIG. 1 is front perspective view of a vaporizer pod showing a first embodiment of my new design;  
FIG. 2 is a front (and identical rear) elevational view of the first embodiment of the design of FIG. 1;  
FIG. 3 is a left (and identical right) side elevational view of the first embodiment of the design of FIG. 1;  
FIG. 4 is a left (and identical right) side elevational view of a second embodiment of the design of FIG. 1, wherein the second embodiment is otherwise identical to the first embodiment;  
FIG. 5 is a top plan view of the first embodiment of the design of FIG. 1;  
FIG. 6 is a bottom plan view of the first embodiment of the design of FIG. 1;  
FIG. 7 is a top plan view of the second embodiment of the design of FIG. 1, wherein the second embodiment is otherwise identical to the first embodiment;  
FIG. 8 is front perspective view of a vaporizer pod showing a third embodiment of my new design;  
FIG. 9 is a front (and identical rear) elevational view of the third embodiment of my new design;  
FIG. 10 is a left (and identical right) side elevational view of the third embodiment of my new design;  
FIG. 11 is a top plan view of the third embodiment of my new design;  
FIG. 12 is a top plan view of a fourth embodiment of my new design, wherein the fourth embodiment is otherwise identical to the third embodiment; and,  
FIG. 13 is a bottom plan view of the third embodiment of my new design.

The broken lines in the drawings depict portions of the vaporizer pod that form no part of the claim.

**1 Claim, 9 Drawing Sheets**



(58) **Field of Classification Search**

USPC .... D28/85, 4, 7, 88, 73-76; D3/201, 11, 13,  
 D3/17, 273, 300, 202; D14/411, 480.5,  
 D14/480.1, 480.3, 483, 484.1, 137, 250,  
 D14/251, 480.7, 203.1, 203.3, 203.7, 218,  
 D14/254, 433-435, 435.1; D9/686, 529;  
 D8/107; D10/119.1, 119.3, 119.2;  
 D17/13  
 CPC ..... A24F 40/00; A24F 40/40; A24F 40/42;  
 A24F 40/05; A24F 40/46; A24F 47/002;  
 A24F 47/008; A24D 1/14; A24D 1/042;  
 A24D 1/02; G06F 3/03545; A61M 15/06  
 See application file for complete search history.

(56) **References Cited**

U.S. PATENT DOCUMENTS

D417,731 S \* 12/1999 Butler ..... D24/110  
 D500,301 S \* 12/2004 Deguchi ..... D14/480.4  
 D554,119 S \* 10/2007 Otsuka ..... D14/480.5  
 D673,576 S \* 1/2013 Lin ..... D14/480.7  
 D757,734 S \* 5/2016 Emami ..... D14/480.7  
 D779,719 S \* 2/2017 Qiu ..... D27/101  
 D818,636 S \* 5/2018 Qiu ..... D27/101  
 D834,744 S \* 11/2018 Zhu ..... D27/101  
 D836,831 S \* 12/2018 Cividi ..... D27/162  
 D844,235 S \* 3/2019 Cividi ..... D27/167  
 D849,996 S \* 5/2019 Duque ..... D27/194  
 D866,852 S \* 11/2019 Cividi ..... D27/101  
 D870,959 S \* 12/2019 Duque ..... D27/162  
 D875,306 S \* 2/2020 Pan ..... D27/167  
 D881,460 S \* 4/2020 Han ..... D27/162

RE47,994 E \* 5/2020 Bowen ..... H02J 7/0042  
 D13/108  
 D887,632 S \* 6/2020 Duque ..... D27/167  
 D902,473 S \* 11/2020 Li ..... D27/101  
 D902,480 S \* 11/2020 Chen ..... D27/194  
 D903,303 S \* 12/2020 Guo ..... D3/209  
 D910,906 S \* 2/2021 Zhou ..... D27/162  
 2015/0128967 A1\* 5/2015 Robinson ..... A24F 47/008  
 131/328  
 2016/0167846 A1\* 6/2016 Zahr ..... A24F 47/002  
 222/153.14  
 2018/0037381 A1\* 2/2018 White ..... B65D 81/02  
 2019/0008208 A1\* 1/2019 Cirillo ..... A24F 7/04  
 2019/0021396 A1\* 1/2019 Vo ..... A24F 7/04  
 2019/0029319 A1\* 1/2019 Moorman ..... A24F 7/04  
 2019/0037926 A1\* 2/2019 Qiu ..... A24F 47/008  
 2019/0159519 A1\* 5/2019 Bowen ..... A24F 40/40  
 2019/0373679 A1\* 12/2019 Fu ..... A24F 7/00  
 2019/0380388 A1\* 12/2019 Amorde ..... A24F 40/65  
 2020/0085104 A1\* 3/2020 Scatterday ..... A24F 47/008  
 2020/0146361 A1\* 5/2020 Silver ..... G16H 40/67  
 2020/0178616 A1\* 6/2020 Yu ..... A61M 15/0083  
 2020/0288788 A1\* 9/2020 Vora ..... A24F 40/40  
 2020/0315253 A1\* 10/2020 Legendy ..... A61M 15/06

FOREIGN PATENT DOCUMENTS

CN 304631993 \* 5/2018  
 CN 304733805 \* 7/2018  
 CN 304773666 \* 8/2018  
 CN 304827366 \* 9/2018  
 CN 304942366 \* 12/2018  
 EM 005270725-0002 \* 6/2018

\* cited by examiner

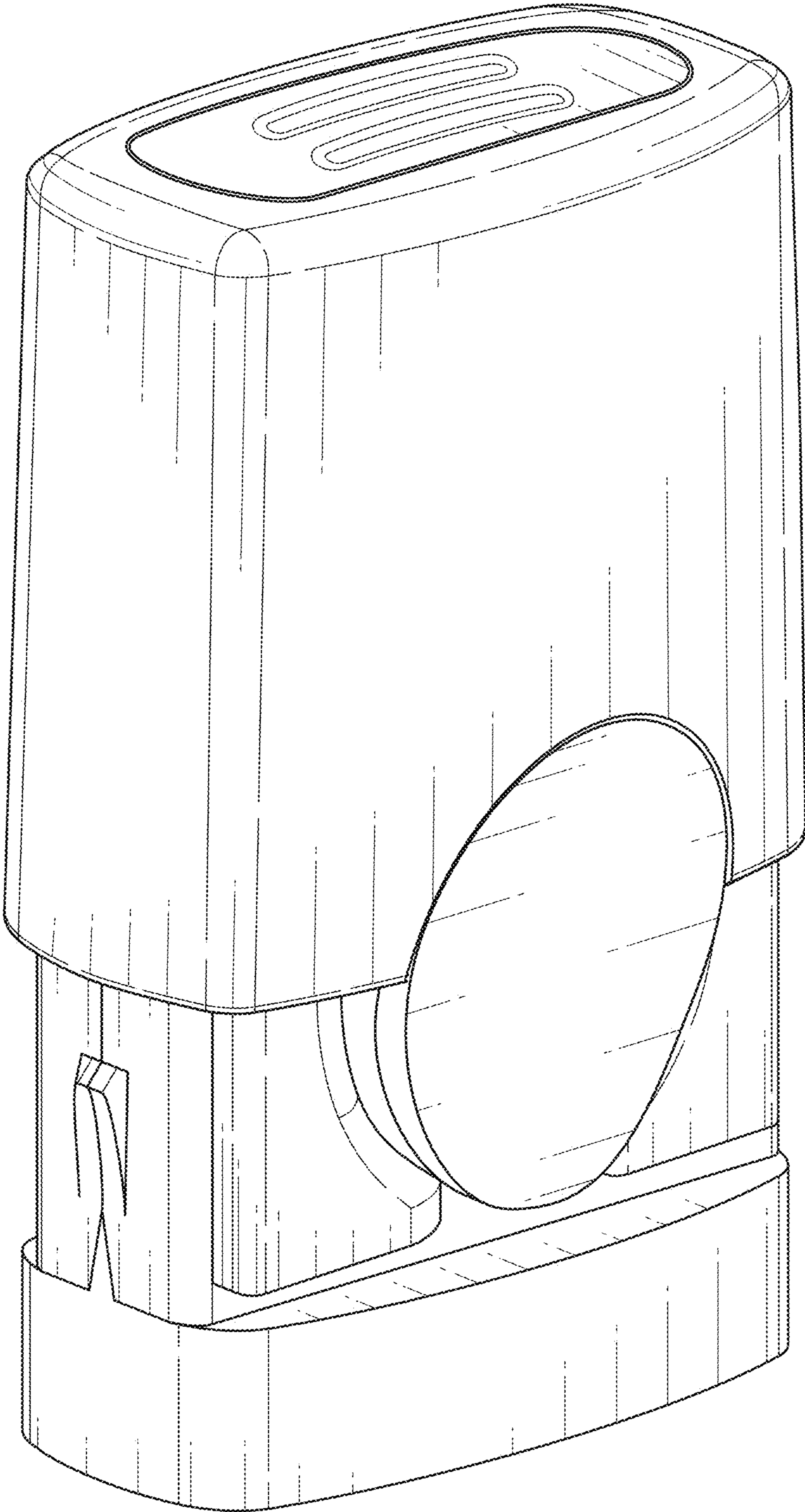


FIG. 1

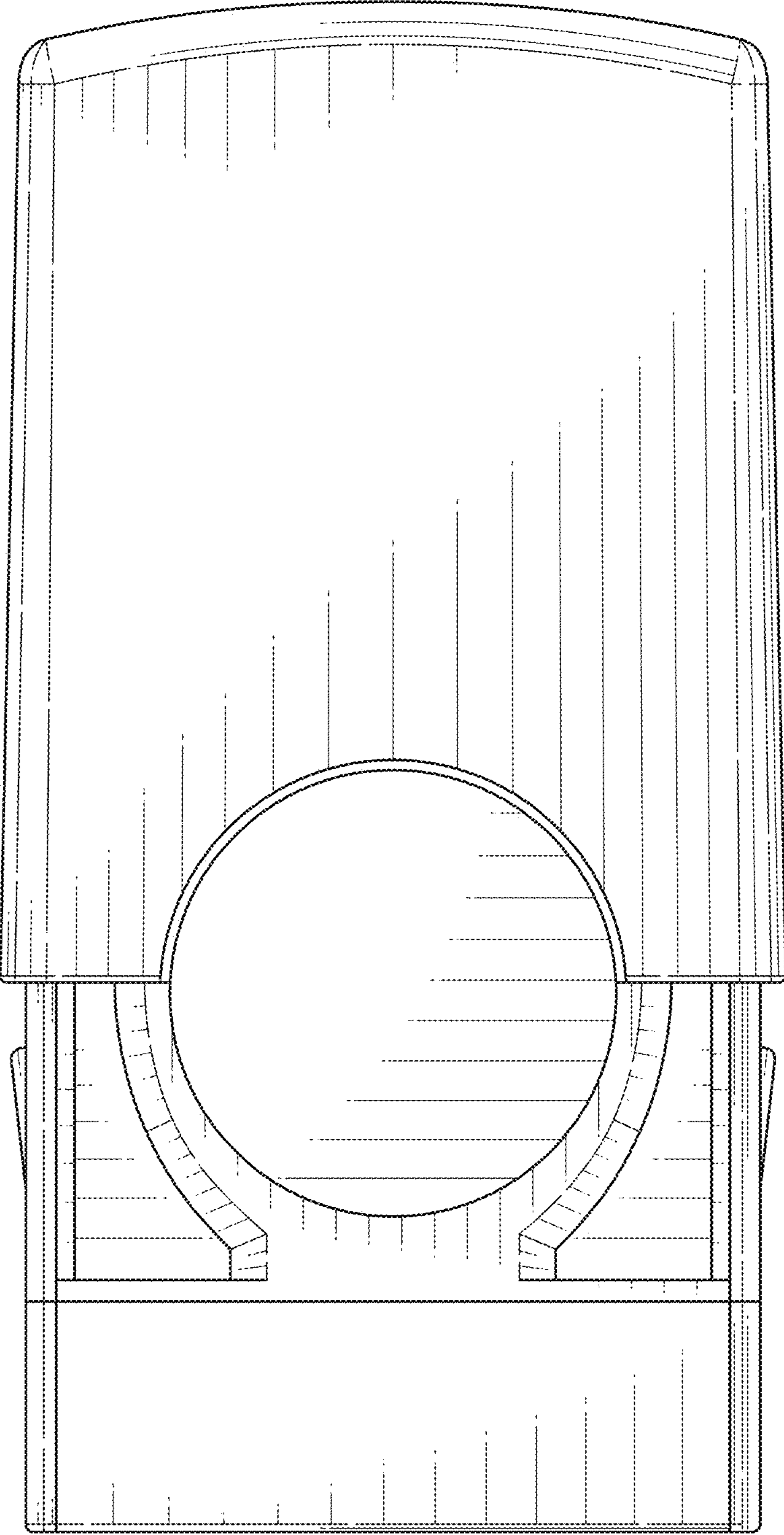


FIG. 2

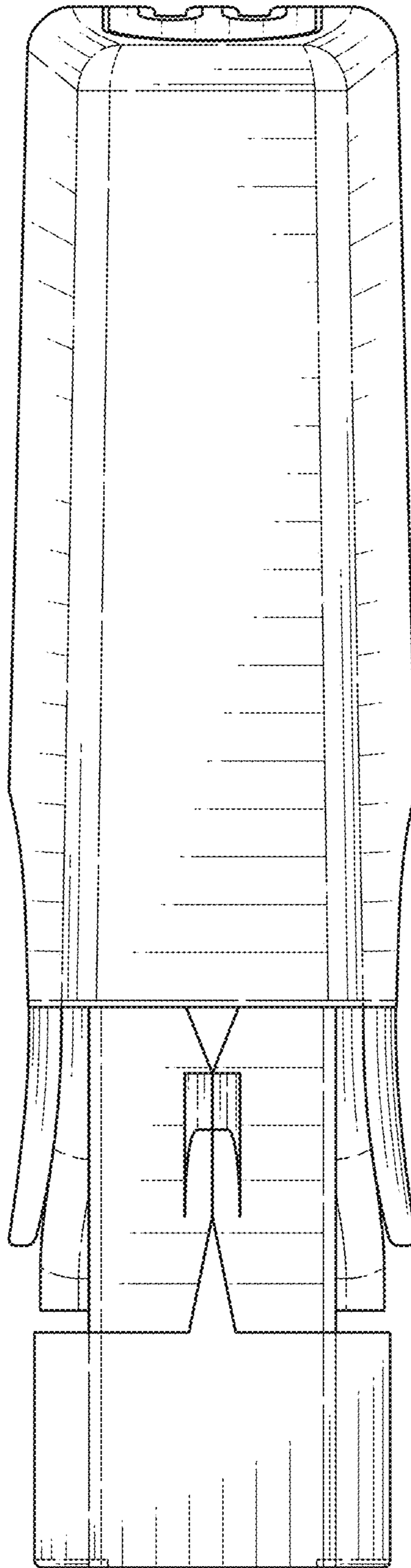


FIG. 3

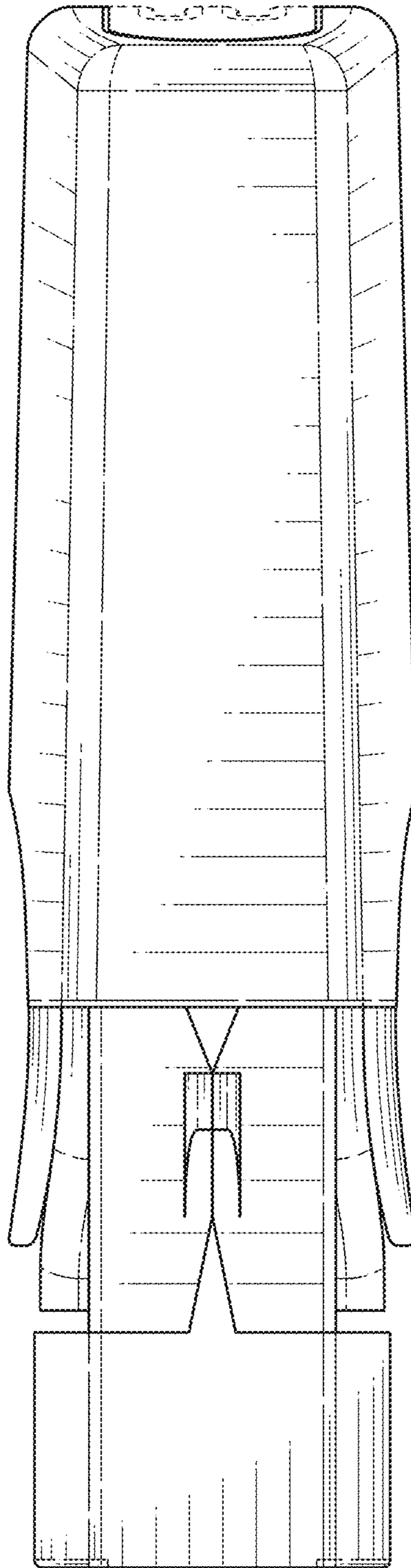


FIG. 4

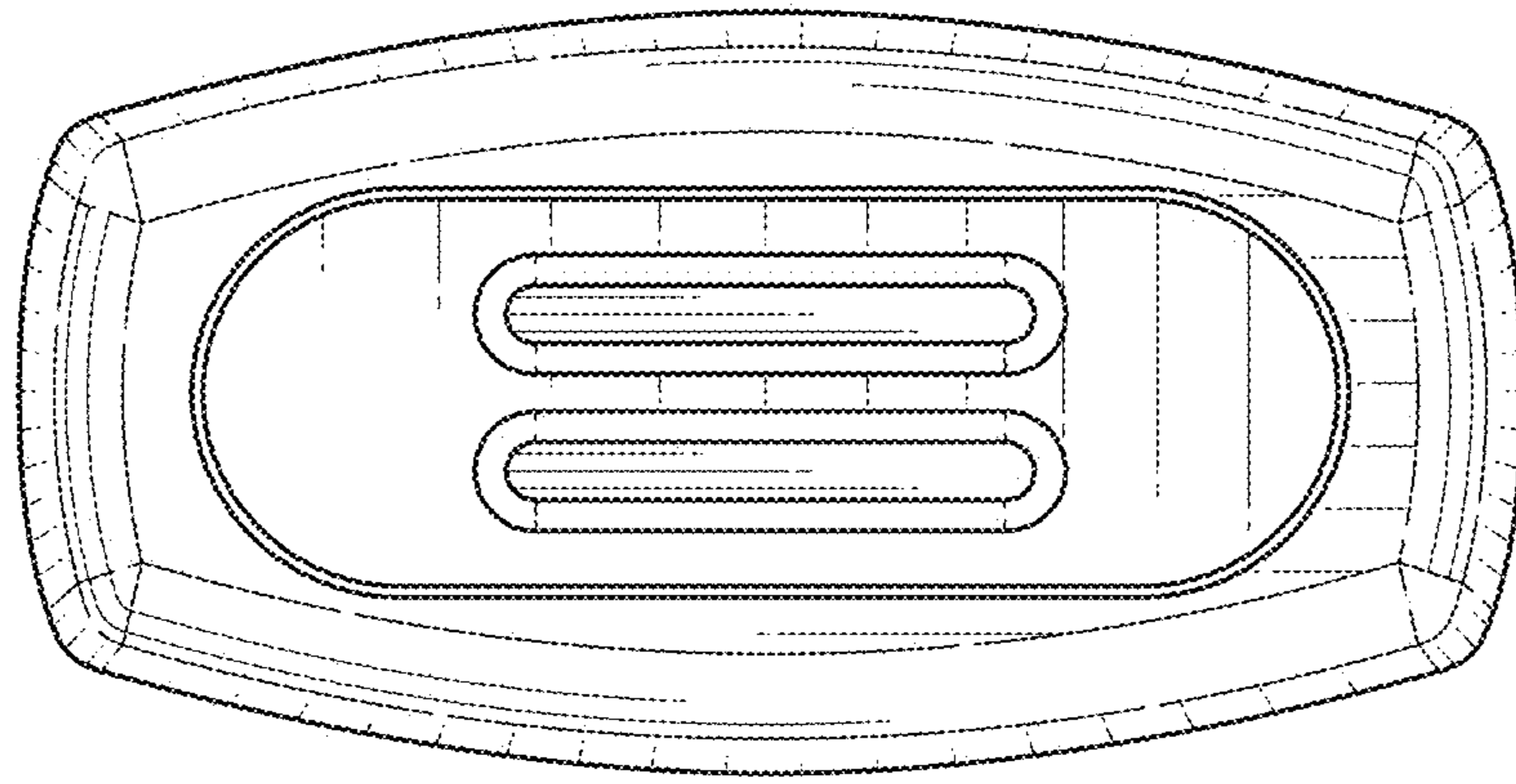


FIG. 5

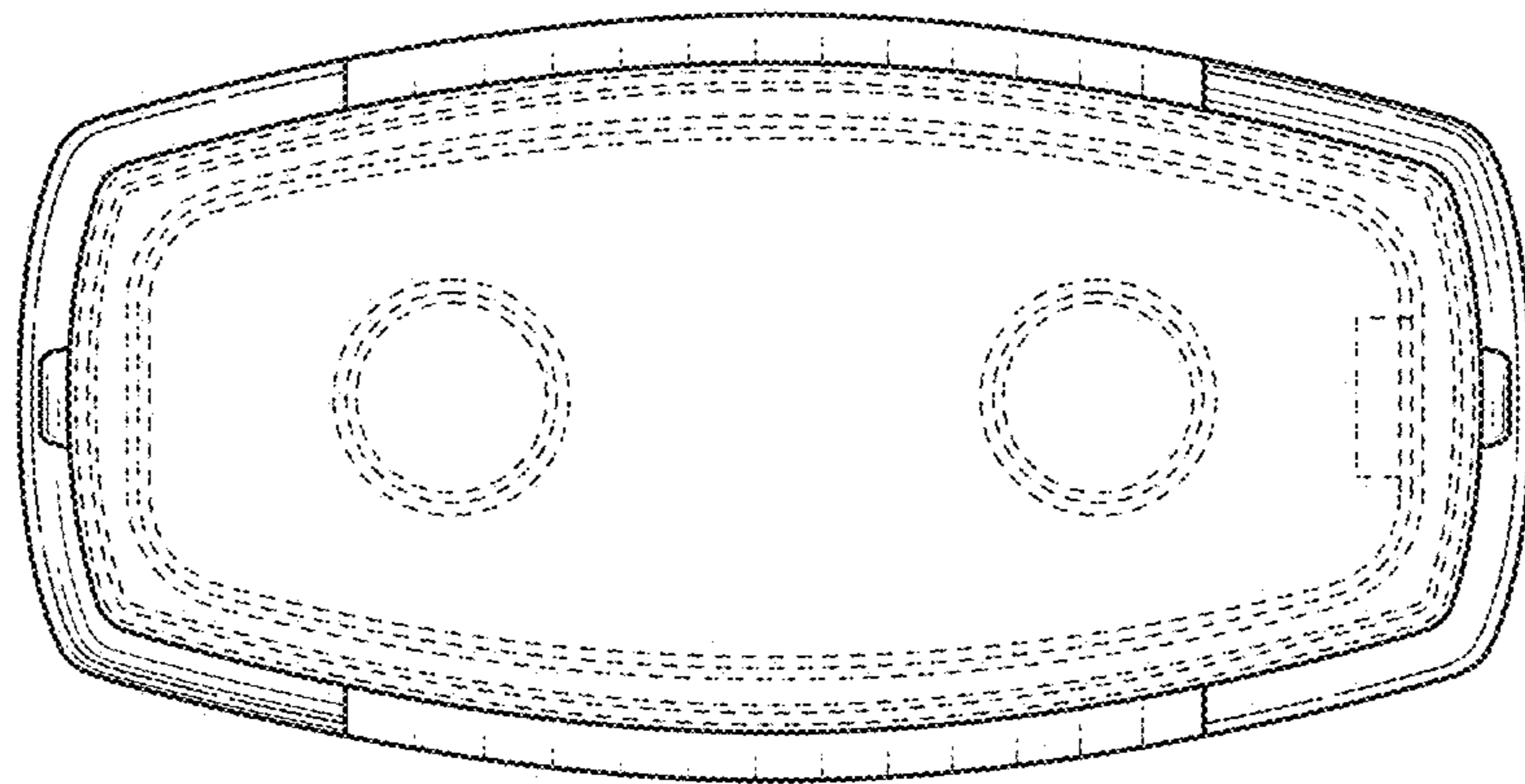


FIG. 6

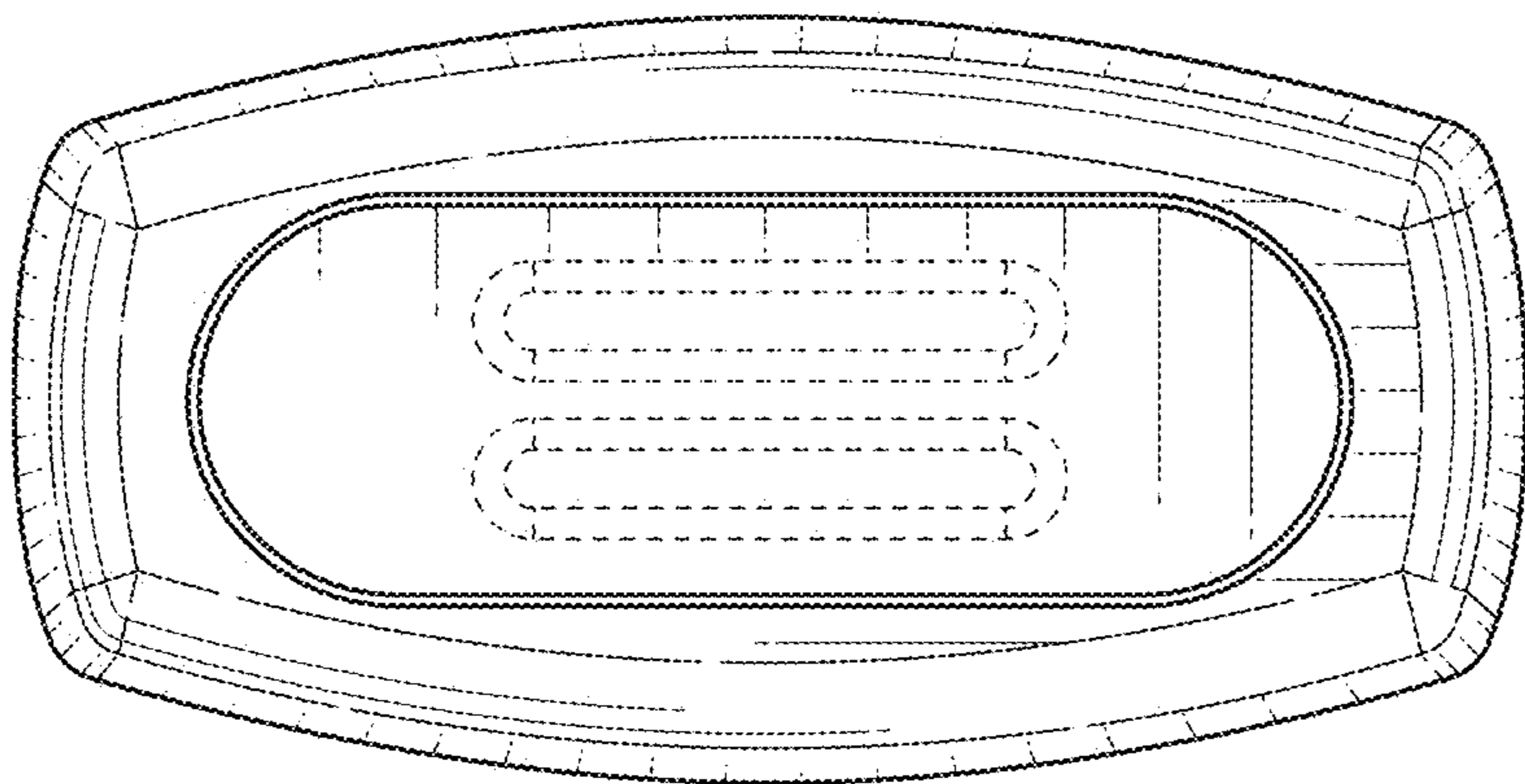


FIG. 7

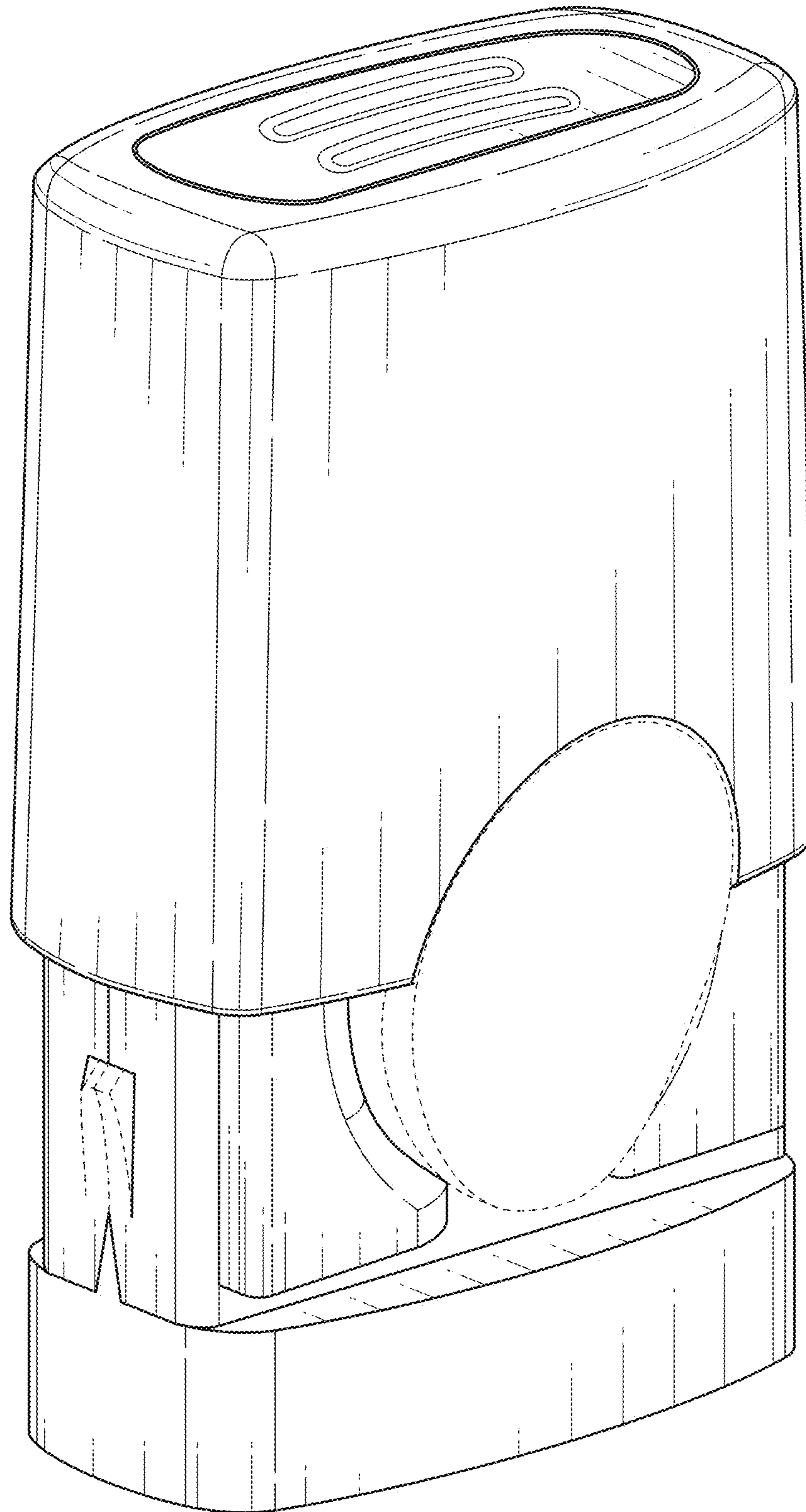


FIG. 8



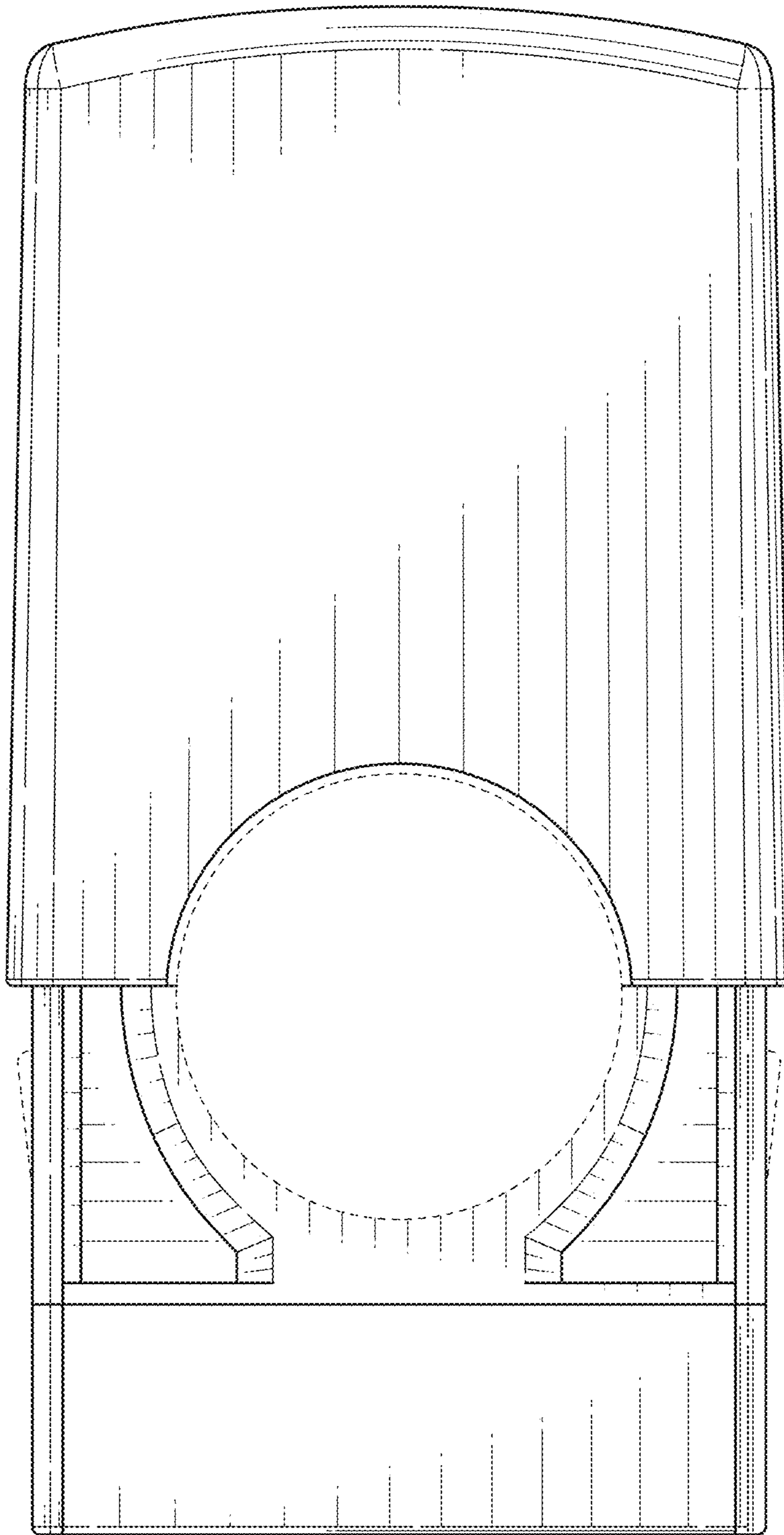


FIG. 9

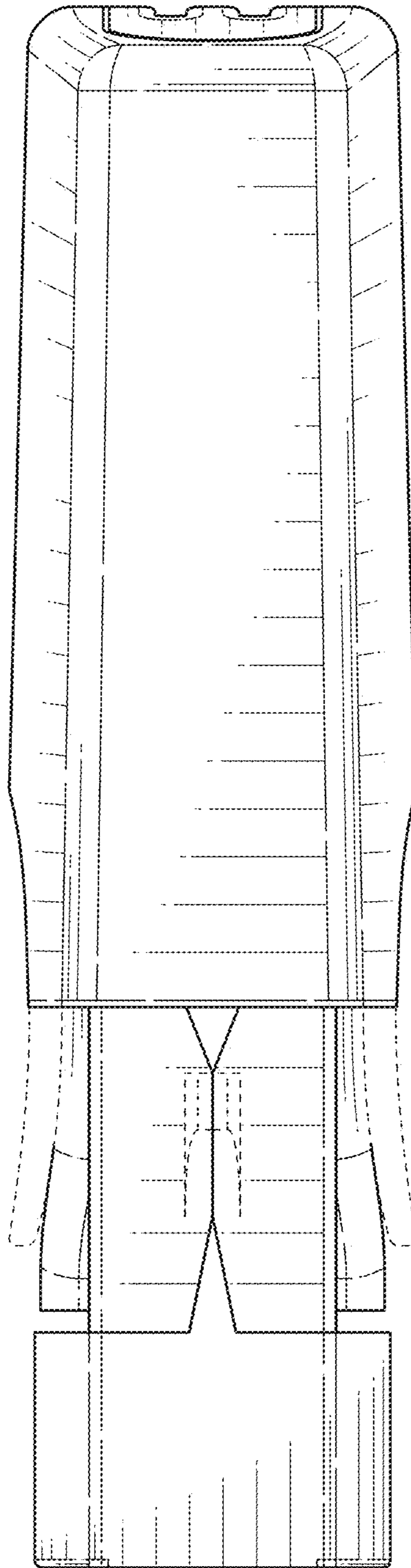


FIG. 10

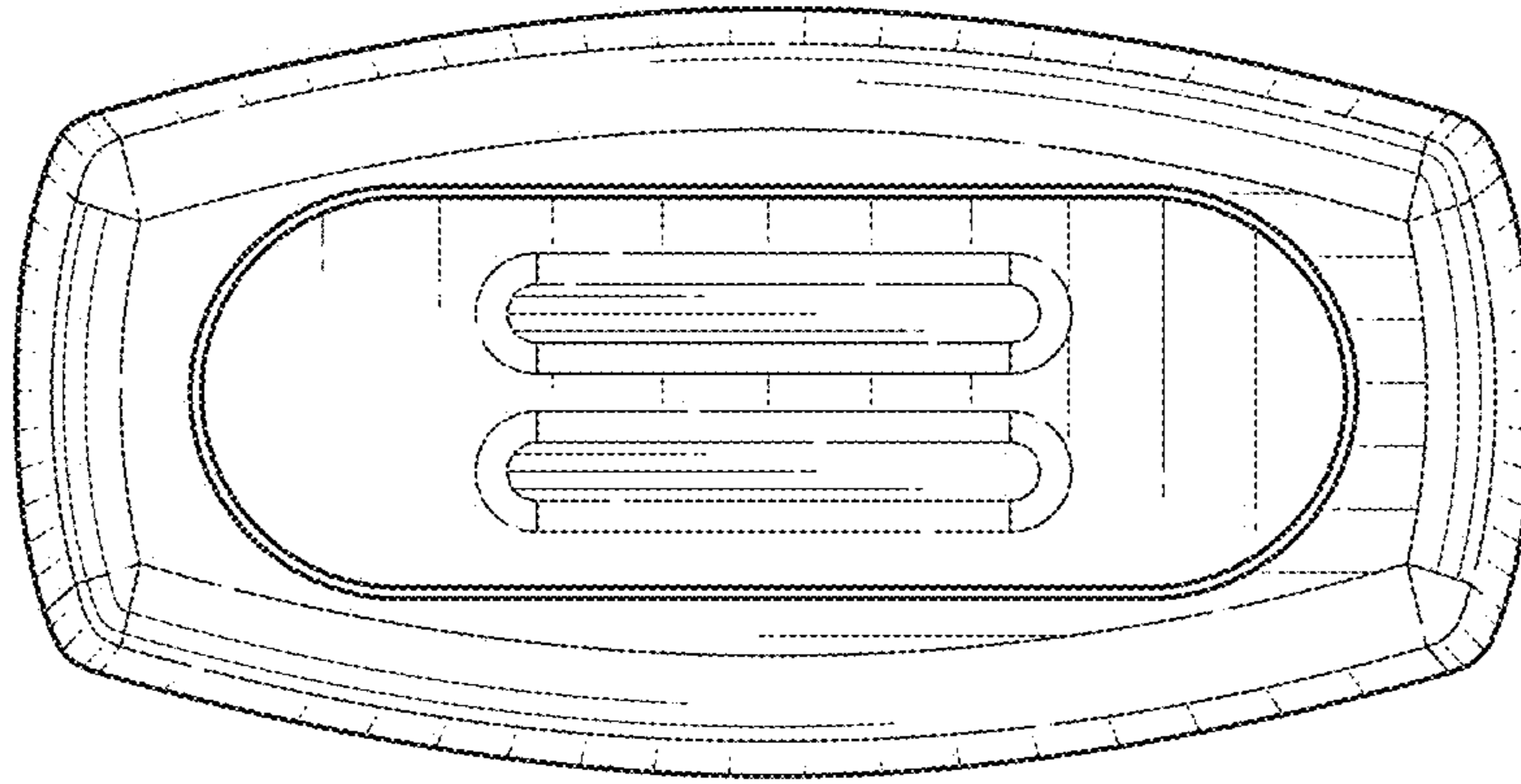


FIG. 11

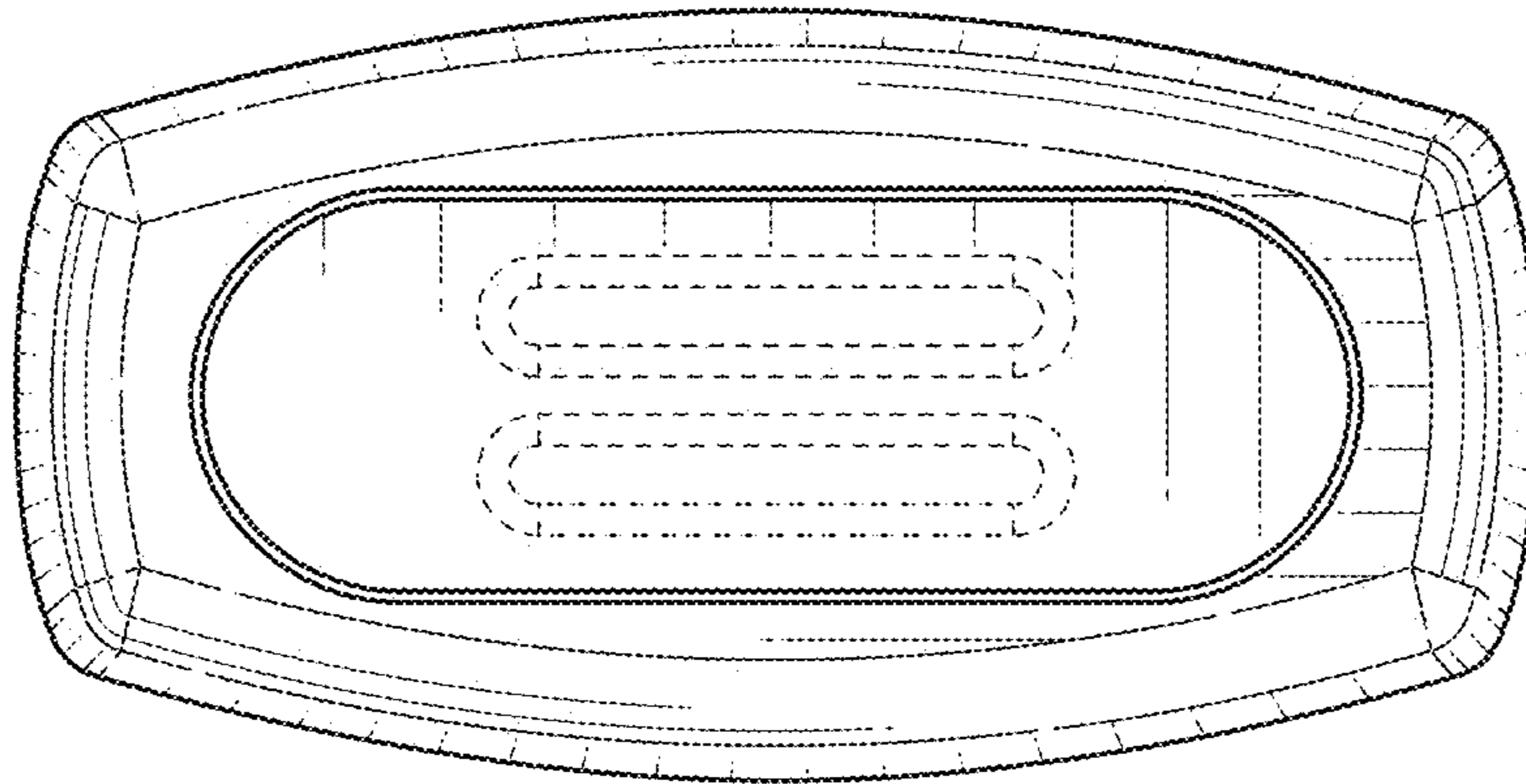


FIG. 12

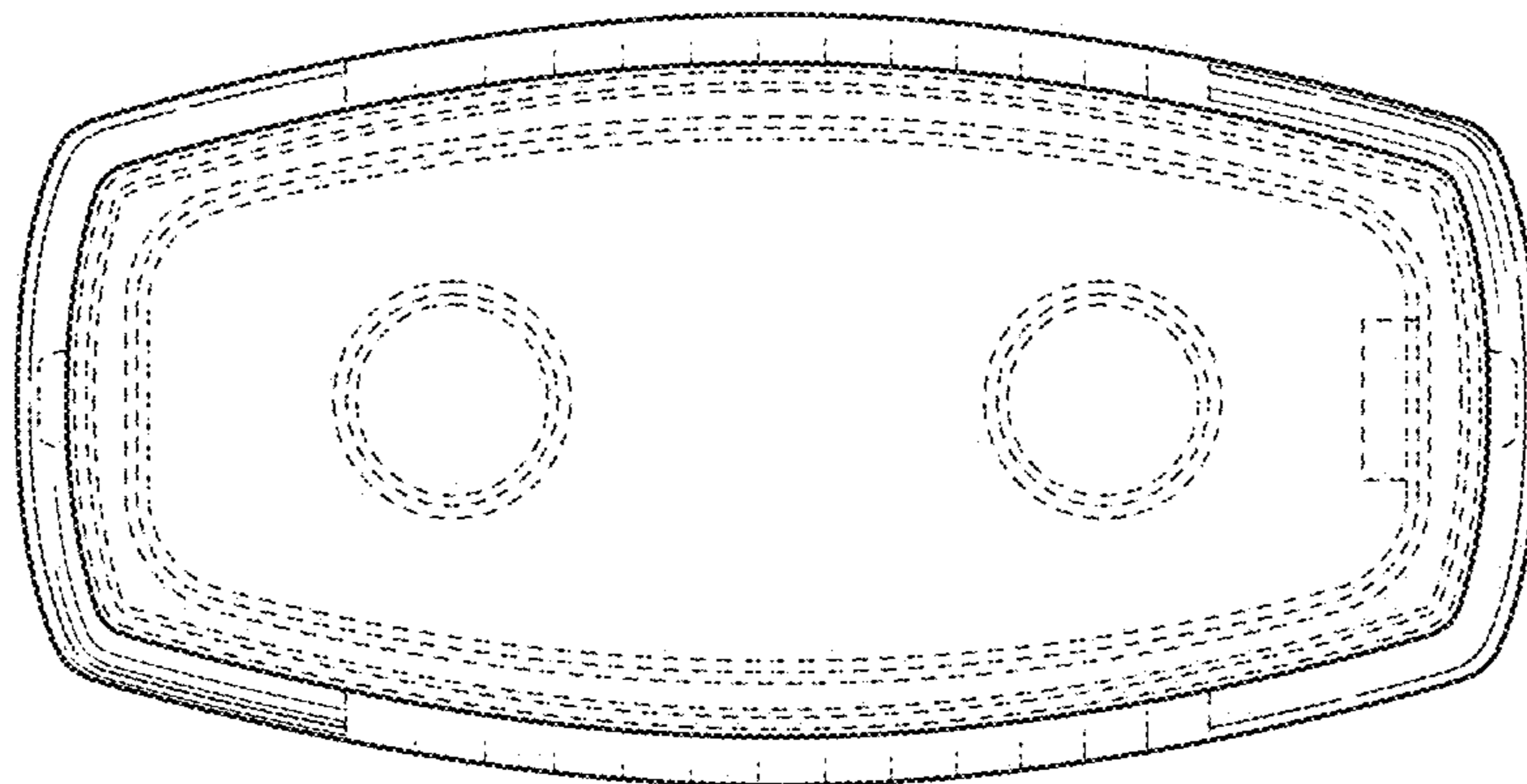


FIG. 13