



US00D930234S

(12) **United States Design Patent** (10) **Patent No.:** **US D930,234 S**
Wang (45) **Date of Patent:** **** Sep. 7, 2021**

(54) **ELECTRONIC ATOMIZING DEVICE**
(71) Applicant: **Shenzhen Smoore Technology Limited**, Shenzhen (CN)
(72) Inventor: **Jianliang Wang**, Shenzhen (CN)

A24F 13/00; A24F 15/01; A24F 15/12;
A24F 15/14; A24F 15/18; A24F 40/85;
A24F 42/00; A24F 42/10; A24F 42/20;
A24F 7/00; A61M 11/005; A61M 11/042;
A61M 11/041; A61M 15/06; A61M
2205/8206;

(73) Assignee: **SHENZHEN SMOORE TECHNOLOGY LIMITED**, Shenzhen (CN)

(Continued)

(**) Term: **15 Years**

(56) **References Cited**

(21) Appl. No.: **29/720,343**

U.S. PATENT DOCUMENTS

(22) Filed: **Jan. 13, 2020**

D832,500 S * 10/2018 Qiu D27/162
D846,492 S * 4/2019 Verleur D13/103
(Continued)

(30) **Foreign Application Priority Data**

FOREIGN PATENT DOCUMENTS

Sep. 24, 2019 (CN) 201930525239.4

CA 190030 * 1/2021
CN 201830545145.9 * 1/2019
(Continued)

(51) **LOC (13) Cl.** **27-02**

Primary Examiner — Marissa J Cash
Assistant Examiner — William B Melliar

(52) **U.S. Cl.**
USPC **D27/162**

(57) **CLAIM**

(58) **Field of Classification Search**

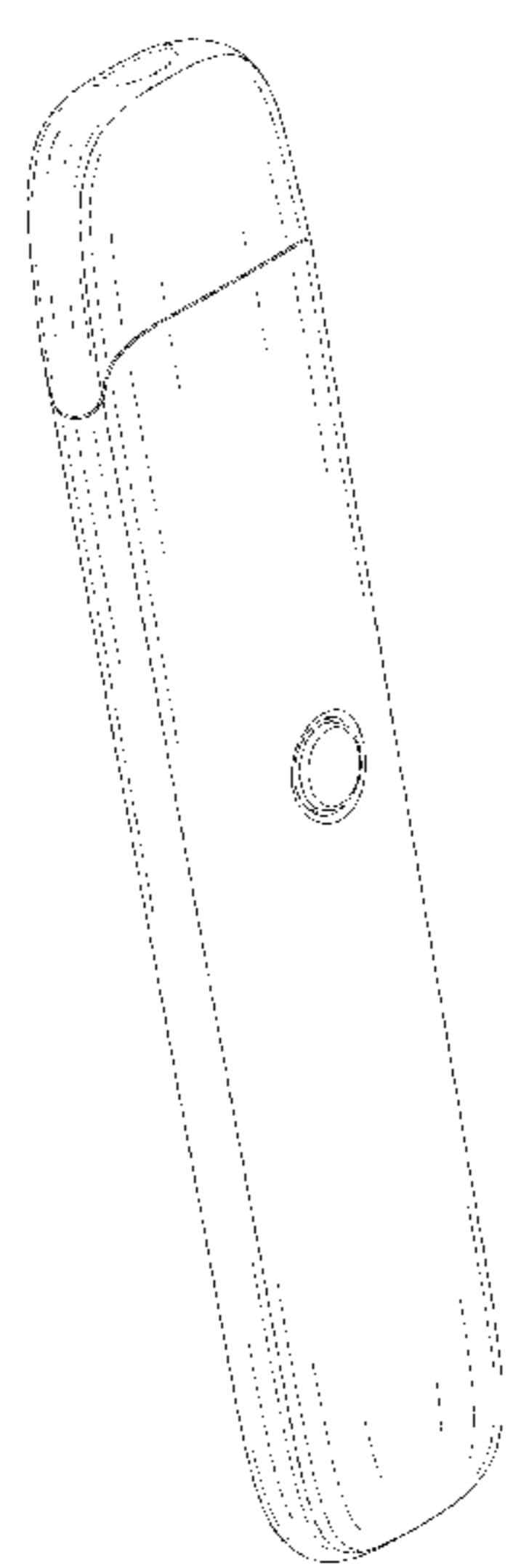
The ornamental design for an electronic atomizing device, as shown and described.

USPC D27/100, 101, 139, 141, 162, 163, 164,
D27/165, 166, 167, 168, 169, 170, 171,
D27/172, 173, 174, 175, 176, 177, 178,
D27/179, 180, 181, 182, 183, 184, 185,
D27/186, 187, 188, 189, 190, 191, 192,
D27/193, 194, 196; D23/360, 362;
D24/110, 110.4, 110.5, 110.6, 113
CPC A24F 40/10; A24F 40/40; A24F 40/46;
A24F 40/44; A24F 40/50; A24F 40/485;
A24F 40/60; A24F 40/90; A24F 40/53;
A24F 40/70; A24F 40/51; A24F 40/05;
A24F 40/48; A24F 40/57; A24F 40/65;
A24F 40/20; A24F 47/002; A24F 40/30;
A24F 40/95; A24F 47/004; A24F 13/14;
A24F 1/32; A24F 40/00; A24F 40/49;
A24F 42/60; A24F 7/04; A24F 9/16;
A24F 47/008; A24F 40/42; A24F 47/00;
A24F 15/015; A24F 1/02; A24F 2700/03;
A24F 40/465; A24F 47/006; A24F 7/02;

DESCRIPTION

FIG. 1 is a perspective view of an electronic atomizing device;
FIG. 2 is another perspective view thereof;
FIG. 3 is a front elevational view thereof;
FIG. 4 is a rear elevational view thereof;
FIG. 5 is a left side elevational view thereof;
FIG. 6 is a right side elevational view thereof;
FIG. 7 is an enlarged top plan view thereof; and,
FIG. 8 is an enlarged bottom plan view thereof.
The broken lines in the drawings depict portions of the electronic atomizing device that form no part of the claimed design.

1 Claim, 8 Drawing Sheets



(58) Field of Classification Search

CPC A61M 15/0021; A61M 15/025; A61M 11/001; A61M 11/02; A61M 2016/0021; A61M 2202/064; A61M 11/00; A61M 15/0085; A61M 15/009; A61M 15/00; A61M 15/0086; A61M 11/06; A61M 15/0018; A61M 2205/3569; A61M 2205/52; A61M 2205/6045; A61M 2205/6054; A61M 2205/6072; A61M 2205/70; A61M 2205/8262; A61M 2206/14; A61M 2206/16; A61M 2206/18; A61M 2207/00; A61M 2209/082; A61M 11/04; A61M 11/044; A61M 15/0001; A61M 15/0008; A61M 15/0016; A61M 15/0036; A61M 15/0041; A61M 15/0043; A61M 15/0045; A61M 15/0048; A61M 15/0066; A61M 15/02; A61M 16/0066; A61M 16/0627; A61M 16/147; A61M 16/201; A61M 2016/0015; A61M 2202/062; A61M 2205/075; A61M 2205/123; A61M 2205/128; A61M 2205/21; A61M 2205/273; A61M 2205/276; A61M 2205/3306; A61M 2205/3372; A61M 2205/583; A61M 2205/75; A61M 2205/7545; A61M 2205/8237; A61M 2205/8268; A61M 2205/84; A61M 2209/06; A61M 2209/10; A61M 2210/0612; A61M 2210/0618; A61M 2210/1039; A61M 2250/00

See application file for complete search history.

(56)

References Cited

U.S. PATENT DOCUMENTS

D861,973	S	*	10/2019	Qiu	D27/101
D870,369	S	*	12/2019	Greenbaum	D27/162
D876,004	S	*	2/2020	Wang	D27/101
D901,756	S	*	11/2020	Chen	D27/101
D901,761	S	*	11/2020	Zhu	D27/162
D902,476	S	*	11/2020	Liu	D27/162
D903,191	S	*	11/2020	Li	D27/101
D904,680	S	*	12/2020	Pan	D27/162
D908,952	S	*	1/2021	Guo	D27/101
D908,953	S	*	1/2021	Fornarelli	D27/162
D919,880	S	*	5/2021	Chen	D27/162
2018/0310618	A1	*	11/2018	Watson	H05B 1/0227
2019/0261690	A1	*	8/2019	Lin	H02J 7/00

FOREIGN PATENT DOCUMENTS

CN	201930297934.X	*	2/2020
CN	201930417046.7	*	2/2020
CN	201930447508.X	*	2/2020
CN	201930387540.3	*	3/2020
CN	201930562298.9	*	4/2020
CN	201930584479.1	*	6/2020
CN	202030082481.1	*	6/2020
CN	201930486524.X	*	7/2020
CN	201930587302.7	*	7/2020
CN	202030095732.X	*	8/2020
CN	202030163398.7	*	8/2020
CN	202030374917.4	*	11/2020
CN	202030476280.X	*	2/2021
CN	202030494472.3	*	2/2021
CN	202030495022.6	*	2/2021
KR	3020200001571	*	10/2020

* cited by examiner

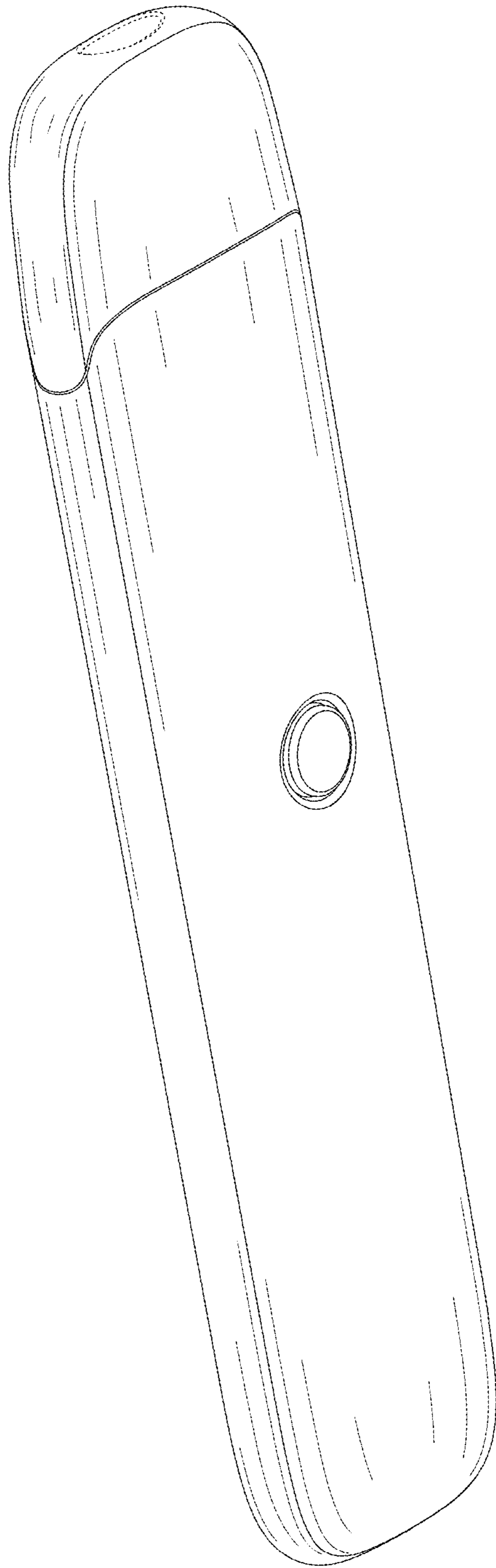


FIG. 1

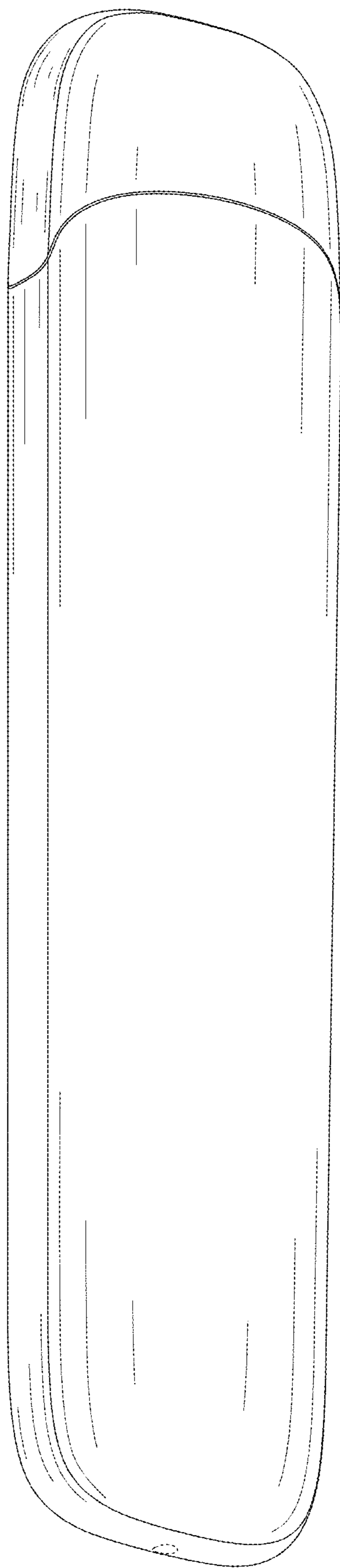


FIG. 2

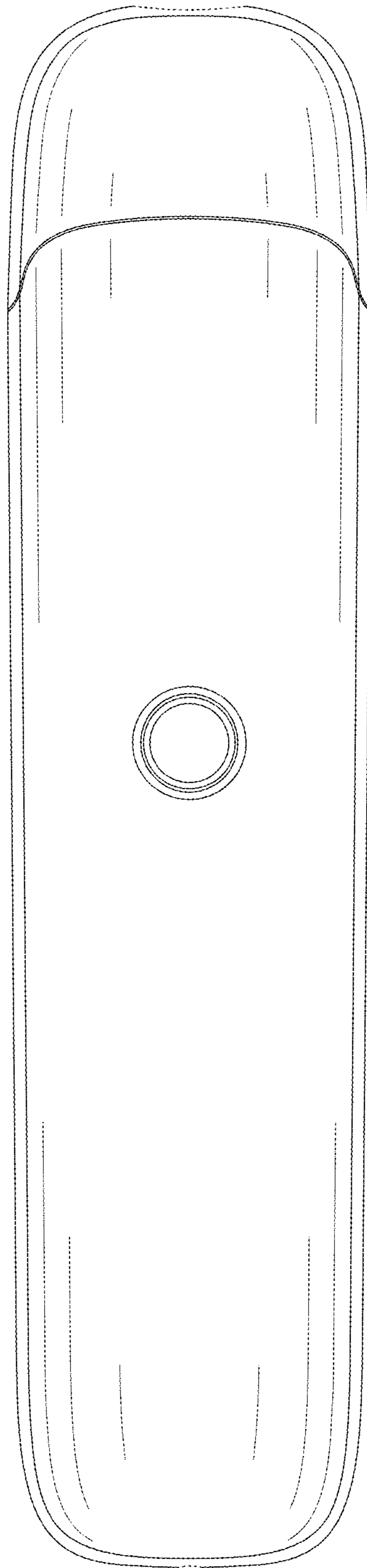


FIG. 3

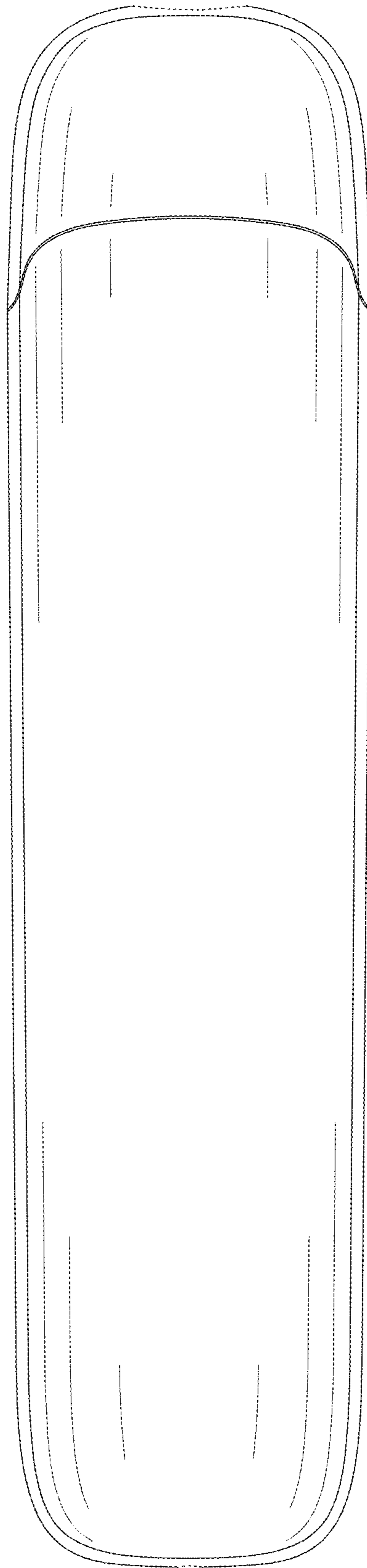


FIG. 4

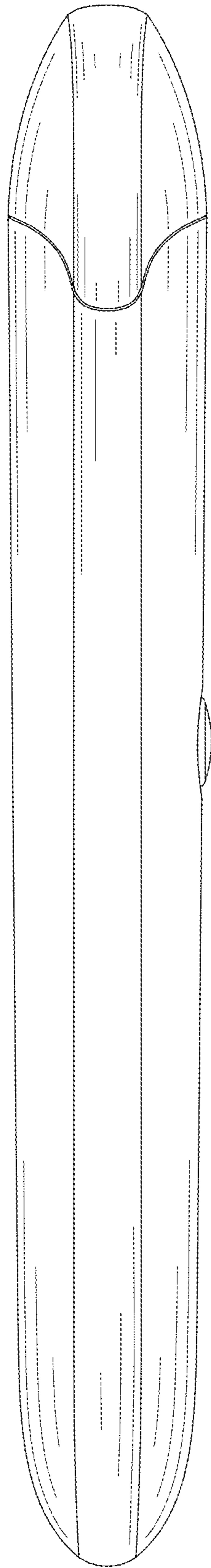


FIG. 5

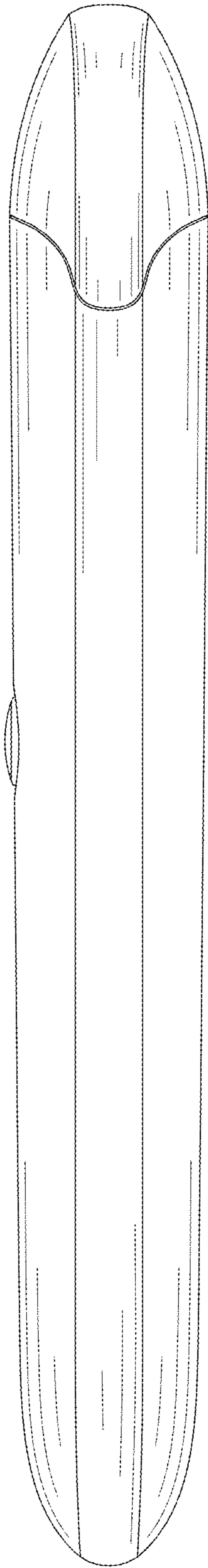


FIG. 6

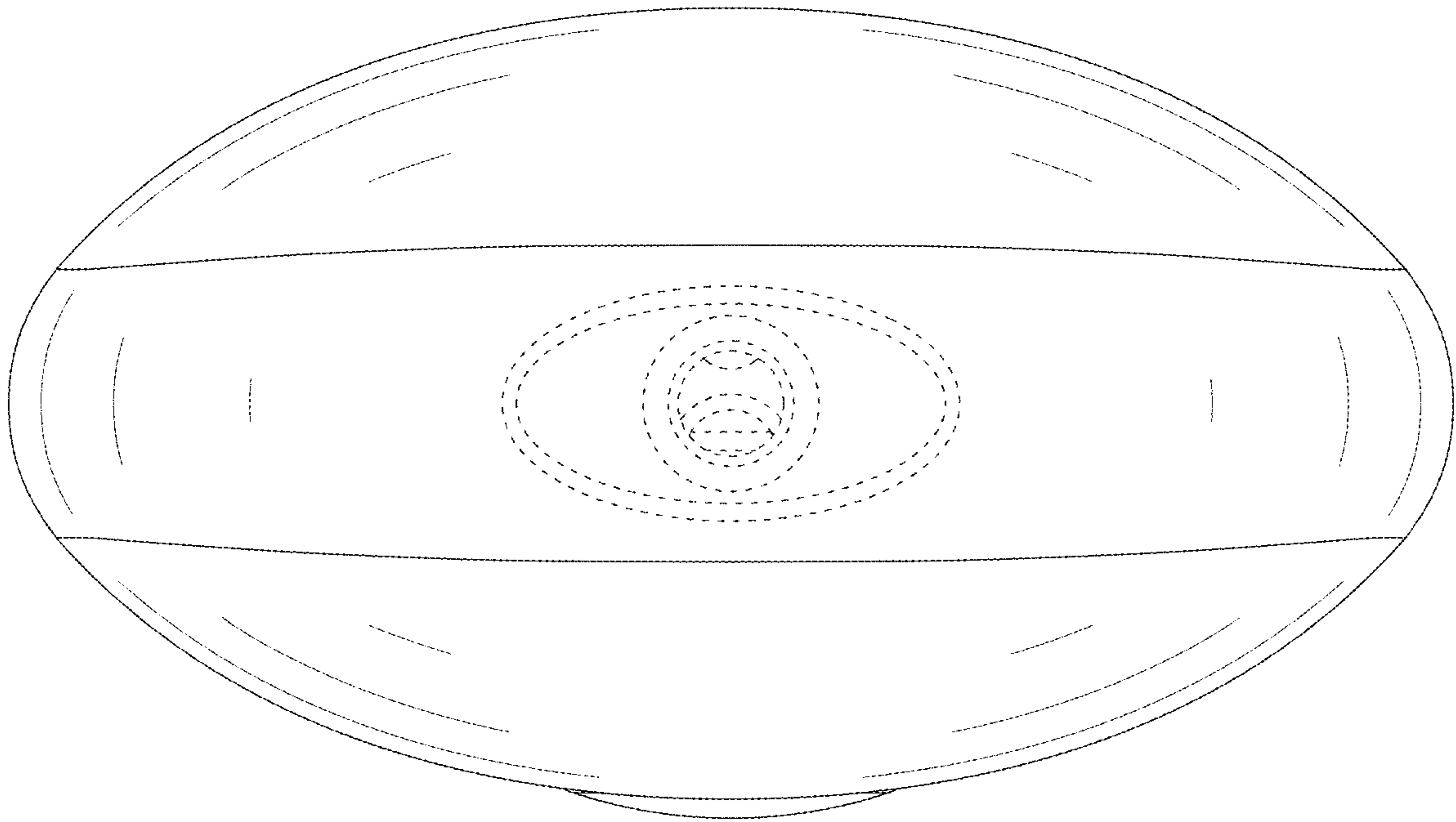


FIG. 7

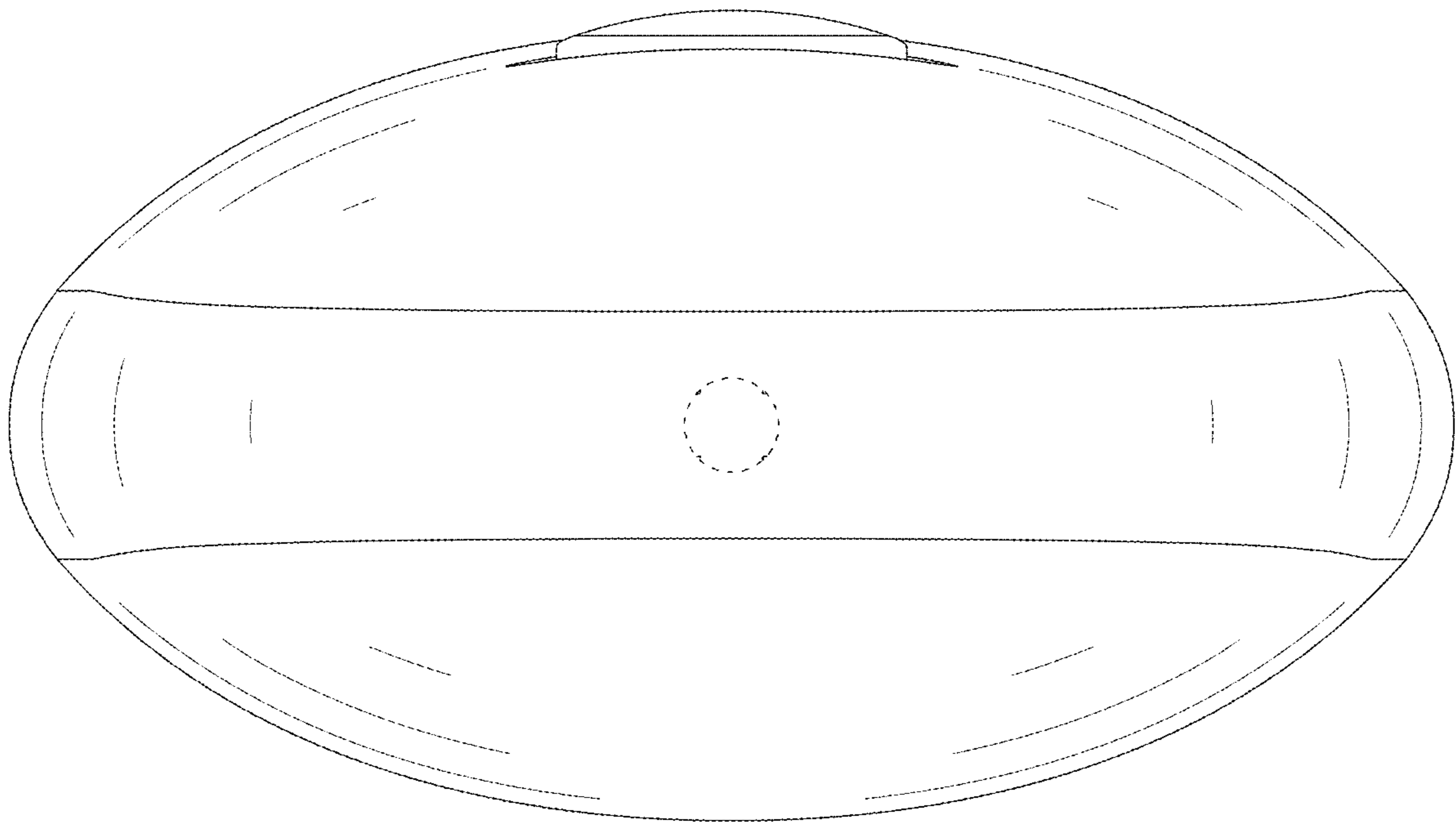


FIG. 8