

US00D930229S

(12) **United States Design Patent** (10) **Patent No.:** **US D930,229 S**
Rix et al. (45) **Date of Patent:** **** Sep. 7, 2021**

(54) **HEAT MANAGEMENT UNIT FOR A HOOKAH**

8,826,915 B2 9/2014 Mehio
D722,720 S 2/2015 Garbo
D731,465 S * 6/2015 Khubani D14/216
9,107,456 B2 8/2015 Mehio
9,179,710 B2 11/2015 Chaoui
(Continued)

(71) Applicant: **Starbuzz Tobacco, Inc.**, Garden Grove, CA (US)

(72) Inventors: **John Fred Rix**, Tuscon, AZ (US);
Haytham Kalasho, Escondido, CA (US)

FOREIGN PATENT DOCUMENTS

CN 202396428 U 8/2012
CN 206294887 U 7/2017
DE 20212626 U1 10/2002

(73) Assignee: **Starbuzz Tobacco, Inc.**, Garden Grove, CA (US)

OTHER PUBLICATIONS

(**) Term: **15 Years**

Office Action—Requirement for Restriction/Election on related U.S. application (U.S. Appl. No. 29/645,058) dated Nov. 5, 2019.
(Continued)

(21) Appl. No.: **29/645,062**

(22) Filed: **Apr. 23, 2018**

(51) **LOC (13) Cl.** **27-02**

(52) **U.S. Cl.**
USPC **D27/162**

(58) **Field of Classification Search**
USPC D27/162, 164, 167; 126/26, 204, 205;
131/328, 214, 173, 200; D12/170
CPC A24F 1/30
See application file for complete search history.

Primary Examiner — Marissa J Cash
Assistant Examiner — Rebecca Tsehaye
(74) *Attorney, Agent, or Firm* — Klein, O'Neill & Singh, LLP

(57) **CLAIM**

The ornamental design for a heat management unit for a hookah, as shown and described.

(56) **References Cited**

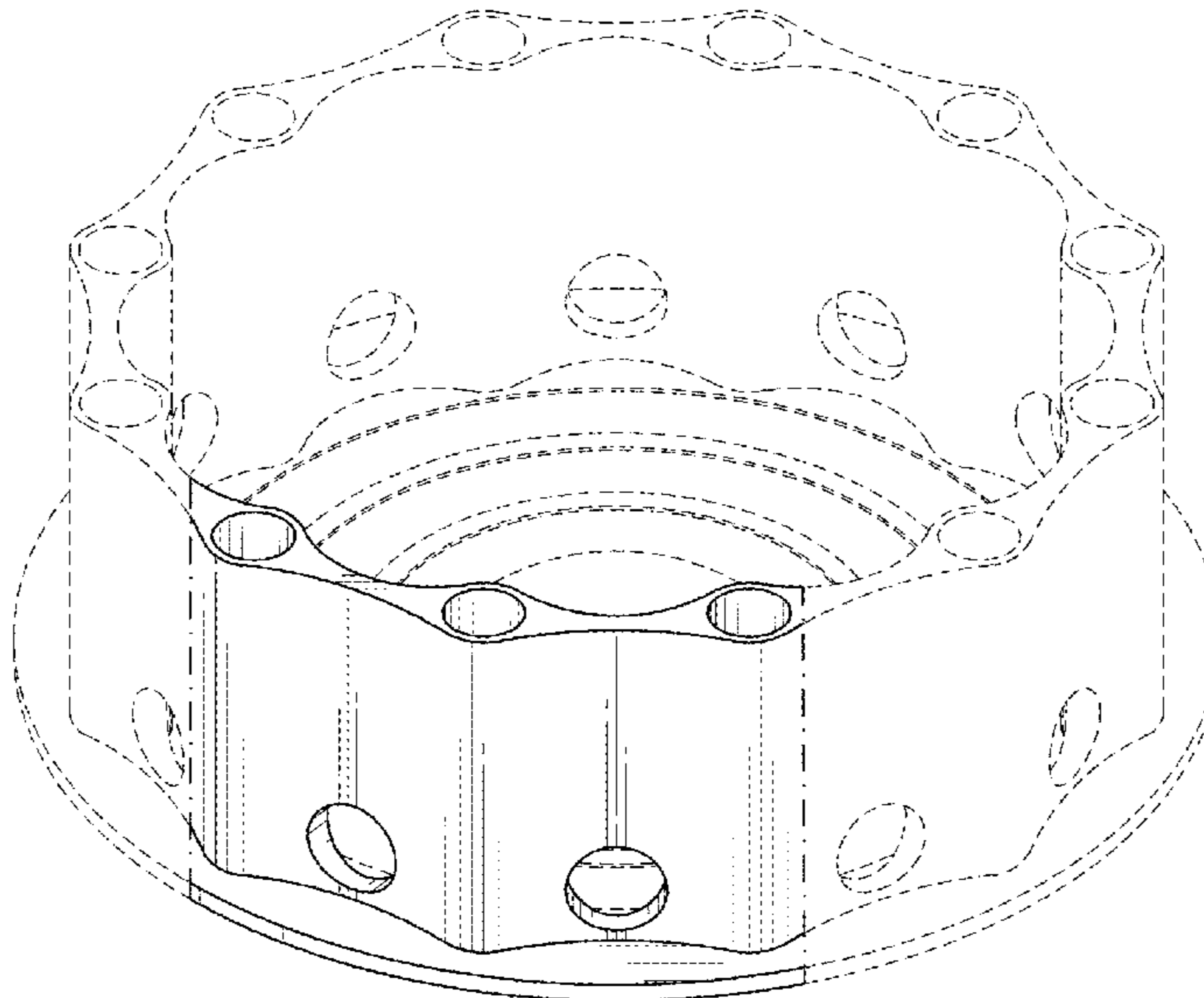
DESCRIPTION

U.S. PATENT DOCUMENTS

D254,930 S 5/1980 Mandon et al.
D404,459 S 1/1999 Furner et al.
7,287,530 B1 10/2007 Stuart
7,798,152 B1 9/2010 Tannous
7,827,995 B2 11/2010 Chaoui
D641,464 S * 7/2011 De Haan D23/366
8,459,269 B2 6/2013 Zoumut
8,464,725 B2 6/2013 Badawi
8,490,630 B2 7/2013 Boutros et al.
8,590,541 B2 11/2013 Mehio
D698,434 S * 1/2014 Wolff D23/393
8,757,170 B2 6/2014 Kaplani
8,763,799 B2 7/2014 Haidar

FIG. 1 is a perspective view of a heat management unit for a hookah embodying the new design;
FIG. 2 is a front side elevation view thereof;
FIG. 3 is a back side elevation view thereof;
FIG. 4 is a right side elevation view thereof; and,
FIG. 5 is a left side elevation view thereof.
The broken lines in the drawings depict portions of the heat management unit for a hookah that form no part of the claimed design.
The claimed subject matter extends to the boundary but does not include the boundary.

1 Claim, 3 Drawing Sheets



(56)

References Cited

U.S. PATENT DOCUMENTS

9,237,770	B2	1/2016	Bavar	
9,247,772	B2	2/2016	Mehio	
D760,430	S	6/2016	Hanna	
D767,820	S	9/2016	Jordan et al.	
D770,088	S	10/2016	Abadi et al.	
D782,108	S	3/2017	Jordan et al.	
D787,439	S	5/2017	Sloan	
9,833,018	B2	12/2017	Mehio	
9,877,517	B2	1/2018	Liu	
D818,078	S	5/2018	Zhang et al.	
D841,231	S *	2/2019	Hawes	D27/170
D853,547	S *	7/2019	Avidor	D23/366
D861,977	S	10/2019	Masri	
D870,371	S *	12/2019	Storz	D27/167
D873,480	S *	1/2020	Hawes	D27/170
D897,032	S *	9/2020	Rix	D27/162
2007/0056599	A1	3/2007	Zoumut	
2010/0083973	A1	4/2010	Zoumut	
2010/0212679	A1	8/2010	Bishara	

OTHER PUBLICATIONS

International Search Report and Written Opinion on corresponding PCT application (PCT/US2019/028380) from International Searching Authority (EPO) dated Jul. 18, 2019.

* cited by examiner

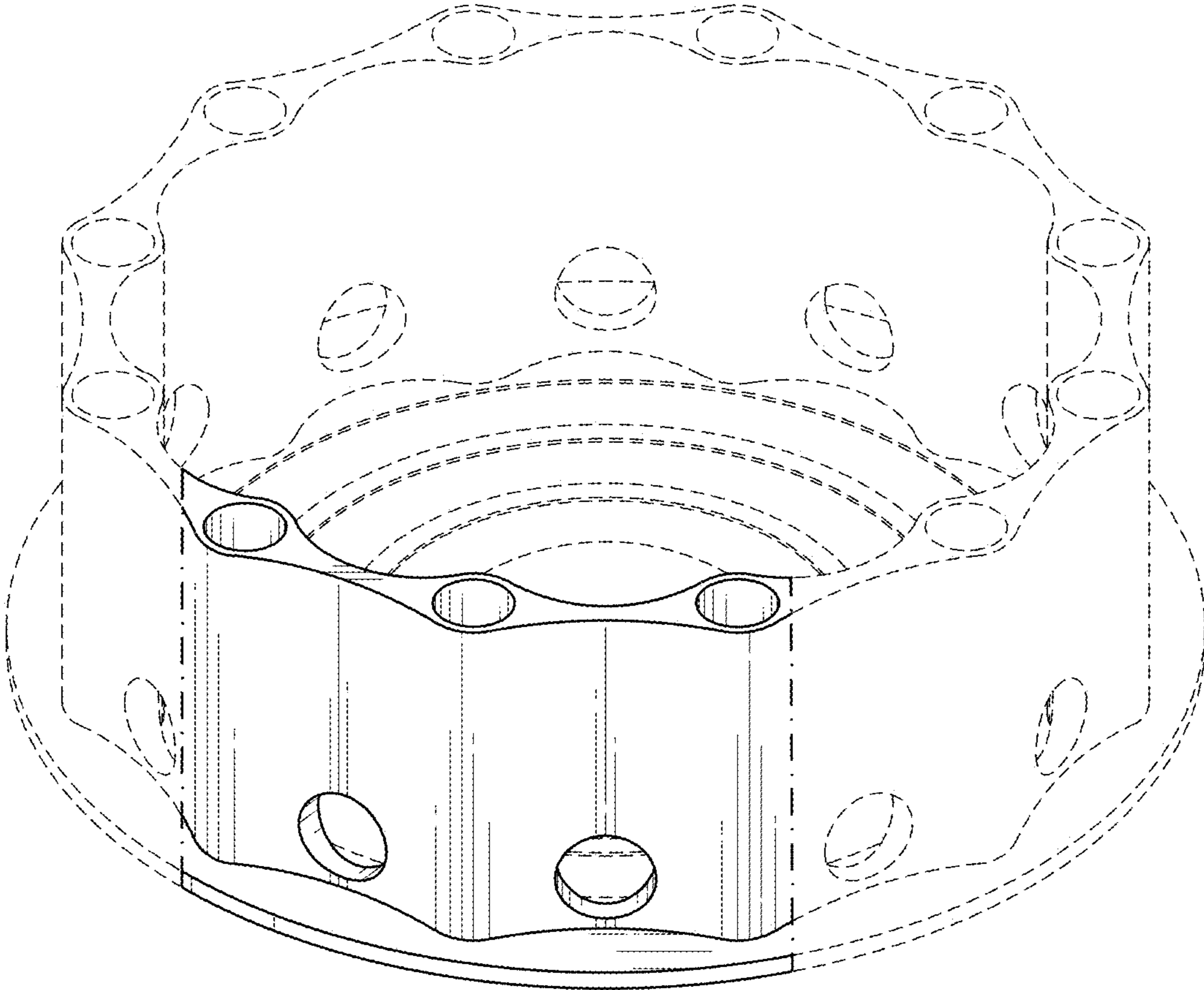


FIG. 1

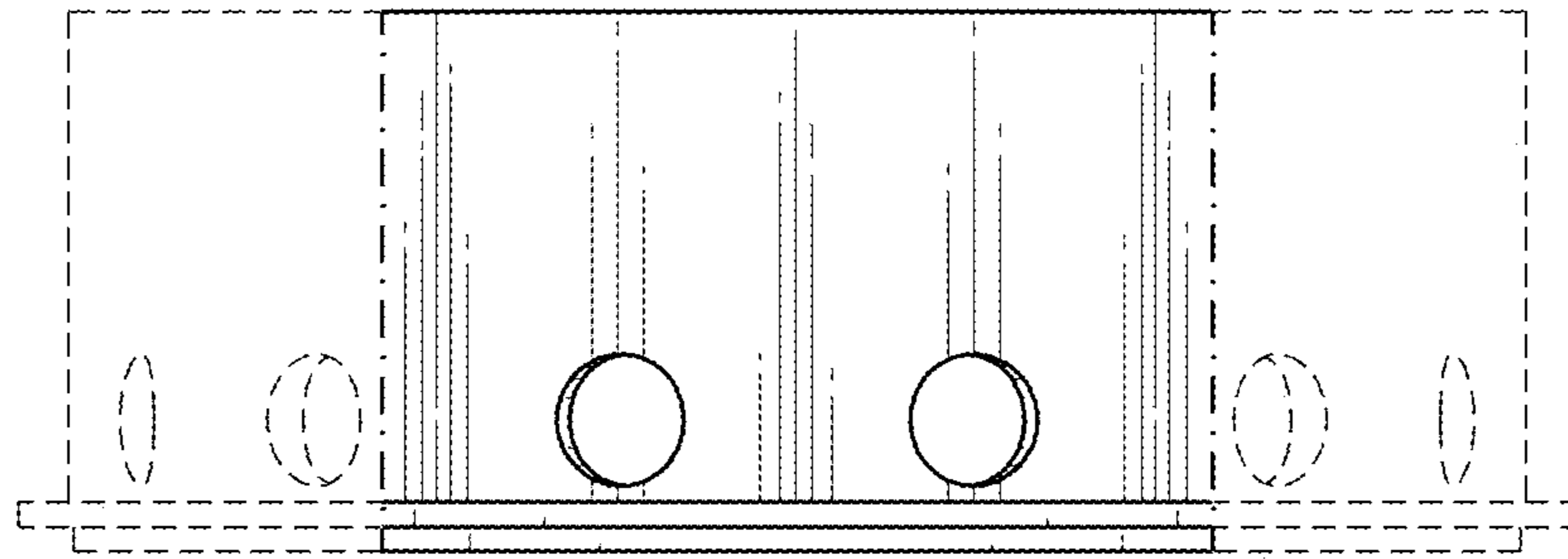


FIG. 2

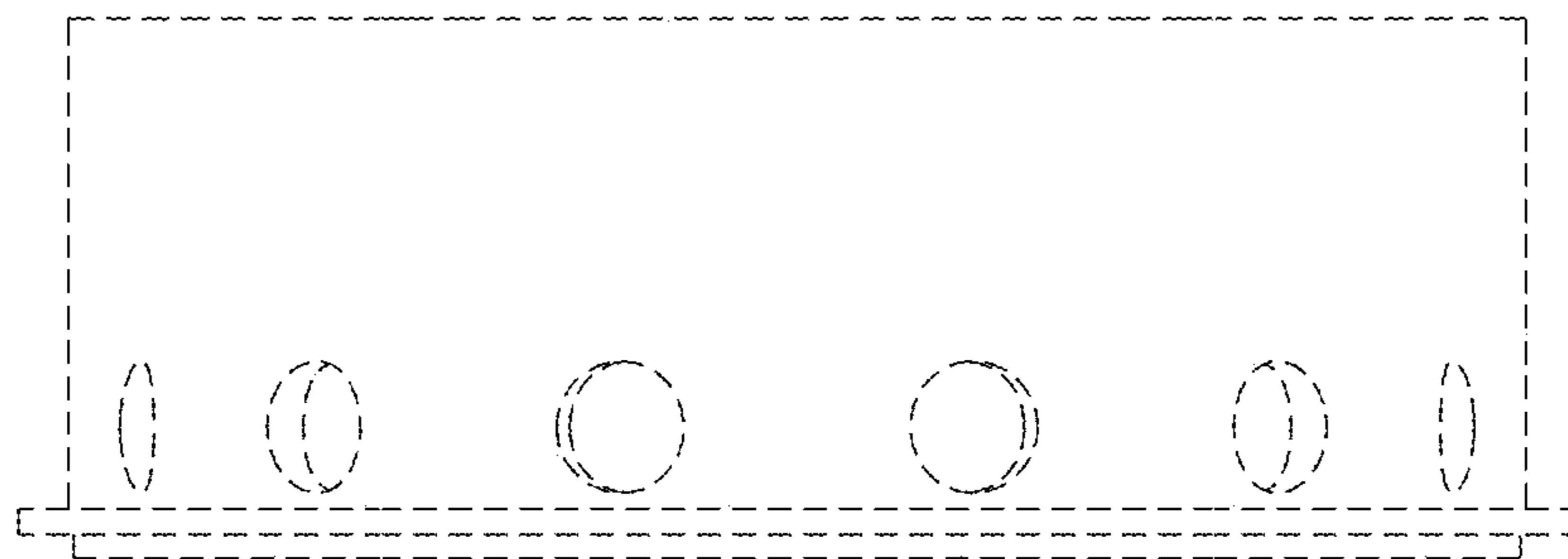


FIG. 3

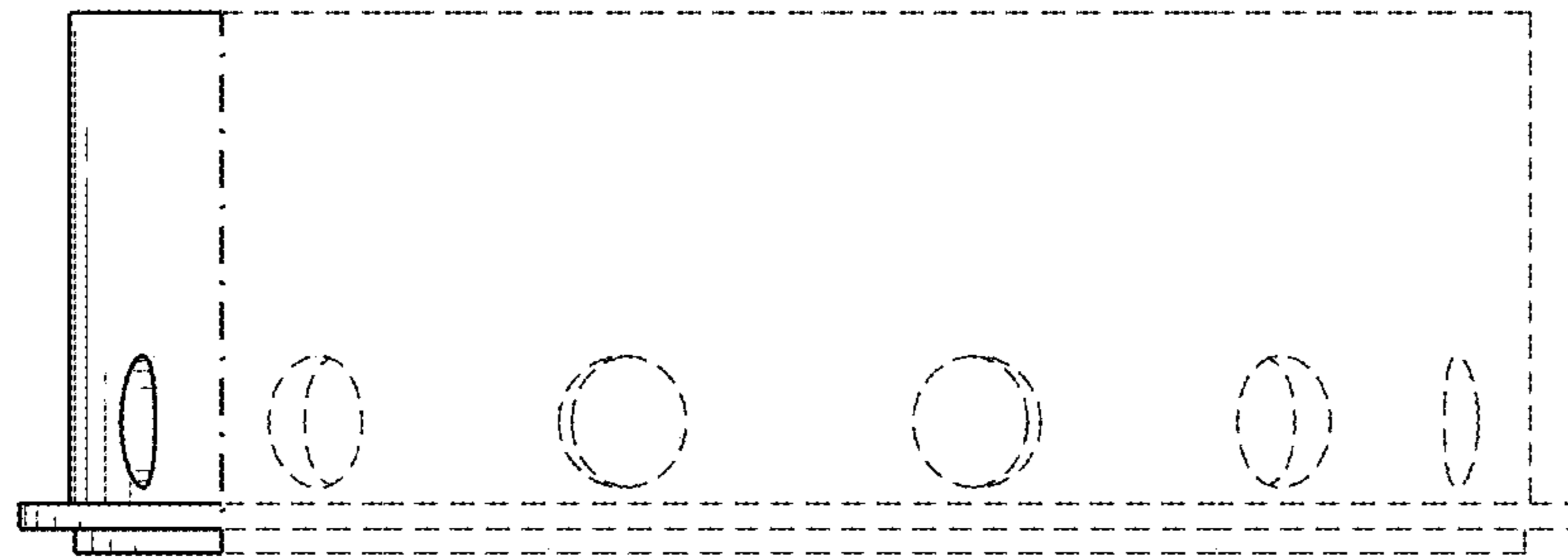


FIG. 4

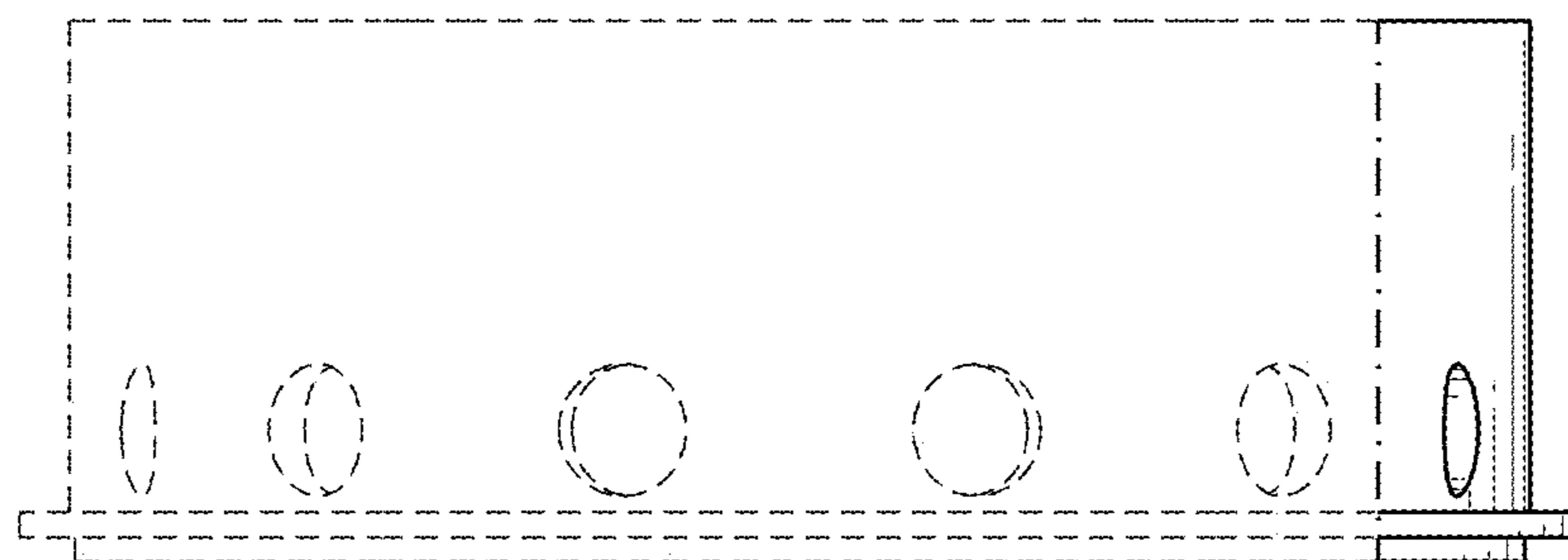


FIG. 5