



US00D930226S

(12) **United States Design Patent** (10) **Patent No.:** **US D930,226 S**
Richardson et al. (45) **Date of Patent:** **** Sep. 7, 2021**

(54) **LIGHT**

(71) Applicant: **RBW STUDIO, LLC**, Brooklyn, NY (US)

(72) Inventors: **Theodore Richardson**, Brooklyn, NY (US); **Charles Brill**, Brooklyn, NY (US); **Alexander Williams**, Brooklyn, NY (US)

(73) Assignee: **RBW STUDIO, LLC**, Brooklyn, NY (US)

(**) Term: **15 Years**

(21) Appl. No.: **29/669,988**

(22) Filed: **Nov. 13, 2018**

(51) **LOC (13) Cl.** **26-05**

(52) **U.S. Cl.**
USPC **D26/118**

(58) **Field of Classification Search**
USPC ... D26/1, 24, 25, 37, 42, 43, 61, 73, 80, 86, D26/110, 118, 128; 362/224, 225, 227, 362/239, 249.04, 249.16
CPC F21S 4/00; F21S 4/10; F21S 4/15; F21S 4/20; F21S 4/22; F21S 4/26; F21S 4/28; F21S 4/001; F21S 4/002; F21S 4/003; F21W 2121/00; F21W 2121/04; G09F 13/00; G09F 13/22; F21V 3/00; F21V 3/023

See application file for complete search history.

(56) **References Cited**

U.S. PATENT DOCUMENTS

D391,000 S * 2/1998 Markee D26/86
D404,681 S * 1/1999 Galerneau D11/121

D684,297 S * 6/2013 Lin D26/118
D753,868 S * 4/2016 Smith D26/118
D770,672 S * 11/2016 Ju D26/128
D810,987 S * 2/2018 Pan D26/88
D856,573 S * 8/2019 McRoberts D26/128
2008/0084695 A1* 4/2008 Hsu F21S 4/10
362/249.01
2009/0046461 A1* 2/2009 Fan F21S 4/10
362/242

* cited by examiner

Primary Examiner — Wan Laymon

Assistant Examiner — Clint A Samuel

(74) *Attorney, Agent, or Firm* — Saidman DesignLaw Group, LLC

(57) **CLAIM**

The ornamental design for a light, as shown and described.

DESCRIPTION

FIG. 1 is a perspective view of a light showing our new design;

FIG. 2 is a front perspective view thereof;

FIG. 3 is a rear perspective view thereof;

FIG. 4 is a left side perspective view thereof;

FIG. 5 is a right side perspective view thereof;

FIG. 6 is a top perspective view thereof; and,

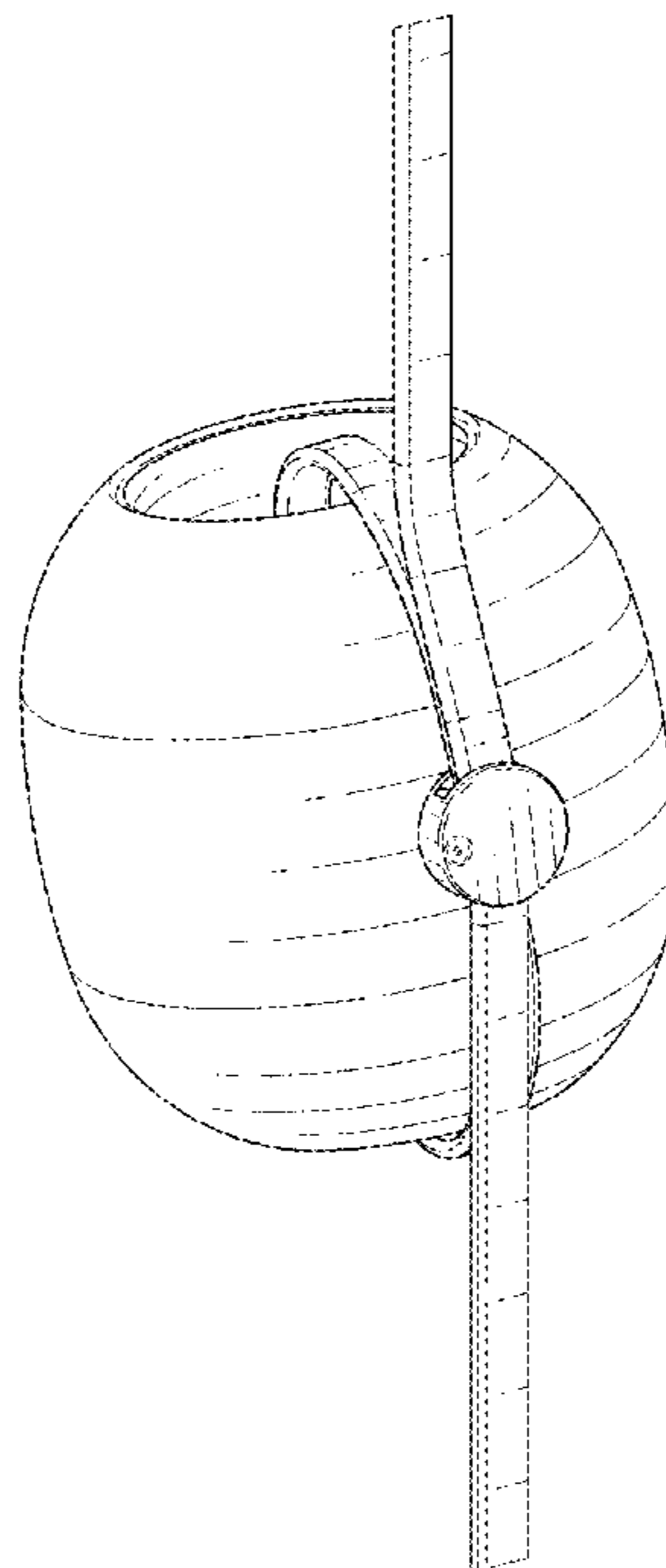
FIG. 7 is a bottom perspective view thereof.

The broken lines illustrate structure or features which form no part of the claimed design.

The dot-dash broken lines illustrate boundaries which form no part of the claimed design.

The drawings include surface shading which illustrates contour and not surface ornamentation.

1 Claim, 4 Drawing Sheets



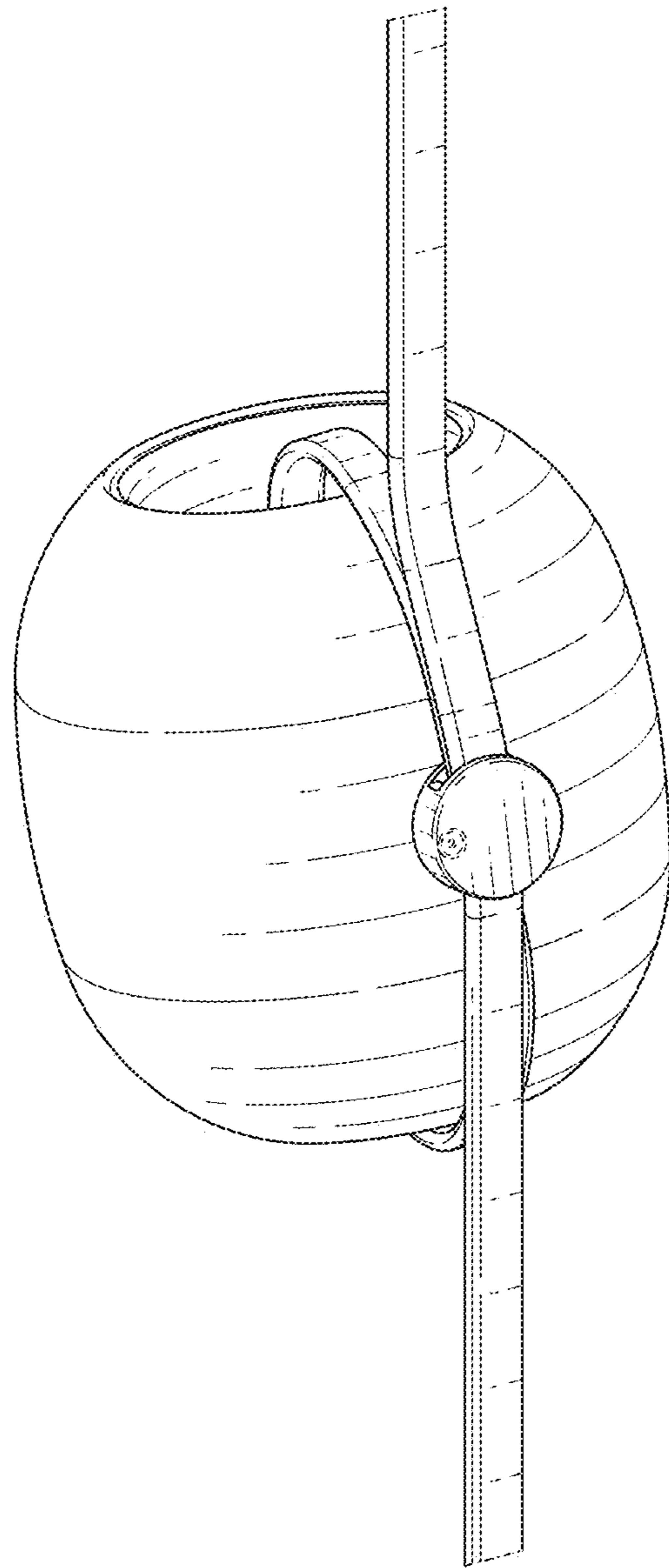


FIG. 1

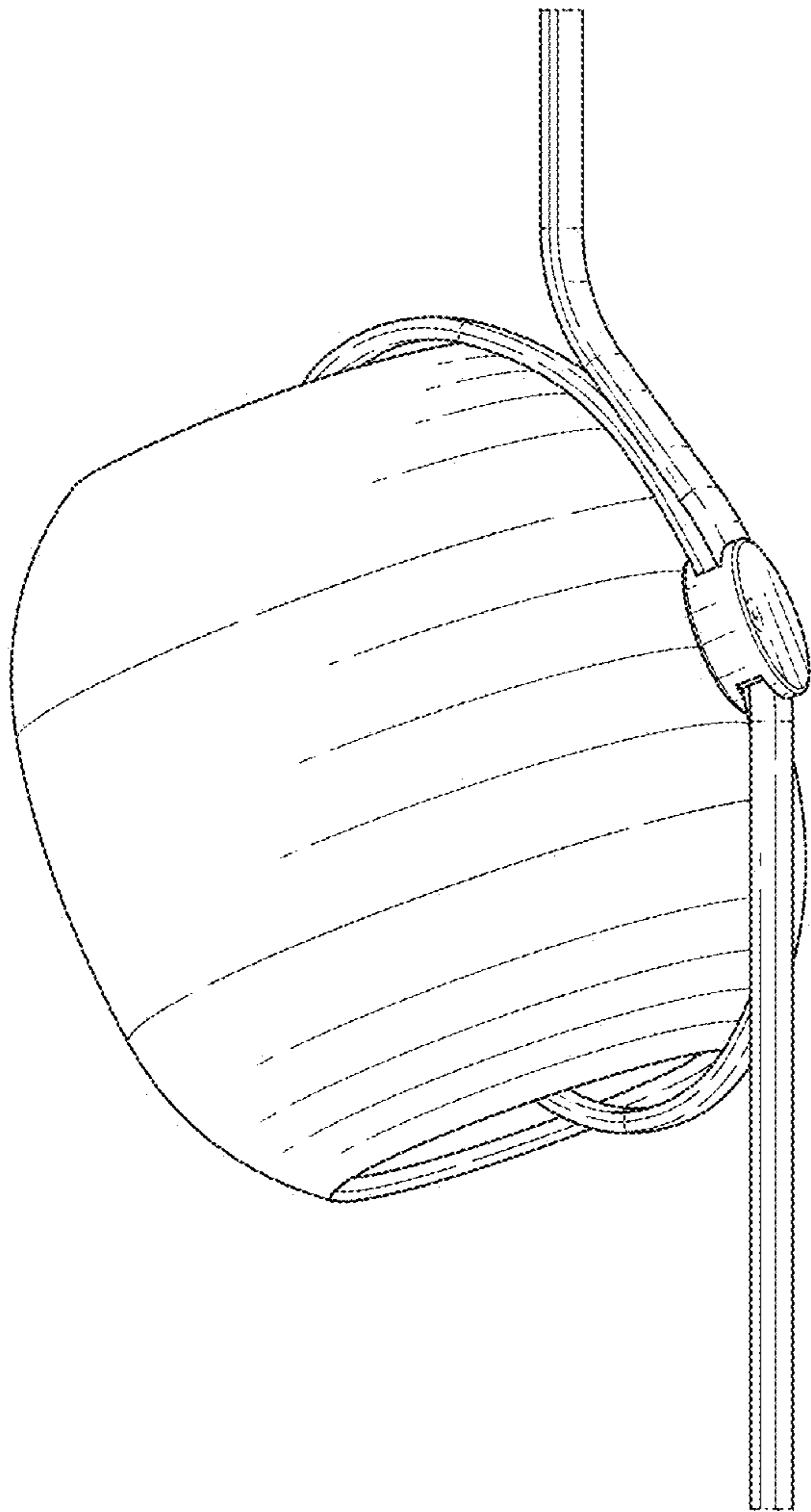


FIG. 2

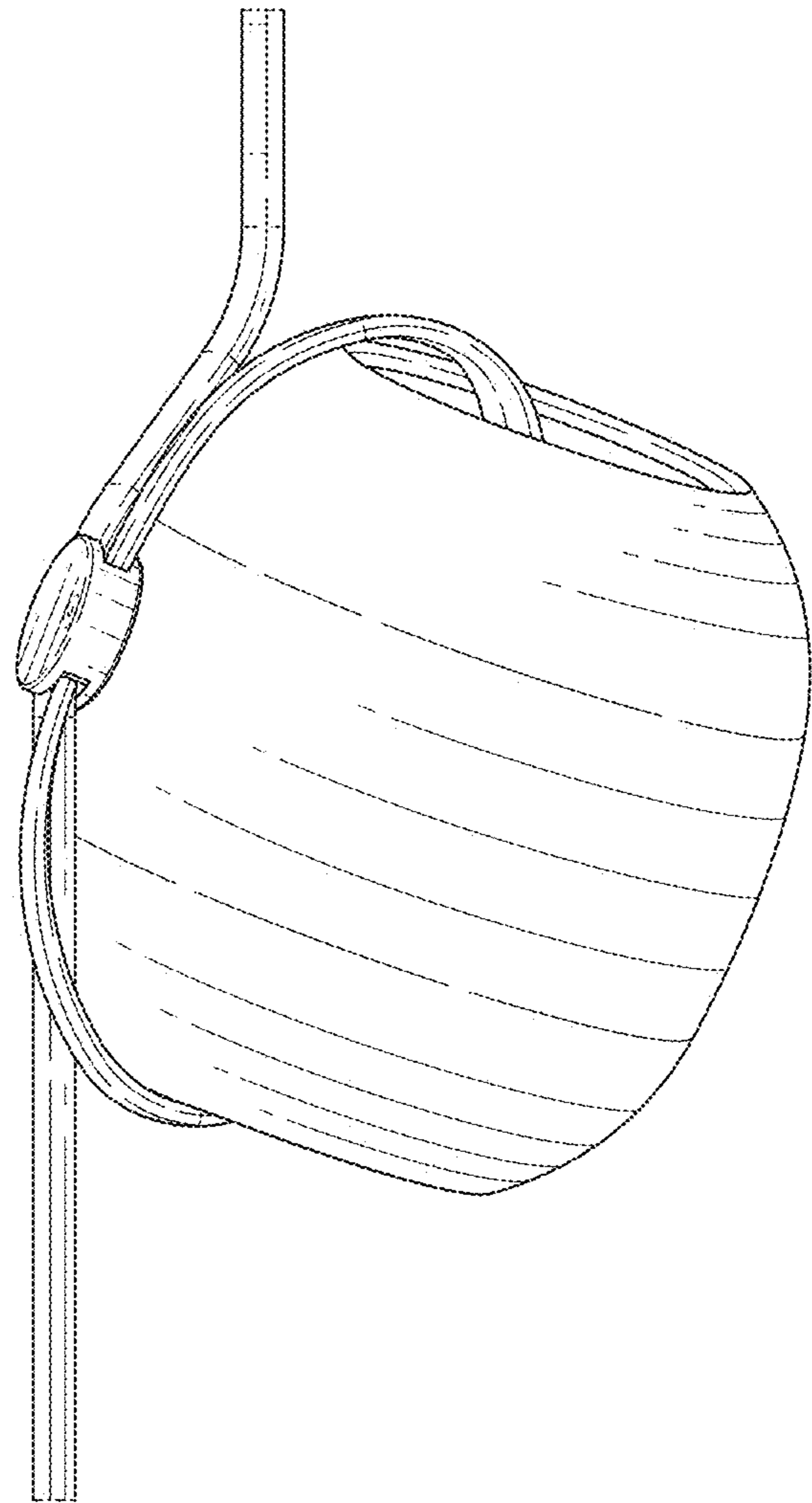


FIG. 3

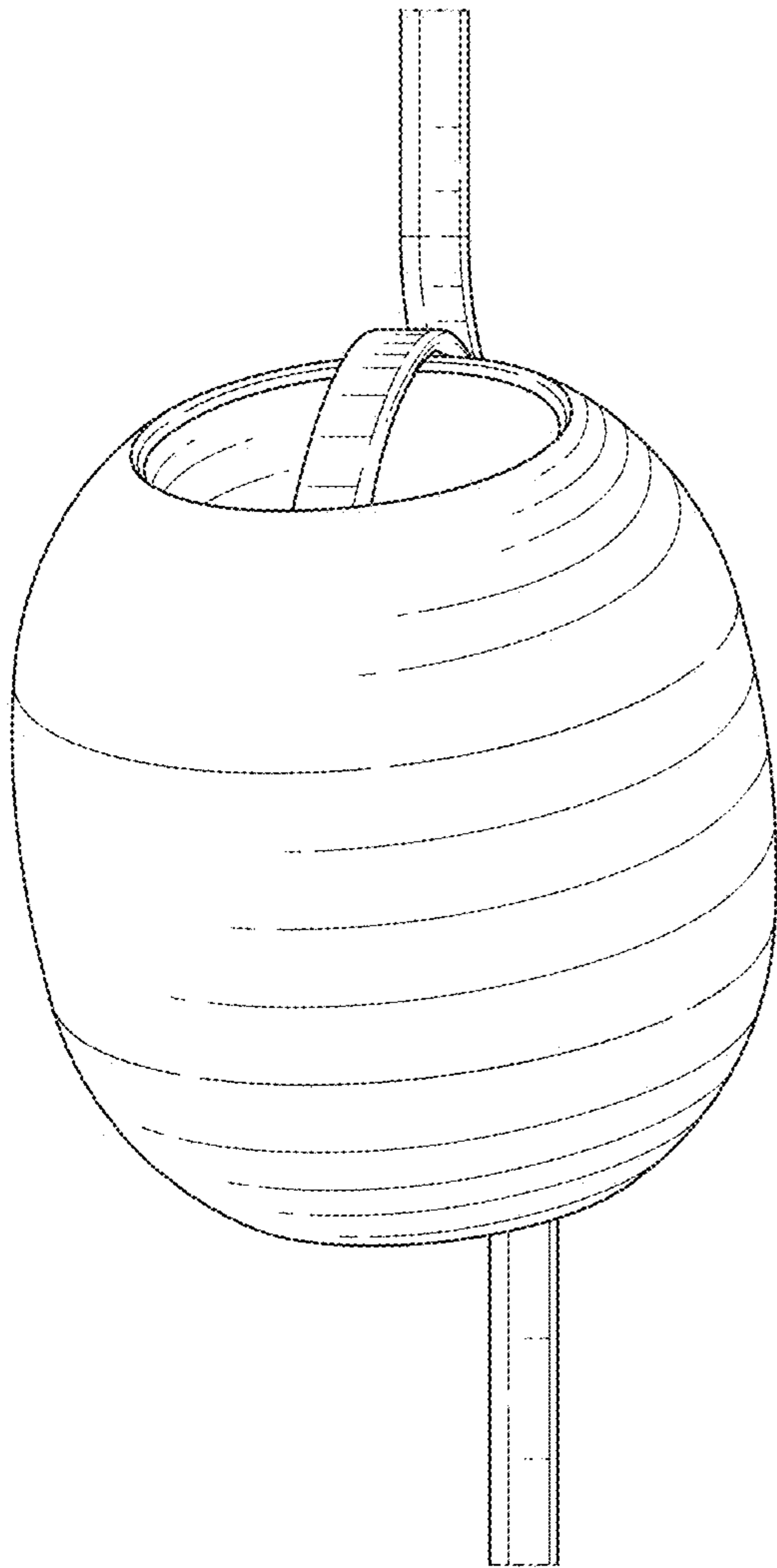


FIG. 4

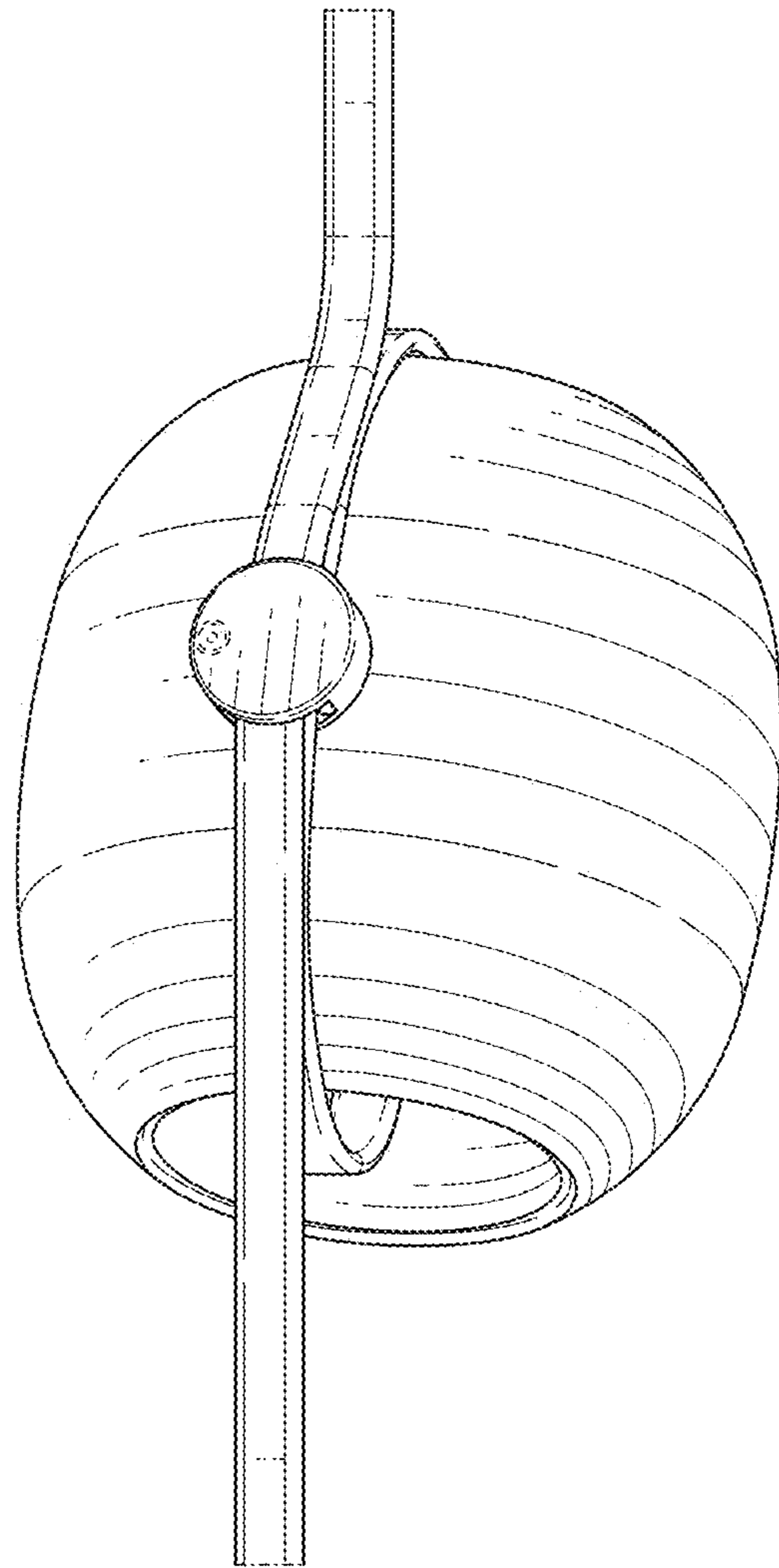


FIG. 5

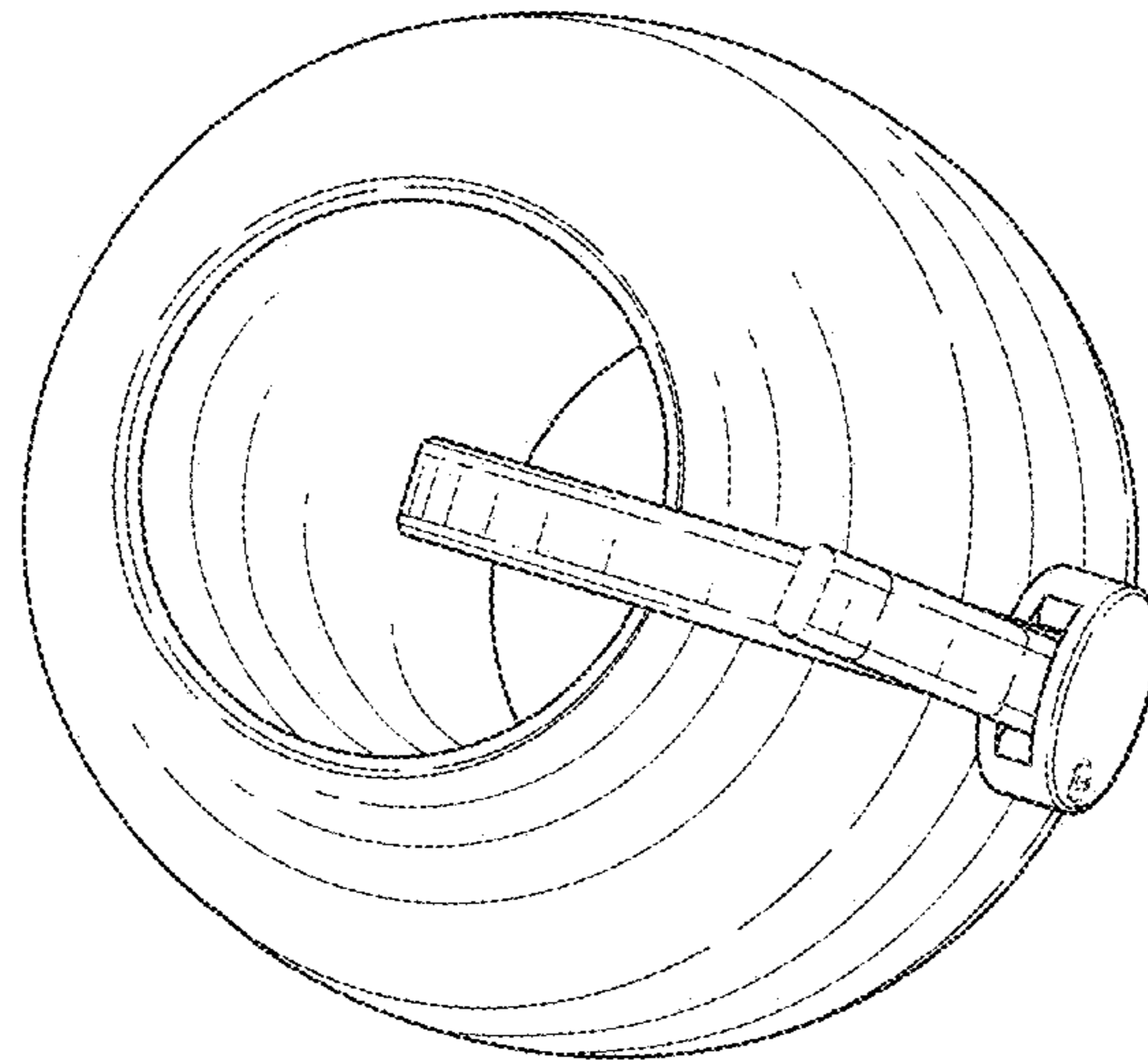


FIG. 6

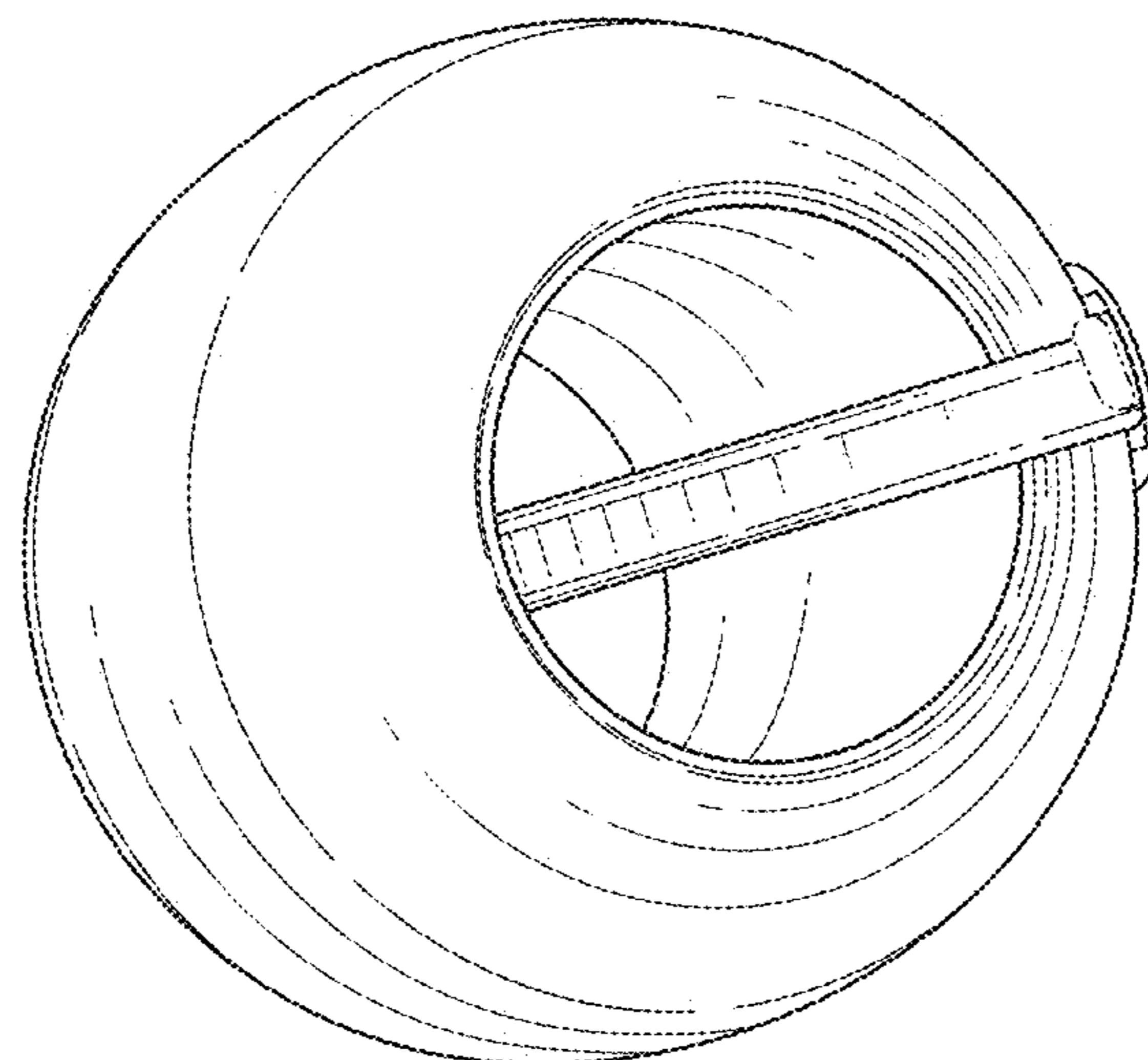


FIG. 7