



US00D930225S

(12) **United States Design Patent** (10) **Patent No.:** **US D930,225 S**  
**Jiang** (45) **Date of Patent:** **\*\* Sep. 7, 2021**

(54) **SOLAR LAMP**

(71) Applicant: **NINGBO JINGHOME IMP & EXP CO., LTD.**, Ningbo (CN)

(72) Inventor: **Qin Jiang**, Ningbo (CN)

(73) Assignee: **NINGBO JINGHOME IMP & EXP CO., LTD.**, Ningbo (CN)

(\*\*) Term: **15 Years**

(21) Appl. No.: **29/762,063**

(22) Filed: **Dec. 15, 2020**

(51) **LOC (13) Cl.** ..... **26-03**

(52) **U.S. Cl.**  
USPC ..... **D26/113; D26/63; D26/68**

(58) **Field of Classification Search**  
USPC ..... **D26/3, 65, 67, 68, 113**  
CPC .. **F21S 8/081; F21S 8/083; F21S 8/088; F21S 9/03; F21S 9/025; F21S 9/037; F21V 21/0824; F21W 2111/02; F21W 2111/023; G09F 13/0404; G09F 2013/0431**  
See application file for complete search history.

(56) **References Cited**

**U.S. PATENT DOCUMENTS**

5,211,470 A \* 5/1993 Frost ..... F21S 9/037 362/183  
D785,224 S 4/2017 Tsai

D810,342 S 2/2018 Chen  
D839,472 S \* 1/2019 Hu ..... D26/63  
D852,398 S \* 6/2019 Liu ..... D26/63  
D875,289 S \* 2/2020 Hu ..... D26/63  
D887,059 S \* 6/2020 Liu ..... D26/63  
D903,921 S \* 12/2020 Zhuo ..... D26/63  
D905,312 S \* 12/2020 Zhuo ..... D26/63  
D914,942 S \* 3/2021 Li ..... D26/63

\* cited by examiner

*Primary Examiner* — Brian N. Vinson

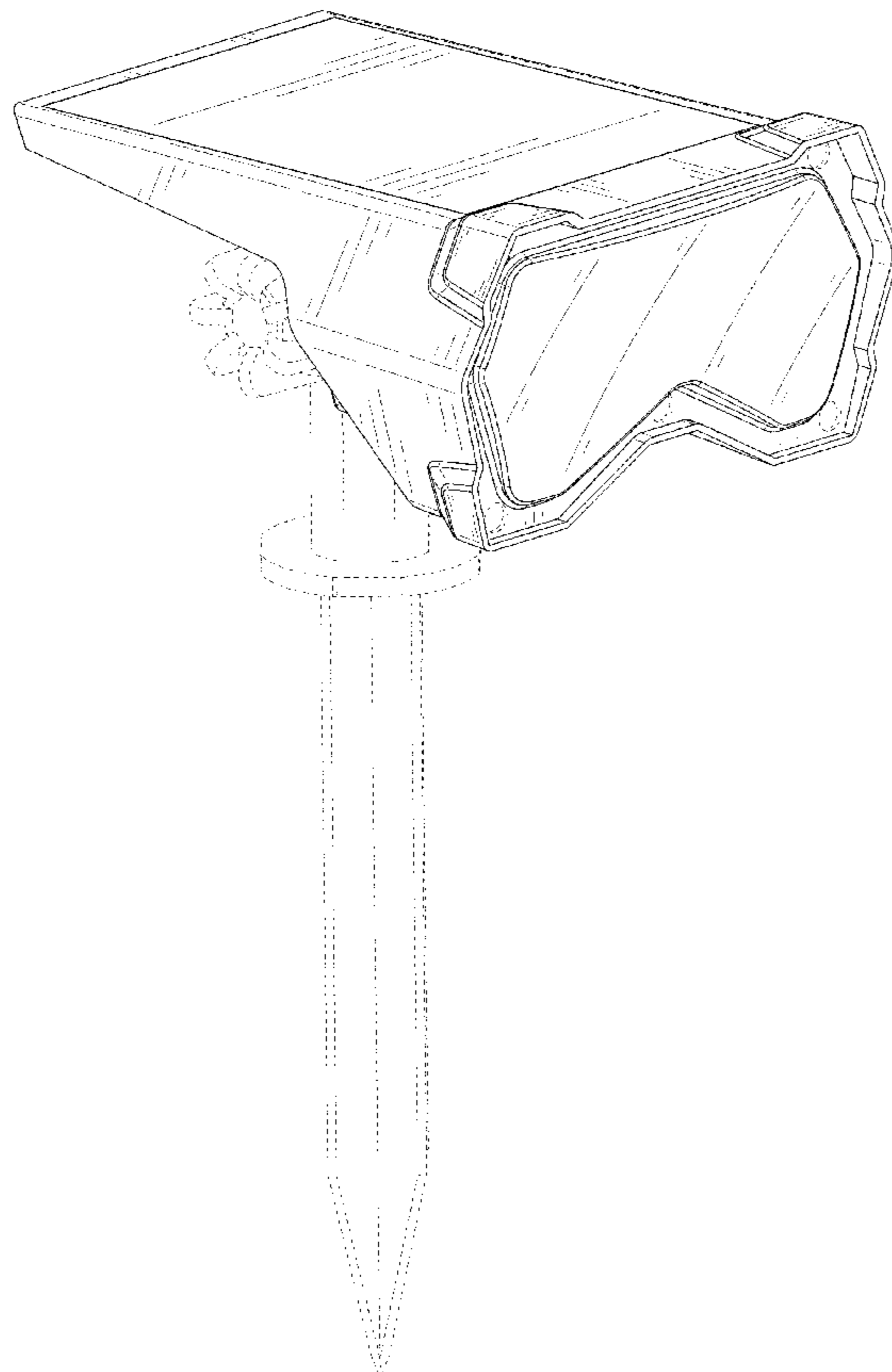
(57) **CLAIM**

The ornamental design for a solar lamp, as shown and described.

**DESCRIPTION**

FIG. 1 is a perspective view of a solar lamp showing my new design;  
FIG. 2 is another perspective view thereof;  
FIG. 3 is a front elevational view thereof;  
FIG. 4 is a rear elevational view thereof;  
FIG. 5 is a left side elevational view thereof;  
FIG. 6 is a right side elevational view thereof;  
FIG. 7 is a top plan view thereof;  
FIG. 8 is a bottom plan view thereof; and,  
FIG. 9 is an enlarged view of portion 9 shown in FIG. 2.  
The broken lines in the drawings depict portions of the solar lamp that form no part of the claimed design.

**1 Claim, 9 Drawing Sheets**



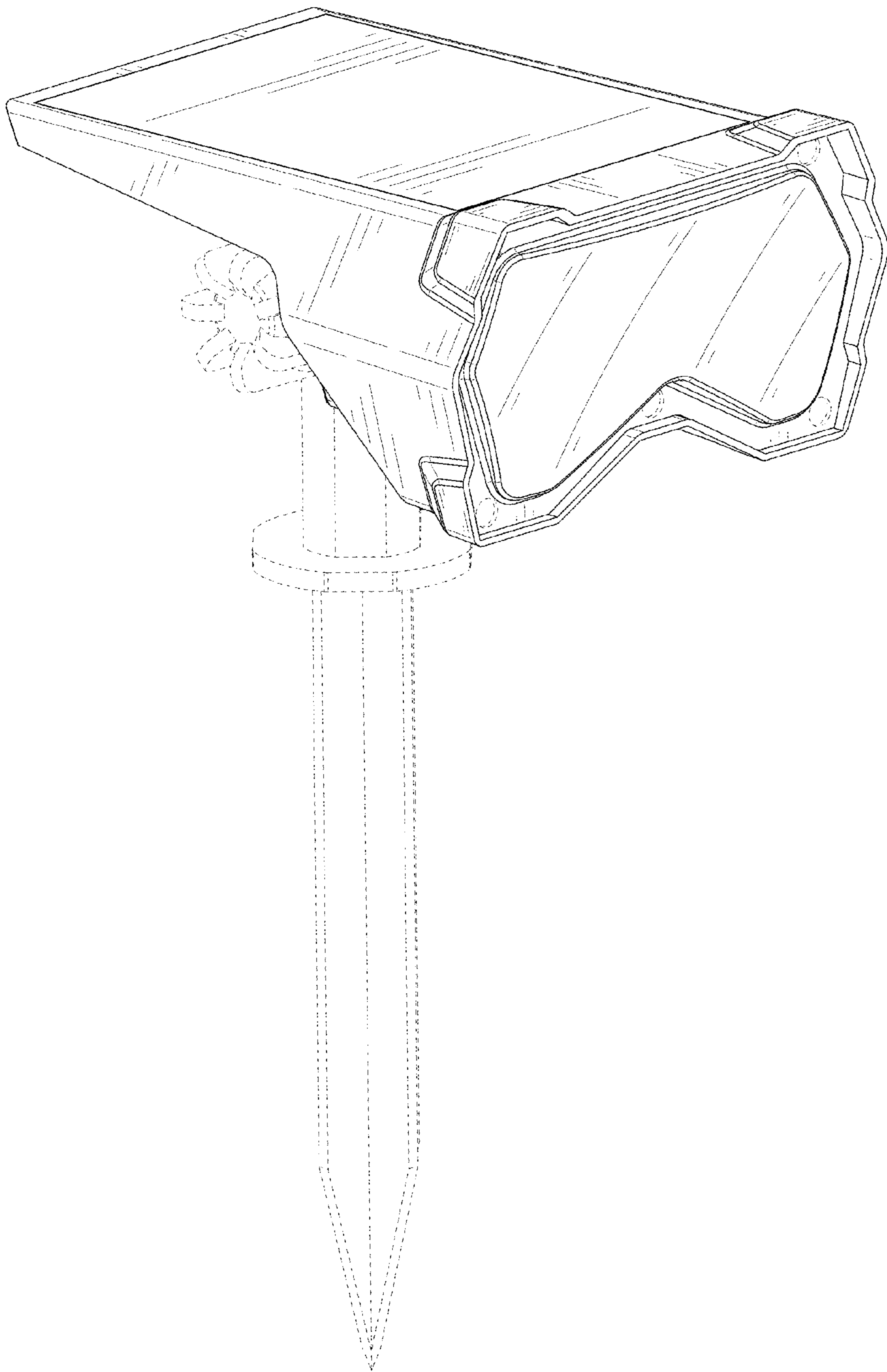


FIG. 1

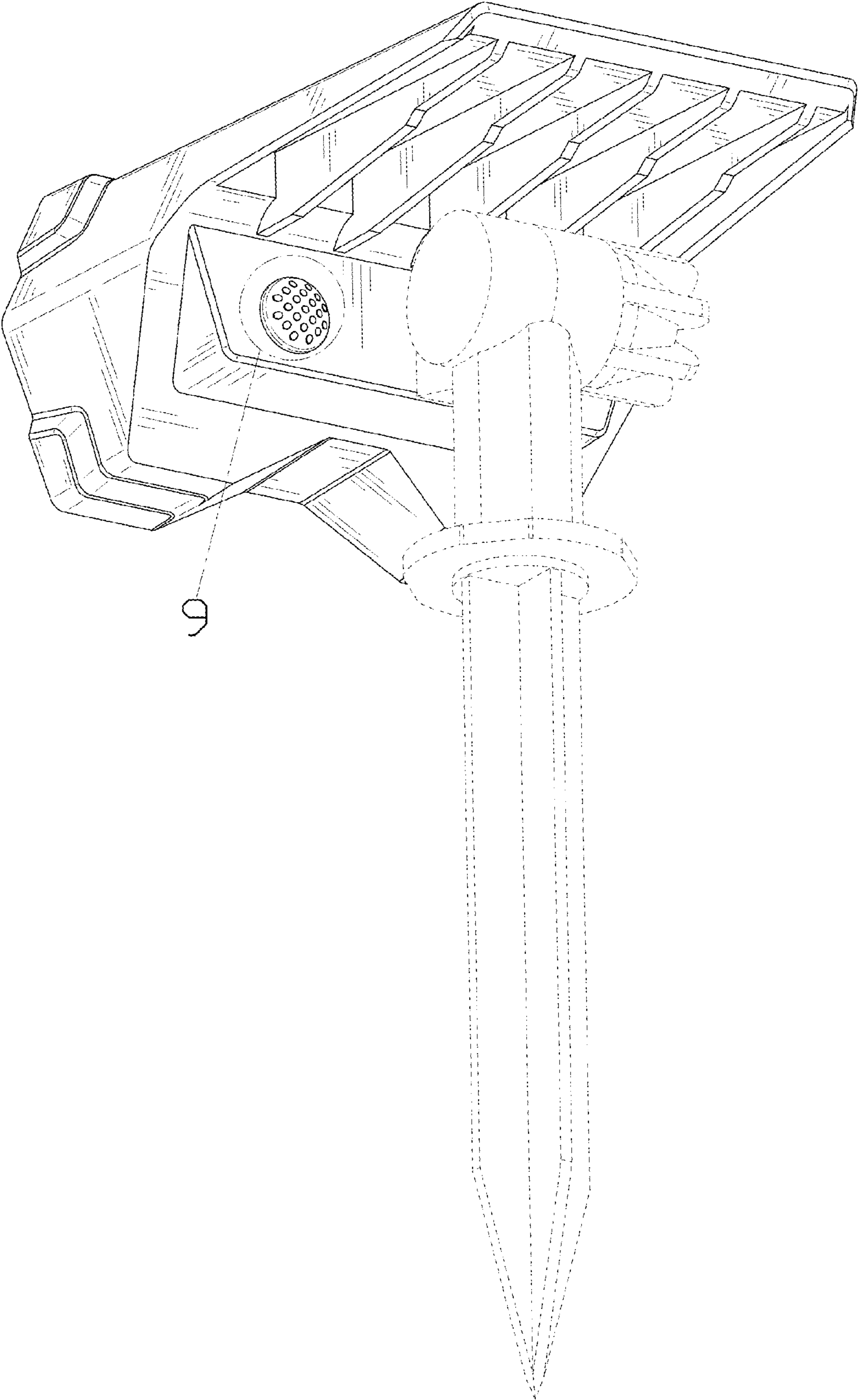


FIG. 2

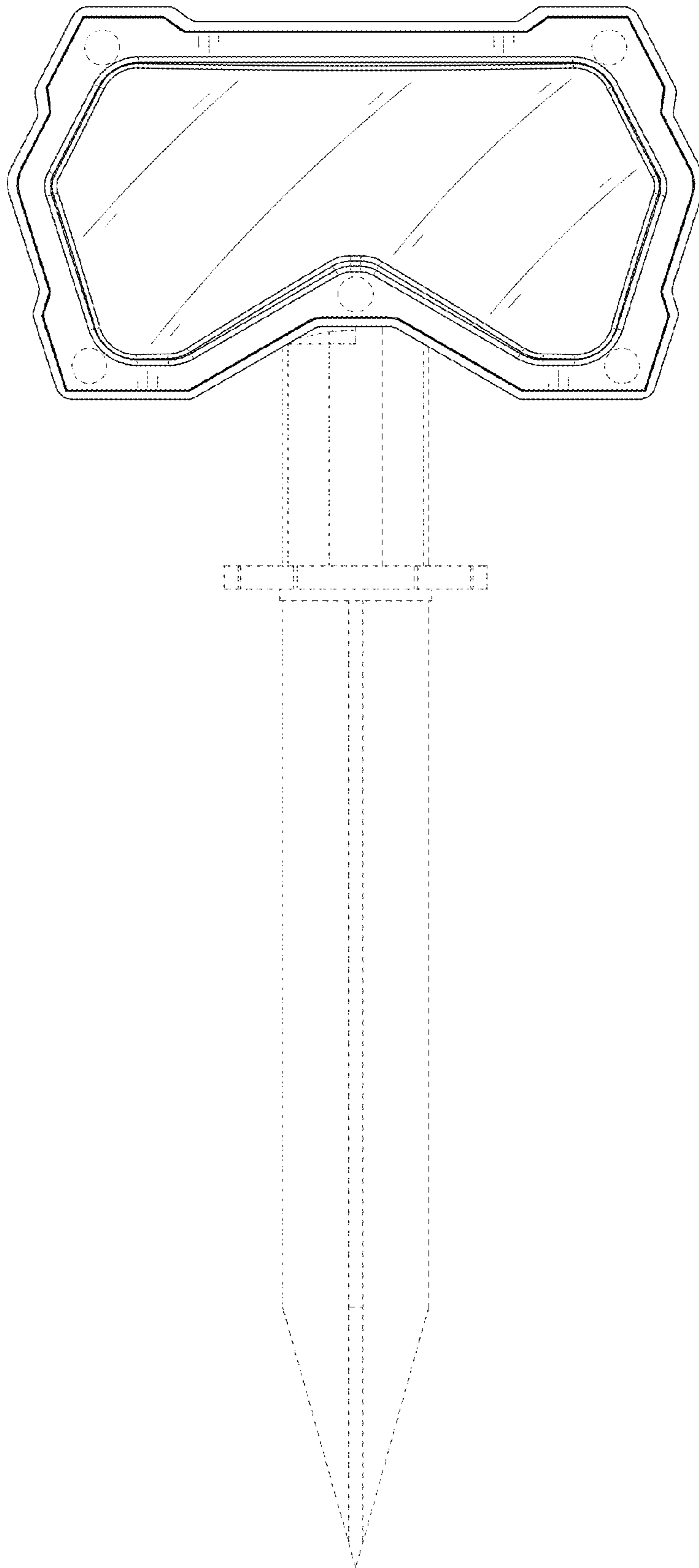


FIG. 3

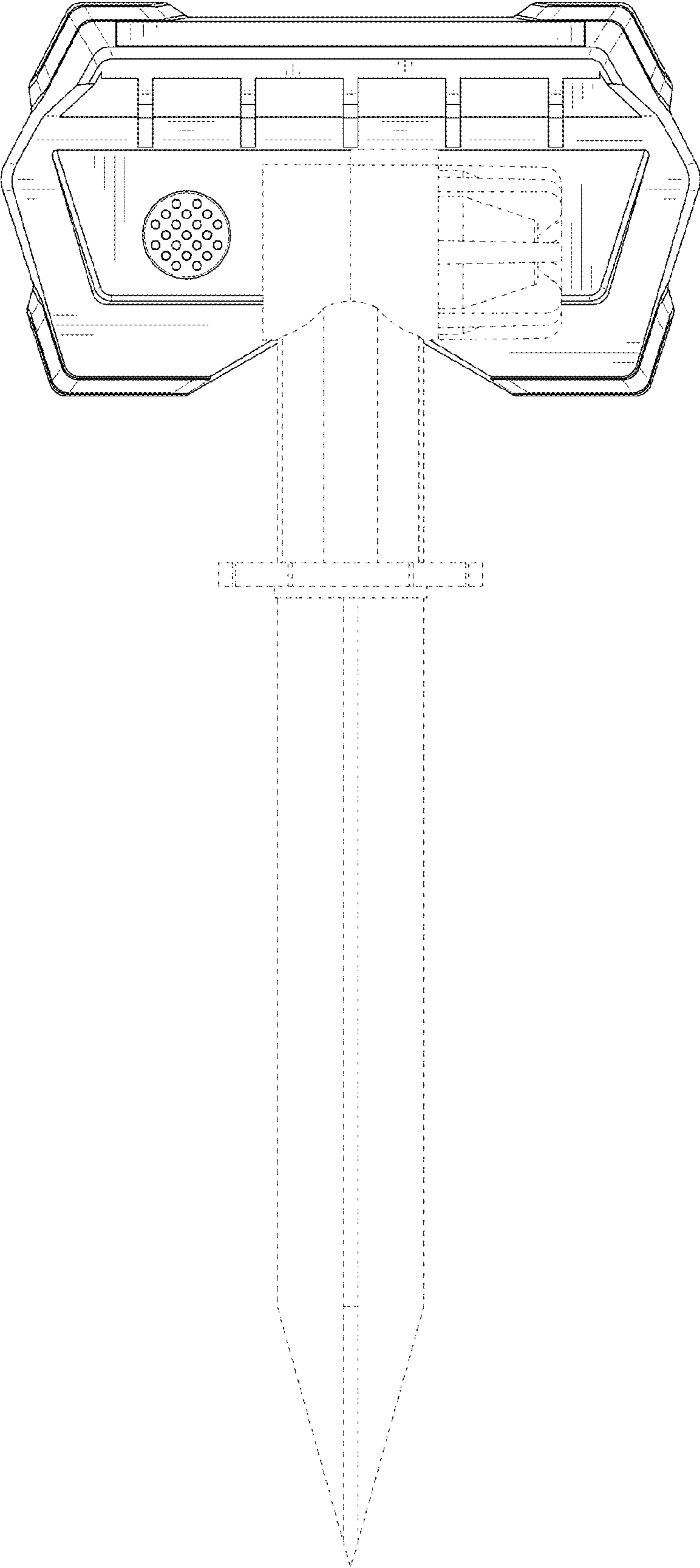


FIG. 4

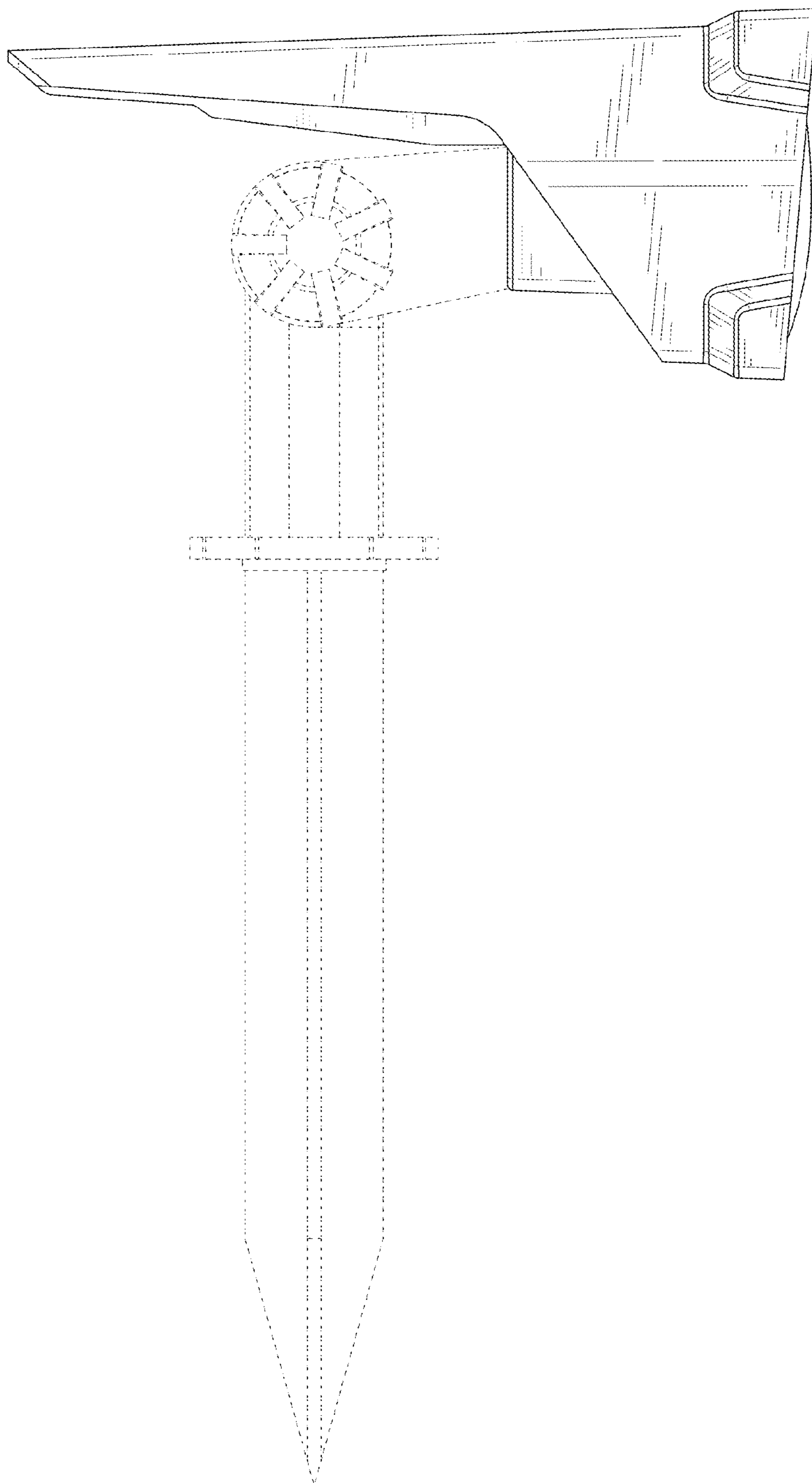


FIG. 5

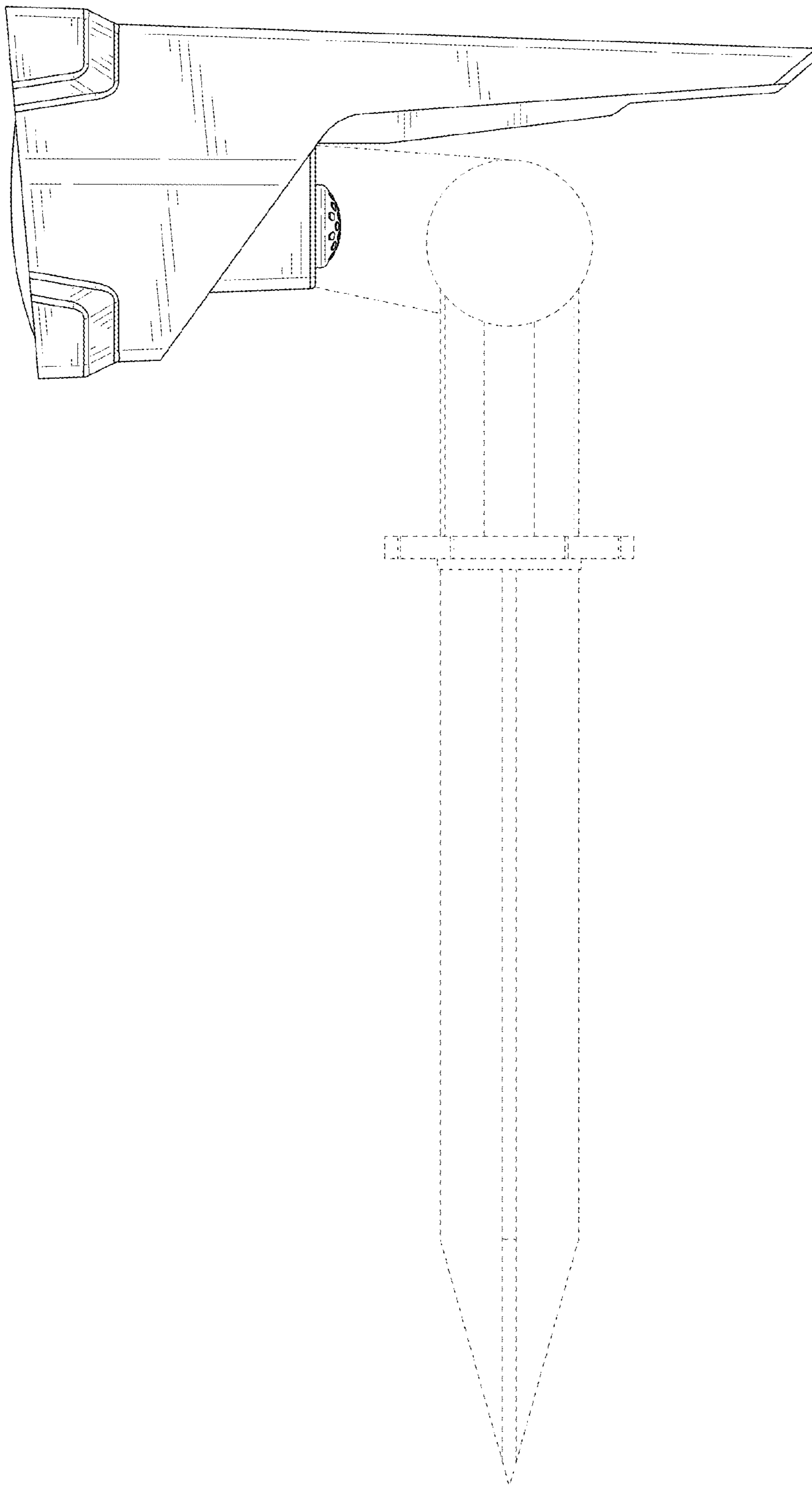


FIG. 6

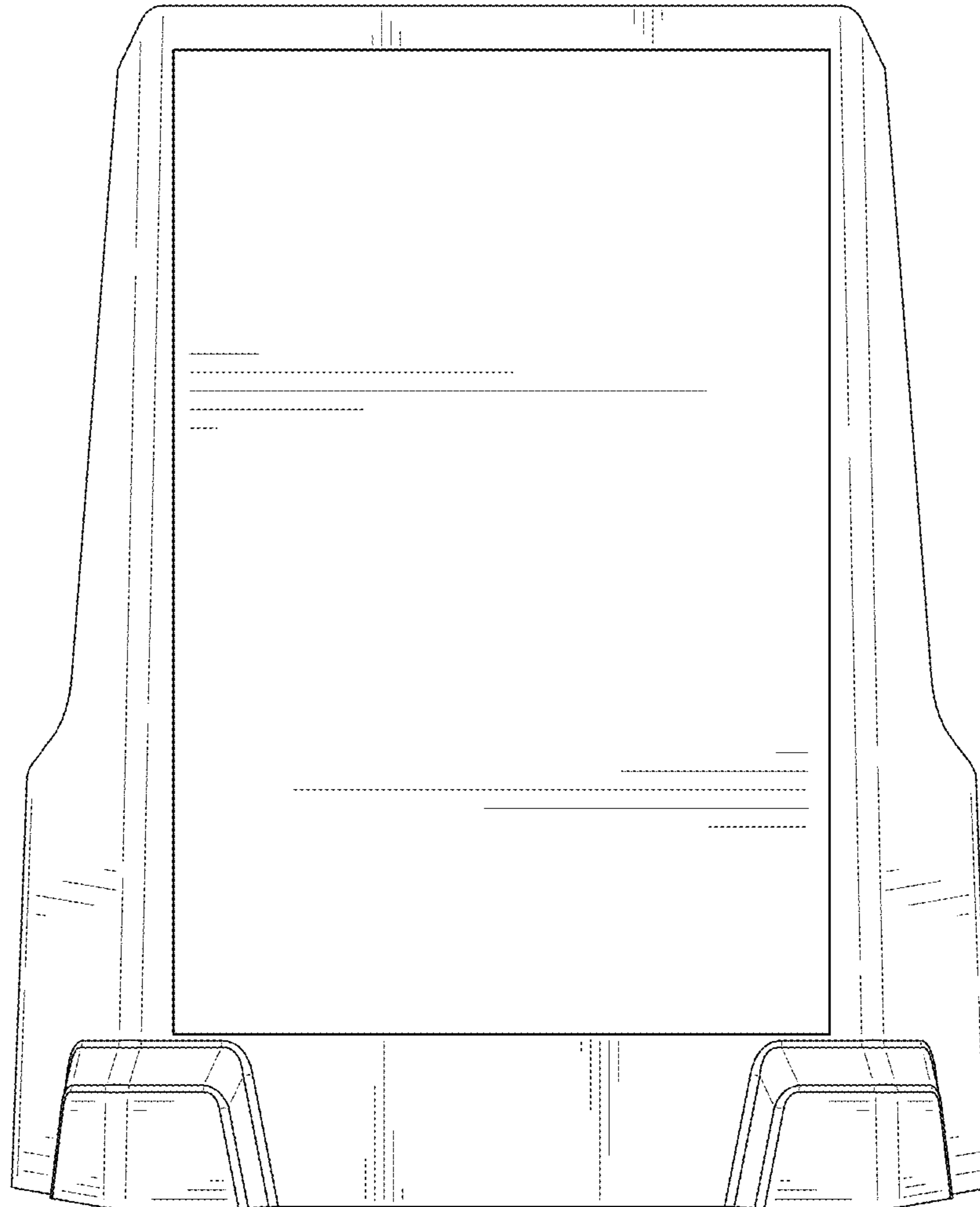


FIG. 7



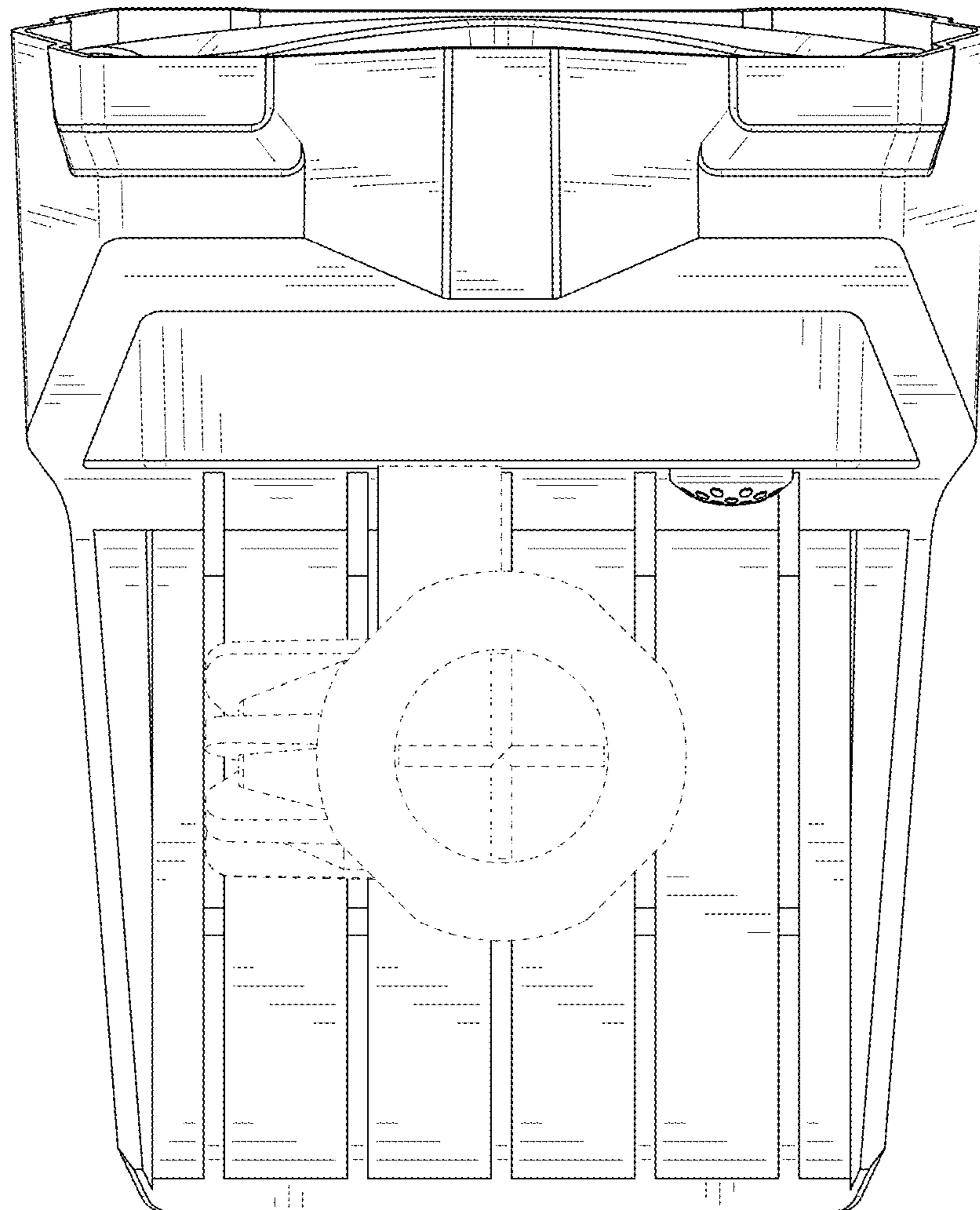


FIG. 8

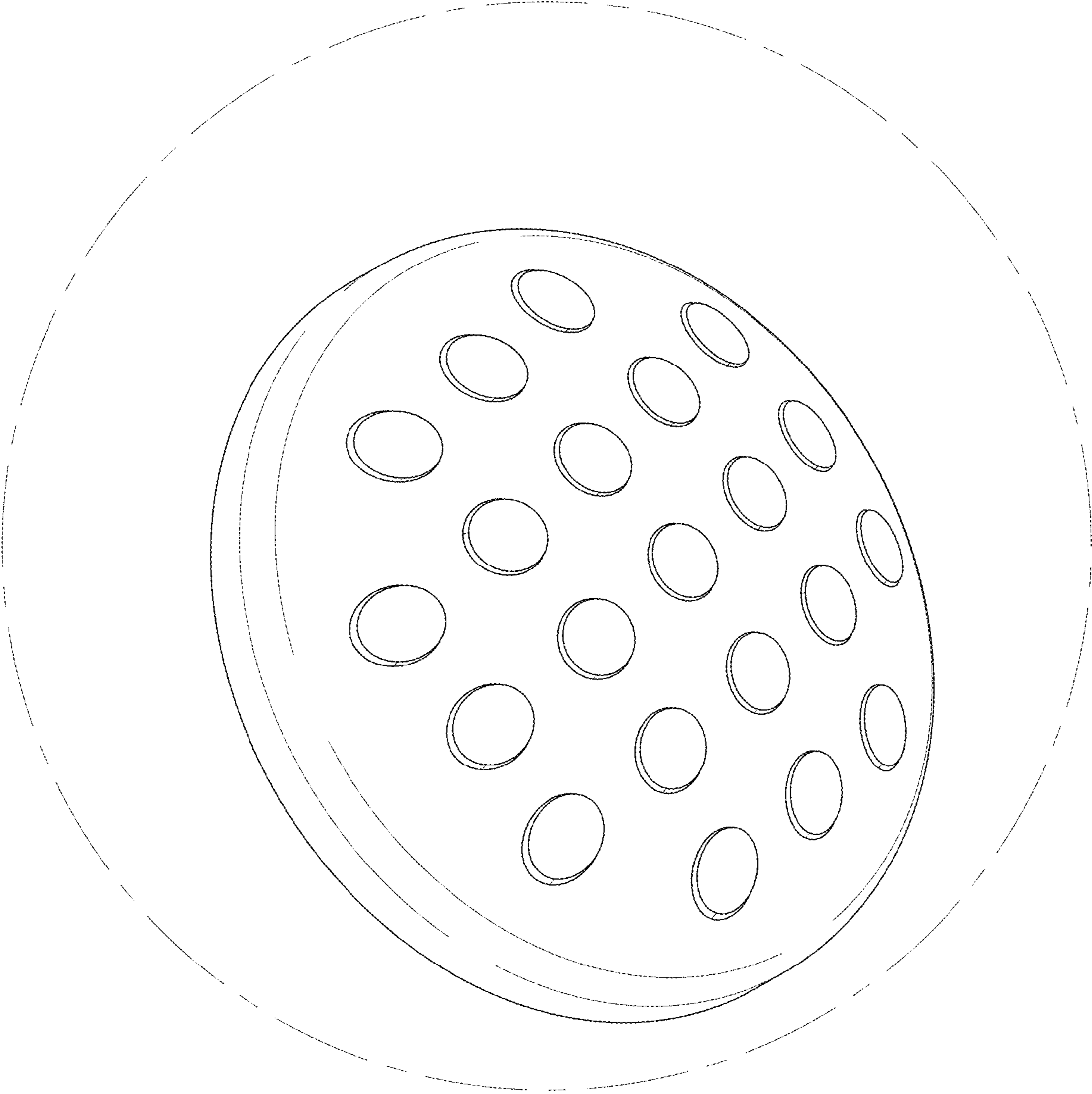


FIG. 9